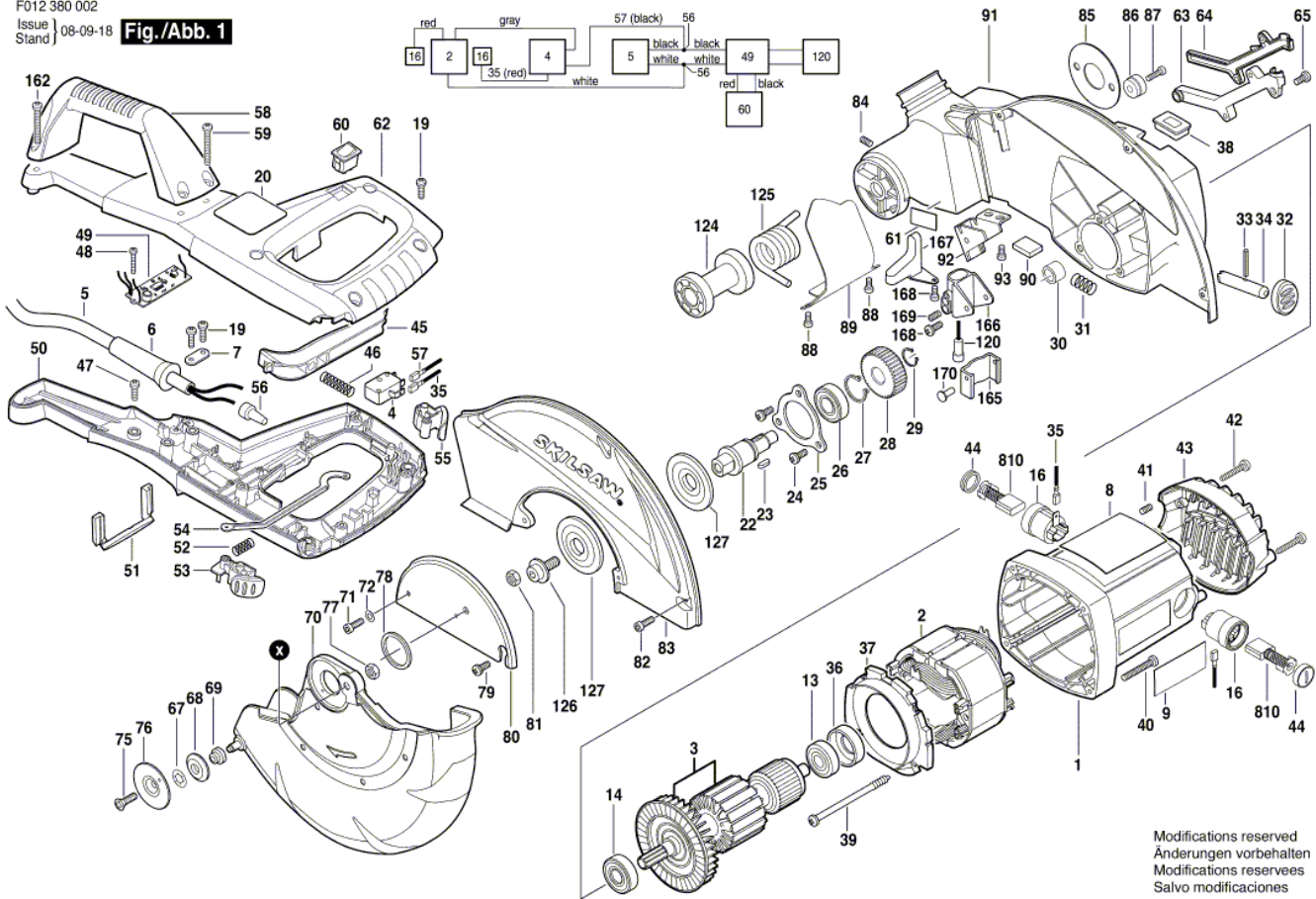




F012 380 002  
Issue 08-09-18  
Stand

**Fig./Abb. 1**

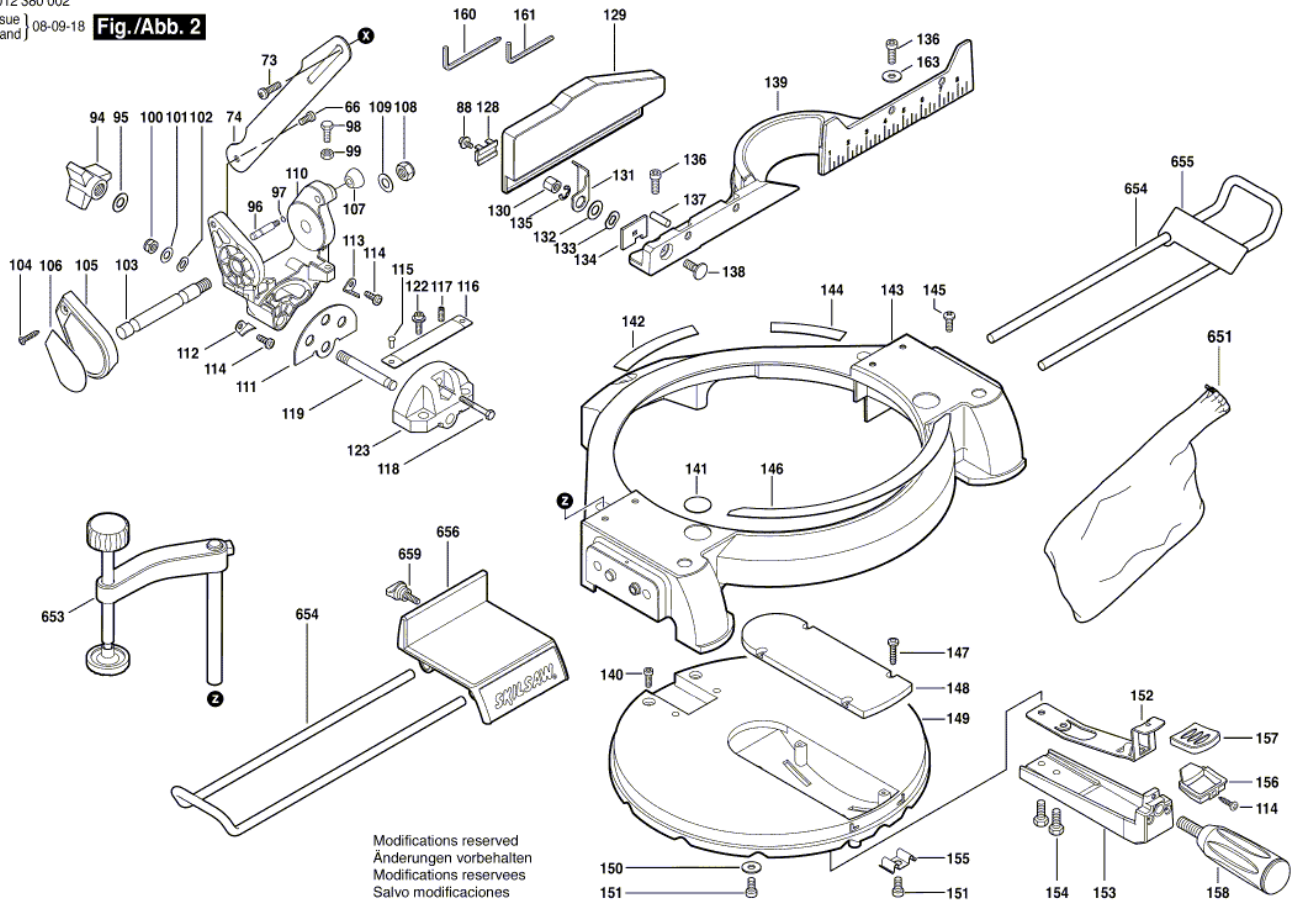


Modifications reserved  
Änderungen vorbehalten  
Modifications reserves  
Salvo modificaciones



F012 380 002  
Issue 08-09-18  
Stand

**Fig./Abb. 2**



Modifications reserved  
Änderungen vorbehalten  
Modifications reserves  
Salvo modificaciones



Pos.	Part Number	Description	Pos.	Part Number	Description
1	2 610 946 115	MOTOR HOUSING	66	2 610 946 166	SCREW
2	2 610 946 116	FIELD	67	2 610 990 521	SPRING RETAINING RING
3	2 610 946 117	ARMATURE	68	2 610 990 518	ROLLER
4	2 610 946 118	MAINS SWITCH	69	2 610 990 522	BEARING
5	2 610 946 119	CORD	70	2 610 946 167	PROTECTION
6	2 610 946 120	GROMMET	71	2 610 946 168	SCREW
7	2 610 946 121	CLAMP	72	2 610 946 169	SPRING WASHER
8	2 610 956 202		73	2 610 946 170	SCREW
9	2 610 946 123	LABEL	74	2 610 946 171	LEVER
13	2 615 302 979	BALL BEARING	75	2 610 946 172	SCREW
14	2 610 946 125	BALL BEARING	76	2 610 946 173	COLLAR
16	2 610 946 126	BRUSH HOLDER	77	2 610 355 332	SQUARE NUT
19	2 610 946 127	SCREW	78	2 610 946 174	SPRING
20	2 610 946 128	WARNING LABEL	79	2 610 355 278	SCREW
22	2 610 946 129	SHAFT	80	2 610 946 175	COVER
23	2 610 946 130	Pin	81	2 615 303 042	NUT
24	2 610 922 625	SCREW	82	2 610 946 176	SCREW
25	2 610 946 131	PLATE	83	2 610 946 177	COVER
26	2 610 946 132	BALL BEARING	84	2 610 946 178	SCREW
27	2 610 946 133	RETAINING CLIP	85	2 610 946 179	SHIM
28	2 610 946 134	CONVERSION GEAR	86	2 610 946 180	BUSHING
29	2 610 946 135	RETAINING CLIP	87	2 610 946 181	TRUNNION
30	2 610 946 136	NEEDLE-ROLLER BEARING	88	2 610 946 182	SCREW
31	2 610 910 770	SPRING	89	2 610 946 183	COVER
32	2 610 946 137	COVER	90	2 610 946 184	PAD
33	2 610 946 138	Pin	91	2 610 946 185	PIVOTING BLADE GUARD
34	2 610 946 139	LOCKING PIN	92	2 610 001 550	
35	2 610 946 140	LEAD WIRE	93	2 615 303 040	SCREW
36	2 610 946 141	RUBBER BUSHING	94	2 610 001 551	
37	2 610 946 142	BAFFLE	95	2 610 946 189	WASHER
38	2 610 946 143	GROMMET	96	2 610 946 190	Pin
39	2 610 946 144	SCREW	97	2 610 946 191	O-RING
40	2 610 946 145	SCREW	98	2 610 946 192	TRUNNION
41	2 610 355 295	SCREW	99	2 610 912 549	HEX NUT
42	2 610 912 552	SCREW	100	2 610 946 193	NUT
43	2 610 946 146	HOUSING COVER	101	2 610 946 194	WASHER
44	2 610 911 487	COVER	102	2 610 355 264	WASHER
45	2 610 946 147	TRIGGER	103	2 610 946 195	SHAFT
46	2 610 910 758	SPRING	104	2 610 946 196	SCREW
47	2 610 946 148	SCREW	105	2 610 946 197	COVER
48	2 610 946 149	SCREW	106	2 610 956 203	
49	2 610 001 742		107	2 610 946 199	KNOB
50	2 610 946 151	HANDLE	108	2 610 946 200	NUT
51	2 610 001 549		109	2 610 946 201	WASHER
52	2 610 946 153	COMPRESSION SPRING	110	2 610 946 202	BRACKET
53	2 610 946 154	BUTTON	111	2 610 946 203	SLIDE PLATE
54	2 610 946 155	LEVER	112	2 610 946 204	POINTER
55	2 610 946 156	BUTTON	113	2 610 946 205	POINTER
56	2 610 946 157	TERMINAL	114	2 610 911 466	SCREW
57	2 610 946 158	LEAD WIRE	115	2 610 355 300	SCREW
58	2 610 946 159	HANDLE	116	2 610 946 206	SCALE
59	2 610 946 160	SCREW	117	2 610 946 207	SCREW
60	2 610 946 161	MAINS SWITCH	118	2 610 946 208	TRUNNION
61	2 610 946 162	WARNING LABEL	119	2 610 946 209	PIVOT SHAFT
62	2 610 946 163	HANDLE	120	2 610 956 204	
63	2 610 946 164	HOUSING HALF	122	2 610 946 212	SCREW
64	2 610 946 165	HOUSING HALF	123	2 610 946 213	SUPPORT
65	2 610 946 187	SCREW	124	2 610 946 214	SLEEVE



Pos.	Part Number	Description	Pos.	Part Number	Description
125	2 610 001 552				
126	2 610 946 216	TRUNNION			
127	2 610 946 217	FLANGE			
128	2 610 946 218	HOLDER			
129	2 610 946 219	SLIDING PLATE			
130	2 610 967 439	NUT			
131	2 610 946 220	LEVER			
132	2 610 946 221	WASHER			
133	2 610 358 439	PLAIN WASHER			
134	2 610 946 222	PLATE			
135	2 610 967 438	SPRING RETAINING RING			
136	2 610 946 223	TRUNNION			
137	2 610 946 224	Pin			
138	2 610 992 372	STUD BOLT			
139	2 610 946 225	MITRE FENCE			
140	2 610 946 226	SCREW			
141	2 610 946 227	WARNING LABEL			
142	2 610 946 228	WARNING LABEL			
143	2 610 946 229	BASE			
144	2 610 946 230	WARNING LABEL			
145	2 610 946 231	SCREW			
146	2 610 946 232	SCALE			
147	2 610 946 233	SCREW			
148	2 610 946 234	INSERT			
149	2 610 946 235	TABLE			
150	2 610 946 236	WASHER			
151	2 610 946 237	SCREW			
152	2 610 946 238	SPRING			
153	2 610 946 239	ARM BRACKET			
154	2 610 922 091	SCREW			
155	2 610 946 240	PLATE			
156	2 610 946 241	INDICATOR			
157	2 610 946 242	SLEEVE			
158	2 610 946 243	HANDLE			
160	2 610 946 245	HEXAGON SOCKET WRENCH			
161	2 615 303 046	HEXAGON SOCKET WRENCH			
162	2 610 946 246	SCREW			
163	2 610 302 311	WASHER			
165	2 610 001 553				
166	2 610 001 554				
167	2 610 001 555				
168	2 610 001 652				
169	2 610 001 653				
170	2 610 001 741				
651	2 610 944 564	DUST BAG			
653	2 610 944 566	CLAMP			
654	2 610 944 567	EXTENSION SHAFT			
655	2 610 944 568	STOP BLOCK			
656	2 610 944 569	TABLE			
659	2 610 944 572	KNOB			
810	2 610 993 231	CARBON-BRUSH SET			