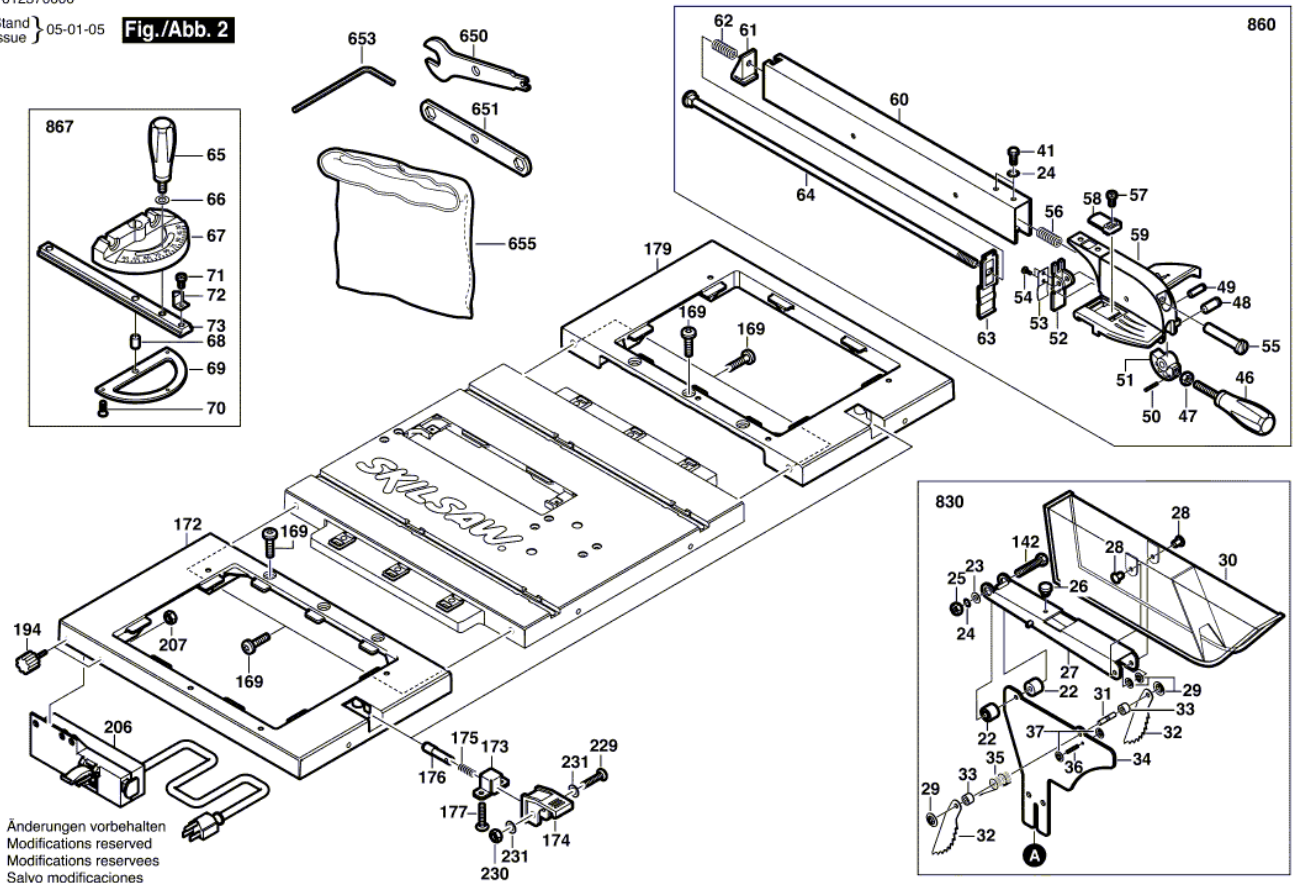


F012370000

Stand } 05-01-05
 Issue }

Fig./Abb. 2

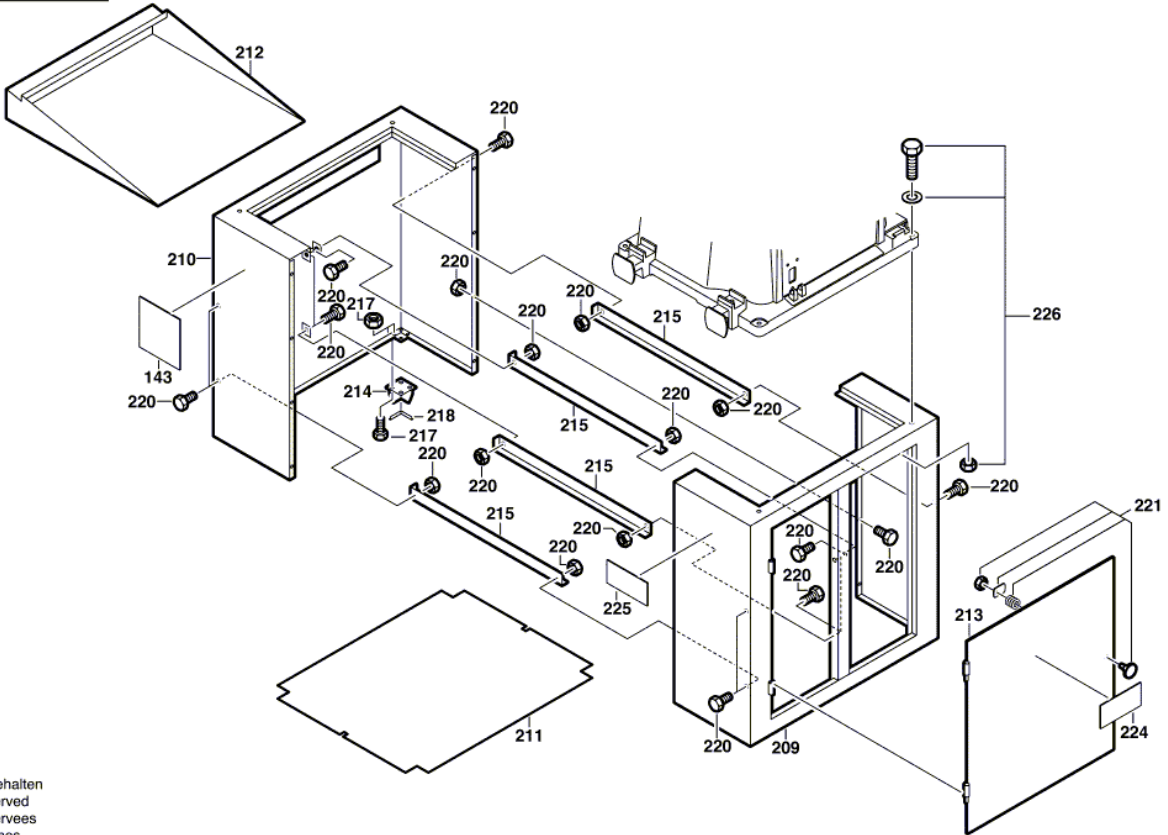


Änderungen vorbehalten
 Modifications reserved
 Modifications reserves
 Salvo modificaciones

F012370000

Stand 05-01-05
Issue J

Fig./Abb. 4



Änderungen vorbehalten
Modifications reserved
Modifications reserves
Salvo modificaciones

Pos.	Part Number	Description	Pos.	Part Number	Description
1	2 610 358 924	Motor Housing	68	2 610 358 911	Pin
2	2 610 909 424	Field	69	2 610 358 913	Sliding Piece
3	2 610 905 924	Armature	70	2 610 358 832	Screw
4	2 610 912 921	On-Off Switch	71	2 610 990 539	Cyl Head tapping screw
5	2 610 912 922	Power supply cord	72	2 610 913 860	Pointer
6	2 610 358 840	Grommet	73	2 610 912 930	Guide
7	2 610 358 842	Clamp	74	2 610 358 858	Nut
8	2 610 924 568	Nameplate	75	2 610 358 857	Washer
13	2 610 015 747	Deep-Groove Ball Bearing	76	2 610 912 924	Base
14	2 610 017 349	Deep-Groove Ball Bearing	77	2 610 358 914	Shaft
19	2 610 358 841	Hex Screw	78	2 610 358 915	Key
20	2 610 912 925	Reference Plate	79	2 610 015 361	Deep-Groove Ball Bearing
22	2 610 358 803	Spacer	80	2 610 358 916	Spring retaining ring
23	2 610 358 801	Washer	81	2 610 358 920	Screw
24	2 610 358 802	Washer	82	2 610 358 917	Bearing Housing
25	2 610 304 772	Nut	83	2 610 358 918	Bearing Housing
26	2 610 358 804	Backing Pad	84	2 610 358 919	Conversion Gear
27	2 610 905 900	Bracket Holder	85	2 610 358 922	Needle-Roller Bearing
28	2 610 358 806	Pivot Pin	86	2 610 908 278	Gear Housing
29	2 610 358 807	Nut	87	2 610 358 926	Collar bolt
30	2 610 358 800	Pivoting Blade Guard	88	2 610 358 936	Washer
31	2 610 358 811	Pin	89	2 610 358 927	Washer
32	2 610 358 808	Holding Plate	90	2 610 358 928	Screw
33	2 610 358 809	Spacer	91	2 610 351 107	Nut
34	2 610 912 939	Riving Knife	92	2 610 358 937	Rubber Buffer
35	2 610 358 810	Spring	93	2 610 358 935	Housing
36	2 610 358 812	Bolt	94	2 610 358 932	Connector
37	2 610 358 813	Nut	95	2 610 909 438	Cord
38	2 610 947 316	Screw	96	2 610 998 567	Clamp Bushing
39	2 610 910 013	Washer	97	2 610 358 822	Insert
40	2 610 912 936	Connecting Block	98	2 610 358 823	Screw
41	2 610 358 819	Screw	99	2 610 358 824	Nut
42	2 610 912 937	Bracket	100	2 610 358 826	Cross Recessed-Head Screw
43	2 610 912 938	Clamping Plate	101	2 610 358 827	Screw
44	2 610 912 941	Screw	102	2 610 358 828	Screw
45	2 610 998 580	Screw	103	2 610 924 570	Table
46	2 610 924 975	Handle	105	2 610 358 876	Nut
47	2 610 044 563	Nut	106	2 610 358 867	Strap
48	2 610 358 895	Bolt	107	2 610 912 935	Rod
49	2 610 358 896	Pin	108	2 610 903 744	Strap
50	2 610 358 894	Bolt	109	2 610 905 904	Bracket Holder
51	2 610 910 017	Clamping Piece	110	2 610 358 863	Hex Screw
52	2 610 358 890	Lever	111	2 610 358 865	Block
53	2 610 358 891	Clamp	112	2 610 905 908	Cross Recessed-Head Screw
54	2 610 358 892	Cover	113	2 610 358 882	Bolt
55	2 610 947 814	Screw	114	2 610 908 268	Screw
56	2 610 358 899	Spring	115	2 610 908 270	Washer
57	2 610 913 862	Screw	116	2 610 908 271	Tapping Screw
58	2 610 912 927	Pointer	117	2 610 908 269	Support
59	2 610 924 595	Housing	118	2 610 990 544	Motor Bracket
60	2 610 358 888	Housing	119	2 610 910 044	Pan head screw
61	2 610 358 887	Sliding Piece	120	2 610 358 860	Hex Screw
62	2 610 358 886	Spring	121	2 610 908 272	Nut
63	2 610 358 885	Clamp	122	2 610 358 861	Hex Screw
64	2 610 358 884	Rod	123	2 610 358 862	Spacer
65	2 610 912 929	Handle	124	2 610 358 869	Retaining snap ring
66	2 610 358 907	Washer	125	2 610 901 978	Spacer
67	2 610 358 910	Gear Housing	126	2 610 358 874	Pivot Pin

Pos.	Part Number	Description	Pos.	Part Number	Description
127	2 610 358 877	Hex Nut	191	2 610 925 163	Base Plate
128	2 610 358 878	Washer	192	2 610 924 946	Work Board
129	2 610 358 879	Washer	193	2 610 925 197	Knob
130	2 610 358 868	Spring Pin	194	2 610 925 198	Knurled Screw
131	2 610 990 545	Mounting Plate	195	2 610 924 587	Safety Cover
132	2 610 903 733	Spring	196	2 610 924 962	Parts Set
133	2 610 912 932	Handwheel	197	2 610 924 948	Insert
134	2 610 912 933	Knob	198	2 610 924 969	Parts Set
135	2 610 990 547	Pan head screw	199	2 610 924 949	Insert
136	2 610 358 833	Washer	200	2 610 924 970	Parts Set
137	2 610 990 548	Handle	201	2 610 924 601	Insert
138	2 610 358 844	Screw	202	2 610 924 971	Parts Set
139	2 610 910 018	Switch Cover	203	2 610 924 596	Insert
140	2 610 358 831	Clamping Plate	204	2 610 924 594	Reducing Ring
141	2 610 358 846	Rubber Bushing	205	2 610 924 950	Label
142	2 610 702 414	Screw	206	2 610 924 972	Switch Unit
143	2 610 912 934	Reference Plate	207	2 610 924 955	Nut
144	2 610 358 830	Hex Screw	209	2 610 925 002	Cabinet
145	2 610 306 005	Cross Recessed-Head Screw	210	2 610 925 003	Cabinet
146	2 610 026 248	Washer	211	2 610 925 036	Plate
147	2 610 358 881	Pointer	212	2 610 925 004	Dust Chamber
148	2 610 990 549	Deflector Plate	213	2 610 925 005	Door
149	2 610 994 251	Spacer	214	2 610 925 006	Supporting foot
150	2 610 994 252	Carrying Bolt	215	2 610 925 007	Support Rail
152	2 610 924 593	Cover	217	2 610 925 009	Parts Set
153	2 610 905 909	Screw	218	2 610 925 010	Cover
154	2 610 358 904	Spacer	220	2 610 925 038	Parts Set
155	2 610 911 896	Nut	221	2 610 925 039	Handle
156	2 610 912 945	Post	224	2 610 925 164	Label
157	2 610 998 574	Screw	225	2 610 925 165	Label
158	2 610 997 243	Spring retaining ring	226	2 610 925 033	Parts Set
159	2 610 912 946	Label	229	2 610 925 186	Screw
164	2 610 924 571	Scale	230	2 610 925 187	Nut
165	2 610 925 055	Scale	231	2 610 925 188	Washer
166	2 610 924 572	Guide	232	2 610 925 294	Washer
167	2 610 924 590	Guide	233	2 610 925 281	Label
168	2 610 924 973	Connector	234	2 610 925 292	Label
169	2 610 924 582	Trunnion	235	2 610 925 203	Label
170	2 610 924 573	Lcd-Display	236	2 610 925 204	Label
171	2 610 924 966	Sticker	240	2 610 925 437	Trunnion
172	2 610 925 185	Table top	241	2 610 925 439	Washer
173	2 610 924 576	Bracket	242	2 610 911 901	Self-locking nut
174	2 610 924 577	Lever	243	2 610 925 438	Washer
175	2 610 924 578	Spring	650	2 610 912 940	Single-Head Eng. Wrench
176	2 610 924 579	Pin	651	2 610 996 880	Key
177	2 610 921 481	Screw	653	2 610 998 551	Hexagon Socket Screw Key
179	2 610 925 376	Table top	655	2 610 924 967	Dust Bag
180	2 610 924 951	Guide	662	2 610 924 947	Sander Plate
181	2 610 924 584	Wing Nut	810	2 610 909 439	Carbon-Brush Set
182	2 610 924 958	Trunnion	830	2 610 912 944	Pivoting Blade Guard
183	2 610 924 959	Washer	860	2 610 924 965	Guide
184	2 610 924 585	Dust Chamber	867	2 610 912 943	Mitre Gauge
185	2 610 924 960	Screw			
186	2 610 924 961	Nut			
187	2 610 924 963	Washer			
188	2 610 925 000	Label			
189	2 610 925 001	Label			
190	2 610 925 162	Label			