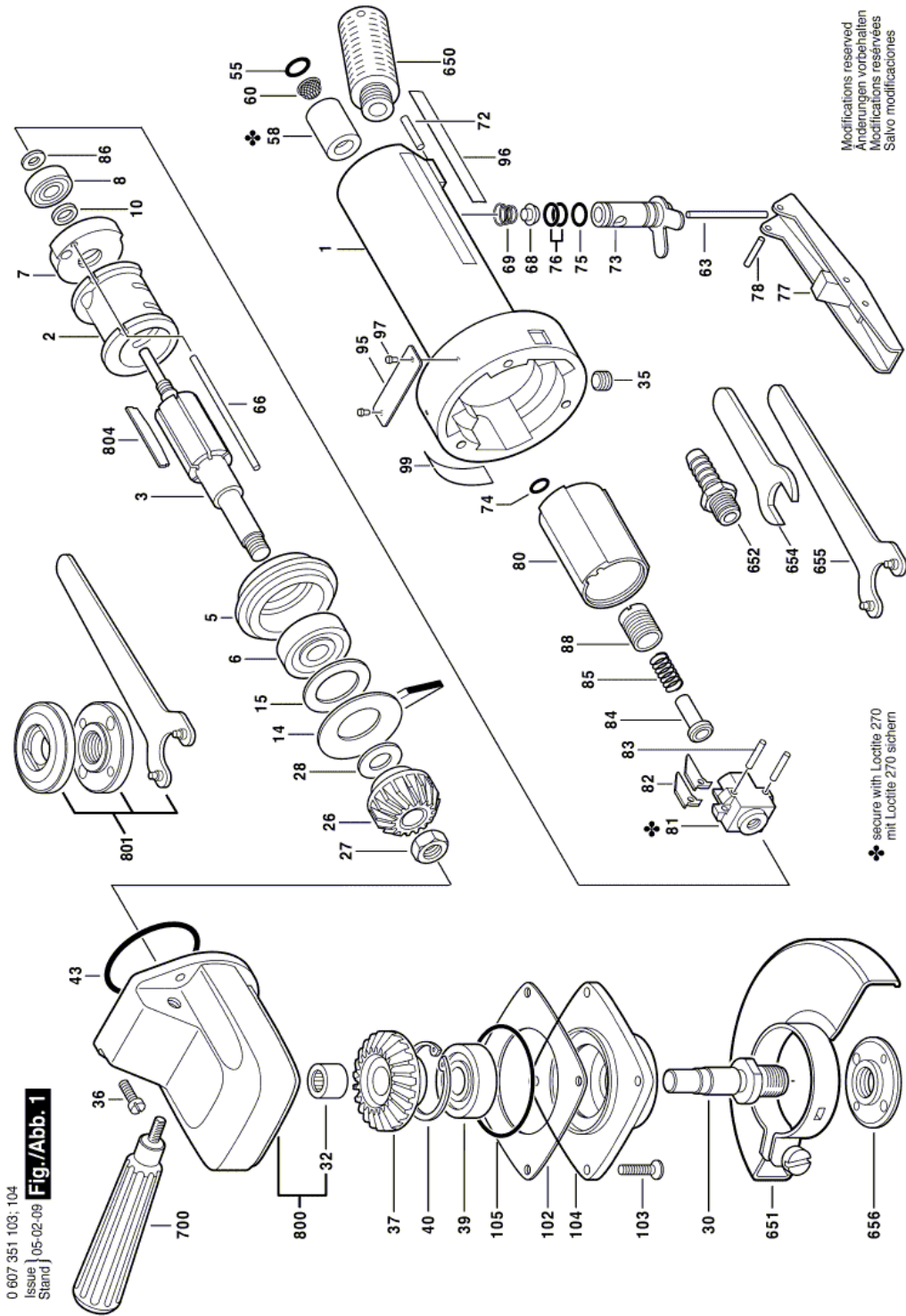


Illustration - Type E



Information subject to change without further notice.

Angle Grinder - 0 607 351 103 - 370 WATT-SERIE

www.powertools-aftersaleservice.com



BOSCH

Item	Part Number	Description	Illustration	Price	Quantity	Price Group
1	3 605 102 033	Motor Housing		-,-	1	-
2	3 604 090 003	Stator 370W		-,-	1	44
3	3 604 220 032	Rotor		-,-	1	50
5	3 605 805 000	Bearing Flange		-,-	1	-
6	3 600 905 023	groove ball bearing		-,-	1	29
7	3 605 700 038	Bearing Flange		-,-	1	-
8	2 600 905 032	groove ball bearing 7x19x6		-,-	1	17
10	2 600 202 014	Spacer Ring		-,-	1	22
14	3 600 150 004	Disc Spring		-,-	1	-
15	3 600 102 009	Shim washer		-,-	1	-
26	3 606 333 027	Toothed Gear Z=17		-,-	1	43
27	1 603 300 017	Hex Nut		-,-	1	12
28	3 600 101 013	Shim		-,-	2	-
28	3 600 101 014	Shim		-,-	2	-
30	1 603 523 086	Grinding Spindle M14		-,-	1	26
32	2 600 910 001	Needle bearing Ø14 MM		-,-	1	16
35	2 912 011 230	Set screw DIN 914-M8x8-45H		-,-	1	-
36	2 910 021 122	Socket head cap screw DIN 84-AM4x12-8.8		-,-	3	10
37	3 606 333 028	Toothed Gear Z=27		-,-	1	43
39	1 600 905 006	groove ball bearing 12x32x10		-,-	1	24
40	2 916 660 013	Spring retaining ring DIN 472-32x1,2 MM		-,-	1	11
43	1 900 210 142	O-Ring 40x2,5MM		-,-	1	14
55	1 900 210 306	O-Ring 10x2 MM		-,-	1	10
58	3 603 373 000	Fitting		-,-	1	-
60	3 600 002 000	Strainer		-,-	1	13
63	3 603 201 040	Straight Pin		-,-	1	-
66	3 604 710 034	Straight Pin		-,-	1	-
68	3 603 212 000	Valve Cone		-,-	1	12
69	3 604 643 003	Compression Spring		-,-	1	11
72	3 604 710 050	Straight Pin		-,-	1	-
73	3 600 390 009	Valve bottom		-,-	1	25
74	3 607 010 000	Parts Set 10 PIECE		-,-	1	16
75	3 607 010 000	Parts Set 10 PIECE		-,-	1	16

Item	Part Number	Description	Illustration	Price	Quantity	Price Group
76	3 607 010 023	Parts Set 10 PIECE	1	-,-	2	14
77	3 601 902 003	Control Lever	1	-,-	1	38
78	2 917 700 040	Grooved Pin DIN 1475-2x18-ST	1	-,-	1	11
80	3 605 190 063	Valve Housing	1	-,-	1	30
81	3 602 125 000	Flyweight Carrier	1	-,-	1	32
82	3 602 190 004	Flyweight	1	-,-	4	12
83	1 903 201 002	Needle Roller A 2x11,8G2DIN5402	1	-,-	2	10
84	3 600 322 000	Control Sleeve	1	-,-	1	27
85	3 604 613 000	Compression Spring	1	-,-	1	14
86	2 600 100 570	Shim 0,3 MM	1	-,-	1	11
88	3 600 361 000	Threaded Bushing	1	-,-	1	14
95	3 601 100 001	Nameplate 26x42 MM	1	-,-	1	11
96	1 601 110 481	Manufacturer's nameplate SHADOW SIDE	1	-,-	2	11
97	3 603 133 000	Grooved Nail	1	-,-	2	11
99	3 601 119 236	Reference Plate	1	-,-	1	15
102	2 600 136 002	Shim 0,1 MM	1	-,-	2	11
102	2 600 136 003	Shim 0,2 MM	1	-,-	2	-
103	2 910 771 126	Countersunk-Head Screw M 4x16 DIN 963-5.8	1	-,-	4	10
104	3 605 805 001	Bearing Flange	1	-,-	1	-
105	2 600 210 002	O-Ring 45,7x1,5 MM	1	-,-	1	-
650	3 607 000 074	Silencer	1	-,-	1	30
651	2 605 510 125	Protective Cover Ø 115 MM(4 1/2")	1	-,-	1	32
651	1 605 510 201	Protective Cover Ø 115 MM	1	-,-	1	28
652	2 603 386 002	Hose fitting	1	-,-	1	17
654	2 607 950 511	Single-Head Eng. Wrench SW17	1	-,-	1	15
655	1 607 950 052	Pin-Type Face-Wrench	1	-,-	1	15
656	1 603 340 015	Round Nut M14	1	-,-	2	-
700	2 602 025 006	Auxiliary Handle M6	1	-,-	1	-
800	2 605 806 968	Gear Housing	1	-,-	1	-
801	1 607 000 158	Parts Set	1	-,-	1	-
804	3 607 030 249	Assembly Of Service Parts	1	-,-	1	31