

## Cordless Screw Driver - 3 601 H60 312 - 36618

www.powertools-aftersaleservice.com



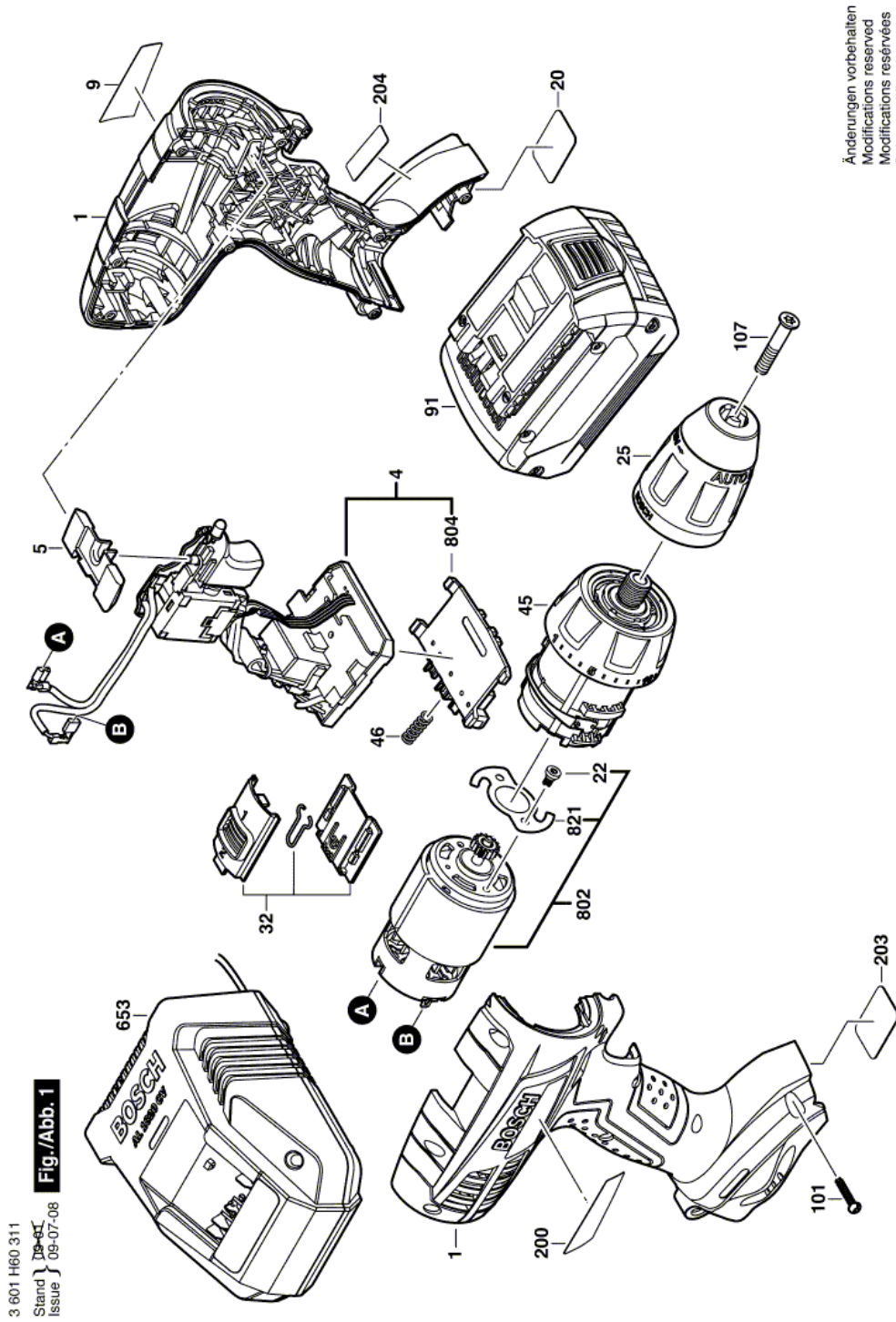
**BOSCH**

Item	Part Number	Description	Illustration	Price	Quantity	Price Group
1	2 605 105 134	Housing Section BLUE	1	-,-	1	31
4	1 607 233 302	Electronics Module	1	-,-	1	44
5	2 601 099 188	Adjusting Slide	1	-,-	1	12
9	2 601 115 609	Manufacturer's nameplate	1	-,-	1	15
20	2 609 132 033	Nameplate	1	-,-	1	13
22	2 609 110 634	Screw	1	-,-	1	10
25	2 608 572 251	Keyless Chuck 13 MM	1	-,-	1	40
32	2 601 099 189	Adjusting Slide RED	1	-,-	1	17
45	2 606 200 263	Planetary Gear Train	1	-,-	1	42
46	2 604 690 055	Compression Spring	1	-,-	1	10
91	2 607 336 093	Battery Set 18V, 2,6Ah, LI, MS	1	-,-	1	52
91	2 607 336 189	Slide-In Accu Package 18V, 1,3Ah, LI, MS	1	-,-	1	48
101	2 609 110 201	Torx Flat-Head Screw 3x16	1	-,-	11	10
107	2 609 110 635	Pan head screw M 6x30	1	-,-	1	11
200	2 601 115 571	Warning Plate	1	-,-	1	13
203	2 609 131 694	Reference Plate	1	-,-	1	13
204	2 601 115 574	Warning Plate	1	-,-	1	13
653	2 607 225 327	Charger USA 120/10,8-18V, 30 MIN	1	-,-	1	49
653	2 607 225 429	Fast Charger USA 120/10,8-18V, 1h	1	-,-	1	41
802	2 607 022 832	DC motor 18V	1	-,-	1	43
804	1 609 280 478	Contact retainer	1	-,-	1	26
821	2 609 110 633	Tab Washer	1	-,-	1	11

## Product information Cordless Screw Driver - 3 601 H60 312 - 36618

Product No	3 601 H60 312
Description	251.178; Cordless Screw Driver
DIN-Text	
ID_Text_Ext	0
Trading_Description	36618
Voltage_1	18 V
ID_Country_Product	USA

Illustration - Type E



Änderungen vorbehalten  
 Modifications reserved  
 Modifications réservées  
 Salvo modificaciones

3 601 H60 311  
 Stand } 20-8-07  
 Issue } 09-07-08  
**Fig./Abb. 1**

Information subject to change without further notice.