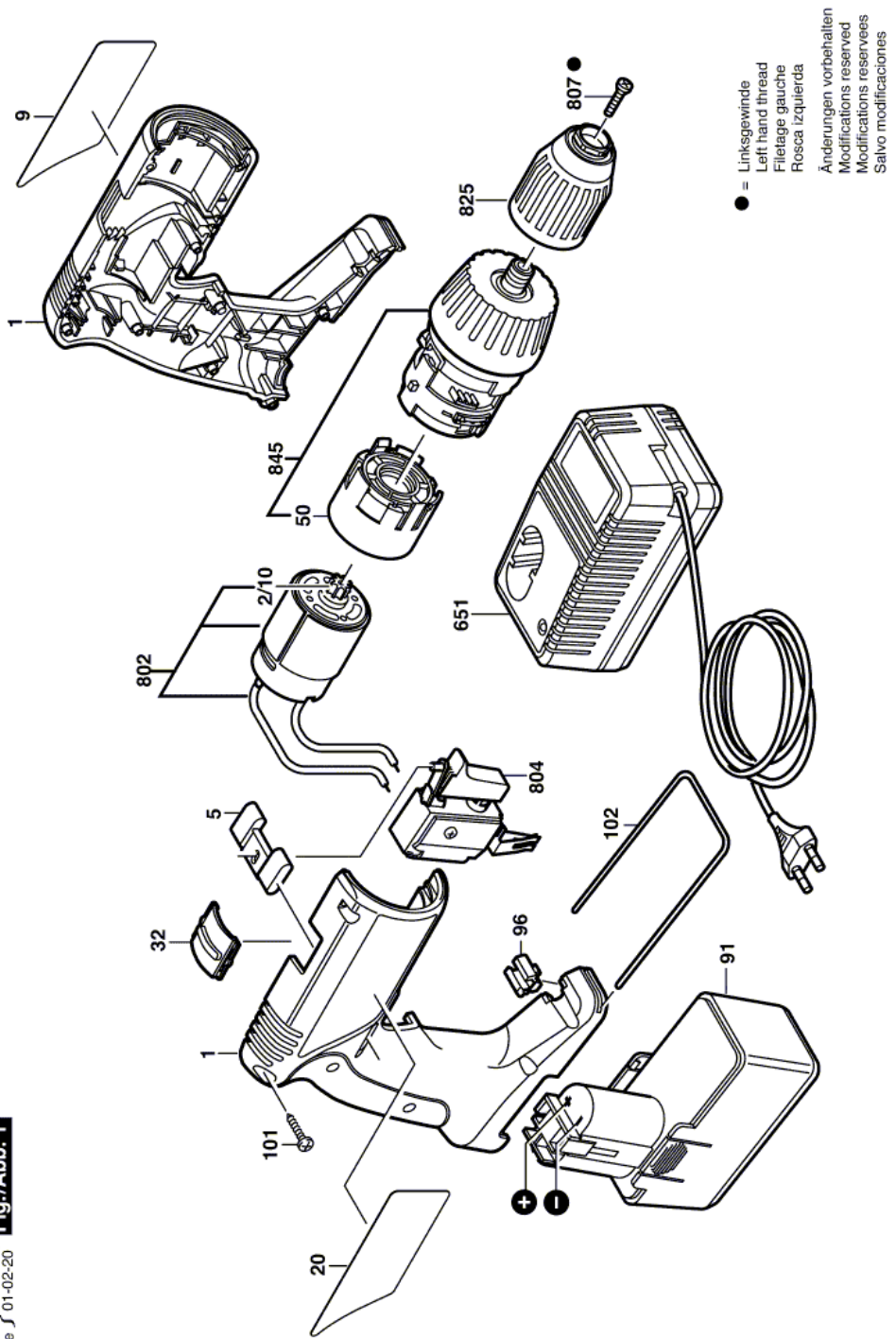


11.08.2015 |

Cordless Drill Driver - 0 601 946 460 - 3655

Item	Part Number	Description	Illustration	Price	Quantity	Price Group
1	2 605 104 628	Housing Section BLUE	1	-,-	1	27
2/10	2 606 316 182	Pinion	1	-,-	1	11
5	2 601 099 082	Adjusting Slide RED	1	-,-	1	11
9	2 610 995 417	Label	1	-,-	1	-
20	2 610 995 416	Nameplate	1	-,-	1	-
32	2 601 099 078	Adjusting Slide BLACK	1	-,-	1	11
50	2 605 719 027	Intermediate Flange	1	-,-	1	13
91	2 607 335 156	Accumulator Battery 14,4V,2,0Ah,NiCd	1	-,-	1	45
96	2 608 040 131	Support	1	-,-	1	12
101	2 603 490 018	Torx Oval-Head Screw 3x18	1	-,-	8	10
102	2 601 329 041	Retaining Bracket	1	-,-	1	11
651	2 607 224 431	Fast Charger USA 120/7,2-24V, 1h	1	-,-	1	48
802	2 607 022 982	DC motor 14,4V	1	-,-	1	37
804	2 607 200 353	On-Off Switch	1	-,-	1	39
807	2 610 908 940	Screw	1	-,-	1	-
825	2 610 991 210	Keyless Chuck	1	-,-	1	-
845	2 606 200 908	Planetary Gear Train	1	-,-	1	41

Illustration - Type E



0 601 946 460
 Stand }
 Issue } 01-02-20
Fig./Abb. 1

Information subject to change without further notice.