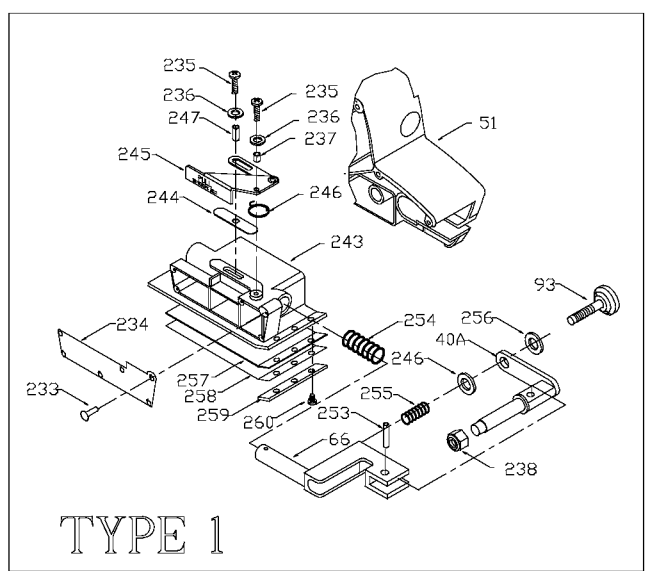
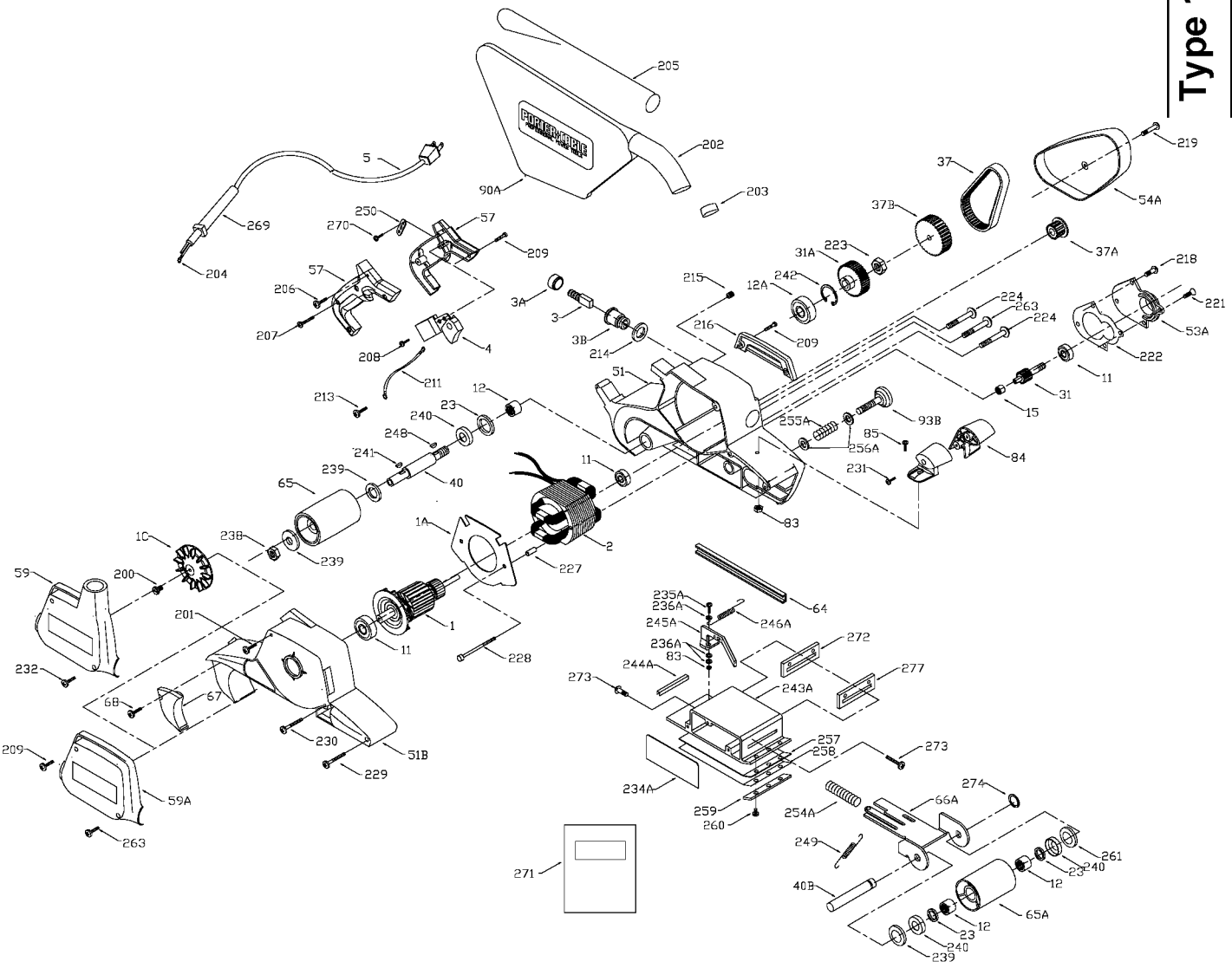


PORTER-CABLE BELT SANDERS

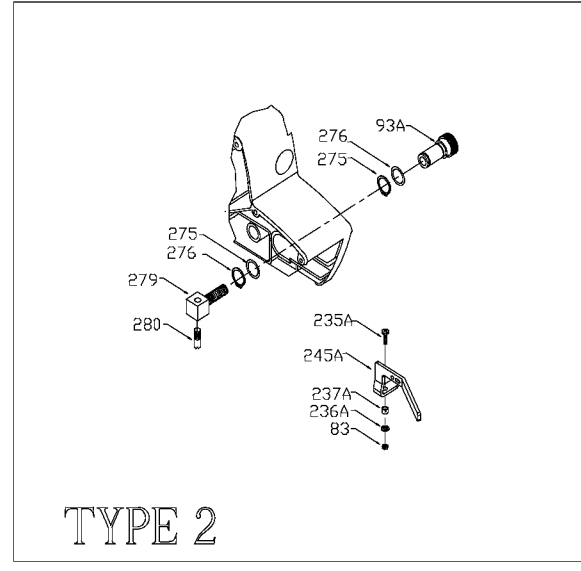
trained repairmen. Contact the nearest Porter-Cable Service Center or other competent repair center.

Type 1, 2, 3,

361
362
363



TYPE 1



TYPE 2

Parts List for 361 Type 2

| Item Number | Part Number | Description | Qty Required |
|-------------|-------------|---------------------|--------------|
| 1 | 860973 | ARMATURE 115V | 1 |
| 1 | 881026 | ARMATURE | 1 |
| 1 | 845948 | BAFFLE | 1 |
| 2 | 000000-00 | No Longer Available | 1 |
| 2 | 860972 | FIELD 115V | 1 |
| 3 | N031635 | BRUSH & SPRING | 2 |
| 3 | 803483 | BRUSH CAP | 2 |
| 3 | 873497 | BRUSH HOLDER | 2 |
| 4 | 876770 | SWITCH | 1 |
| 5 | 875863 | CORD | 1 |
| 5 | 879758 | CORD-EURO | 1 |
| 5 | 839549 | CORD | 1 |
| 11 | 803876SV | BEARING | 3 |
| 12 | 804211 | BEARING,NEEDLE | 3 |
| 12 | 803846SV | BEARING | 3 |
| 15 | 855284 | BEARING | 3 |
| 23 | 801852 | SEAL | 1 |
| 31 | D839308 | PINION DRIVE | 1 |
| 31 | D839309 | GEAR DRIVEN | 1 |
| 37 | 862604 | BELT | 1 |
| 37 | 903840 | DRIVE PULLEY | 1 |
| 37 | 000000-00 | No Longer Available | 1 |
| 40 | 839310 | SHAFT DRIVE PLU | 1 |
| 40 | 885103 | PULLEY SHAFT 3 | 1 |
| 51 | 699206 | FRAME | 1 |
| 51 | 000000-00 | No Longer Available | 1 |
| 53 | 864434 | COVER GEAR HSG | 1 |

Parts List for 361 Type 2

| Item Number | Part Number | Description | Qty Required |
|-------------|-------------|---------------------|--------------|
| 54 | 839292 | COVER DRIVE BEL | 1 |
| 57 | 882350 | HANDLE SET | 1 |
| 59 | 000000-00 | No Longer Available | 1 |
| 64 | 839306 | FRAME PROTECTOR BAR | 1 |
| 65 | 804407 | PULLEY | 1 |
| 65 | 698495 | PULLEY | 1 |
| 66 | 839302 | KIT | 1 |
| 66 | 690679 | IDLER ARM | 1 |
| 66 | 887649 | YOKE | 1 |
| 83 | 858136 | NUT | 10 |
| 84 | A03070 | SS/A HANDLE SET | 1 |
| 85 | 886538 | SCREW | 10 |
| 90 | 692639 | DUST BAG | 1 |
| 93 | 698508 | KNOB | 1 |
| 201 | 000000-00 | No Longer Available | 1 |
| 202 | 882671 | ELBOW/SUPPORT KIT | 1 |
| 202 | 882671 | ELBOW/SUPPORT KIT | 1 |
| 203 | 839330 | SPRING ELBOW RE | 10 |
| 203 | 877967 | BAG SUPPORT | 1 |
| 204 | 849314 | TERM | 1 |
| 205 | 877967 | BAG SUPPORT | 1 |
| 206 | 802695 | SCREW | 10 |
| 207 | 879678 | SCREW | 10 |
| 208 | 882185 | SCREW MACHINE STEEL | 10 |
| 209 | 883485 | SCREW | 10 |
| 211 | 000000-00 | No Longer Available | 1 |
| 212 | 865643 | SCREW | 10 |

Parts List for 361 Type 2

| Item Number | Part Number | Description | Qty Required |
|-------------|-------------|---------------------|--------------|
| 213 | 844107 | SCREW | 10 |
| 214 | 803496 | WASHER | 10 |
| 215 | 843081 | SCREW | 10 |
| 216 | 839293 | COVER COMMUTATO | 1 |
| 218 | 848148 | SCREW | 10 |
| 219 | 882036 | SCREW | 10 |
| 221 | 802289 | SCREW | 10 |
| 222 | 000000-00 | No Longer Available | 1 |
| 223 | 801372 | NUT | 10 |
| 224 | 883479 | SCREW | 10 |
| 227 | 839305 | SPACER | 10 |
| 228 | 838312 | SCREW | 10 |
| 229 | 802607 | SCREW | 10 |
| 230 | 878262 | SCREW | 10 |
| 231 | 893792 | SCREW | 10 |
| 232 | 330045-09 | SCREW | 10 |
| 234 | 698610 | COVER | 1 |
| 235 | 801752 | SCREW | 10 |
| 236 | 858792 | WASHER | 10 |
| 237 | 698503 | SPACER | 10 |
| 238 | 823254 | NUT | 10 |
| 239 | 803317 | WASHER | 10 |
| 240 | 803365 | CAP | 1 |
| 241 | 878563 | KEY | 1 |
| 242 | 802942 | RING | 10 |
| 243 | A22854 | TRACKING BOX | 1 |
| 244 | 698511 | WEAR PLATE | 1 |

Parts List for 361 Type 2

| Item Number | Part Number | Description | Qty Required |
|-------------|-------------|---------------------|--------------|
| 245 | 698501 | LEVER | 1 |
| 246 | 698504 | SPRING | 1 |
| 248 | 878563 | KEY | 1 |
| 250 | 861434 | CORD CLAMP | 1 |
| 254 | 698500 | SPRING | 1 |
| 257 | 839040 | CORK COVERING | 1 |
| 258 | 908910 | SHOE ASSY | 1 |
| 259 | 908910 | SHOE ASSY | 1 |
| 260 | 876384 | SCREW | 10 |
| 261 | 803317 | WASHER | 10 |
| 263 | 878813 | SCREW | 10 |
| 268 | 861434 | CORD CLAMP | 1 |
| 269 | 810716 | RELIEVER | 1 |
| 270 | 859227 | SCREW | 10 |
| 271 | 000000-00 | No Longer Available | 1 |
| 272 | 698507 | CONTROL PLATE | 1 |
| 273 | 874117 | SCREW | 10 |
| 274 | 853455 | RING | 10 |
| 275 | 698624 | WASHER | 10 |
| 276 | 842848 | RETAINING RING | 10 |
| 277 | A22854 | TRACKING BOX | 1 |
| 277 | 912484 | TRACKING BOX | 1 |
| 279 | 000000-00 | No Longer Available | 1 |
| 280 | 698746 | CONTROL PIN | 1 |
| 281 | 803104 | LEAD | 1 |
| 282 | 839300 | FAN | 1 |
| 283 | 000000-00 | No Longer Available | 1 |

Parts List for 361 Type 2

| Item Number | Part Number | Description | Qty Required |
|-------------|-------------|---------------------|--------------|
| 800 | 801945 | TUBE GREASE | 1 |
| 800 | 801946 | LUBE | 1 |
| 861 | 000000-00 | No Longer Available | 1 |