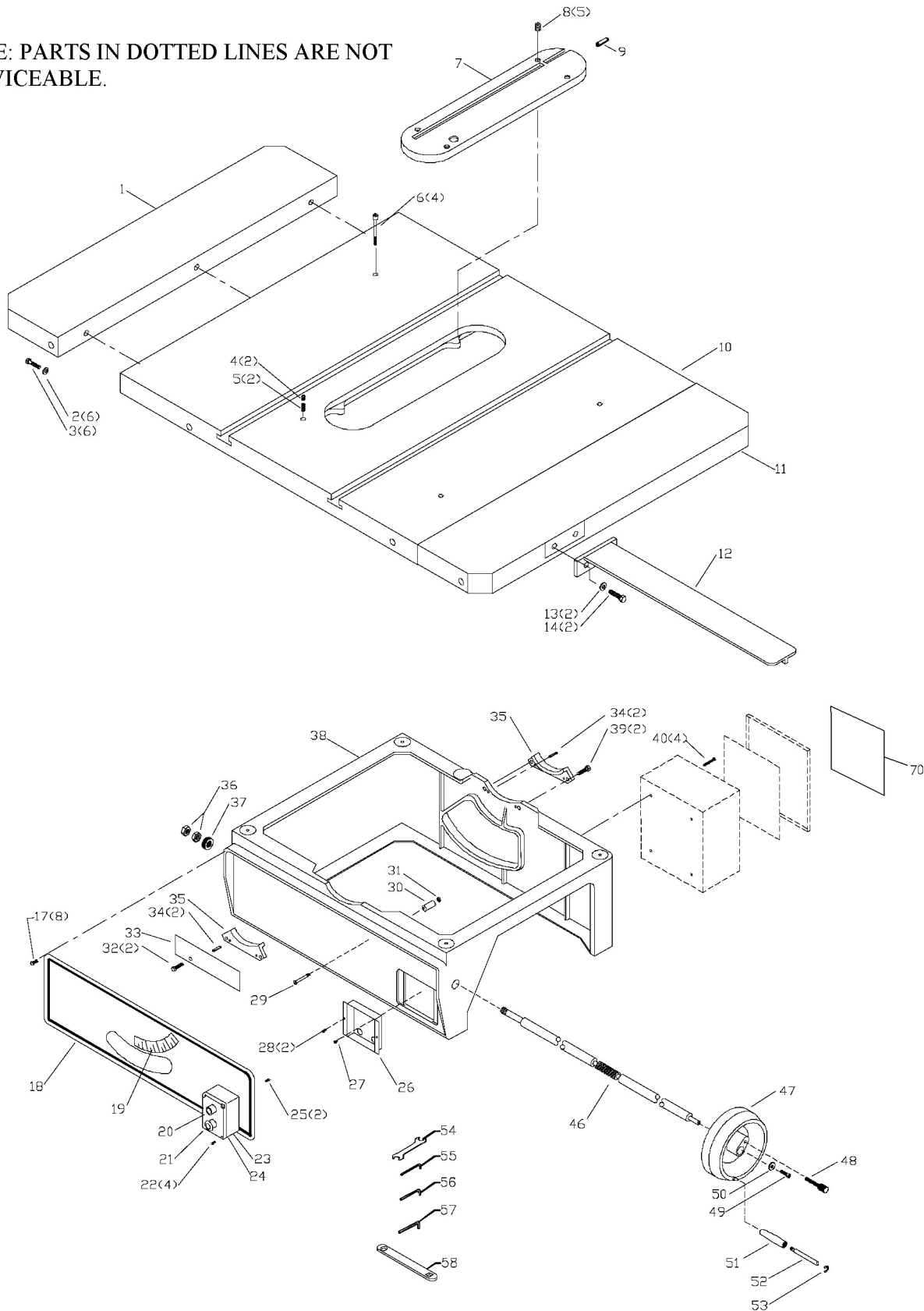


NOTE: PARTS IN DOTTED LINES ARE NOT SERVICEABLE.



158, 184 WHEN REPLACING ELEVATION BRACKET (REF. NO 158), OLD SPACERS (REF. NO 184) MUST BE DISCARDED. ELEVATING BRACKET COMES CAST WITH (3) THREE SPACERS ATTACHED, WHICH MUST BE BROKEN OFF AND USED WITH NEW PART.

112 THIS FLANGE REPLACES THE OLD BEARING GUARD AND OLD INNER BLADE FLANGE WITH A NEW 1-PIECE INNER BLADE FLANGE.

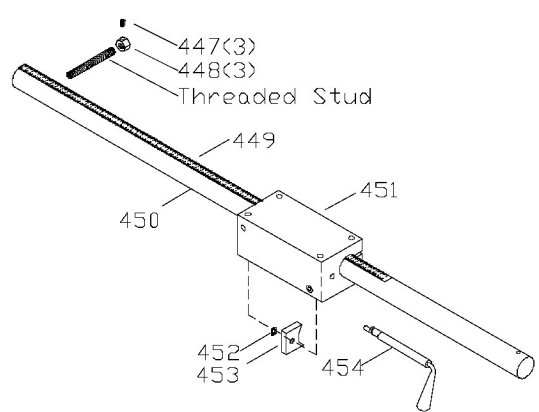
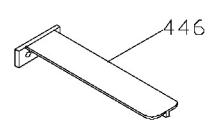
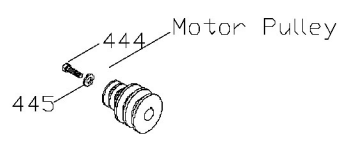
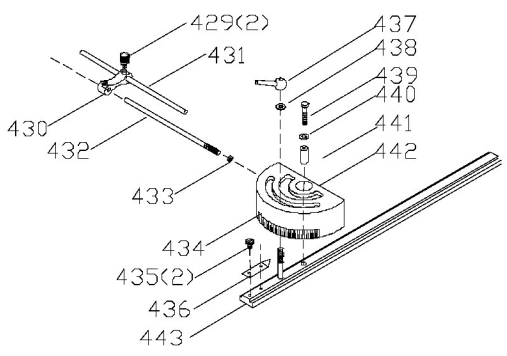
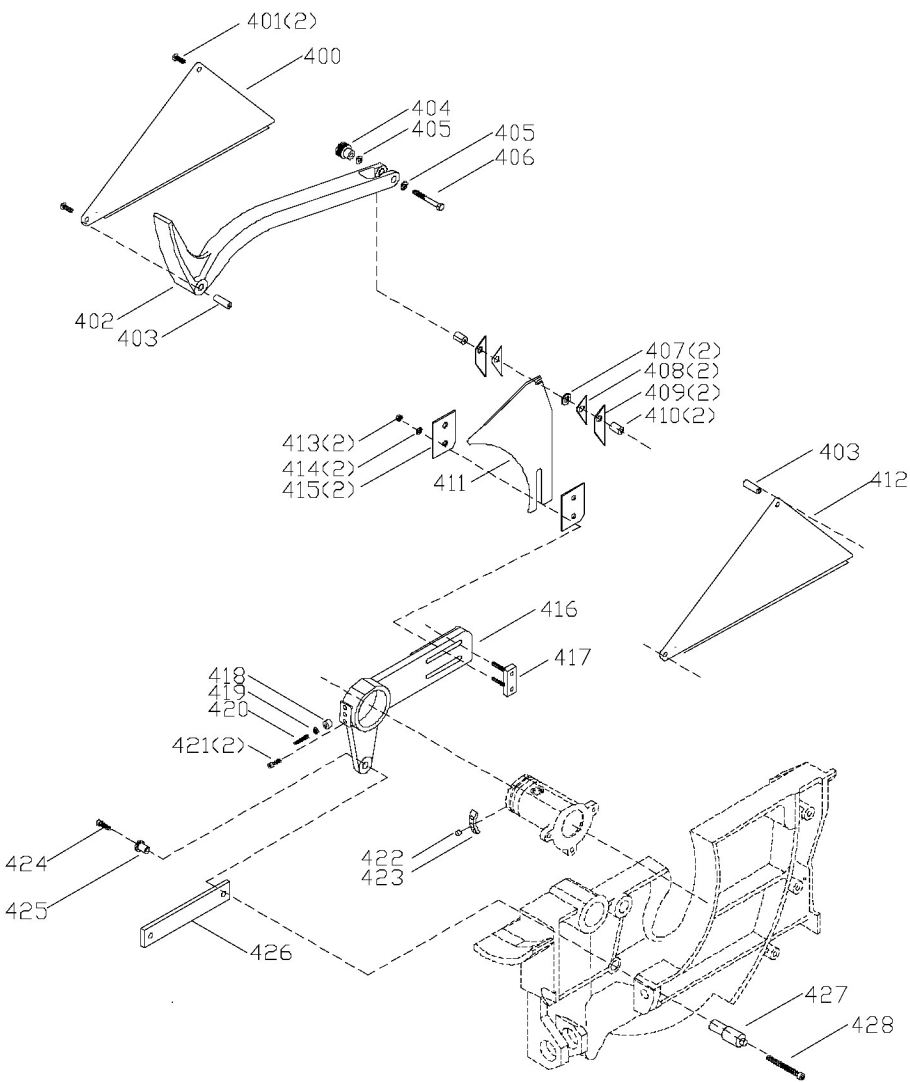
46, 139, 145, 162 THIS KIT INCLUDES BOTH THE WORM AND RACK, ONLY ONE(1) KIT NEEDS TO BE ORDERED FOR ANY GIVEN SERVICE PROCEDURE. DUE TO WEAR CHARACTERISTICS, IT IS NECESSARY TO REPLACE BOTH WORM AND RACK AT THE SAME TIME!

255 INSTALL NEW PART WITH LOCTITE TO PREVENT LOOSENING DURING OPERATION.

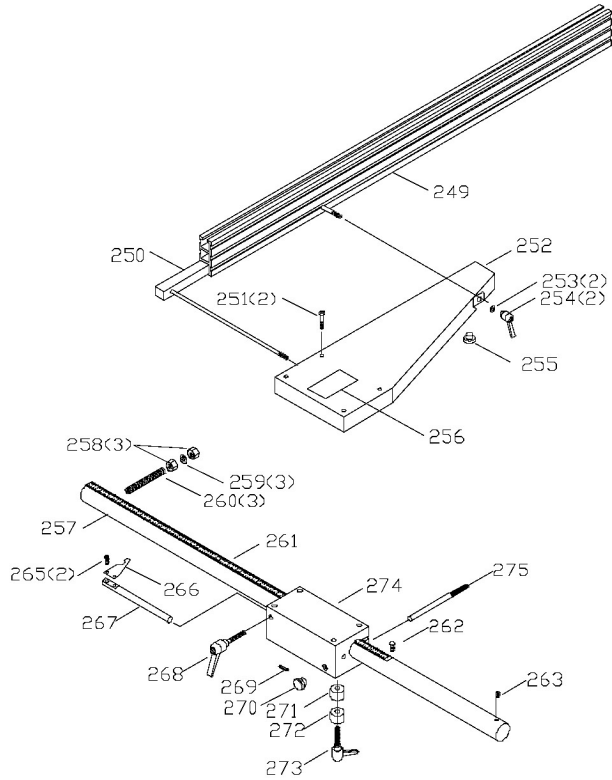
202, 203, 312 KIT INCLUDES: BOARD, LAMINATE, T-EDGING AND HARDWARE.

224 SCALE IS PROVIDED OVERSIZE AND MUST BE CUT TO PROPER LENGTH.

PARTS ILLUSTRATED BELOW FOR USE WITH EARLY MODELS ONLY



PARTS ILLUSTRATED BELOW FOR USE WITH MODEL 34-790 SAW



PARTS ILLUSTRATED BELOW FOR USE WITH MODEL 36-790 SAW

