

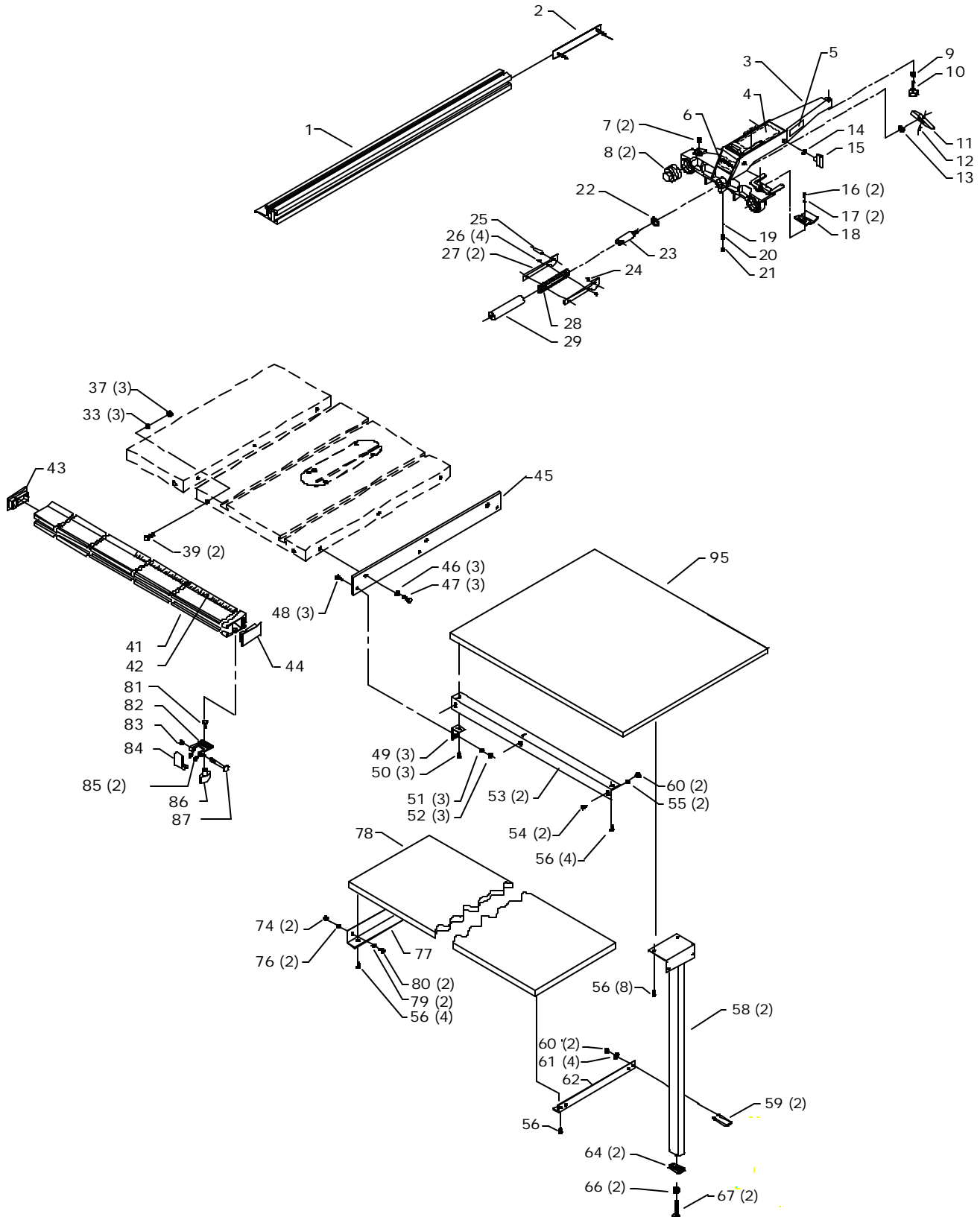


36-889
52" UNIFENCE
36-891 AUXILIARY TABLE &
SHELF

CS-4K-9-1

PARTS NO.422-27-655-0072

Date: 08/23/2001



REPLACEMENT PARTS

Ref. No.	Part No.	Description	Ref. No.	Part No.	Description
1	36-894	FENCE	45	422-27-001-0002	ADAPTOR
2	400-06-327-0001	CLAMP ASSY	46	904-02-010-1716	7/16" LOCK WASHER
3	400-06-312-0005	FENCE BODY ASSEMBLY, INCL:	47	901-01-060-0680	7/16-20 X 1" HEX HD SCREW
4	422-27-754-000	LABEL	48	901-11-020-0821	1/4-20 X 3/4" CARRIAGE HD SCREW
5	422-27-752-001E	LABEL	50	901-25-043-1791	8 X 3/4" HEX WASHER HD SCREW
6	422-27-754-001E	LABEL	51	904-01-010-1614	FLAT WASHER
7	422-39-112-000E	LEVELING SCREW	52	902-01-120-1034	1/4-20 HEX NUT
8	422-39-048-0001	ADJUSTMENT PLUG	53	422-27-089-0019	TABLE SUPPORT
9	902-01-010-1300	5/16-18 HEX NUT	54	901-01-060-0612	1/4-20 X 5/8" HEX HD SCREW
10	422-27-048-0001	REAR SUPPORT FOOT	55	904-01-010-1614	FLAT WASHER
11	422-27-068-0003	LOCKING LUG	56	901-25-043-1791	8 X 3/4" HEX WASHER HD SCREW
12	905-01-010-2702	1/4" X 5/8" SPRING PIN	58	422-27-366-0005	LEG ASSY
13	908-25-013-1808	O-RING	59	422-27-112-0005	U-BOLT
14	904-01-010-1620	FLAT WASHER	60	902-01-120-1034	1/4-20 HEX NUT
15	424-12-060-0005	KNOB	61	904-01-010-1614	FLAT WASHER
16	901-02-443-1812	8-32 X 1/2" PAN HD SCR	62	422-27-089-0017	SHELF SUPPORT
17	904-01-013-1738	3/16" FLAT WASHER	64	1350481	LEG ADAPTER
18	400-06-375-0002	CURSOR	66	902-01-020-5433	3/8-16 JAM NUT
19	921-01-110-0001	BALL	**	422-27-628-0024	FLIP STOP HDWE PACK
20	928-01-250-0001	SPRING	67	901-09-131-5295	LEVELING SCREW
21	901-04-150-9440	1/4-20 X 1/2" HEX SOC SET SCREW	74	902-01-120-1034	1/4-20 HEX NUT
22	422-27-104-0002	THRUST WASHER	75	904-02-020-1702	1/4" LOCK WASHER
23	422-39-106-0002	SHAFT	77	422-27-014-0010	BRACKET
24	908-25-013-1756	O-RING	78	422-27-091-0018	SHELF
25	905-01-103-1370	5/16" X 1 1/4" SPRING PIN	79	904-01-010-1614	FLAT WASHER
26	901-05-163-1229	10-16 X 1/2" PAN HD SCREW	80	901-01-060-0612	HEX HD SCREW
27	422-39-019-0001	CAM HANDLE	81	901-01-060-064E	5/16-18 X 1.00 HEX HEAD SCREW
28	422-39-138-0002	HANDLE	82	422-27-084-0007	BRACKET
29	422-39-105-0001	GRIP	83	902-01-212-240E	LOCKNUT
33	904-01-010-1615	3/8" FLAT WASHER	84	422-27-088-000Z	FLIP STOP
34	902-01-010-5900	3/8-16 JAM NUT	85	904-07-010-557E	WASHER
37	902-01-010-5900	3/8-16 JAM NUT	86	424-12-060-000E	KNOB 2" 5/16-18
39	901-01-060-0642	3/8-16 X 1 1/4" SCREW	87	901-01-06-0062Z	1/4-20 X 2" HEX HEAD SCREW
41	36-904	FRONT GUIDE RAIL, INCL:	95	422-27-091-0020	TABLE
42	400-06-432-0001	SCALE KIT (SEE NOTE A)			
43	422-27-020-000E	END CAP-LH	**	NOT SHOWN	
44	422-27-020-0004	END CAP-RH			

SERVICE NOTE:

A – Scale is provided oversize and must be cut to proper length.

STANDARD SAFETY EQUIPMENT

In order to promote tool safety, Delta Machinery strictly enforces the policy of repairing or replacing any damaged or missing standard safety equipment on machines presented to Delta Authorized Service Centers for service/repairs. Any product that is presented to a Delta Authorized Service Centers for repairs which contains missing or damaged standard safety equipment will have that equipment repaired or replaced and the customer will be charged for any such service/repairs. Customers can avoid such charges only if the missing safety component is supplied to the service center at the time of repair.

This parts list is provided to aid in obtaining service parts. Copies of the instruction and maintenance literature can be obtained through the Delta Technical Publications Department or through your service outlet.