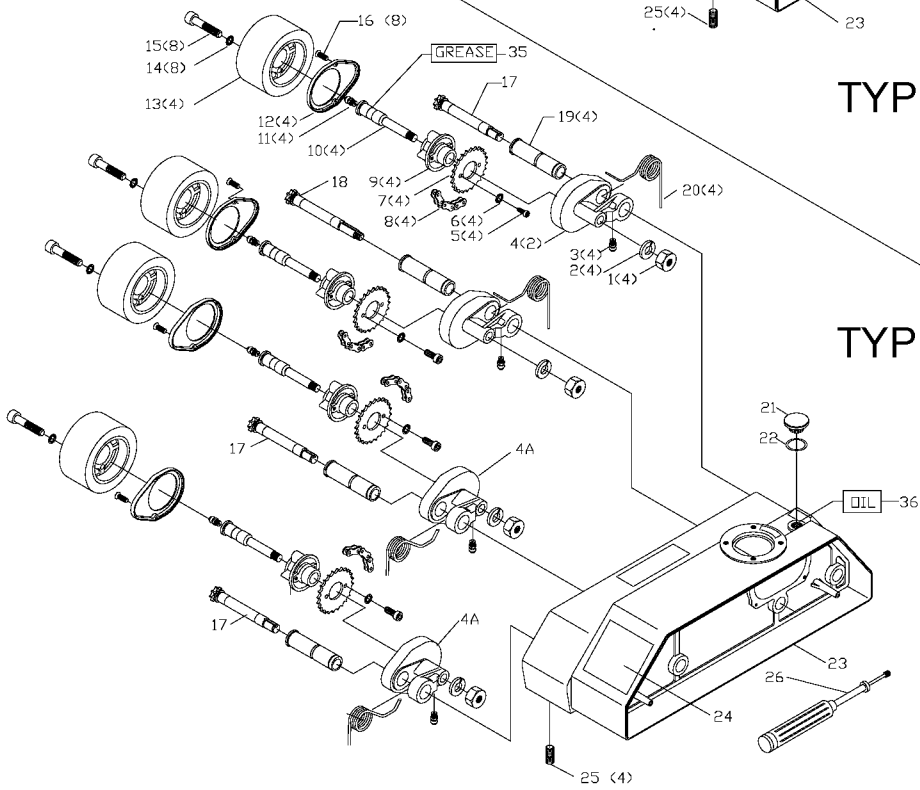
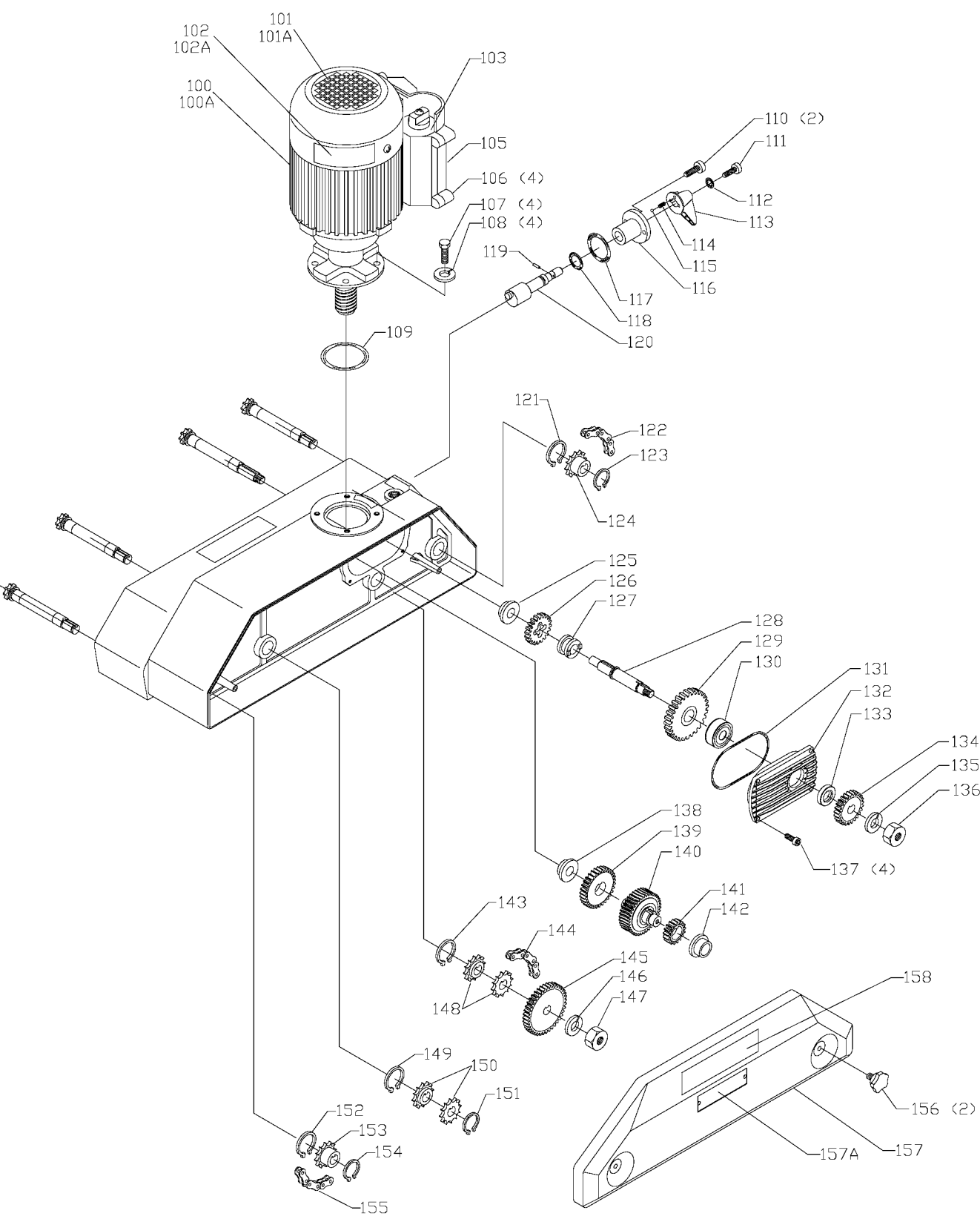
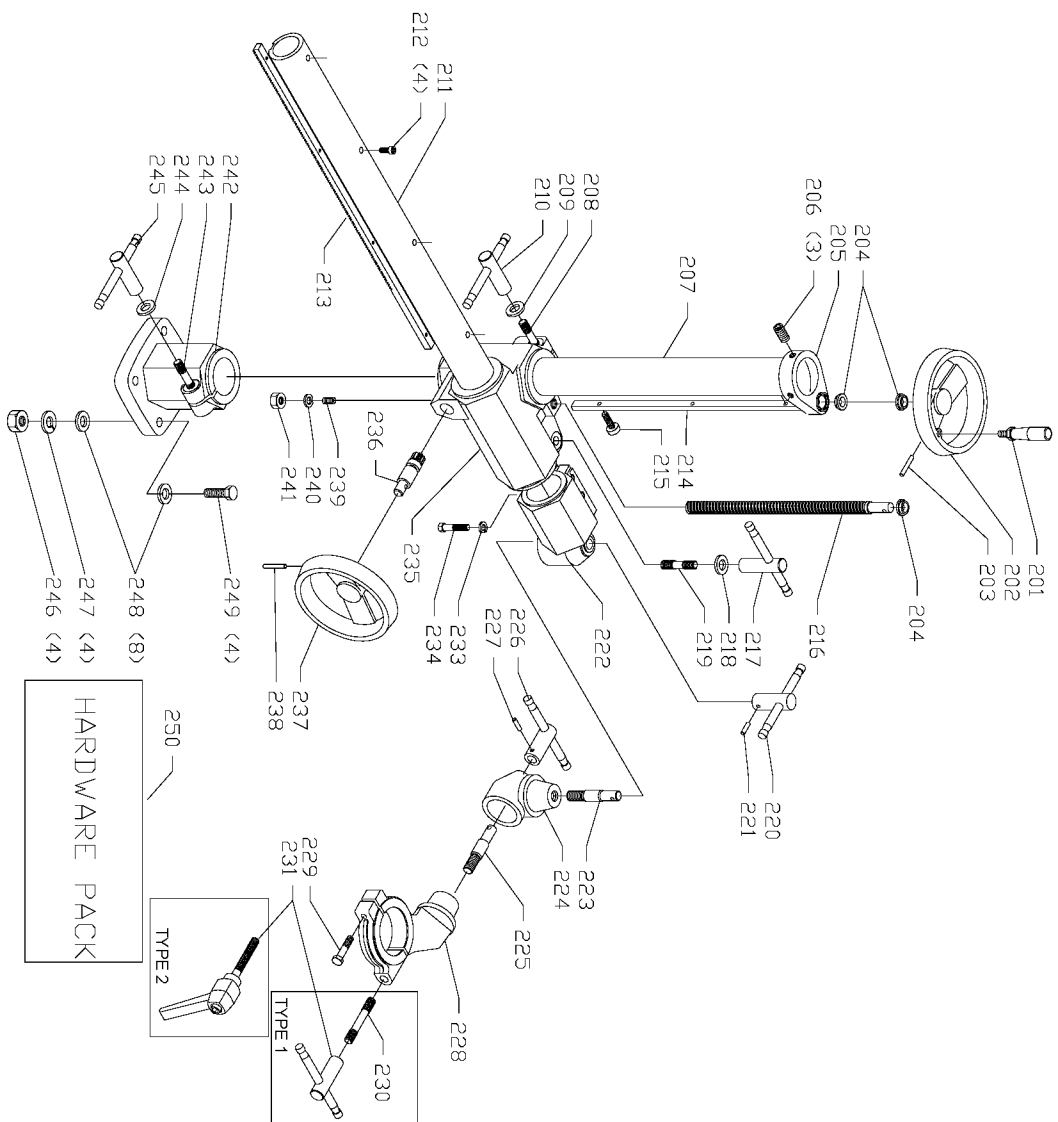


TYPE 2

TYPE 1







Parts List for 36-856 Type 2

| Item Number | Part Number | Description | Qty Required |
|-------------|--------------|-------------------|--------------|
| 1 | A08819 | SCREW | 4 |
| 2 | 1246065 | LOCKWASHER | 4 |
| 3 | 1347864 | GREASE FITTING | 4 |
| 4 | A08820 | RH SUPPORT | 2 |
| 4 | A08821 | LH SUPPORT | 2 |
| 5 | 1246004 | CAP SCREW | 4 |
| 6 | 904030201667 | WASHER | 4 |
| 7 | 1348072 | SPROCKET 22 TOOTH | 4 |
| 8 | 1348073 | CHAIN 26 LINKS | 4 |
| 9 | A08822 | HUB | 4 |
| 10 | A08823 | SHAFT | 4 |
| 10 | 1330075 | RETAINING RING | 4 |
| 11 | 1347864 | GREASE FITTING | 4 |
| 12 | A08824 | COVER | 4 |
| 13 | 1340496 | ROLLER | 4 |
| 16 | 1330398 | SCREW | 8 |
| 17 | 1348075 | SHAFT | 4 |
| 18 | 1348078 | SHAFT W/THREAD | 4 |
| 19 | 1348071 | BUSHING | 4 |
| 20 | 1348069 | SPRING | 4 |
| 21 | 1348063 | OIL PLUG | 1 |
| 22 | 1348064 | SEAL | 1 |
| 23 | A12115 | CASE | 1 |
| 24 | A08327 | WARNING LABEL | 1 |
| 25 | 1243321 | SCREW | 4 |
| 26 | 1347915 | LUBE GUN | 1 |
| 28 | 5140057-78 | WHEEL | 4 |

Parts List for 36-856 Type 2

| Item Number | Part Number | Description | Qty Required |
|-------------|--------------|-----------------|--------------|
| 29 | A12102 | TIRE | 4 |
| 30 | 5140057-78 | WHEEL | 4 |
| 31 | 904030201750 | LOCK WASHER | 8 |
| 32 | 1349916 | SCREW | 8 |
| 33 | 904030201750 | LOCK WASHER | 8 |
| 34 | 1246054 | CAP SCREW | 8 |
| 35 | 328771-02 | GREASE | 1 |
| 36 | 999010131210 | OIL - 1PT | 2 |
| 100 | 1348109 | MOTOR 3 PHASE | 1 |
| 101 | 1348133 | FAN COVER | 1 |
| 102 | A08321 | MOTOR PLATE | 1 |
| 103 | 1348054 | SWITCH ASSY | 1 |
| 103 | 1348056 | SWITCH PLATE | 1 |
| 103 | 1348054 | SWITCH ASSY | 1 |
| 103 | 1348111 | POWER CORD | 1 |
| 103 | 1348059 | STRAIN RELIEF | 1 |
| 103 | 1348057 | CAPACITOR 35UF | 1 |
| 105 | 1348060 | SWITCH BOX ASSY | 1 |
| 106 | 1348061 | SCREW | 4 |
| 107 | 1246034 | CAP SCREW | 4 |
| 108 | 488813-00 | LOCK WASHER | 4 |
| 109 | 1348062 | O-RING | 1 |
| 110 | 1346203 | SCREW | 2 |
| 111 | 1246051 | CAP SCREW | 1 |
| 112 | 1343521 | WASHER | 1 |
| 113 | 1348123 | LEVER | 1 |
| 114 | 1348124 | SPRING | 1 |

Parts List for 36-856 Type 2

| Item Number | Part Number | Description | Qty Required |
|-------------|--------------|---------------------|--------------|
| 115 | 1243353 | STEEL BALL | 1 |
| 116 | 1348125 | BUSHING | 1 |
| 117 | 1348126 | O-RING | 1 |
| 118 | 1348128 | O-RING | 1 |
| 119 | 000000-00 | No Longer Available | 1 |
| 120 | 1348127 | SHAFT | 1 |
| 121 | 1246181 | RET RING | 1 |
| 122 | 1348079 | CHAIN 40 LINKS | 1 |
| 123 | 1246196 | EXT RET RING | 1 |
| 124 | 1347877 | SPROCKET LONG | 1 |
| 125 | 1348115 | BUSHING | 1 |
| 126 | 1348119 | GEAR 20 TOOTH | 1 |
| 127 | 1348120 | SHIFT COLLAR | 1 |
| 128 | 1348121 | SHAFT | 1 |
| 129 | 1348122 | GEAR 34 TOOTH | 1 |
| 130 | 920040205384 | BEARING | 1 |
| 131 | 1348134 | O-RING | 1 |
| 132 | A08825 | COVER | 1 |
| 133 | 1347884 | SEAL | 1 |
| 134 | 1348082 | GEAR 25 TOOTH | 1 |
| 135 | 1243556 | FLAT WASHER | 1 |
| 136 | 1340478 | NUT | 1 |
| 137 | 1344933 | SCREW | 4 |
| 138 | 1347879 | BUSHING | 1 |
| 139 | 1348116 | GEAR 31 TOOTH | 1 |
| 140 | 1348117 | WORM GEAR | 1 |
| 141 | 1348118 | GEAR 17 TOOTH | 1 |

Parts List for 36-856 Type 2

| Item Number | Part Number | Description | Qty Required |
|-------------|-------------|----------------|--------------|
| 142 | 1347879 | BUSHING | 1 |
| 143 | 1246181 | RET RING | 1 |
| 144 | 1348080 | CHAIN 62 LINKS | 1 |
| 145 | 1348081 | GEAR 40 TOOTH | 1 |
| 146 | 1243556 | FLAT WASHER | 1 |
| 147 | 1340478 | NUT | 1 |
| 148 | 1347874 | SPROCKET SHORT | 1 |
| 149 | 1246181 | RET RING | 1 |
| 150 | 1347874 | SPROCKET SHORT | 1 |
| 151 | 1246196 | EXT RET RING | 1 |
| 152 | 1246181 | RET RING | 1 |
| 153 | 1347877 | SPROCKET LONG | 1 |
| 154 | 1246196 | EXT RET RING | 1 |
| 155 | 1348079 | CHAIN 40 LINKS | 1 |
| 156 | 1347895 | KNOB W/STUD | 2 |
| 157 | A12116 | COVER | 1 |
| 157 | A08337 | NAMEPLATE | 1 |
| 158 | 1348114 | SPEED CHART | 1 |
| 200 | 36-857 | STAND | 1 |
| 201 | 1348136 | KNOB | 1 |
| 202 | 1348089 | HANDWHEEL | 1 |
| 203 | 1246062 | ROLL PIN | 1 |
| 204 | 1348090 | BUSHING | 3 |
| 205 | A12108 | BRACKET | 1 |
| 206 | 1340435 | SCREW | 3 |
| 207 | 1348095 | COLUMN VERT | 1 |
| 208 | 1348096 | STUD | 1 |

Parts List for 36-856 Type 2

| Item Number | Part Number | Description | Qty Required |
|-------------|-------------|--------------------|--------------|
| 209 | 1243556 | FLAT WASHER | 1 |
| 210 | 1348093 | HANDLE ASSY | 1 |
| 211 | 1348097 | COLUMN HORZ | 1 |
| 212 | 1246051 | CAP SCREW | 4 |
| 213 | 1348105 | RACK HORZ | 1 |
| 214 | 1348094 | GUIDE VERT | 1 |
| 215 | 1344933 | SCREW | 1 |
| 216 | 1348092 | SCREW VERT | 1 |
| 217 | 1348093 | HANDLE ASSY | 1 |
| 218 | 1243556 | FLAT WASHER | 1 |
| 219 | 1348096 | STUD | 1 |
| 220 | 1348098 | HANDLE ASSY | 1 |
| 221 | 1246024 | ROLL PIN | 1 |
| 222 | A12109 | PIVOT JOINT | 1 |
| 223 | 1348102 | STUD | 1 |
| 224 | A12110 | PIVOT JOINT CENTER | 1 |
| 225 | 1348102 | STUD | 1 |
| 226 | 1348098 | HANDLE ASSY | 1 |
| 227 | 1246024 | ROLL PIN | 1 |
| 228 | A12111 | PIVOT JOINT LOWER | 1 |
| 229 | 1246032 | CAP SCREW | 1 |
| 230 | 1348099 | STUD | 1 |
| 231 | A08830 | HANDLE ASSY | 1 |
| 233 | 1243360 | LOCKWASHER | 1 |
| 234 | 1341229 | SCREW | 1 |
| 235 | A12112 | BRACKET | 1 |
| 236 | 1348104 | SHAFT | 1 |

Parts List for 36-856 Type 2

| Item Number | Part Number | Description | Qty Required |
|-------------|--------------|---------------|--------------|
| 237 | 1348106 | HANDLE | 1 |
| 238 | 1246062 | ROLL PIN | 1 |
| 239 | A08828 | SCREW | 1 |
| 240 | 488813-00 | LOCK WASHER | 1 |
| 241 | 491964-00 | NUT | 1 |
| 242 | A12113 | BASE | 1 |
| 243 | 1348096 | STUD | 1 |
| 244 | 1243556 | FLAT WASHER | 1 |
| 245 | A08829 | HANDLE ASSY | 1 |
| 246 | 1243476 | NUT | 4 |
| 247 | 1246065 | LOCKWASHER | 4 |
| 248 | 904010315734 | SPEC WSHR | 8 |
| 249 | 1340563 | SCREW | 4 |
| 250 | A12114 | HARDWARE PACK | 1 |