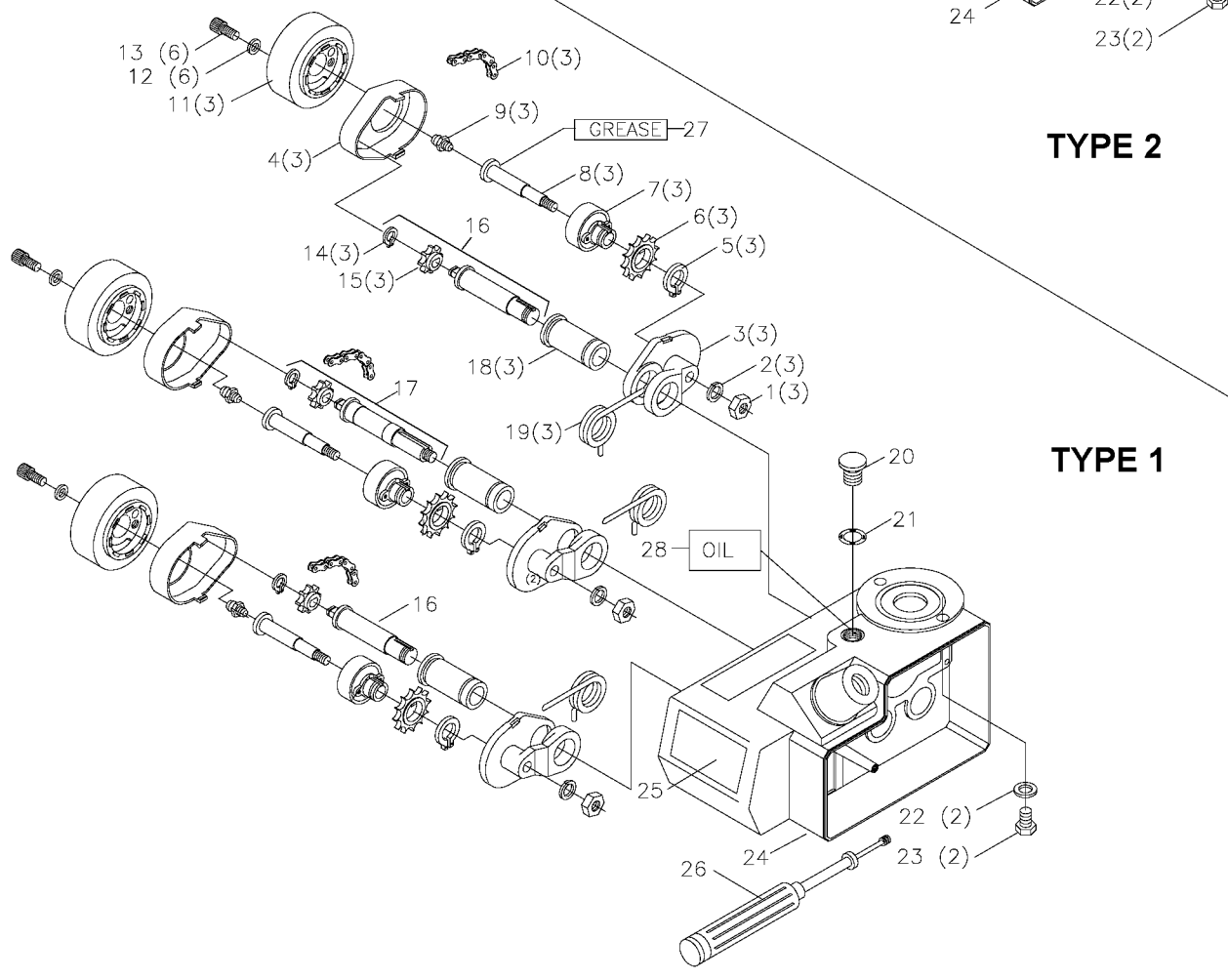
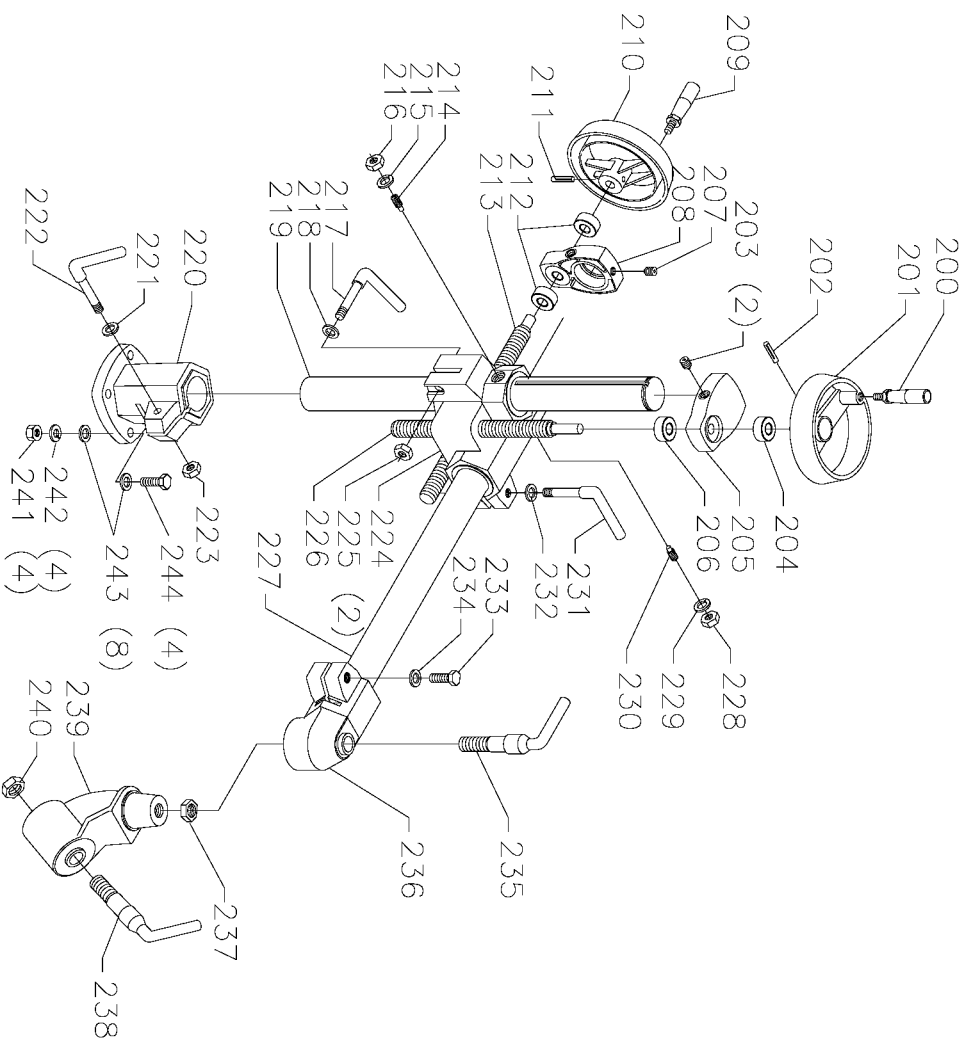
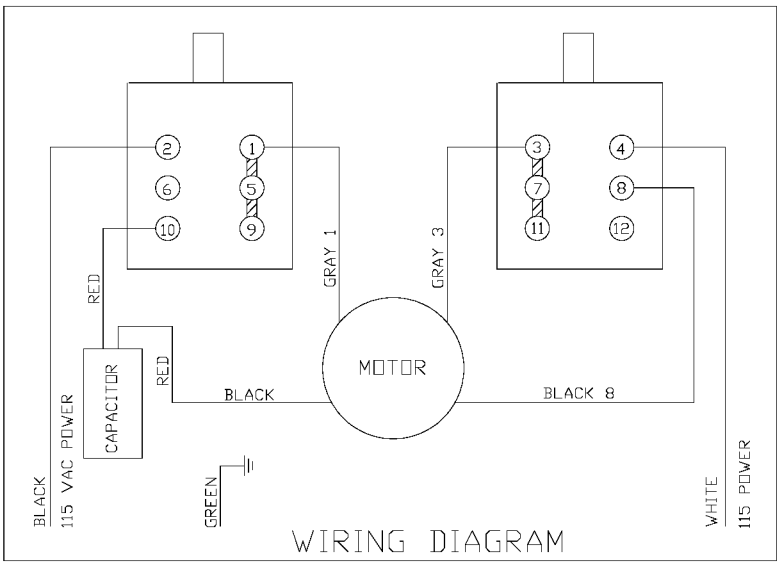
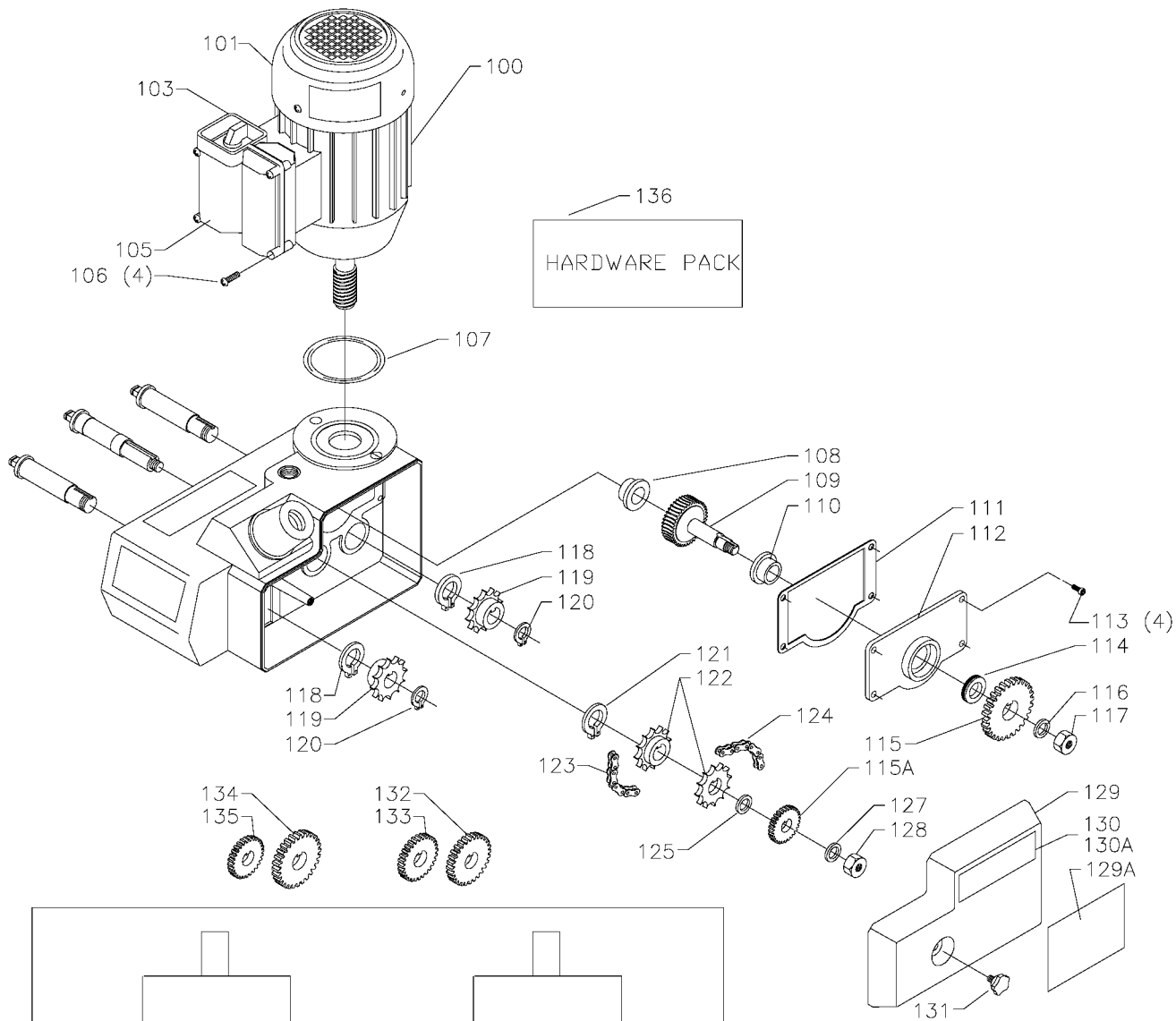


TYPE 2



TYPE 1





EXTERNAL JUMPER BETWEEN TERMINALS

SERVICE NOTES:
 DO NOT REMOVE THE SWITCH WIRES BEFORE POSITIVE IDENTIFICATION OF THE CONNECTIONS CAN BE MADE FOR YOUR UNIT. THE WIRING DIAGRAMS SHOWN MAY NOT AGREE WITH THE WIRING ON YOUR UNIT. IF THE WIRES DO NOT HAVE ANY MARKINGS THAT CORRESPOND TO THE TERMINAL MARKINGS ON THE SWITCH, THEY MUST BE MARKED BEFORE REMOVAL.
 SWITCHES USED FOR SERVICE MAY COME WITH EXTERNAL JUMPERS IN DIFFERENT POSITIONS THAN THOSE SHOWN ON THE WIRING DIAGRAMS, OR ON YOUR UNIT. THEY CAN BE EASILY MOVED TO AGREE WITH THE POSITIONS ON YOUR UNIT OR TO AGREE WITH THE WIRING DIAGRAMS.

Parts List for 36-850 Type 2

Item Number	Part Number	Description	Qty Required
1	491964-00	NUT	3
2	488813-00	LOCK WASHER	3
3	1347862	SUPPORT ASSY	3
4	1347863	COVER	3
5	1330075	RETAINING RING	3
6	A08831	SPROCKET	3
7	A08832	HUB	3
8	1347865	SHAFT	3
9	1347864	GREASE FITTING	3
10	1347908	CHAIN 18 LINKS	3
11	1340360	ROLLER	3
12	904030201667	WASHER	6
13	1246104	CAP SCREW	6
14	000000-00	No Longer Available	3
15	1347868	SPROCKET 8 TOOTH	3
16	1347866	SHAFT	2
17	1347869	SHAFT W/THREAD	1
18	1347870	BUSHING	3
19	1347892	SPRING	3
20	1347859	OIL PLUG	1
21	1347860	SEAL	1
22	488874-00	LOCK WASHER	2
23	1246015	CAP SCREW	2
24	A12092	CASE	1
25	A08329	WARNING LABEL	1
26	1347915	LUBE GUN	1
27	328771-02	GREASE	1

Parts List for 36-850 Type 2

Item Number	Part Number	Description	Qty Required
28	999010131210	OIL - 1PT	2
100	1347909	STRAIN RELIEF	1
100	1347851	MTR 1/4HP-1PH 36-850	1
100	1347893	POWER CORD	1
100	1347914	CAPACITOR 20UF	1
101	1347852	FAN COVER	1
103	1347854	SWITCH ASSY	1
105	1347853	SWITCH BOX ASSY	1
106	1347857	SCREW	4
107	1347858	O-RING	1
108	1347879	BUSHING	1
109	1347880	GEAR W/SHAFT	1
110	1347881	BUSHING	1
111	1347882	GASKET	1
112	1347883	COVER	1
113	1246051	CAP SCREW	4
114	1347884	SEAL	1
115	1349951	GEAR 34 TOOTH	1
115	1349952	GEAR 16 TOOTH	1
116	1243502	WASHER	1
117	1345955	HEX NUT	1
118	1246181	RET RING	1
119	1347877	SPROCKET LONG	1
120	1246196	EXT RET RING	1
121	1246181	RET RING	1
122	1347874	SPROCKET SHORT	1
123	1347876	CHAIN 22 LINKS	1

Parts List for 36-850 Type 2

Item Number	Part Number	Description	Qty Required
124	1347875	CHAIN 30 LINKS	1
125	1347878	SPACER	1
127	1243502	WASHER	1
128	1345955	HEX NUT	1
129	1347886	COVER	1
129	A08337	NAMEPLATE	1
130	1349961	SPEED LABEL	1
130	1347894	SPEED CHART	1
131	1347895	KNOB W/STUD	1
132	1347890	GEAR 26 TOOTH	1
133	1347891	GEAR 24 TOOTH	1
134	1347885	GEAR 30 TOOTH	1
135	1347907	GEAR 20 TOOTH	1
136	A12099	HARDWARD PACK	1
200	1347896	KNOB ASSY	1
201	1347897	HANDWHEEL	1
202	1246023	ROLL PIN	1
203	1340565	SCREW	2
205	A12093	BRACKET	1
206	1347898	BUSHING	1
207	1340565	SCREW	1
208	A12094	BRACKET	1
209	1347896	KNOB ASSY	1
210	1347897	HANDWHEEL	1
211	1246023	ROLL PIN	1
213	1347913	SCREW HORZ.	1
214	1347901	SPECIAL SCREW	1

Parts List for 36-850 Type 2

Item Number	Part Number	Description	Qty Required
215	488813-00	LOCK WASHER	1
216	491964-00	NUT	1
217	1347900	LOCK LEVER	1
218	1344330	FLAT WASHER	1
219	1347910	COLUMN VERT.	1
220	A12095	BASE	1
221	1344330	FLAT WASHER	1
222	1347900	LOCK LEVER	1
223	491964-00	NUT	1
224	A12096	BRACKET	1
225	491964-00	NUT	2
226	1347912	SCREW VERT.	1
227	1347911	COLUMN HORZ.	1
228	491964-00	NUT	1
229	488813-00	LOCK WASHER	1
230	1347901	SPECIAL SCREW	1
231	1347900	LOCK LEVER	1
232	1344330	FLAT WASHER	1
233	1341229	SCREW	1
234	1243502	WASHER	1
235	1347903	LOCK LEVER	1
236	A12097	PIVOT JOINT-TOP	1
237	1347905	HEX NUT	1
238	1347903	LOCK LEVER	1
239	A12098	PIVOT JOINT-LOWER	1
240	1347905	HEX NUT	1
241	1243496	NUT-STEEL	4

Parts List for 36-850 Type 2

Item Number	Part Number	Description	Qty Required
242	1243360	LOCKWASHER	4
243	1243502	WASHER	8
244	1246099	CAP SCREW	4
856	000000-00	No Longer Available	1