



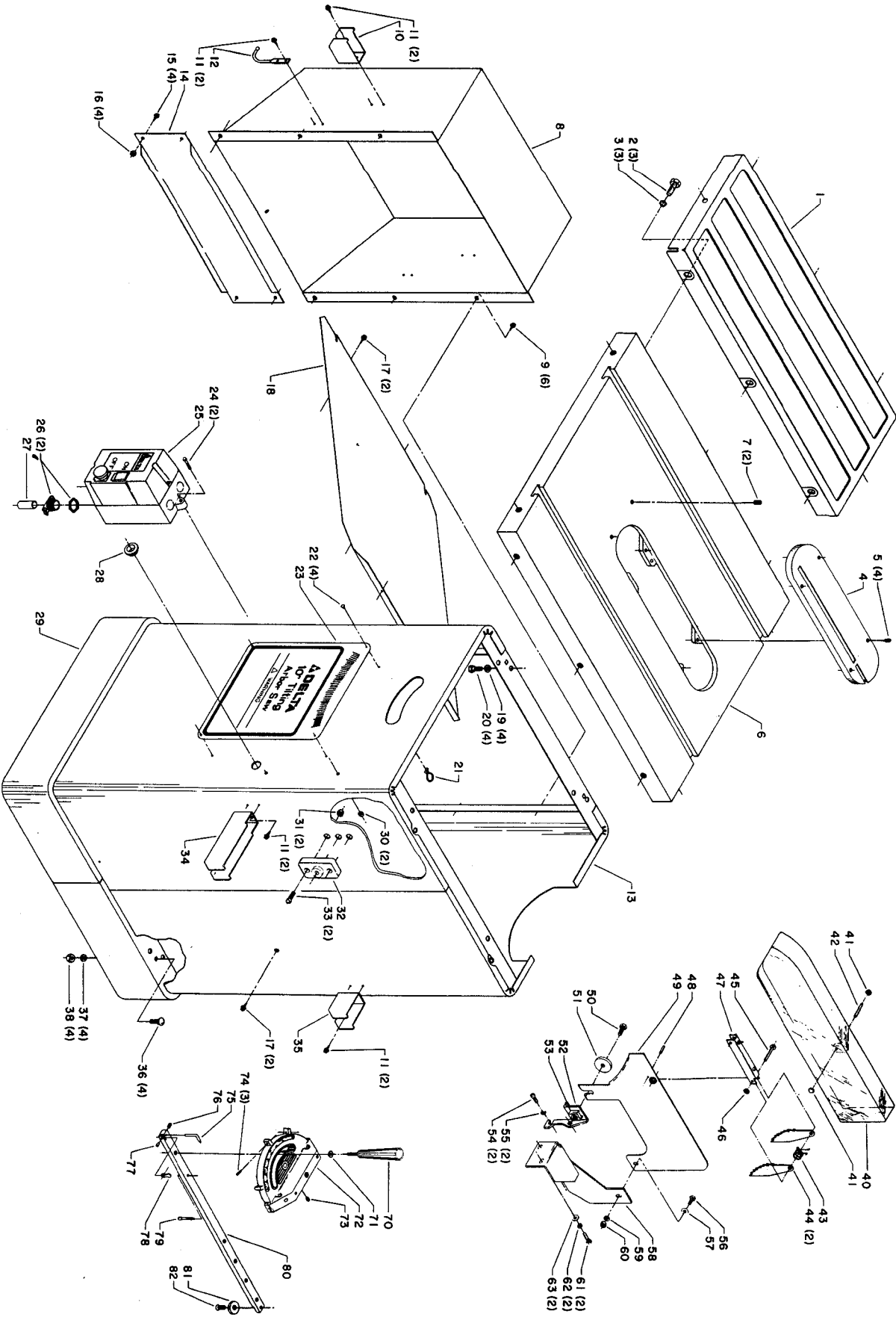
# 10" TILTING ARBOR SAW

(W/STAMPED STEEL EXTENSION WINGS)

Part No 422-35-651-0002

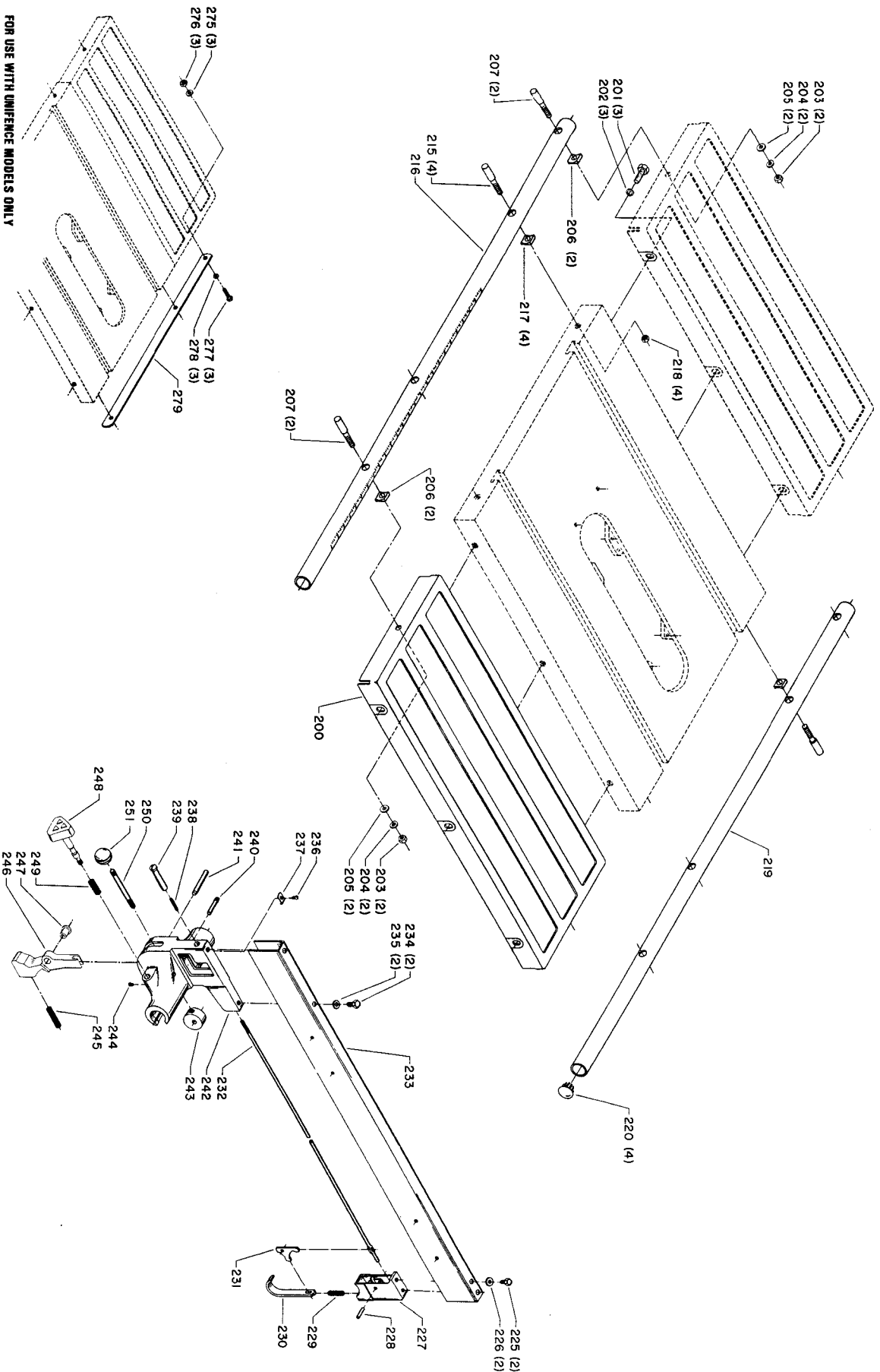
Revised 7-16-91

CS-4R





FOR USE WITH UNIFENCE MODELS ONLY



## Parts List for 36-752 Type 1

| Item Number | Part Number   | Description          | Qty Required |
|-------------|---------------|----------------------|--------------|
| 1           | 651028-00     | EXTENSION WING       | 1            |
| 2           | 901010600681  | CAP SCREW            | 3            |
| 3           | 904020101716  | LOCK WASHER          | 3            |
| 4           | 34-154        | STD INS 10IN CONT SW | 1            |
| 5           | 901044615297  | SCREW                | 4            |
| 6           | 000000-00     | No Longer Available  | 1            |
| 7           | 901042931395  | NYLOC SET-SCREW      | 2            |
| 8           | 000000-00     | No Longer Available  | 1            |
| 9           | 901052131498  | SCREW                | 6            |
| 10          | 422350140001  | MITER GAGE HOLDER    | 1            |
| 11          | 901052131498  | SCREW                | 8            |
| 12          | 422350600001S | WRENCH HOOK          | 1            |
| 13          | 000000-00     | No Longer Available  | 1            |
| 14          | 000000-00     | No Longer Available  | 1            |
| 15          | 000000-00     | No Longer Available  | 4            |
| 16          | 902012931513S | KEPS NUT             | 4            |
| 17          | 901052131498  | SCREW                | 4            |
| 18          | 000000-00     | No Longer Available  | 1            |
| 19          | 904010101620S | WASHER               | 4            |
| 20          | 000000-00     | No Longer Available  | 4            |
| 21          | 438010040083  | CABLE TIE            | 1            |
| 22          | 1087794       | RIVET                | 4            |
| 23          | 000000-00     | No Longer Available  | 1            |
| 24          | 000000-00     | No Longer Available  | 2            |
| 25          | 000000-00     | No Longer Available  | 1            |
| 26          | 438010040007S | CLAMP                | 2            |
| 27          | 438010110054S | INSULATOR SLEEVE     | 1            |

## Parts List for 36-752 Type 1

| Item Number | Part Number   | Description         | Qty Required |
|-------------|---------------|---------------------|--------------|
| 28          | 438010110051  | BUSHING INSULATOR   | 1            |
| 29          | 000000-00     | No Longer Available | 1            |
| 30          | 902012931513S | KEPS NUT            | 2            |
| 31          | 902015031514  | FLANGED HEX NUT     | 2            |
| 32          | 422190890007S | BRACKET             | 1            |
| 33          | 901020500704  | CAP SCREW           | 2            |
| 34          | 422350140002S | RIP FENCE HOLDER    | 1            |
| 35          | 422350140001  | MITER GAGE HOLDER   | 1            |
| 36          | 901110231476S | BOLT                | 4            |
| 37          | 904010101620S | WASHER              | 4            |
| 38          | 902010101300S | HEX NUT             | 4            |
| 40          | A23469        | GUARD ASSY          | 1            |
| 40          | 1086935       | BLADE GUARD         | 1            |
| 40          | 1086334S      | SEE THRU GUARD      | 1            |
| 41          | 1086388S      | PUSH NUT CAP        | 1            |
| 42          | 1087811S      | PIN                 | 1            |
| 43          | 1086353S      | SPRING              | 1            |
| 44          | 422160470001S | KICK BACK FINGER    | 2            |
| 45          | 422040710007S | PIN                 | 1            |
| 46          | 1086387S      | PUSH NUT            | 1            |
| 47          | 1086337S      | PIVOT BRACKET       | 1            |
| 48          | 905010106729S | PIN                 | 1            |
| 49          | 422040860002S | SPLITTER W/BUSHING  | 1            |
| 50          | 901010600649S | CAP SCREW           | 1            |
| 51          | 422030720001S | PLATE               | 1            |
| 52          | 422043140017  | BRACKET ASSY        | 1            |
| 53          | 422043140017  | BRACKET ASSY        | 1            |

## Parts List for 36-752 Type 1

| Item Number | Part Number   | Description         | Qty Required |
|-------------|---------------|---------------------|--------------|
| 54          | 901030103309S | CAP SCREW           | 2            |
| 55          | 491957-00     | LOCK WASHER         | 2            |
| 56          | 901010600611S | CAP SCREW           | 1            |
| 57          | 904010101614S | STEEL WASHER        | 1            |
| 58          | 422190890003S | BRACKET             | 1            |
| 59          | 491957-00     | LOCK WASHER         | 1            |
| 60          | 489026-00     | HEX NUT             | 1            |
| 61          | 901010600626S | CAP SCREW           | 2            |
| 62          | 491957-00     | LOCK WASHER         | 2            |
| 63          | 904010101614S | STEEL WASHER        | 2            |
| 70          | 422020600003S | HANDLE              | 1            |
| 71          | 904070105555S | FIBRE WSHR          | 1            |
| 72          | 422013550004  | MITER GAGE BODY     | 1            |
| 72          | 34-895        | MITER GAUGE         | 1            |
| 73          | 000000-00     | No Longer Available | 1            |
| 74          | 901041509428S | SET SCREW           | 3            |
| 75          | 422010750001S | POINTER             | 1            |
| 76          | 000000-00     | No Longer Available | 1            |
| 77          | 905010331754  | ROLL PIN            | 1            |
| 78          | 34-895        | MITER GAUGE         | 1            |
| 79          | 422011120001S | SCREW               | 1            |
| 80          | 34-895        | MITER GAUGE         | 1            |
| 81          | 422040720001S | PLATE               | 1            |
| 82          | 901020305750S | MACHINE SCREW       | 1            |
| 125         | 422031380002S | KNOB                | 1            |
| 127         | 1086491       | HANDWHEEL ASSY      | 1            |
| 128         | 422190750001  | POINTER             | 1            |

## Parts List for 36-752 Type 1

| Item Number | Part Number   | Description          | Qty Required |
|-------------|---------------|----------------------|--------------|
| 129         | 901030103309S | CAP SCREW            | 1            |
| 130         | 904010101614S | STEEL WASHER         | 1            |
| 131         | 904100313810  | STEEL WASHER         | 4            |
| 132         | 000000-00     | No Longer Available  | 4            |
| 133         | 1087233       | TRUNNION BRACKET -F  | 1            |
| 134         | 000000-00     | No Longer Available  | 1            |
| 135         | 902010209145  | HEX NUT              | 1            |
| 136         | 904070105554  | WASHER               | 2            |
| 137         | 426033880001  | SET COLLAR ASSY      | 1            |
| 138         | 491950-00     | SET SCREW            | 1            |
| 139         | 000000-00     | No Longer Available  | 1            |
| 139         | 905010102716  | PIN                  | 2            |
| 140         | 905010102711  | ROLL PIN             | 1            |
| 141         | 902010201226S | NUT                  | 1            |
| 142         | 902012831393  | LOCK NUT             | 4            |
| 143         | 905010102710  | ROLL PIN             | 1            |
| 144         | 000000-00     | No Longer Available  | 1            |
| 145         | 901041419152  | SCREW                | 1            |
| 146         | 928060131779  | WAVE WASHER          | 1            |
| 147         | 422191040001  | SPACER               | 1            |
| 148         | 422351050001S | SLEEVE               | 1            |
| 150         | 905010102711  | ROLL PIN             | 1            |
| 151         | 422354060001  | ELEVATING SHAFT ASSY | 1            |
| 152         | 422350040001  | TIE BAR              | 2            |
| 153         | 902012009848S | ARBOR NUT-LH         | 1            |
| 154         | 422041035001S | FLANGE               | 1            |
| 155         | 000000-00     | No Longer Available  | 1            |

## Parts List for 36-752 Type 1

| Item Number | Part Number   | Description         | Qty Required |
|-------------|---------------|---------------------|--------------|
| 156         | 1086894S      | BEARING             | 1            |
| 157         | 928060207382S | LOAD SPRING         | 1            |
| 158         | 1087857S      | SPACER              | 1            |
| 159         | 422193030002  | ARBOR ASSY          | 1            |
| 160         | 000000-00     | No Longer Available | 1            |
| 161         | 905010102710  | ROLL PIN            | 1            |
| 162         | 422020140017  | ARBOR BRACKET       | 1            |
| 163         | 902070207176S | BEARING CLOSURE NUT | 1            |
| 164         | 422191040005  | SPACER              | 1            |
| 165         | 422191300001  | PULLEY HALF         | 1            |
| 166         | 902010201226S | NUT                 | 1            |
| 167         | 422350950002  | REAR TRUNNION       | 1            |
| 168         | 422020140010  | TRUNNION BRACKET-R  | 1            |
| 169         | 422351110001  | SHOULDER SCREW      | 1            |
| 170         | 902010201266  | HEX JAM NUT         | 1            |
| 171         | 904010101636S | WASHER              | 1            |
| 172         | 000000-00     | No Longer Available | 1            |
| 173         | 928030131510  | TORSION SPRING      | 1            |
| 174         | 000000-00     | No Longer Available | 1            |
| 175         | 422350140004  | MOTOR PLATE         | 1            |
| 176         | 82-010        | MTR 1PH 2HP TS10    | 1            |
| 177         | 000000-00     | No Longer Available | 6            |
| 178         | 000000-00     | No Longer Available | 1            |
| 179         | 901041500231S | SET SCREW           | 1            |
| 180         | 49-101        | V-BLT 29-1/8 IN OC  | 1            |
| 181         | 438013022013  | 230V POWER CORD     | 1            |
| 182         | 000000-00     | No Longer Available | 1            |



## Parts List for 36-752 Type 1

| Item Number | Part Number   | Description      | Qty Required |
|-------------|---------------|------------------|--------------|
| 200         | 651028-00     | EXTENSION WING   | 1            |
| 201         | 901010600681  | CAP SCREW        | 3            |
| 202         | 904020101716  | LOCK WASHER      | 3            |
| 203         | 902010101207  | HEX NUT          | 4            |
| 204         | 904020201704S | LOCK WASHER      | 4            |
| 205         | 904010101615  | STEEL WASHER     | 4            |
| 206         | 422041040001  | SPACER           | 4            |
| 207         | 422041125007  | SPECIAL SCREW    | 4            |
| 215         | 422041125007  | SPECIAL SCREW    | 4            |
| 216         | 422040550001  | FRONT GUIDE RAIL | 1            |
| 217         | 422041040001  | SPACER           | 4            |
| 218         | 902010101207  | HEX NUT          | 4            |
| 219         | 422040550002  | REAR GUIDE RAIL  | 1            |
| 220         | 961010107462  | END PLUG         | 4            |
| 225         | 901010600605  | CAP SCREW        | 2            |
| 226         | 904010101620S | WASHER           | 2            |
| 227         | 422040105002  | REAR SLIDE BLOCK | 1            |
| 228         | 905040714459  | STEEL PIN        | 1            |
| 229         | 928010414118  | COIL SPRING      | 1            |
| 230         | 422040270001  | HOOK             | 1            |
| 231         | 422040675001  | LEVER            | 1            |
| 232         | 422041085001  | ROD              | 1            |
| 233         | 422190430001  | FENCE BODY       | 1            |
| 234         | 901010600677  | CAP SCREW        | 2            |
| 235         | 904010331451  | WASHER           | 2            |
| 236         | 491948-00     | SCREW            | 1            |
| 237         | 951010207849  | POINTER          | 1            |

## Parts List for 36-752 Type 1

| Item Number | Part Number   | Description         | Qty Required |
|-------------|---------------|---------------------|--------------|
| 238         | 928010215301  | SPRING              | 1            |
| 239         | 422041055001  | SLEEVE              | 1            |
| 240         | 422040715005  | PIN                 | 1            |
| 241         | 422040715004  | PIN                 | 1            |
| 242         | 422040125005  | FRONT CLAMP BODY    | 1            |
| 243         | 000000-00     | No Longer Available | 1            |
| 244         | 901041606218  | SCREW               | 1            |
| 245         | 928010414123S | SPRING              | 1            |
| 246         | 422043275002  | FRONT CLAMP SHOE    | 1            |
| 247         | 904080214550  | RUBBER BUSHING      | 1            |
| 248         | 422043515002S | KNOB & PINION       | 1            |
| 249         | 928012015898  | SPRING              | 1            |
| 250         | 422041115002  | LEVER               | 1            |
| 251         | 931010114091  | BALL HANDLE         | 1            |
| 275         | 904010101606S | STEEL WASHER        | 3            |
| 276         | 489191-00     | HEX NUT             | 3            |
| 277         | 901010600642  | CAP SCREW           | 3            |
| 278         | 904020201704S | LOCK WASHER         | 3            |
| 279         | 000000-00     | No Longer Available | 1            |
| 856         | 36-150        | 50IN UNIFENCE RAIL  | 1            |
| 856         | 000000-00     | No Longer Available | 1            |
| 856         | 000000-00     | No Longer Available | 1            |
| 856         | 422043125008  | FRONT CLAMP         | 1            |
| 856         | 000000-00     | No Longer Available | 1            |
| 856         | 000000-00     | No Longer Available | 1            |