



POWER EQUIPMENT CORPORATION

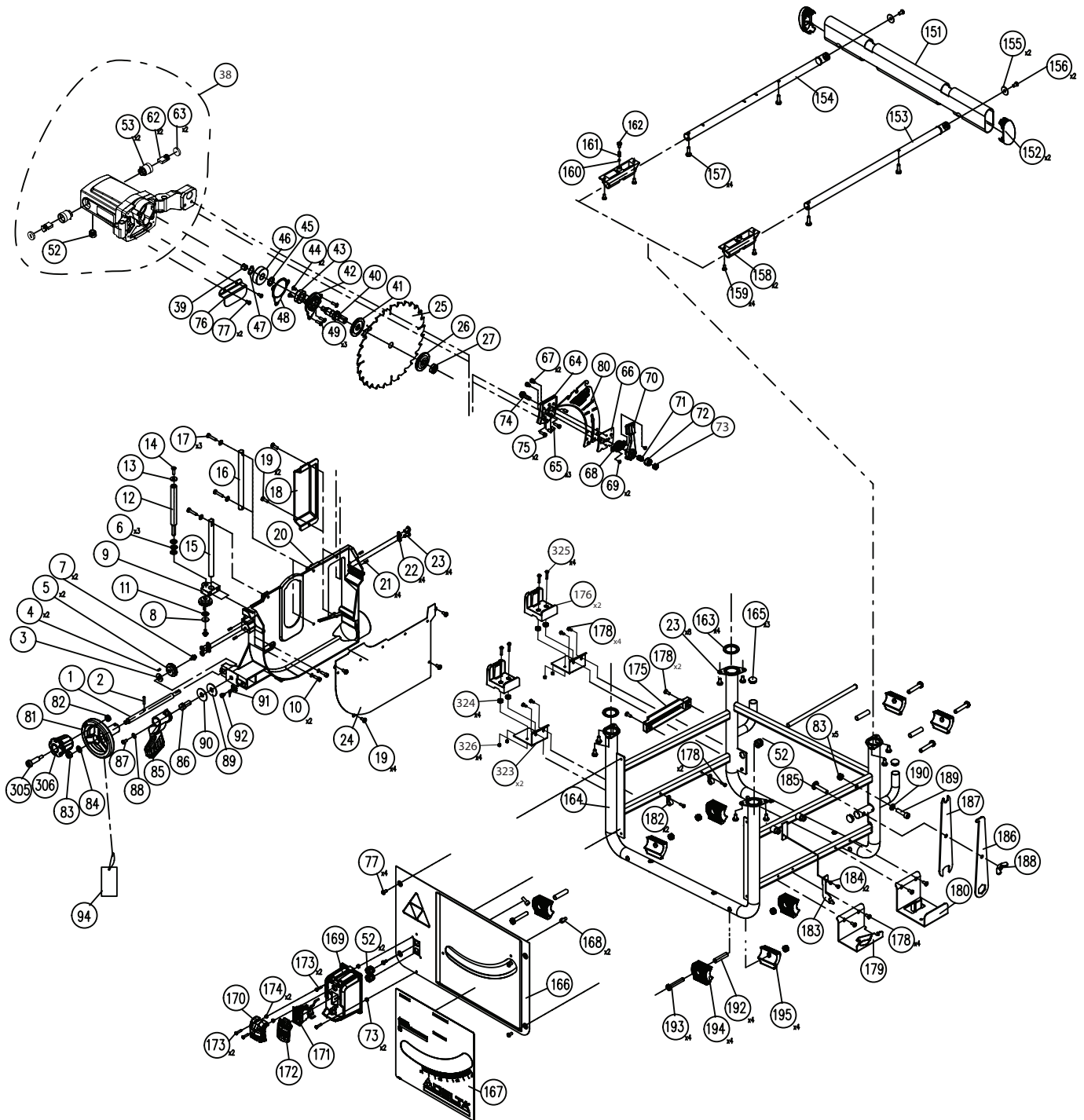
TS-49

PART # DPEC004342

DATE: 04/18/2016

REVISED: 07/30/2018

36-6022 COMPACT PORTABLE TABLE SAW - w/MOBILE STAND





POWER EQUIPMENT CORPORATION

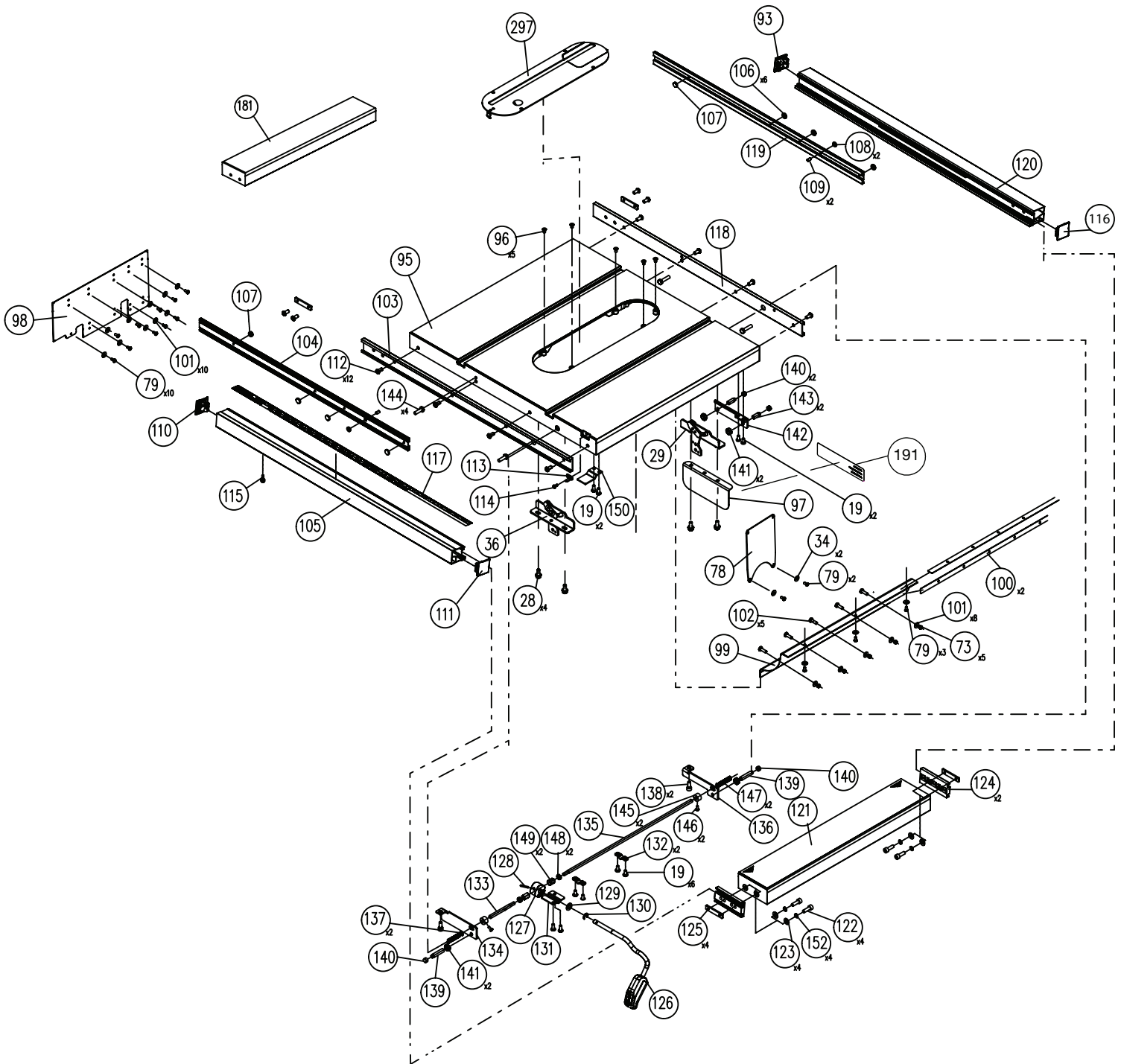
TS-49

PART # DPEC004342

DATE: 04/18/2016

REVISED: 07/30/2018

36-6022 COMPACT PORTABLE TABLE SAW - w/MOBILE STAND





POWER EQUIPMENT CORPORATION

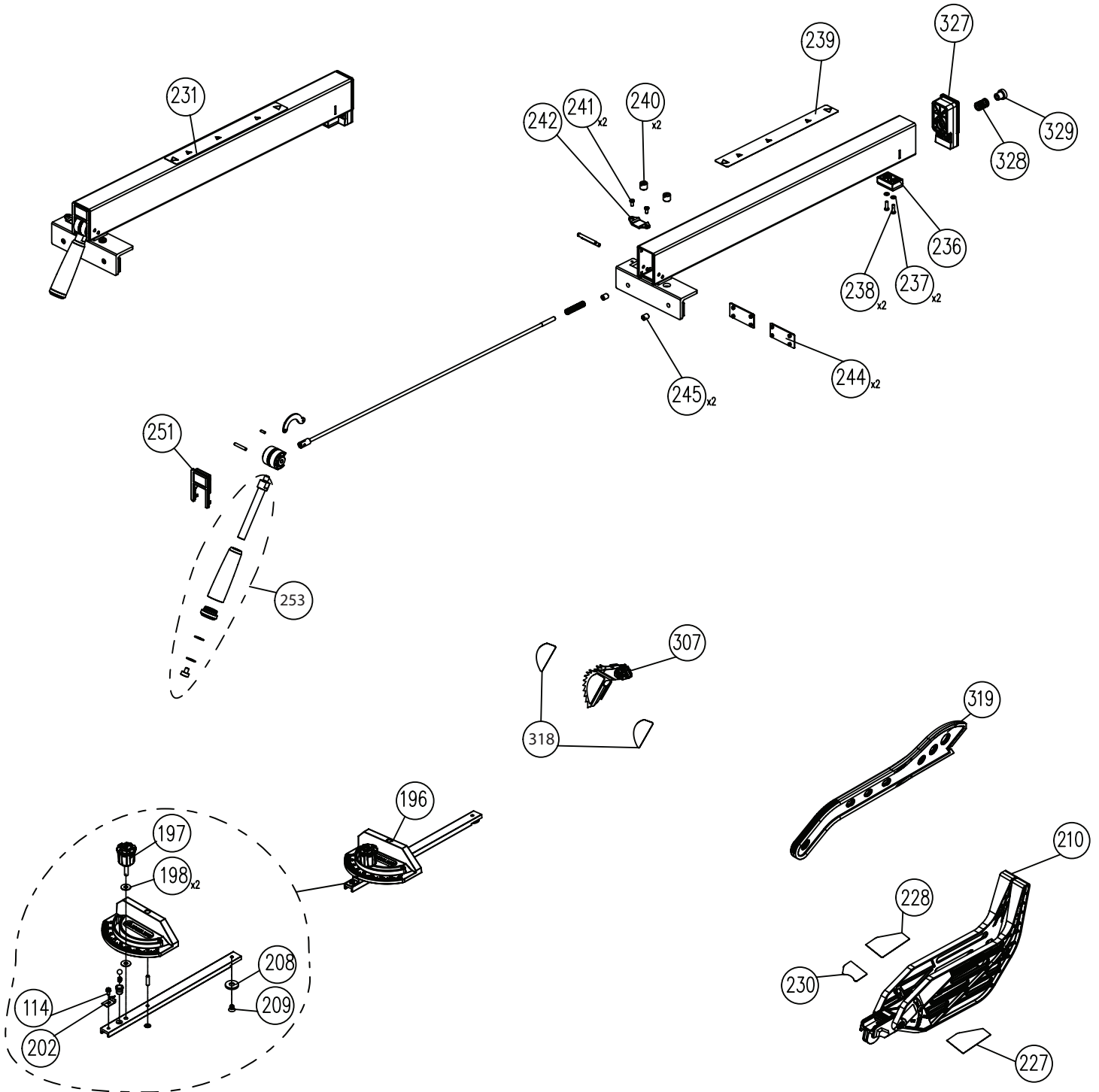
TS-49

PART # DPEC004342

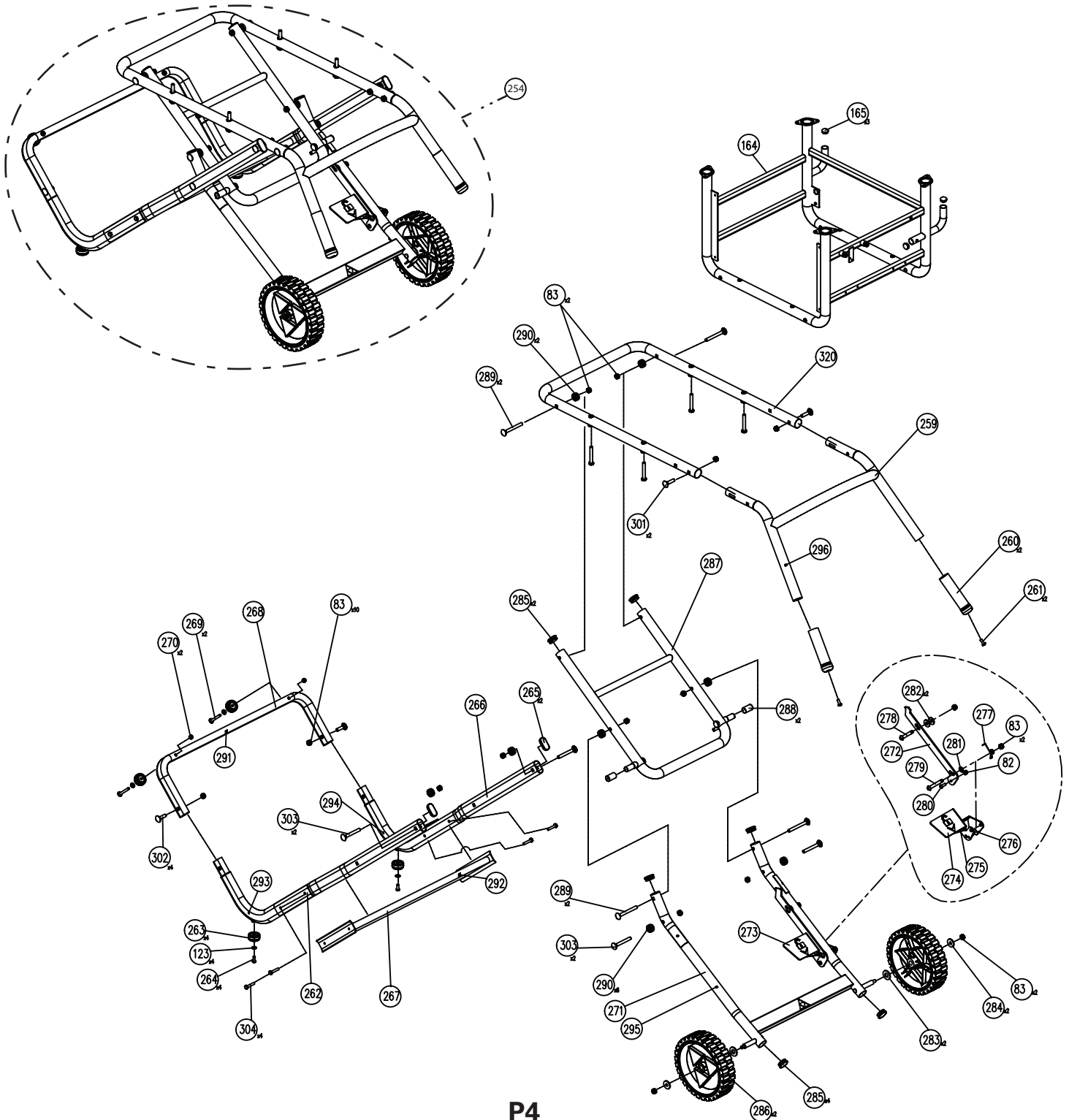
DATE: 04/18/2016

REVISED: 07/30/2018

36-6022 COMPACT PORTABLE TABLE SAW - w/MOBILE STAND



36-6022 COMPACT PORTABLE TABLE SAW - w/MOBILE STAND



REPLACEMENT PARTS

ITEM #	DELTA PART #	DESCRIPTION	QTY	ITEM #	DELTA PART #	DESCRIPTION	QTY
1	DPEC003408	Shaft	1	76	DPEC003463	Motor Base Dust Cover	1
2	***	Spring Pin 4mm X 20L	1	77	***	Phillips Round Head Screw M5 X 10	6
3	***	Washer Flat D8.2 X D20 X 1t	1	78	DPEC004395	Left Dust Cover	1
4	***	Key 3 X 3 X 8mm	2	79	***	Phillips Round Head Screw M4 X 8	15
5	DPEC003412	Bevel Gear PM-300C	2	80	DPEC004362	Riving Knife	1
6	***	Washer Flat D8.2 X D16 X 1t	3	81	DPEC003467	Hand Wheel	1
7	***	Hex Soc Hd Scrw w/Flat Washer M4 X 12	2	82	***	Lock Nut M6 (Black)	2
8	***	Washer Flat D4 X 16 X 1t	1	83	***	Lock Nut M8	23
9	DPEC003416	Rod Supporting PM-300C	1	84	***	Flat Washer D8.2 X D16 X 1.5t	1
10	***	Hex Soc Scrw w/Spring Washer M5 X 12	2	85	DPEC004364	Bevel Locking Lever	1
11	DPEC003418	Conical Washer D8 X D16 X 0.8t	1	86	DPEC003471	Special Hex Screw	1
12	DPEC003419	Lifting Rod Black Oxide	1	87	***	Phillips Round Head Screw M6 X 10	1
13	***	Washer Flat D5 X D16 X 1.5t	1	88	***	Flat Washer D6 X D12 X1t	1
14	***	Pan Head Hex Socket Screw M5 X 12	1	89	DPEC003474	Plastic Flat Washer D10.5 X 32 X 1.5t	1
15	DPEC003422	Sliding Rod Front	1	90	***	Flat Washer D10.5 X 32 X 1t Black	1
16	DPEC003423	Sliding Rod Rear	1	91	DPEC003476	Bevel Indicator	1
17	***	Phillips Rnd Hd M5 X 25 w/Flat Washer	3	92	***	Phillips Round Head Screw M5 X 8	1
18	DPEC004343	Dust Chute Guard	1	93	DPEC004396	Plastic Cap (Back Left)	1
19	***	Buttn Hd Hex Socket Screw M5 X 12	16	94	DPEC003301	Hanging Tag	1
20	DPEC004344	Dust Chute Assembly	1	95	DPEC003479	Table	1
21	***	Spring Pin D4 X 10mm	4	96	***	Phillips Flat Head Screw M5 X 8	5
22	***	Tooth Washer M6	4	97	DPEC003481	Rear Stop Plate	1
23	***	Buttn Hd Hex Socket Screw M6 X 12	12	98	DPEC003482	Left Dust Cover Sheet	1
24	DPEC003430	Dust Chute Cover	1	99	DPEC003483	Right Dust Cover Sheet	1
25	***	Blade 10" 28T	1	100	DPEC003484	Right Cover Sheet Plate	2
26	DPEC003432	Blade Flange	1	101	***	Flat Washer D4 X D12 X 1t	15
27	DPEC003433	Blade Nut	1	102	***	Phillips Round Head Screw M4 X 6	5
28	***	Bn Hd Hex Soc Srw M6 X 16 w/ Washer	4	103	DPEC004365	Front Rail	1
29	DPEC003435	Rear Support Plate Assembly	1	104	DPEC004366	Front Middle Rail	1
34	***	Washer Flat D4.1 X 7.5 X 1.2t	2	105	DPEC004367	Front Slide Rail	1
36	DPEC003436	Front Support Plate Assembly	1	106	DPEC003490	Middle Rail Sleeve	3
38	DPEC003437	Motor Assembly	1	107	DPEC003491	Middle Rail Stop	2
39	DPEC003439	Needle Bearing	1	108	DPEC003492	Middle Rail Insert	2
40	DPEC003440	Shaft	1	109	***	Set Screw M5 X 8	2
41	DPEC003441	Inner Blade Flange	1	110	DPEC004368	Rail Cap (Left)	1
42	DPEC003442	Bearing Cover	1	111	DPEC004369	Rail Cap (Right)	1
43	DPEC003443	Bearing	1	112	***	Pan Head Hex Socket Screw M6 X 12	12
44	***	Torx Screw M5 X 8	2	113	DPEC003496	Pointer	1
45	DPEC003445	Spacer Ring D17.05 X D24 X 2t	1	114	***	Phillips Screw M4 X 8 w/Flat Washer	2
46	DPEC003446	Drive Gear	1	115	***	Phillips Screw M6 X 12 w/Spring Washer	1
47	DPEC003447	C-Ring S-17	1	116	DPEC004397	Plastic Cap (Back Left)	1
48	DPEC003448	Gasket	1	117	DPEC004370	Scale Ruler	1
49	***	Torx Screw M5 X 12	3	118	DPEC004371	Rear Aluminium Rail	1
50	***	Spring Washer M6	4	119	DPEC004372	Rear Middle Rail	1
52	DPEC003565	Cable Clamp	4	120	DPEC004373	Rear Slide Rail	1
53	DPEC003450	Brush Holder	2	121	DPEC003504	Extension Wing	1
62	DPEC003451	Brush 17 X 17 X 7	2	122	***	Hex Socket Bolt M6 X 20	4
63	DPEC003452	Brush Cap	2	123	***	Flat Washer D6 X D14 X1t	8
64	DPEC004353	Riving Knife Assembly	1	124	DPEC004375	Extension Wing Plate	2
65	***	Set Screw M6 X 10	3	125	DPEC003508	Fixed Rail Plate	4
66	DPEC004354	Riving Knife Cover Plate	1	126	DPEC003509	Fixed Rod Handle	1
67	DPEC004355	Shoulder Screw	2	127	DPEC003510	Cam	1
68	DPEC004268	Riving Knife Lock Lever Base	1	128	DPEC003511	Spring Pin D3 X 28	1
69	***	Torx Flat Head Screw M4 X 5.3	2	129	***	Flat Washer D8 X D16 X 1t	1
70	DPEC003459	Riving Knife Release Handle	1	130	DPEC002216	E-Ring E7	1
71	DPEC004271	Compression Spring	1	131	DPEC003512	Fixed Rod Press Buckle	1
72	DPEC003582	Plastic Flat Washer D6 X D16 X 1t	1	132	DPEC003513	Mandrel Press Buckle	2
73	***	Lock Nut M8	3	133	DPEC003514	Front Push Rod	1
74	***	Hex Head Screw M8 X 36	1	134	DPEC003515	Front Rail Push Pedal	1
75	***	Hex Hd Bolt M5 X 20 (2mm end thread)	2	135	DPEC003516	Rear Push Rod	1

***= Item is standard hardware and should be purchased from a local hardware or home improvement store. Colors may vary.

REPLACEMENT PARTS

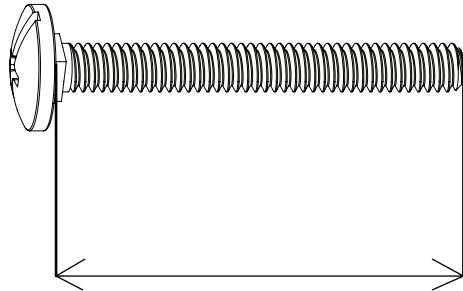
ITEM #	DELTA PART #	DESCRIPTION	QTY	ITEM #	DELTA PART #	DESCRIPTION	QTY
136	DPEC003517	Rear Rail Push Pedal	1	197	DPEC003581	Miter Gage Locking Handle Assembly	1
137	***	Flat Washer D7 X D10 X 1t	2	198	DPEC003582	Plastic Flat Washer	2
138	DPEC003519	Hex Socket Shoulder Screw M6 X 14.8	2	202	DPEC003586	Miter Gage Angle Pointer	1
139	DPEC003520	Set Screw M8 X 35	2	208	DPEC004383	Slide Block	1
140	DPEC003521	Rail Fixed Sleeve	4	209	***	Phillips Flat Head Screw M6 X 8	1
141	***	Hex Nut M8	4	210	DPEC003593	Guard Assembly	1
142	DPEC003522	L-Plate	1	227	DPEC003594	Right Guard Warning Label	1
143	DPEC003523	Rail Adjustment Screw M8 X 20	2	228	DPEC003595	Left Guard Warning Label	1
144	DPEC003524	Plastic Flat Set Screw M5 X 6	4	230	DPEC003597	Small Guard Warning Label	1
145	DPEC003525	Spring Fixed Block	2	231	DPEC004384	Fence Assembly	1
146	***	Phillips Round Head Screw M4 X 8	2	236	DPEC004386	Fence Leveling Block Rear	1
147	DPEC003526	Compression Spring	2	237	***	Flat Washer 4 X 18 X 1t	2
148	***	Hex Nut M6	2	238	***	Screw M4 X 13 Black Oxide	2
149	DPEC003527	Special Hex Cap Nut	2	239	DPEC004388	Fence Warning Label	1
150	DPEC003528	Rail Stop Plate	1	240	DPEC004389	Plastic Fence Screw M12 X 11	2
151	DPEC003486	Rear Extension Wing	1	241	***	Phillips Round Head Screw M4 X 8	2
152	DPEC003531	Ellipse tube Cap	2	242	DPEC004391	Sight Indicator	1
153	DPEC003532	Rear Extension Wing Left Tube	1	244	DPEC004392	Fence Leveling Block Front	2
154	DPEC003533	Rear Extension Wing Right tube	1	245	***	Set Screw M8 X 10	2
155	***	Flat Washer D6.2 X D22 X 1.5t	2	251	DPEC004394	Front Fence Cover	1
156	***	Button Head Hex Socket Screw M6 X 12	2	253	DPEC003243	Handle Assembly	1
157	***	Button Head Hex Socket Screw M6 X 20	6	254	DPEC004399	Stand Assembly	1
158	DPEC003537	Tube Base	2	259	DPEC003615	Stand Handle Assembly	1
159	***	Button Head Hex Socket Screw M5 X 10	4	260	DPEC003616	Handle	2
160	DPEC003538	Steel Ball 5MM	1	261	***	Phillips Round Head M6 X 15	2
161	DPEC003539	Compression Spring	1	262	DPEC004400	Left Support Rod Assembly	1
162	***	Hex Socket Cap Screw M5 X 8	1	263	DPEC003374	Stand Foot Pad	4
163	DPEC003541	Buffer Pad	4	264	***	Pan Head Hex Socket Screw M6 X 16	2
164	DPEC004376	Main Frame Weld Assembly	1	265	DPEC003620	Ellipse Tube Cap	2
165	DPEC003543	Flat Tube Cap	3	266	DPEC004401	Right support Rod Assembly	1
166	DPEC004377	Front Plate Assembly	1	267	DPEC003622	Fixed Cross Rod Assembly	1
167	DPEC004378	Front Plate Label	1	268	DPEC003623	Support Rod Connect Tube	1
168	***	Hex Socket Head Cap Screw M6 X 15	2	269	***	Pan Head Hex Socket Scw M6 X 50	2
169	DPEC004379	On/Off Switch Box	1	270	***	Lock Nut M6	2
170	DPEC003548	On/Off Switch Front Paddle	1	271	DPEC004402	Wheel Stand Assembly	1
171	DPEC003549	On/Off Switch	1	272	DPEC003626	Stand Press Plate	1
172	DPEC003550	On/Off Switch Paddle	1	273	DPEC003627	Stand Pedal Assembly	1
173	***	Phillips Head Screw M4 X 18	4	274	DPEC003628	Stand Pedal	1
174	***	Hex Nut M4	2	277	DPEC003629	Stand Torsion Spring	1
175	DPEC003478	Miter Gage Fixed Base	1	278	***	Pan Head Hex Socket Screw M8 X 45	1
176	DPEC004380	Fence Locating Base	2	279	***	Pan Head Hex Socket Screw M8 X 55	1
178	DPEC003562	Sheet Metal Screw M5 X 12	12	280	***	Pan Head Hex Socket Screw M6 X 15	1
179	DPEC003563	Guard Assembly Fixed Storage Bracket	1	281	DPEC003633	Flat Washer D8 X D16 X 2t	1
180	DPEC003564	Guard Assembly Fixed Support Bracket	1	282	DPEC003933	Flat Washer D8 X D22 X 2.5t	2
181	DPEC004398	Side Table	1	283	DPEC003384	Flat Washer D13 X D28 X 2.8t	2
182	***	Wire Clamp	2	284	DPEC003634	Flat Washer D8 X D25 X 3t	2
183	DPEC003568	Stop Plate	1	285	DPEC003635	Flat Tube Cap	6
184	***	Phillips Flat Head Screw M4 X 6	2	286	DPEC003382	Stand Wheel 8"	2
185	***	Carriage Screw M8 X 35	1	287	DPEC004403	Support Arm Assembly	1
186	DPEC003571	Box End Wrench	1	288	DPEC003343	Support Column Sleeve	2
187	DPEC003572	Open End Wrench	1	289	***	Carriage Screw M8 X 75	4
188	***	Wing Nut M8	1	290	DPEC003579	Spacer	8
189	***	Hex Socket Head Screw M8 X 25	1	297	DPEC003636	Throat Plate Assembly	1
190	***	Spring Washer M8	1	301	***	Carriage Screw M8 X 35	2
191	DPEC002705	Warning Label	1	302	***	Carriage Screw M8 X 30	2
192	DPEC003647	Front Screw Sleeve	4	303	***	Carriage Screw M8 X 67	4
193	***	Round Head Star Screw M8 X 50	4	304	***	Hex Head Bolt M6 X 50	4
194	DPEC004381	Front Stand Foot Pad	4	305	DPEC003640	Hand Wheel Shoulder Screw M6	1
195	DPEC004382	Rear Stand Foot Pad	4	306	DPEC004407	Hand Wheel Handle	1
196	DPEC004380	Miter Gage Assembly	1	307	DPEC004408	Anti Kick Pawls	1

***= Item is standard hardware and should be purchased from a local hardware or home improvement store. Colors may vary.

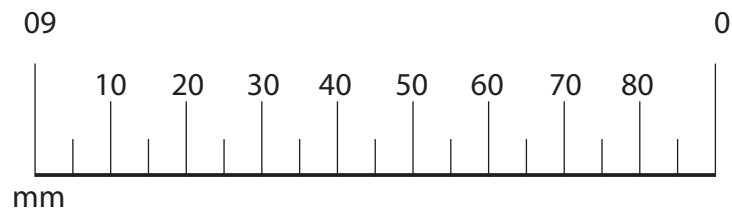
REPLACEMENT PARTS

ITEM #	DELTA PART #	DESCRIPTION	QTY	ITEM #	DELTA PART #	DESCRIPTION	QTY
318	DPEC004409	Anti Kick Pawls Warning Label	2				
320	DPEC004404	Upper Stand Tube Assembly	1				
323	DPEC004478	Fence Support Plate	2				
324	DPEC004479	Fence Support Plate Ring	4				
325	***	Round Head Phillips Screw M5 X 25L	4				
326	***	Lock Nut M5	4				
327	DPEC005301	Rear Clamp Steel Reinforced	1				
328	DPEC005302	Rear Clamp Spring	1				
329	DPEC005303	Rear Clamp Nut	1				

***= Item is standard hardware and should be purchased from a local hardware or home improvement store. Colors may vary.



*For proper measurement technique,
measure the distance between the
bolt-head flange and the end of the bolt.
This is demonstrated in the picture above.



* This ruler should be used for reference during the
assembly.