



# SERVICE PARTS LIST

BULLETIN NO.  
54-46-2431

SPECIFY CATALOG NO. AND SERIAL NO. WHEN ORDERING PARTS		REVISED BULLETIN 54-46-2430	DATE Mar. '94
<b>PIPE CLAMP DRILL STAND</b>			
CATALOG NO.	3570	SERIAL NUMBER	692A
		WIRING INSTRUCTION 58-01-0970	

00/0

EXAMPLE:  
Component Parts ( Small #) Are Included  
When Ordering The Assembly (Large #).

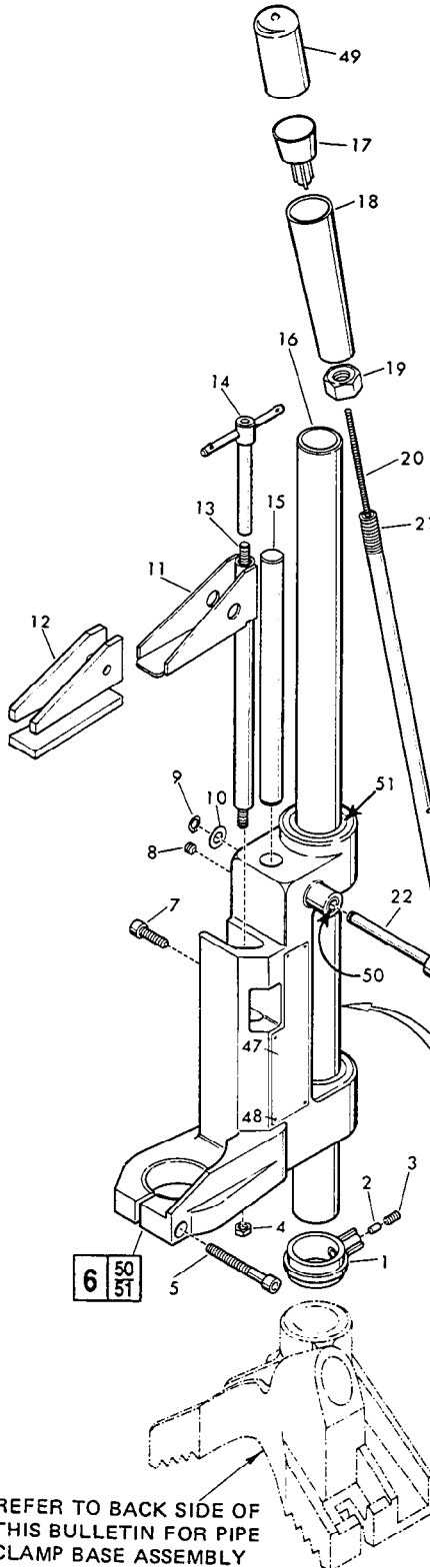


FIG.	PART NO.	DESCRIPTION OF PART	NO. REQ.
1	31-17-0210	Depth Stop Clamp	(1)
2	45-30-0160	Brass Slug	(1)
3	06-83-2670	1/4-20 x 1/2" Knrf. Set Screw	(1)
4	06-55-1525	1/4-20 Hex Nut	(1)
5	06-75-4215	5/16-18 x 2-1/4" Skt. Hd. Screw	(1)
6	30-84-0205	Slide Assembly	(1)
7	06-75-3975	5/16 -18 x 1" Skt. Hd. Screw	(1)
8	06-83-2625	1/4-20 x 1/4" Set Screw	(5)
9	34-60-0700	Retaining Ring	(1)
10	45-88-0250	Washer	(1)
11	42-68-0525	Drill Clamp Assembly	(1)
12	44-52-0240	Pad Set	(1)
13	45-58-0290	Clamp Stud	(1)
14	44-40-0595	Clamp Nut Assembly	(1)
15	43-56-0370	Guide	(1)
16	42-78-0100	Column	(1)
17	42-42-0260	Rod Switch Button	(1)
18	43-98-0260	Handle Knob	(1)
19	06-55-3100	1/2-20 Hex Nut	(1)
20	44-94-0310	Push Rod	(1)
21	45-10-0085	Handle Shank	(1)
22	45-08-0190	Shaft	(1)
23	40-50-2210	Return Spring	(1)
24	42-40-0800	Bushing	(1)
25	42-68-0515	Slide Clamp Assembly	(1)
26	44-20-0120	Slide Lock	(1)
27	40-50-1015	Slide Lock Spring	(1)
28	44-14-0140	Link	(1)
29	45-04-0675	Clamp Screw Assembly	(1)
30	23-66-1385	Switch	(1)
31	31-12-0170	Rod End Cap	(1)
32	44-64-0070	Pivot	(2)
33	44-86-0401	Retainer	(1)
34	06-81-5692	10-24 x 1/2" Pan Hd. Sem.	(2)
35	06-95-0137	7 x 1-1/8" Pan Hd. Pozidriv Screw	(7)
36	31-50-5005	Housing - Left Half	(1)
37	31-50-5000	Housing - Right Half	(1)
38	44-66-5520	Mounting Plate	(1)
39	06-97-4050	1/4 Split Ring Lockwasher	(3)
40	06-75-2950	1/4-20 x 1/2" Skt. Hd. Cap Screw	(3)
41	31-17-0156	Cord Clamp	(1)
★ 42	06-82-7270	8-16 x 5/8" Pan Hd. Sit. Plast. T-20	(2)
43	06-95-5150	6-32 X 1/4" Hex Hd. Taptite Sorm	(1)
44	23-33-0420	Receptacle	(1)
45	44-76-0210	Cord Protector	(1)
★ 46	22-64-3190	Cord Set	(1)
★ 47	12-99-3205	Service Nameplate	(1)
48	06-85-0200	Nameplate Screw	(5)
49	42-92-0550	Handle Cover	(1)
50	42-40-0700	Bushing	(2)
51	42-40-0750	Bushing	(2)

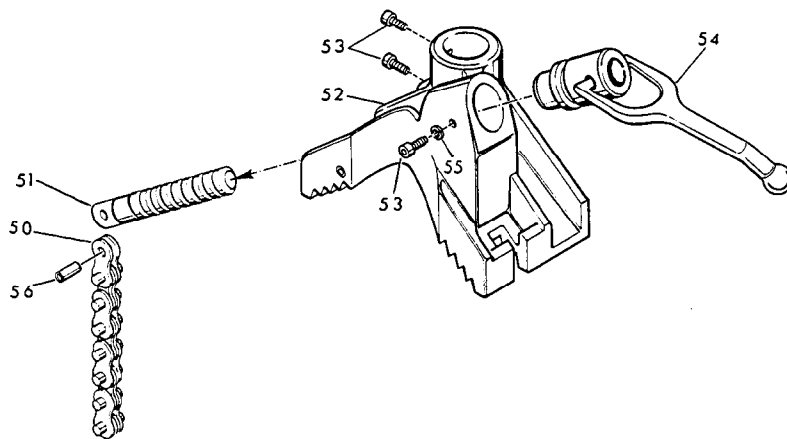


FIG.	PART NO.	DESCRIPTION OF PART	NO. REQ.
50	42-60-0170	Wrench Chain	(1)
51	42-32-0240	Chain Bolt	(1)
52	28-06-1015	Pipe Clamp Base Assembly	(1)
53	06-75-2950	1/4-20 x 1/2" Skt. Hd. Cap Screw	(3)
54	30-44-0195	Crank Handle Assembly	(1)
55	06-97-4050	1/4 Split Ring Lockwasher	(1)
56	06-65-3575	1/4 x 5/8" Spring Pin	(1)

**PARTS NOT SHOWN**

23-78-0150	Elastic Tie	(2)
42-04-0630	Clamp Adapter - For Compact Drills	(1)
06-81-4213	Clamp Adapter Screw	(2)
42-04-0640	Adapter Ring For Magnums & D-Handle Drills	(1)
42-04-0650	Adapter Ring For Compact Drills	(1)
49-96-0060	1/8" Hex Socket Wrench	(1)
49-96-0080	3/16" Hex Socket Wrench	(1)
49-96-0100	1/4" Hex Socket Wrench	(1)