



SERVICE PARTS LIST

BULLETIN NO.
54-46-2430

SPECIFY CATALOG NO. AND SERIAL NO. WHEN ORDERING PARTS		REVISED BULLETIN	DATE
PIPE CLAMP DRILL STAND			Mar. '91
CATALOG NO. 3570	SERIAL NUMBER 692-1001	WIRING INSTRUCTION 58-01-0970	

EXAMPLE: Component Parts (Small #) Are Included When Ordering The Assembly (Large #).

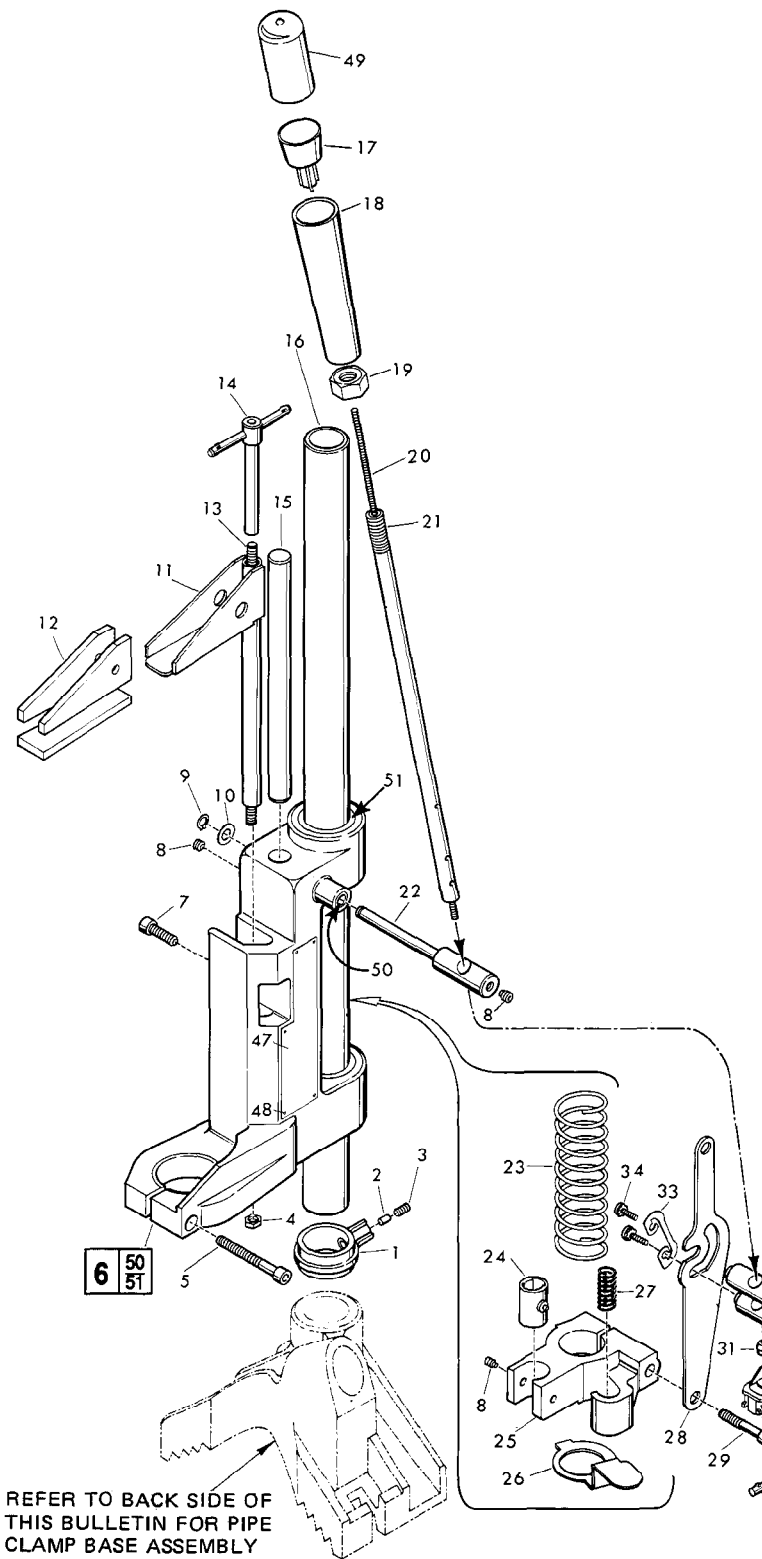


FIG. PART NO.	DESCRIPTION OF PART	NO. REQ.
1	31-17-0210 Depth Stop Clamp	(1)
2	45-30-0160 Brass Slug	(1)
3	06-83-2670 1/4-20 x 1/2" Knrl. Set Screw	(1)
4	06-55-1525 1/4-20 Hex Nut	(1)
5	06-75-4215 5/16-18 x 2-1/4" Skt. Hd. Screw	(1)
6	30-84-0205 Slide Assembly	(1)
7	06-75-3975 5/16 -18 x 1" Skt. Hd. Screw	(1)
8	06-83-2625 1/4-20 x 1/4" Set Screw	(5)
9	34-60-0700 Retaining Ring	(1)
10	45-88-0250 Washer	(1)
11	42-68-0525 Drill Clamp Assembly	(1)
12	44-52-0240 Pad Set	(1)
13	45-58-0290 Clamp Stud	(1)
14	44-40-0595 Clamp Nut Assembly	(1)
15	43-56-0370 Guide	(1)
16	42-78-0100 Column	(1)
17	42-42-0260 Rod Switch Button	(1)
18	43-98-0260 Handle Knob	(1)
19	06-55-3100 1/2-20 Hex Nut	(1)
20	44-94-0310 Push Rod	(1)
21	45-10-0085 Handle Shank	(1)
22	45-08-0190 Shaft	(1)
23	40-50-2210 Return Spring	(1)
24	42-40-0800 Bushing	(1)
25	42-68-0515 Slide Clamp Assembly	(1)
26	44-20-0120 Slide Lock	(1)
27	40-50-1015 Slide Lock Spring	(1)
28	44-14-0140 Link	(1)
29	45-04-0675 Clamp Screw Assembly	(1)
30	23-66-1385 Switch	(1)
31	31-12-0170 Rod End Cap	(1)
32	44-64-0070 Pivot	(2)
33	44-86-0401 Retainer	(1)
34	06-81-5692 10-24 x 1/2" Pan Hd. Sem.	(2)
35	06-95-0137 7 x 1-1/8" Pan Hd. Pozidriv Screw	(7)
36	31-50-5005 Housing - Left Half	(1)
37	31-50-5000 Housing - Right Half	(1)
38	44-66-5520 Mounting Plate	(1)
39	06-97-4050 1/4 Split Ring Lockwasher	(1)
40	06-75-2950 1/4-20 x 1/2" Skt. Hd. Cap Screw	(3)
41	31-17-0156 Cord Clamp	(1)
42	06-95-0216 8-16 x 5/8" Hex Hd. Taptite Screw	(2)
43	06-95-5150 6-32 X 1/4" Hex Hd. Taptite Sem	(1)
44	23-33-0420 Receptacle	(1)
45	44-76-0210 Cord Protector	(1)
46	22-64-0155 Cord Set	(1)
47	12-99-0400 Nameplate Blank	(1)
48	06-85-0200 Nameplate Screw	(5)
49	42-92-0550 Handle Cover	(1)
50	42-40-0700 Bushing	(2)
51	42-40-0750 Bushing	(2)

REFER TO BACK SIDE OF THIS BULLETIN FOR PIPE CLAMP BASE ASSEMBLY

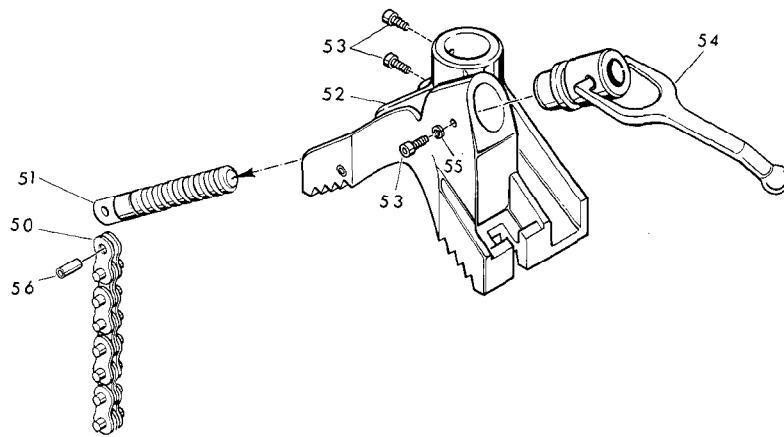


FIG.	PART NO.	DESCRIPTION OF PART	NO. REQ.
50	42-60-0170	Wrench Chain	(1)
51	42-32-0240	Chain Bolt	(1)
52	28-06-1015	Pipe Clamp Base Assembly	(1)
53	06-75-2950	1/4-20 x 1/2" Skt. Hd. Cap Screw	(3)
54	30-44-0195	Crank Handle Assembly	(1)
55	06-97-4050	1/4 Split Ring Lockwasher	(1)
56	06-65-3575	1/4 x 5/8" Spring Pin	(1)

PARTS NOT SHOWN

23-78-0150	Elastic Tie	(2)
42-04-0630	Clamp Adapter - For Compact Drills	(1)
06-81-4213	Clamp Adapter Screw	(2)
42-04-0640	Adapter Ring For Magnums & D-Handle Drills	(1)
42-04-0650	Adapter Ring For Compact Drills	(1)
49-96-0060	1/8" Hex Socket Wrench	(1)
49-96-0080	3/16" Hex Socket Wrench	(1)
49-96-0100	1/4" Hex Socket Wrench	(1)