



# 357

**Spare parts**

**Ersatzteile**

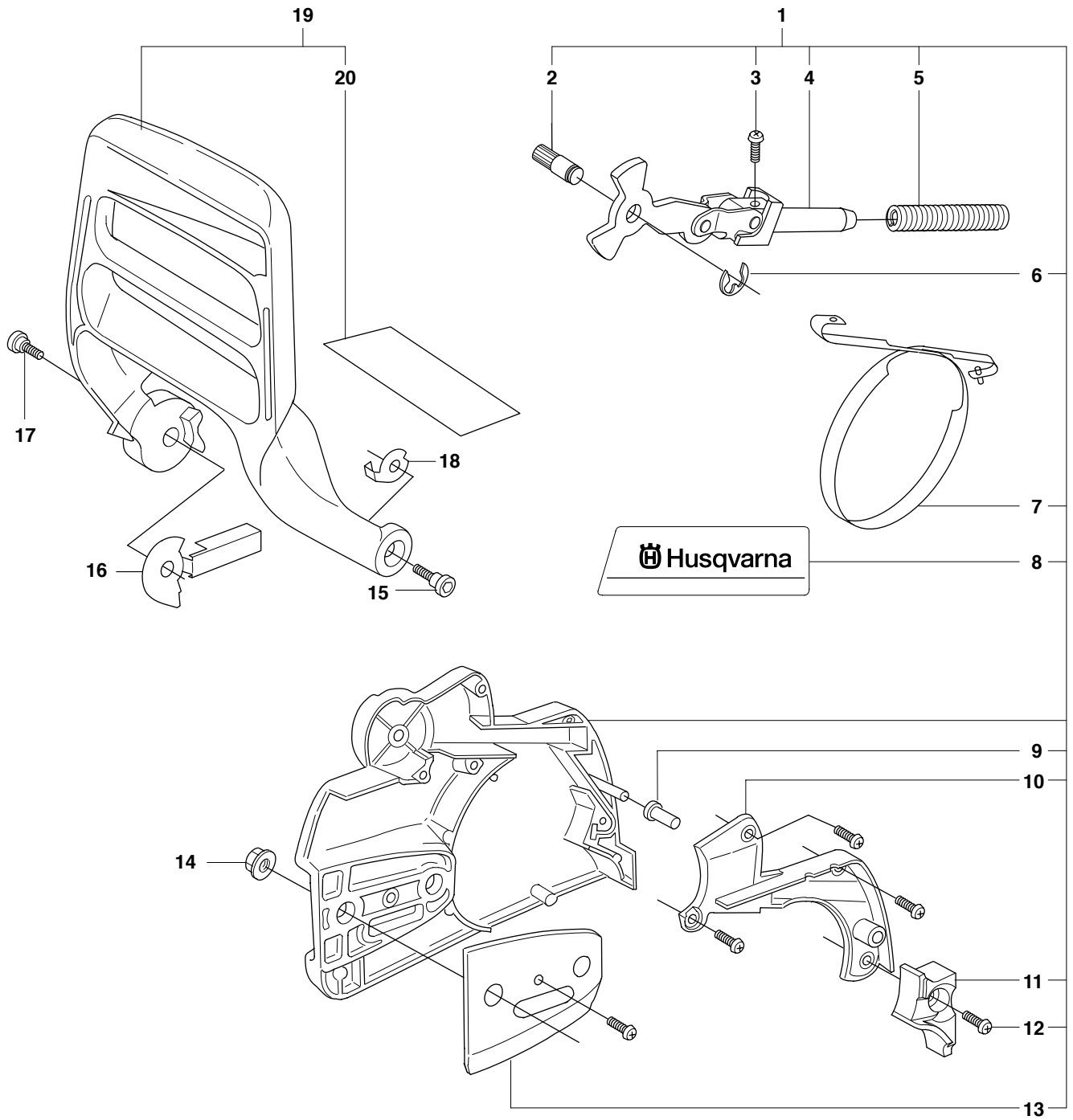
**Pièces détachées**

**Reserve onderdelen**

**Repuestos**

**Reservdelar**

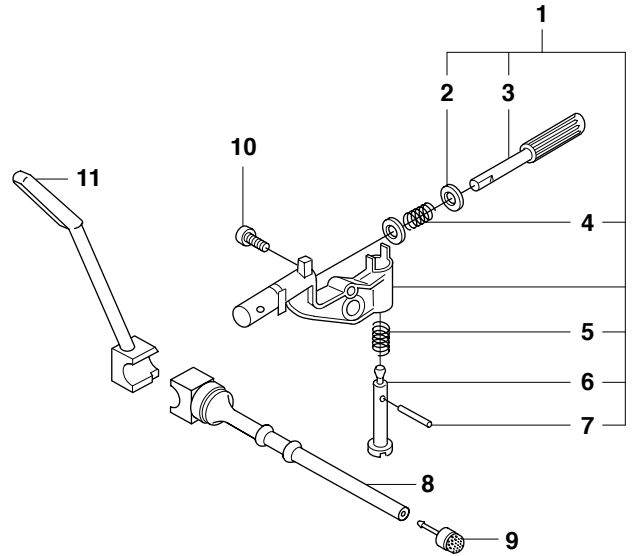
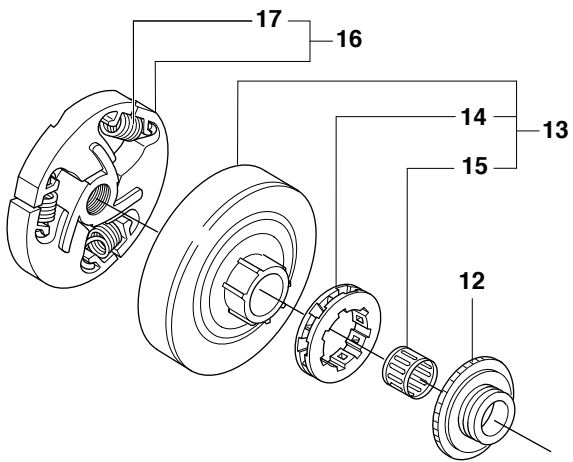
**A** 357  
CHAIN BRAKE



## CHAIN BRAKE

Position	Article	Quantity	Notes	Kit
1	537 10 78-03	1		
2	503 89 29-01	1		1
3	503 21 70-10	1		1
4	503 89 08-02	1		1
5	503 46 59-01	1		1
6	735 31 08-20	1		1
7	537 04 30-01	1		1
8	537 37 04-01	1		1
9	503 85 52-01	1		1
10	537 10 80-02	1		1
11	537 08 90-01	1		1
12	503 21 70-10	5		1
13	503 85 66-01	1		1
14	503 22 00-01	2		
15	503 89 30-03	1		
16	537 02 99-01	1		
17	503 89 30-03	1		
18	503 23 00-71	1		
19	537 15 93-02	1		
20	537 15 27-01	1		19

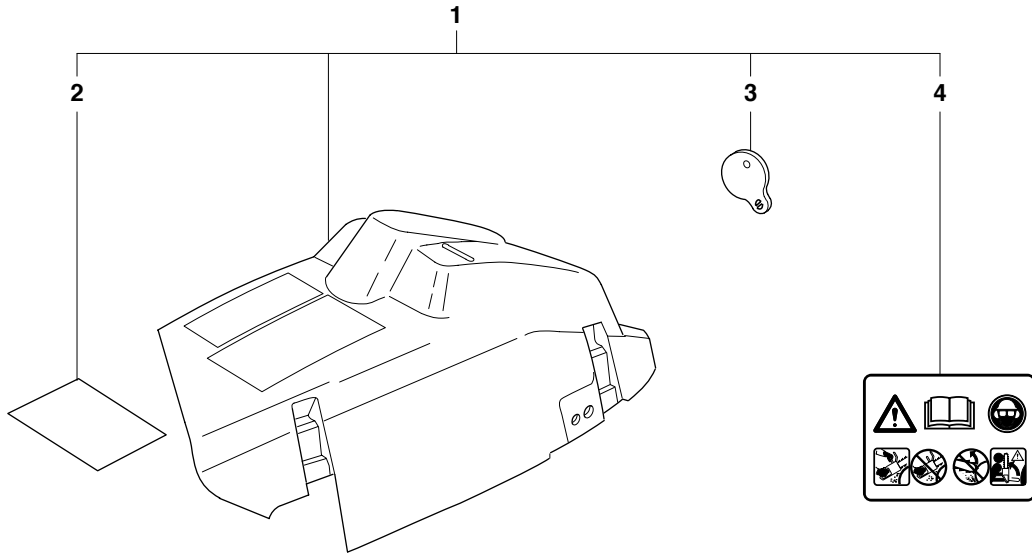
**B** 357  
CLUTCH & OIL PUMP



## CLUTCH &amp; OIL PUMP

Position	Article	Quantity	Notes	Kit
1	544 18 01-04	1		
2	503 23 00-60	2		1
3	537 06 93-02	1		1
4	503 89 16-01	1		1
5	503 89 15-01	1		1
6	537 02 71-01	1		1
7	721 11 64-30	1		1
8	537 10 11-01	1		
9	503 96 75-01	1		
10	503 21 74-12	1		
11	537 09 18-01	1		
12	503 91 27-03	1	.325x7T	
12	503 91 29-03	1	3/8"x7T	
13	503 98 00-02	1	.325x7T	
13	503 93 48-71	1	3/8"x7T	
14	501 45 74-02	1	.325x7T	13
14	501 59 80-02	1	3/8"x7T	13
15	503 25 52-01	1		13
16	537 10 34-03	1		
17	537 16 69-01	1		16

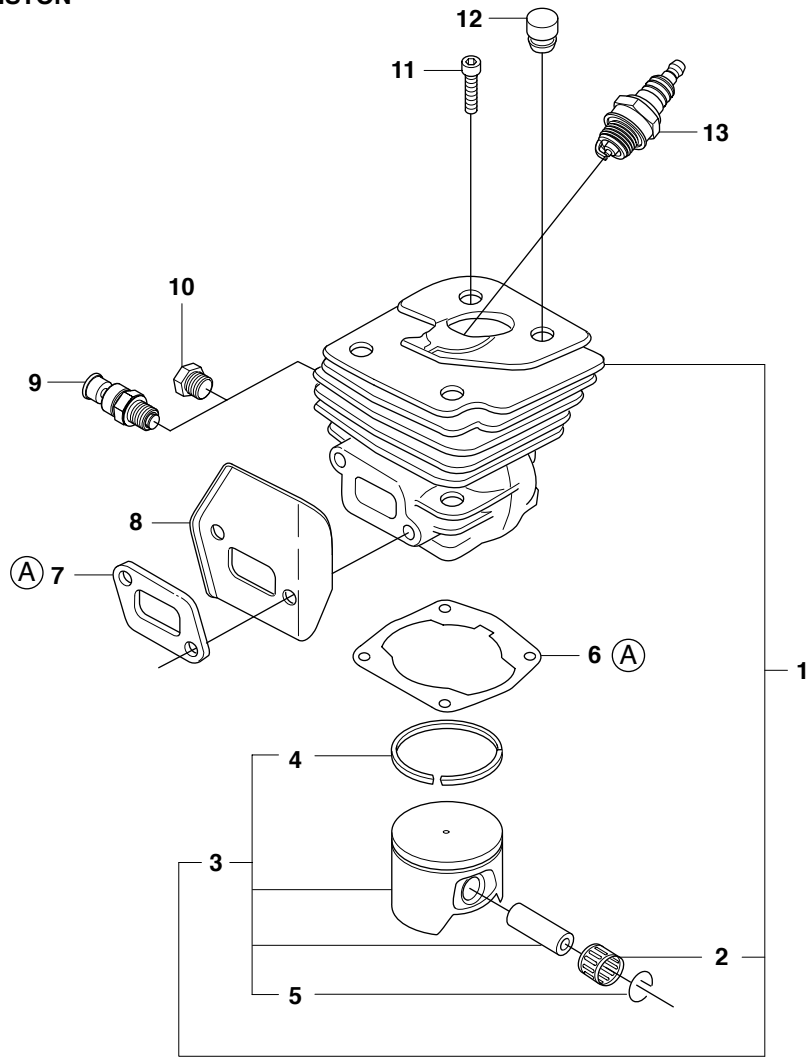
**C 357**  
**CYLINDER COVER**



CYLINDER COVER

Position	Article	Quantity	Notes	Kit
1	503 92 80-02	1		
2	503 84 59-01	1		1
3	501 63 97-01	1		1
4	503 98 74-01	1		1

**D** 357  
CYLINDER PISTON



14

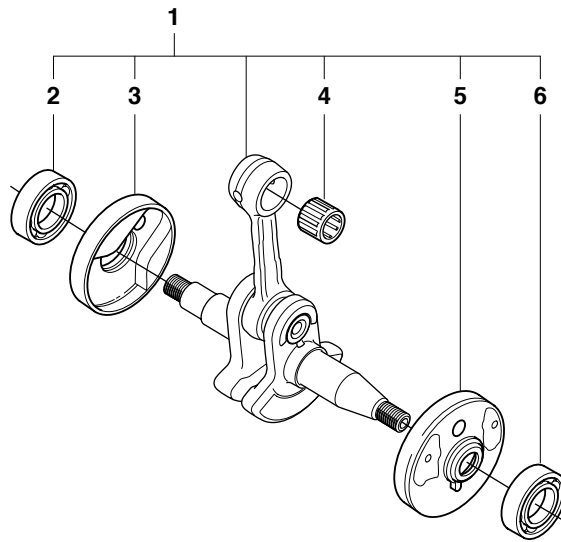
Ⓐ 503 97 85-01  
Set of gaskets



## CYLINDER PISTON

Position	Article	Quantity	Notes	Kit
1	537 24 85-04	1		
2	503 25 56-01	1		1
3	537 21 96-02	1		1
4	503 28 90-14	1		3
5	737 43 12-00	2		3
6	503 96 66-01	1		14
7	503 91 66-01	1		14
8	503 91 65-02	1		
9	503 71 53-01	1		
10	503 55 22-01	1		
11	725 53 33-55	4		
12	537 02 26-01	1		
13	503 23 51-08	1	RCJ 7Y	
14	503 97 85-01	1	A = Set of gaskets	

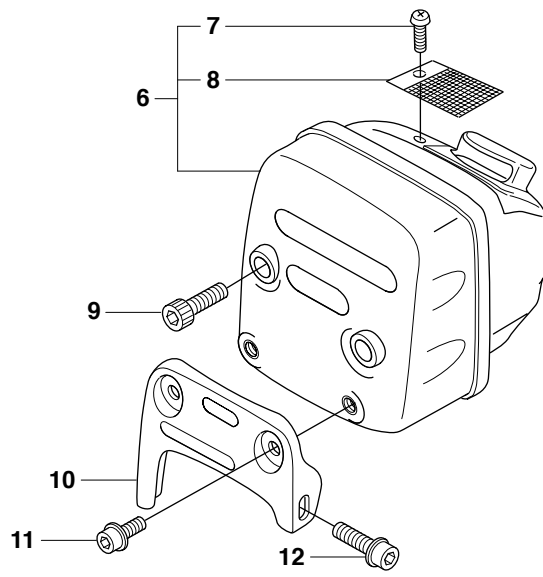
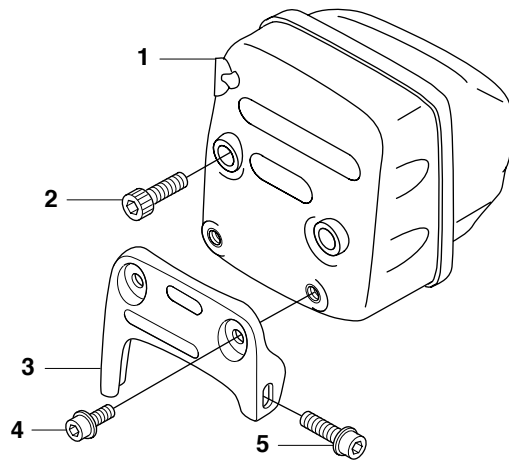
**E** 357  
CRANK SHAFT



CRANK SHAFT

Position	Article	Quantity	Notes	Kit
1	537 21 92-01	1		
2	738 22 02-25	1		1
3	503 97 00-02	1		1
4	503 25 56-01	1		1
5	503 97 00-01	1		1
6	738 22 02-25	1		1

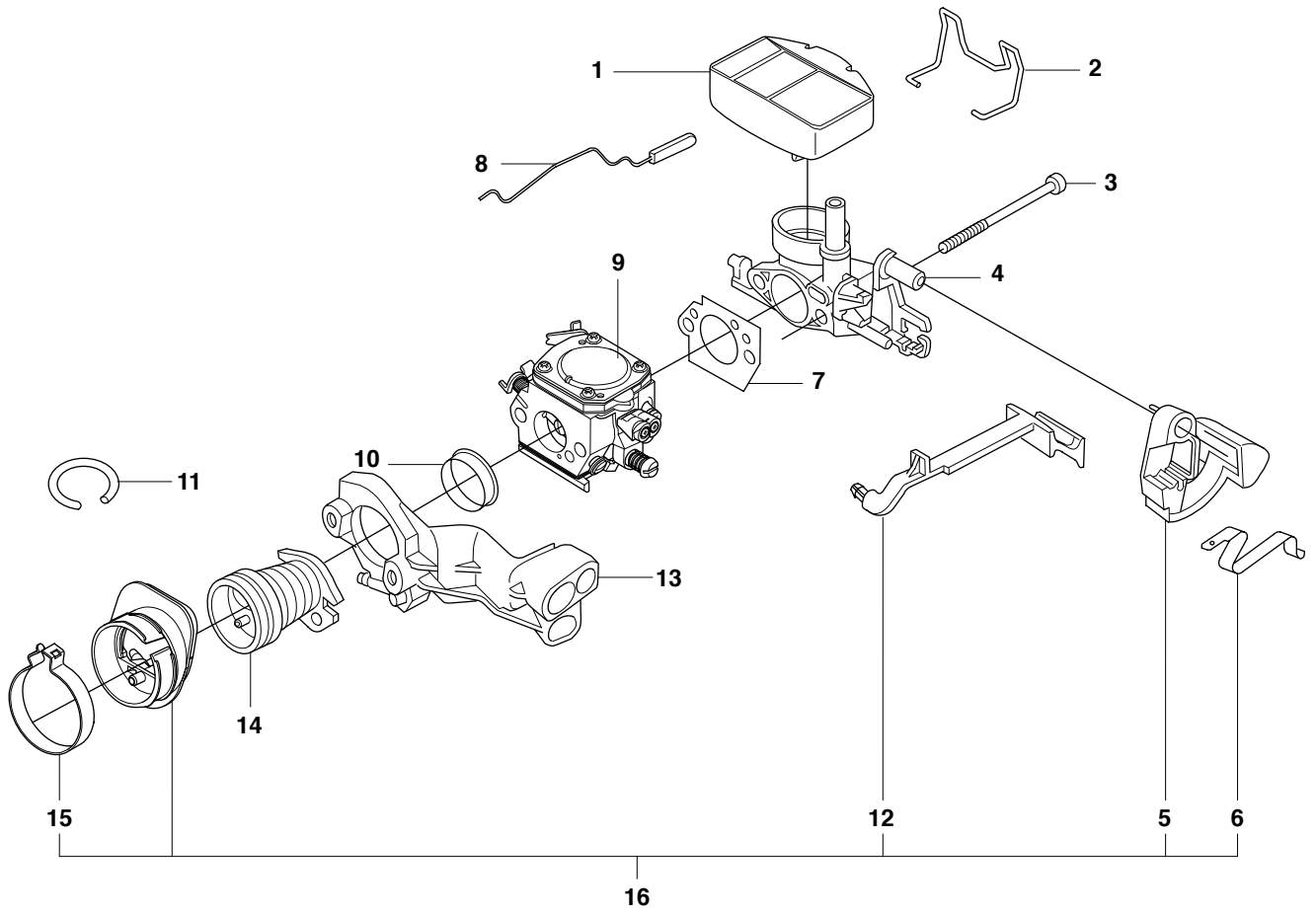
**F** 357  
MUFFLER



## MUFFLER

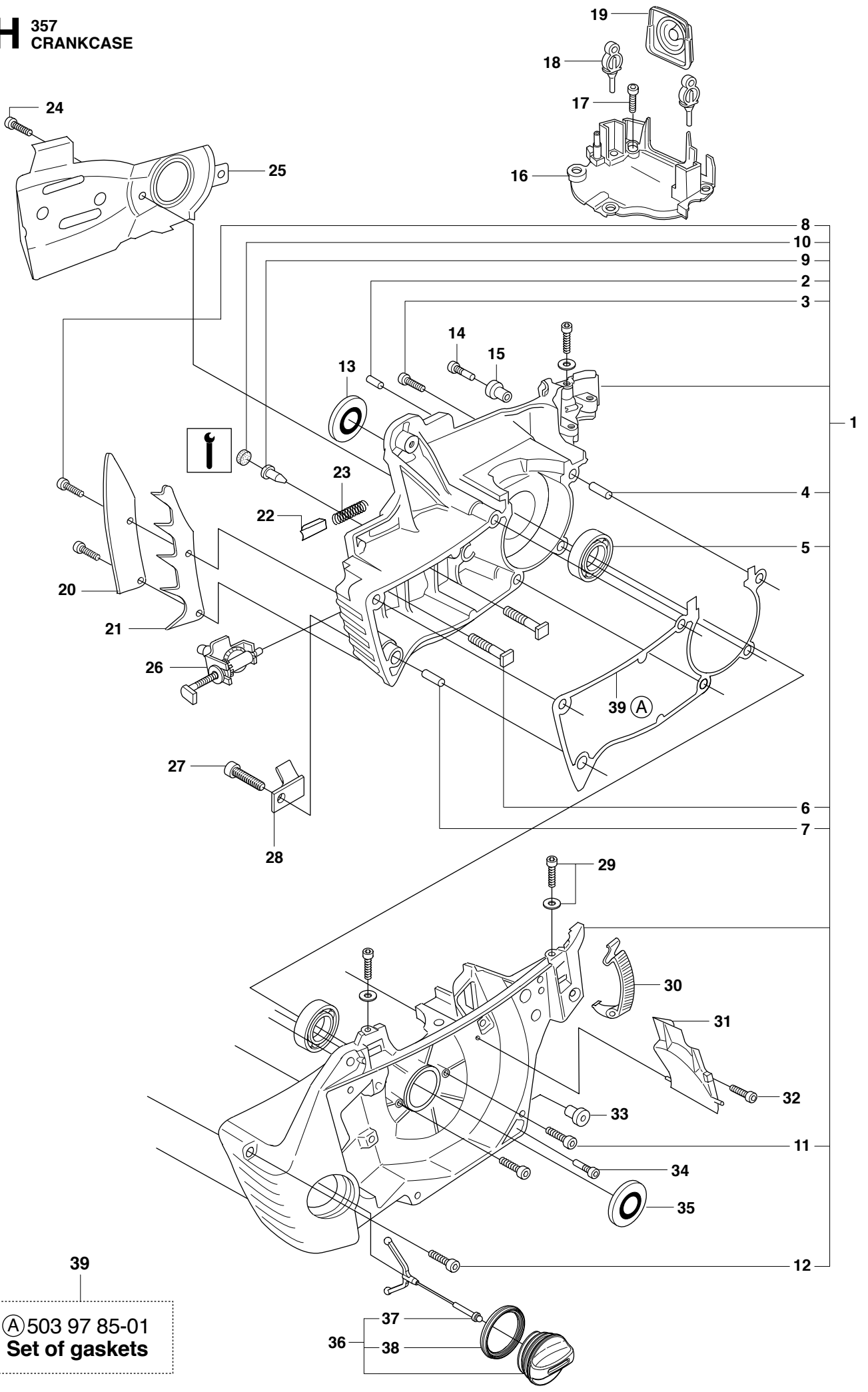
Position	Article	Quantity	Notes	Kit
1	504 70 69-01	1	EU	
2	725 53 68-55	2		
3	503 91 74-02	1		
4	503 20 07-10	2		
5	503 20 07-76	1		
6	504 70 64-01	1	FF	
6	504 70 68-01	1	E-tech	
7	724 12 87-59	1		6
8	504 78 58-01	1		6
9	725 53 68-55	2		
10	503 91 74-02	1		
11	503 20 07-10	2		
12	503 20 07-76	1		

**G** 357  
CARBURETTOR & AIR FILTER



Position	Article	Quantity	Notes	Kit
1	537 01 09-01	1	80 $\mu$	
1	537 01 09-02	1	44 $\mu$	
1	537 01 09-03	1	FELT	
2	503 96 27-01	1		
3	725 53 41-55	2		
4	544 01 10-02	1		
5	503 86 95-02	1		16
6	503 86 97-02	1		16
7	503 96 76-01	1		
8	503 93 87-02	1		
9	505 20 30-01	1		
10	504 06 44-01	1		
11	544 32 51-01	1		
12	503 92 25-01	1		16
13	503 92 85-02	1		
14	503 92 87-02	1		
15	537 43 88-01	1		16
16	537 25 13-02	1		

# H 357 CRANKCASE



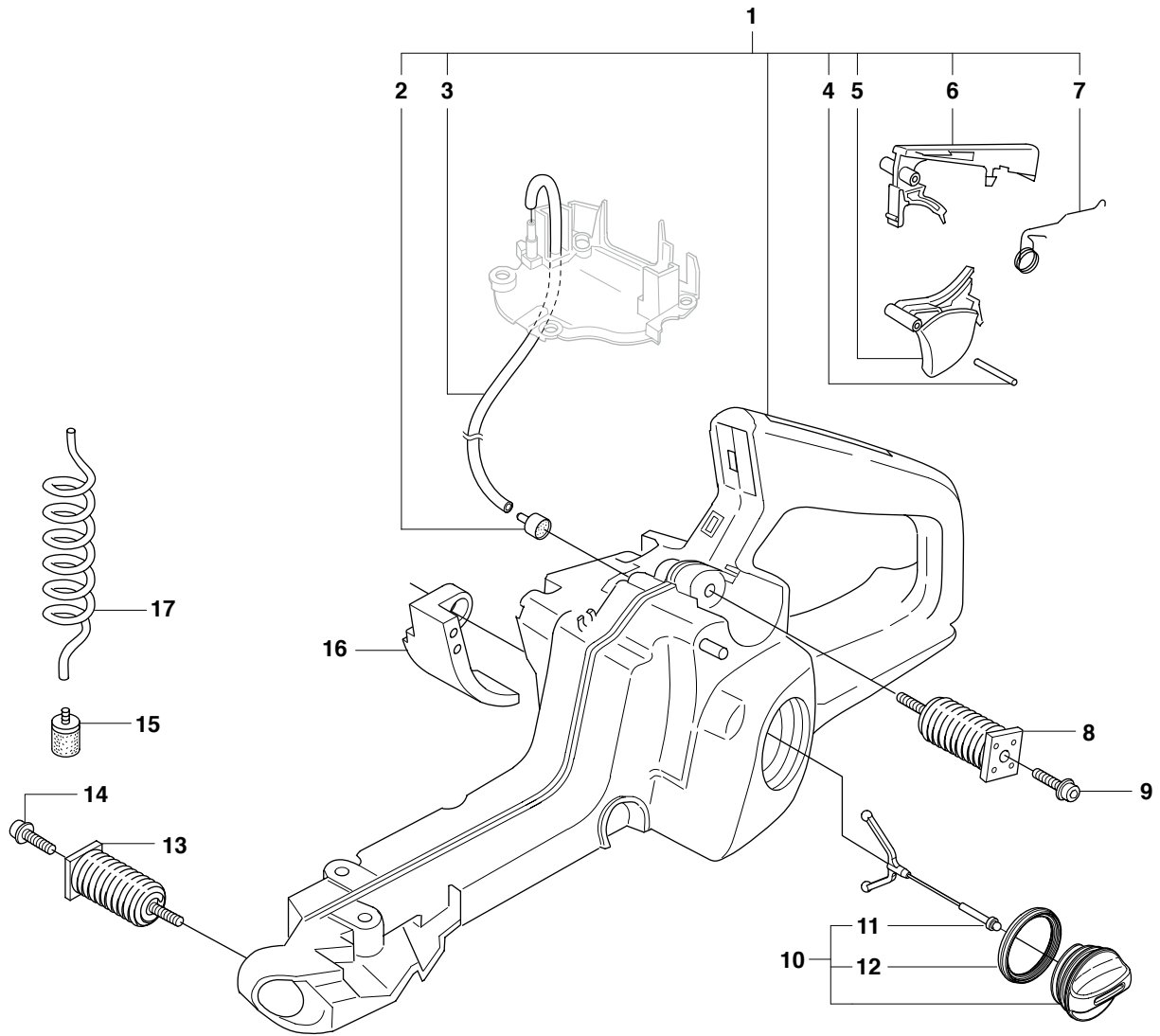
39  
Ⓐ 503 97 85-01  
Set of gaskets



## CRANKCASE

Position	Article	Quantity	Notes	Kit
1	503 92 53-05	1		
2	721 12 07-30	1		1
3	503 20 08-32	6		1
4	503 90 56-01	1		1
5	738 22 02-25	2		1
6	503 87 54-01	2		1
7	503 90 56-01	1		1
8	503 20 07-76	2		1
9	530 02 61-19	1		1
10	537 40 35-01	1		1
11	503 20 25-16	2		1
12	503 20 02-20	1		1
13	505 27 57-19	1		
14	503 21 51-01	1		
15	503 86 92-01	1		
16	503 92 79-03	1		
17	503 21 75-12	4		
18	503 86 93-01	2		
19	537 14 65-01	1		
20	537 02 18-01	1		
21	503 97 38-01	1		
22	503 89 24-01	1		
23	503 43 65-01	1		
24	503 21 74-12	2		
25	503 93 54-01	1		
26	537 07 12-01	1		
27	503 21 88-76	1		
28	537 37 79-01	1		
29	503 21 39-01	3		
30	503 89 47-01	3		
31	503 92 90-01	1		
32	503 21 74-12	1		
33	503 86 92-01	1		
34	503 21 51-01	1		
35	505 27 57-19	1		
36	537 21 52-02	1		
37	503 57 89-01	1		36
38	537 21 50-01	1		36
39	503 97 85-01	1	A = Set of gaskets	

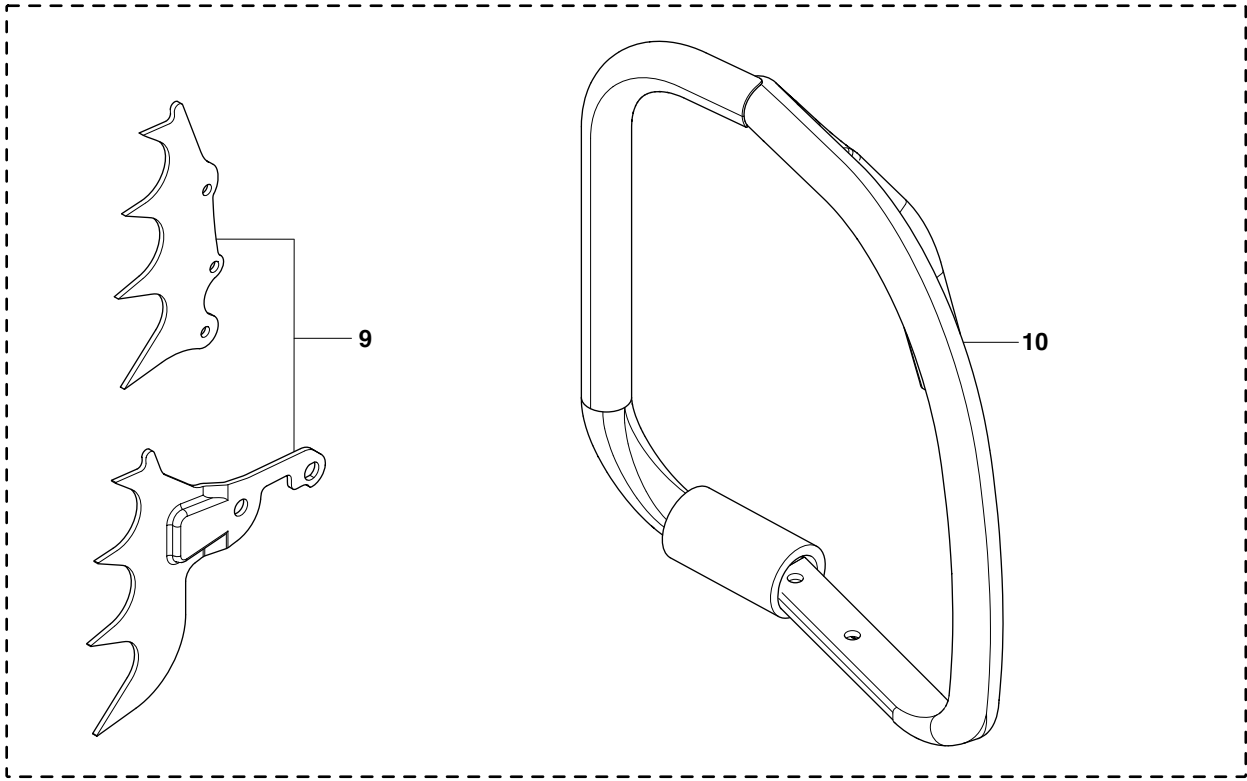
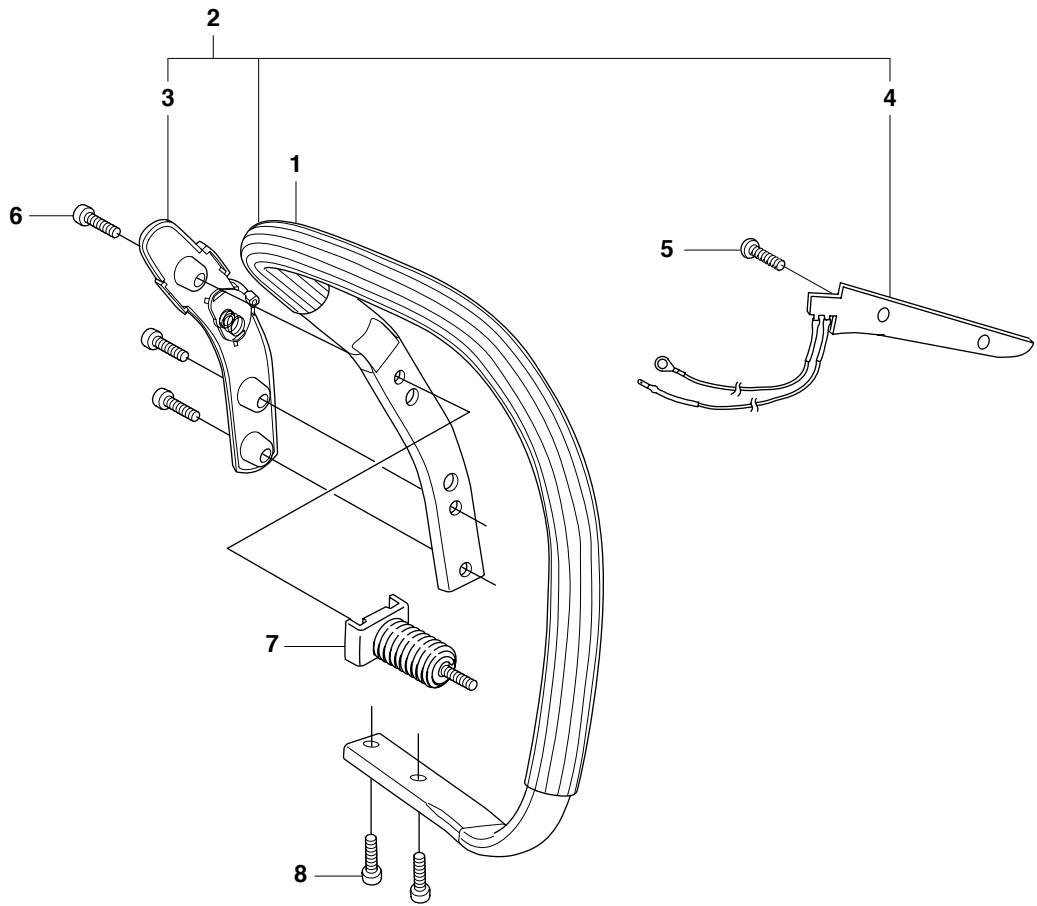
**J** 357  
FUEL TANK



FUEL TANK

Position	Article	Quantity	Notes	Kit
1	503 92 30-01	1		
2	537 35 95-01	1		1
3	544 32 49-20	1		1
4	720 18 25-20	1		1
5	503 85 45-01	1		1
6	503 85 44-01	1		1
7	503 99 86-01	1		1
8	503 85 41-01	1		
9	503 21 88-76	1		
10	537 21 52-02	1		
10	537 21 52-03	1	E-tech	
11	503 57 89-01	1		10
12	537 21 50-01	1		10
13	503 92 31-01	1		
14	503 21 88-76	1		
15	503 44 32-01	1		
16	503 96 43-01	1		
17	544 32 50-02	1		

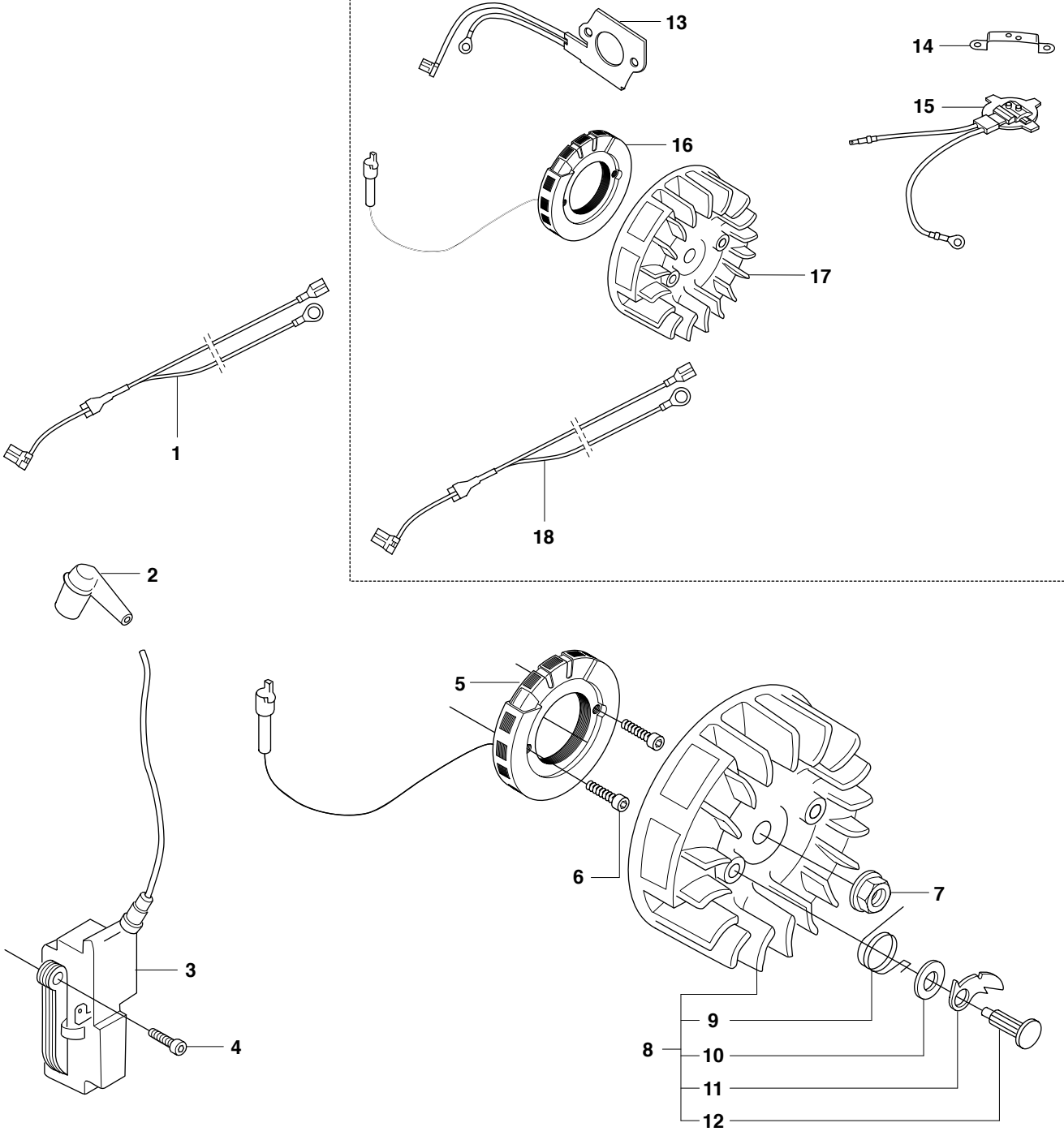
**K** 357  
HANDLE



Position	Article	Quantity	Notes	Kit
1	537 25 65-01	1		
1	537 25 65-02	1	G	2
2	537 32 74-01	1	G	
3	537 32 73-01	1	G	2
4	503 92 61-02	1	G	2
5	503 21 38-01	2	G	
6	503 21 88-76	3		
7	503 92 33-01	1		
8	503 21 88-72	2		
9	544 28 38-01	3		
10	544 34 92-01	1		
10	544 34 92-02	1	G	

**L** 357  
**IGNITION SYSTEM**

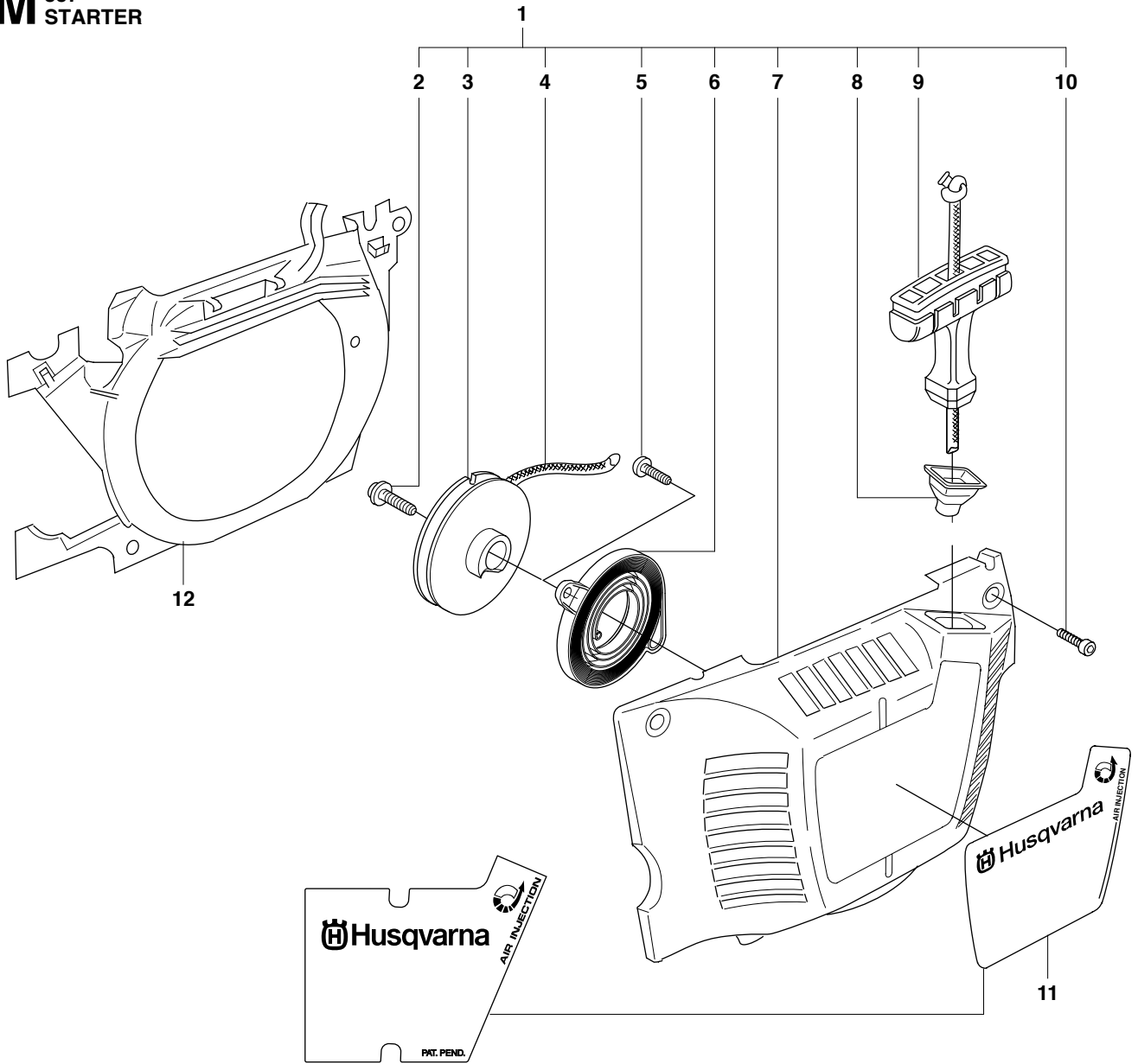
**Heated carburettor**



## IGNITION SYSTEM

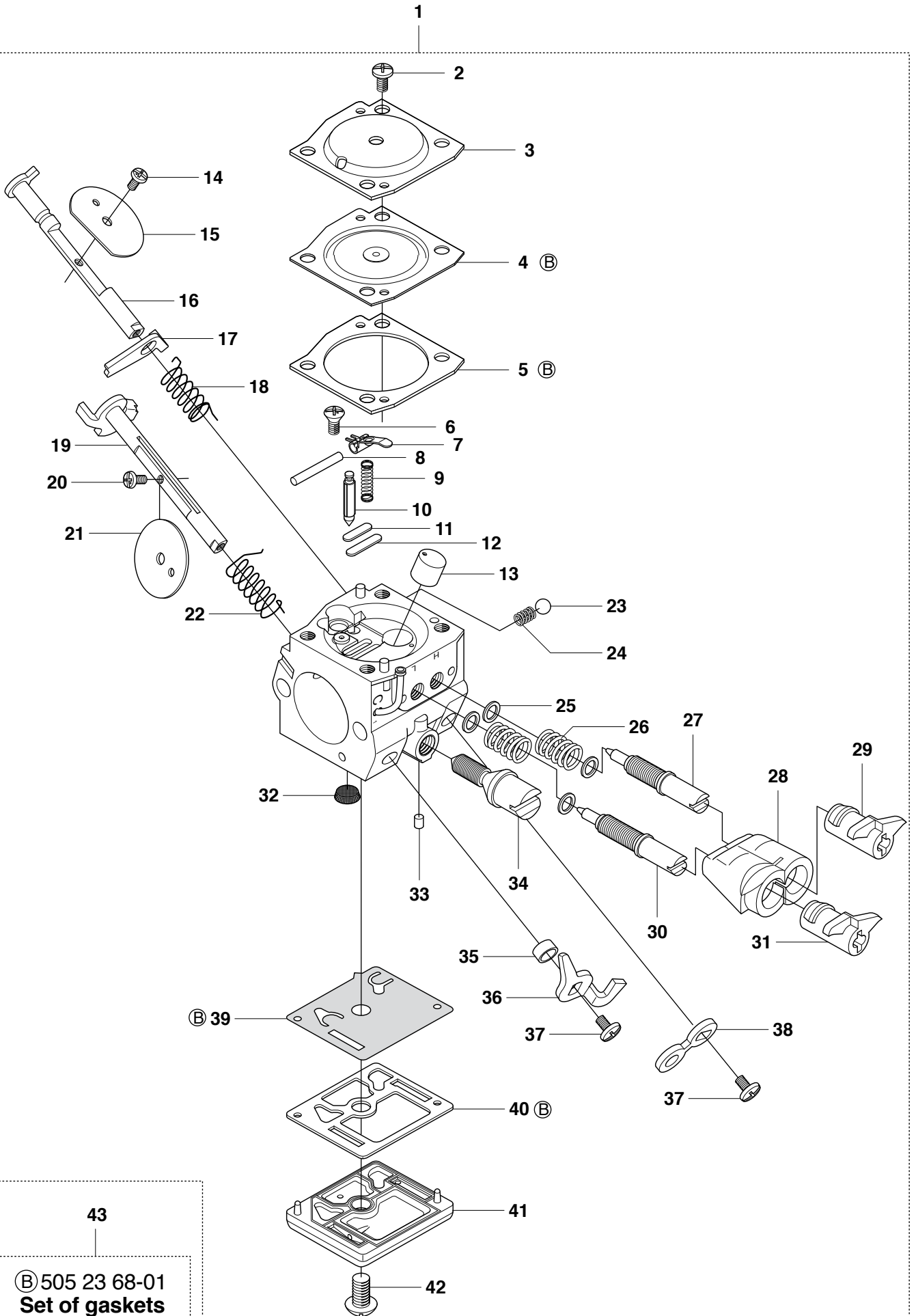
Position	Article	Quantity	Notes	Kit
1	503 89 87-01	1		
2	501 48 54-02	1		
3	544 04 70-01	1		
4	503 21 55-25	2		
5	537 33 02-01	1	G	
6	503 20 25-16	2		
7	503 22 04-01	1		
8	503 92 18-01	1		
8	503 92 18-02	1	G	
9	503 81 81-01	2		8, 17
10	503 23 00-42	2		8, 17
11	537 10 36-01	2		8, 17
12	501 81 99-03	2		8, 17
13	504 04 32-01	1	G	
14	537 06 04-02	1	G	
15	501 98 63-01	1	G	
16	502 60 96-01	1	G, Heated carburettor	
17	503 92 18-03	1	G, Heated carburettor	
18	503 89 87-05	1		

**M** 357  
STARTER





Position	Article	Quantity	Notes	Kit
1	503 93 06-03	1		
2	503 21 52-16	1		1
3	537 06 59-01	1		1
4	505 30 51-25	1		1
5	503 21 29-10	2		1
6	537 09 31-01	1		1
7	503 93 07-02	1		1
8	501 63 06-01	1		1
9	503 54 39-01	1		1
10	544 08 03-01	4		1
11	537 32 48-01	1	357XP	
11	537 32 48-02	1	357XPG	
11	537 32 48-03	1	357XPG carb heat	
11	537 32 48-04	1	357XPG E-tech	
11	537 32 48-06	1	357XPG carb heat E-tech	
12	503 92 89-01	1		

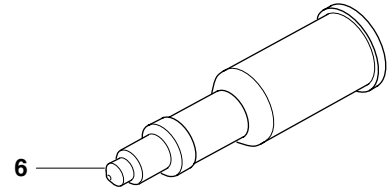
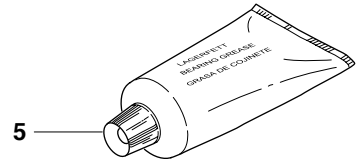
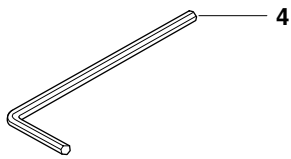
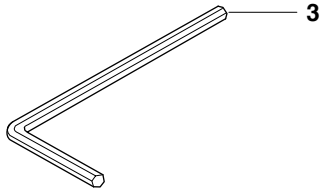
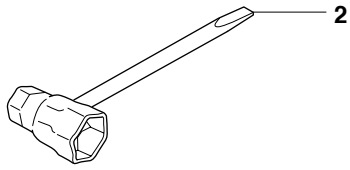


(B) 505 23 68-01  
Set of gaskets

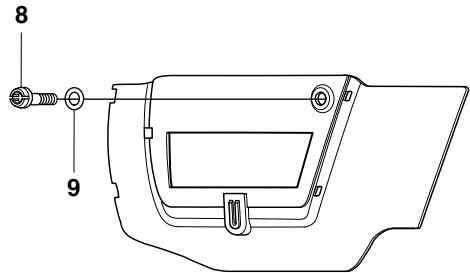
Position	Article	Quantity	Notes	Kit
1	505 20 30-01	1		
2	503 48 05-01	4		1
3	537 17 60-01	1		1
4	537 17 59-01	1		1, 43
5	505 22 39-01	1		1, 43
6	544 08 21-01	1		1
7	537 17 64-01	1		1
8	503 48 00-01	1		1
9	537 17 63-01	1		1
10	537 17 62-01	1		1
11	537 17 78-01	1		1
12	503 53 56-01	1		1
13	505 23 67-01	1		1
14	503 52 36-01	1		1
15	537 17 72-01	1		1
16	537 17 71-01	1		1
17	544 05 67-01	1		1
18	537 17 66-01	1		1
19	537 17 57-01	1		1
20	503 48 18-01	1		1
21	537 17 70-01	1		1
22	537 17 61-01	1		1
23	537 01 25-01	1		1
24	537 01 26-01	2		1
25	503 90 31-01	4		1
26	503 48 08-01	2		1
27	537 17 85-01	1		1
28	503 90 34-01	1		1
29	503 90 33-01	1		1
30	537 17 86-01	1		1
31	503 90 32-01	1		1
32	503 53 57-01	1		1
33	503 48 11-01	1		1
34	504 02 73-01	1		1
35	503 48 19-01	1		1
36	537 17 69-01	1		1
37	503 47 90-01	2		1
38	537 17 75-01	1		1
39	537 38 02-01	1		1, 43
40	503 61 66-01	1		1, 43
41	537 17 68-01	1		1
42	503 47 96-01	1		1
43	505 23 68-01	1	B = Set of gaskets	

**P** 357  
ACCESSORIES

1



7



## ACCESSORIES

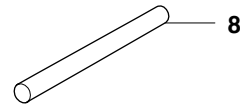
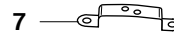
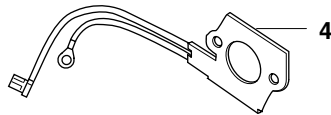
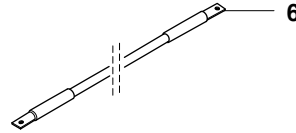
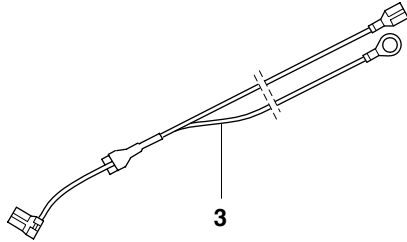
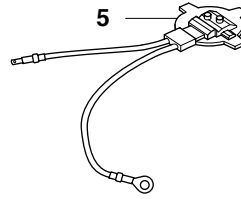
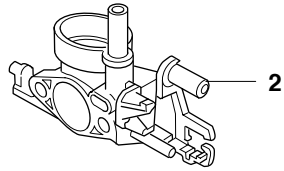
Position	Article	Quantity	Notes	Kit
1	503 55 85-01	1		
2	501 69 17-01	1		1
3	503 55 86-02	1		1
4	503 55 86-01	1		1
5	503 62 12-01	1		1
6	501 91 14-01	1		1
7	503 97 88-01	1	WINTER KIT	
8	503 21 70-16	1		7
9	740 42 01-00	1		7

Q



Up to 073900001 (357)

1



Position	Article	Quantity	Notes	Kit
1	502 62 87-01	1		
2	544 01 10-02	1		1
3	503 89 87-05	1		1
4	504 04 32-01	1		1
5	501 98 63-01	1		1
6	504 11 68-01	1		1
7	537 06 04-02	1		1
8	504 04 35-01	1		1