



SERVICE PARTS LIST

BULLETIN NO.
54-46-2410

SPECIFY CATALOG NO. AND SERIAL NO. WHEN ORDERING PARTS		REVISED BULLETIN	DATE
BENCH BASE DRILL STAND			Mar. '91
CATALOG NO. 3550	SERIAL NUMBER 646-1001	WIRING INSTRUCTION 58-01-0970	

00 0

EXAMPLE:
Component Parts (Small #) Are Included
When Ordering The Assembly (Large #).

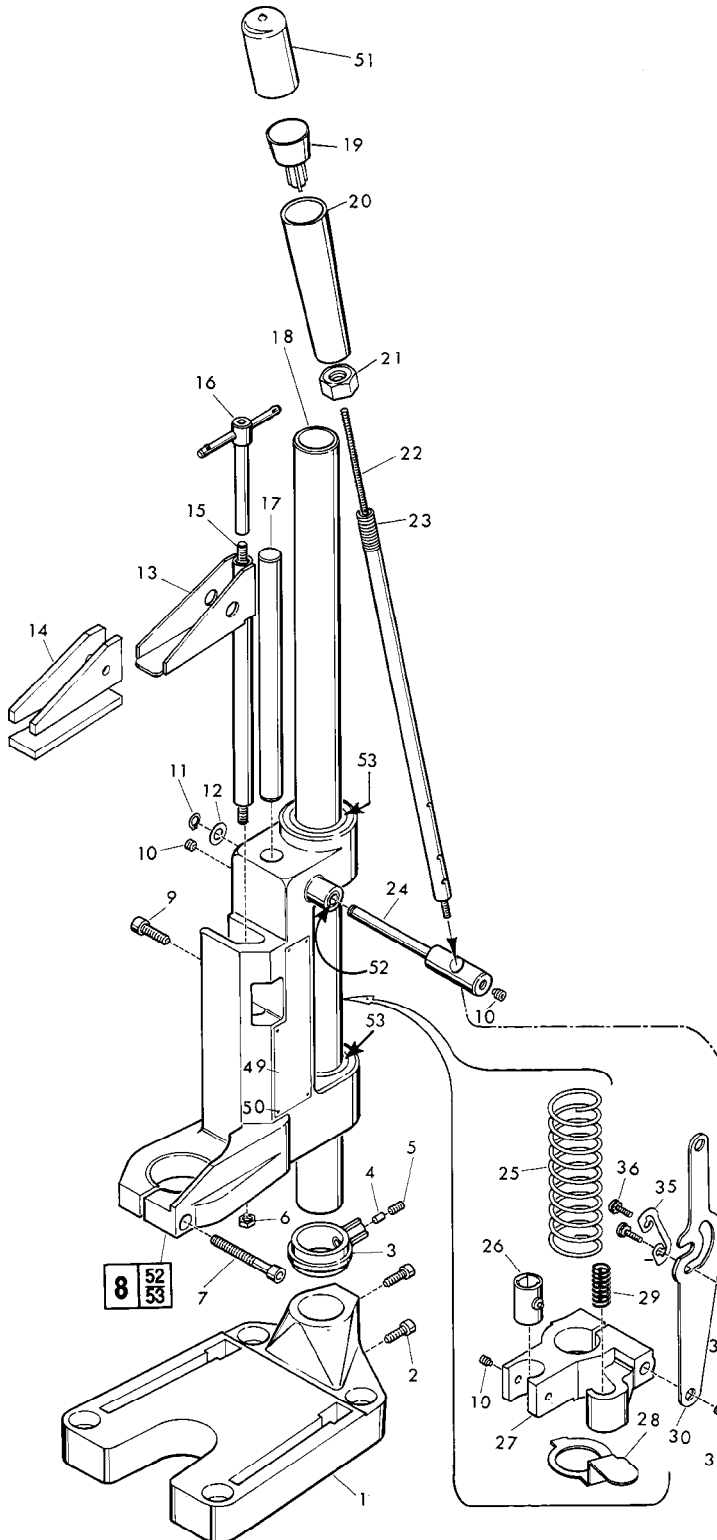


FIG.	PART NO.	DESCRIPTION OF PART	NO. REQ.
1	28-06-0990	Base	(1)
2	06-75-3005	1/4-20 x 5/8" Skt. Hd. Screw	(2)
3	31-17-0210	Depth Stop Clamp	(1)
4	45-30-0160	Brass Slug	(1)
5	06-83-2670	1/4-20 x 1/2" Knrl. Set Screw	(1)
6	06-55-1525	1/4-20 Hex Nut	(1)
7	06-75-4215	5/16-18 x 2-1/4" Skt. Hd. Screw	(1)
8	30-84-0205	Slide Assembly	(1)
9	06-75-3975	5/16 -18 x 1" Skt. Hd. Screw	(1)
10	06-83-2625	1/4-20 x 1/4" Set Screw	(5)
11	34-60-0700	Retaining Ring	(1)
12	45-88-0250	Washer	(1)
13	42-68-0525	Drill Clamp Assembly	(1)
14	44-52-0240	Pad Set	(1)
15	45-58-0290	Clamp Stud	(1)
16	44-40-0595	Clamp Nut Assembly	(1)
17	43-56-0370	Guide	(1)
18	42-78-0100	Column	(1)
19	42-42-0260	Rod Switch Button	(1)
20	43-98-0260	Handle Knob	(1)
21	06-55-3100	1/2-20 Hex Nut	(1)
22	44-94-0310	Push Rod	(1)
23	45-10-0085	Handle Shank	(1)
24	45-08-0190	Shaft	(1)
25	40-50-2210	Return Spring	(1)
26	42-40-0800	Bushing	(1)
27	42-68-0515	Slide Clamp Assembly	(1)
28	44-20-0120	Slide Lock	(1)
29	40-50-1015	Slide Lock Spring	(1)
30	44-14-0140	Link	(1)
31	45-04-0675	Clamp Screw Assembly	(1)
32	23-66-1385	Switch	(1)
33	31-12-0170	Rod End Cap	(1)
34	44-64-0070	Pivot	(2)
35	44-86-0401	Retainer	(1)
36	06-81-5692	10-24 x 1/2" Pan Hd. Sem.	(2)
37	06-95-0137	7 x 1-1/8" Pan Hd. Pozidriv Screw	(7)
38	31-50-5005	Housing - Left Half	(1)
39	31-50-5000	Housing - Right Half	(1)
40	44-66-5520	Mounting Plate	(1)
41	06-97-4050	1/4 Split Ring Lockwasher	(3)
42	06-75-2950	1/4-20 x 1/2" Skt. Hd. Cap Screw	(3)
43	31-17-0156	Cord Clamp	(1)
44	06-95-0216	8-16 x 5/8" Hex Hd. Taptite Screw	(2)
45	06-95-5150	6-32 X 1/4" Hex Hd. Taptite Sem	(1)
46	23-33-0420	Receptacle	(1)
47	44-76-0210	Cord Protector	(1)
48	22-64-0155	Cord Set	(1)
49	12-99-0400	Nameplate Blank	(1)
50	06-85-0200	Nameplate Screw	(5)
51	42-92-0550	Handle Cover	(1)
52	42-40-0700	Bushing	(2)
53	42-40-0750	Bushing	(2)

SEE BACK PAGE FOR PARTS NOT SHOWN

PARTS NOT SHOWN

PART NO.	DESCRIPTION OF PART	NO. REQ.
23-78-0150	Elastic Tie	(2)
42-04-0630	Clamp Adapter-For Compact Drills	(1)
06-81-4213	Clamp Adapter Screw	(2)
42-04-0640	Adapter Ring For Magnums & D-Handle Drills	(1)
42-04-0650	Adapter Ring For Compact Drills	(1)
49-96-0060	1/8" Hex Socket Wrench	(1)
49-96-0080	3/16" Hex Socket Wrench	(1)
49-96-0100	1/4" Hex Socket Wrench	(1)