



# Operating Instructions and Parts Manual Step-Pulley Industrial Drill Presses

Models IDP-17 and IDP-22



IDP-22

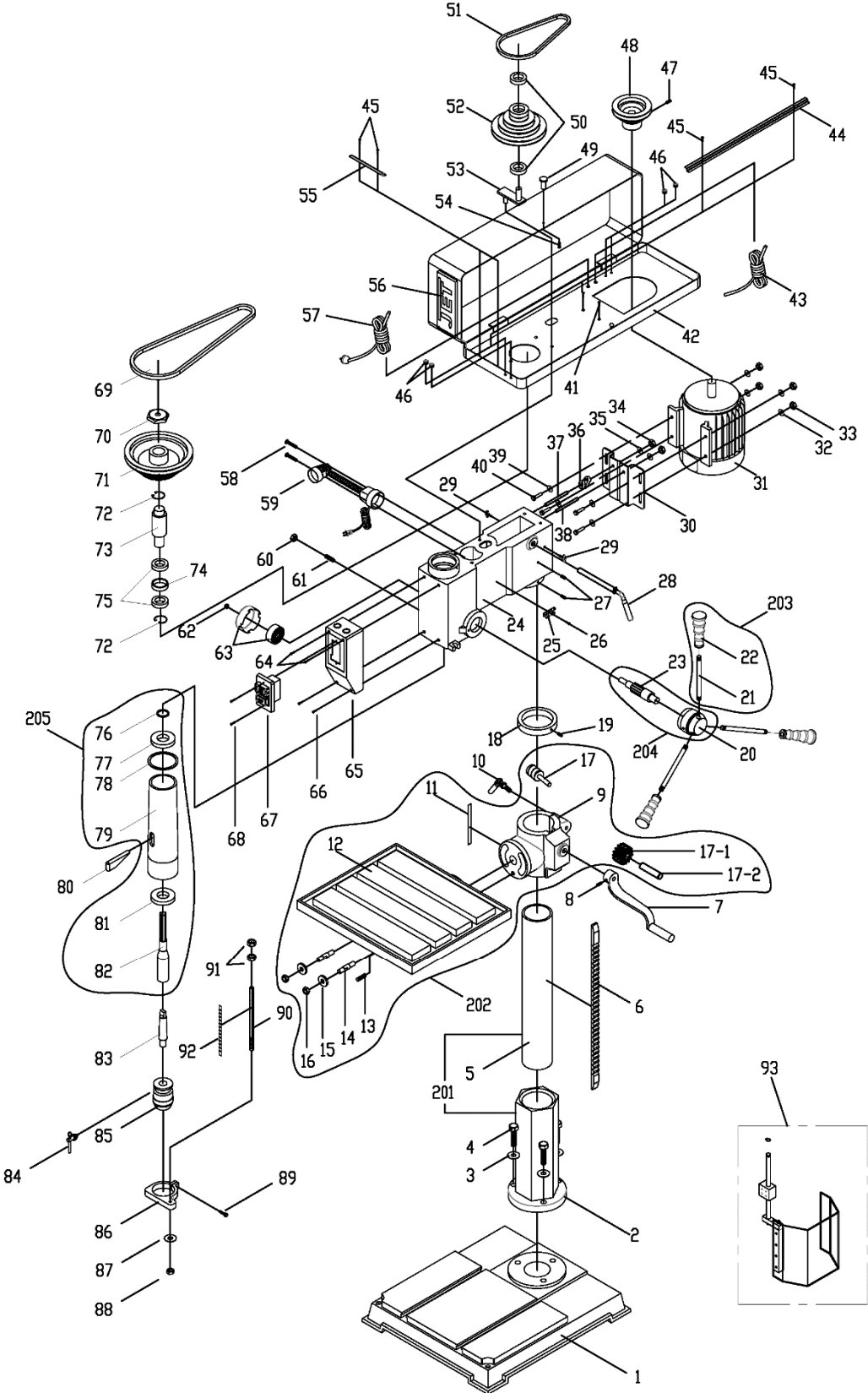


IDP-17

**JET**  
427 New Sanford Road  
LaVergne, Tennessee 37086  
Ph.: 800-274-6848  
www.jettools.com

**Part No. M-354300**  
Edition 3 09/2017  
Copyright © 2017 JET

### 14.2.1 IDP-22 Drill Press – Exploded View



## 14.2.2 IDP-22 Drill Press – Parts List

Index No	Part No	Description	Size	Qty
1	IDP22-01	Base	575 x 500 x 85	1
201	IDP22-201	Column Assembly (#2,5)		1
2	IDP22-02	Column Holder		1
3	TS-0720111	Spring Washer	1/2"	3
4	TS-0070051	Hex Cap Screw	1/2" x 2 mm	3
5	IDP22-05	Column	Ø92	1
6	IDP22-06	Rack		1
7	IDP22-07	Table Crank		1
8	TS-0267022	Set Screw	1/4" x 1/4"	1
202	IDP22-202	Table Assembly (#9, 11-16)		1
9	IDP22-09	Table Bracket		1
10	IDP22-10	Clamp Bolt	1/2" x 70 mm	1
11	IDP22-11	Tilt Angle Scale		1
12	IDP22-12	Work Table	475 x 413 x 41	1
13	TS-0271031	Set Screw	3/8" x 3/8"	1
14	IDP22-14	Screw	9/16" x 1/2" x 62	2
15	TS-0680061	Flat Washer	1/2" x 34 x 5 mm	2
16	TS-0561051	Hex Nut	1/2"	2
17	IDP22-17	Worm Gear Assembly		1
17-1	IDP22-17-1	Pinion Gear	SC15	1
17-2	IDP22-17-2	Shaft		1
18	IDP22-18	Rack Collar	Ø92	1
19	TS-0267021	Set Screw	1/4" x 1/4"	1
20	IDP22-20	Feed Hub		1
203	IDP17-203	Feed Handle Assembly (#21,22)		3
21	IDP22-21	Handle		3
22	IDP22-22	Knob		3
204	IDP22-204	Feed Pinion Assembly (#20,23)		1
23	IDP22-23	Feed Pinion		1
24	IDP22-24	Head Casting		1
25	IDP22-25	Chuck Key Fixture		1
26	5711571	Phillips Pan Head Screw	3/16" x 1/4"	1
27	TS-0271031	Set Screw	3/8" x 3/8"	2
28	IDP22-27	Tension Adjust Handle		1
29	IDP22-29	Thumb Screw	3/8" x 32	2
30	IDP22-30	Mounting Plate		1
31	IDP22-31	Motor	1-1/2HP 115/230V	1
	IDP22-31MF	Motor Fan		1
	IDP22-31MFC	Motor Fan Cover (not shown)		1
	IDP22-31SC	Start Capacitor	400MFD 125VAC	1
	IDP22-31RC	Run Capacitor	40µF 250VAC	1
	IDP17-30-JB	Junction Box		1
	IDP17-30-JBC	Junction Box Cover		1
32	TS-0680031	Flat Washer	5/16" x 18 x 1.5 mm	4
33	TS-0561021	Hex Nut	5/16"	4
34	TS-0561051	Hex Nut	1/2"	2
35	TS-0680061	Flat Washer	1/2"	2
36	IDP22-36	Shaft Lever		1
37	IDP22-37	Adjusting Bolt B		1
38	IDP22-38	Adjusting Bolt A		1
39	TS-0680031	Flat Washer	5/16" x 18 x 1.5 mm	4
40	TS-0051011	Hex Cap Screw	5/16"	4
41	TS-0207011	Phillips Pan Washer Head Screw	1/4" x 3/8"	4
42	IDP22-42	Pulley Cover		1
43	IDP22-43	Motor Cord	3x14AWG, 300V	1
44	IDP22-44	Hold Down Strip		1
45	5711571	Phillips Pan Head Screw	3/16" x 1/4"	3
46	IDP22-46	Strain Relief		1
47	TS-1523011	Set Screw	M6 x 8	1
48	IDP22-48	Motor Pulley		1

Index No	Part No	Description	Size	Qty
49	IDP22-49	Knob		1
50	BB-6202	Ball Bearing	6202	2
51	VB-A27	V-Belt	A27	1
52	IDP22-52	Center Pulley		1
53	IDP22-53	Pivot Bracket		1
54	TS-081F031	Socket Head Flat Screw	1/4" x 1/2"	1
55	IDP22-55	Hold Down Strip		1
56	JET-138	JET Logo with adhesive	138 x 57 mm	1
57	IDP22-57	Power Cord	3x14AWG, 300V	1
58	IDP22-58	Screw		1
59	IDP22-59	Work Lamp		1
60	TS-0561021	Hex Nut	5/16"	1
61	TS-0270091	Set Screw	5/16" x 1"	1
62	TS-0561051	Hex Nylon Lock Nut	1/2"	1
63	IDP22-63	Coil Spring with Cover		1
64	IDP22-64	Phillips Screw	3/16" x 70 mm	2
65	IDP22-65	Switch Box		1
66	IDP22-66	Phillips Pan Head Screw	3/16" x 1-1/2"	2
67	IDP17-66	On-Off Switch		1
68	IDP22-68	Flat Head Screw	1" x 4 mm	2
69	VB-A38	V-Belt	A38	1
70	IDP22-70	Nut		1
71	IDP22-71	Spindle Pulley		1
72	F006058	External Retaining Ring	Ø65 mm	2
73	IDP22-73	Drive Taper		1
74	IDP22-74	Ball Spacer		1
75	BB-6007	Ball Bearing	6007	2
76	IDP22-76	Retaining Ring		1
77	BB-6005	Ball Bearing	6005	1
78	IDP22-78	Rubber Washer		1
205	IDP22-205	Quill Assembly (#76-79, 81,82)		1
79	IDP22-79	Quill		1
80	IDP22-80	Drift Key		1
81	BB-6206	Ball Bearing	6206	1
82	IDP22-82	Spindle	MT3	1
83	561763	Morse Taper Arbor	MT3 x JT3	1
84	561708-CK	Chuck Key		1
85	561708	Chuck and Key	JT3, 5/8"	1
86	IDP22-86	Depth Stop Base		1
87	TS-0680041	Flat Washer	3/8"	1
88	TS-0561031	Hex Nut	3/8"	1
89	TS-0050031	Hex Cap Screw	1/4" x 3/4"	1
90	IDP22-90	Depth Stop Rod		1
91	TS-0561071	Hex Nut	5/8"	2
92	IDP22-92	Scale (mm)		1
93	IDP17-92	Spindle Guard Assembly		1
94	LM000146	Warning Label (not shown)		1
95	LM000148	ID Label, IDP-22 (not shown)		1
96	LM000150	Spindle Speed Chart (not shown)		1
97	LM000152	Motor Label (not shown)		1