



# Operating Instructions and Parts Manual Step-Pulley Industrial Drill Presses

Models IDP-17 and IDP-22



IDP-22

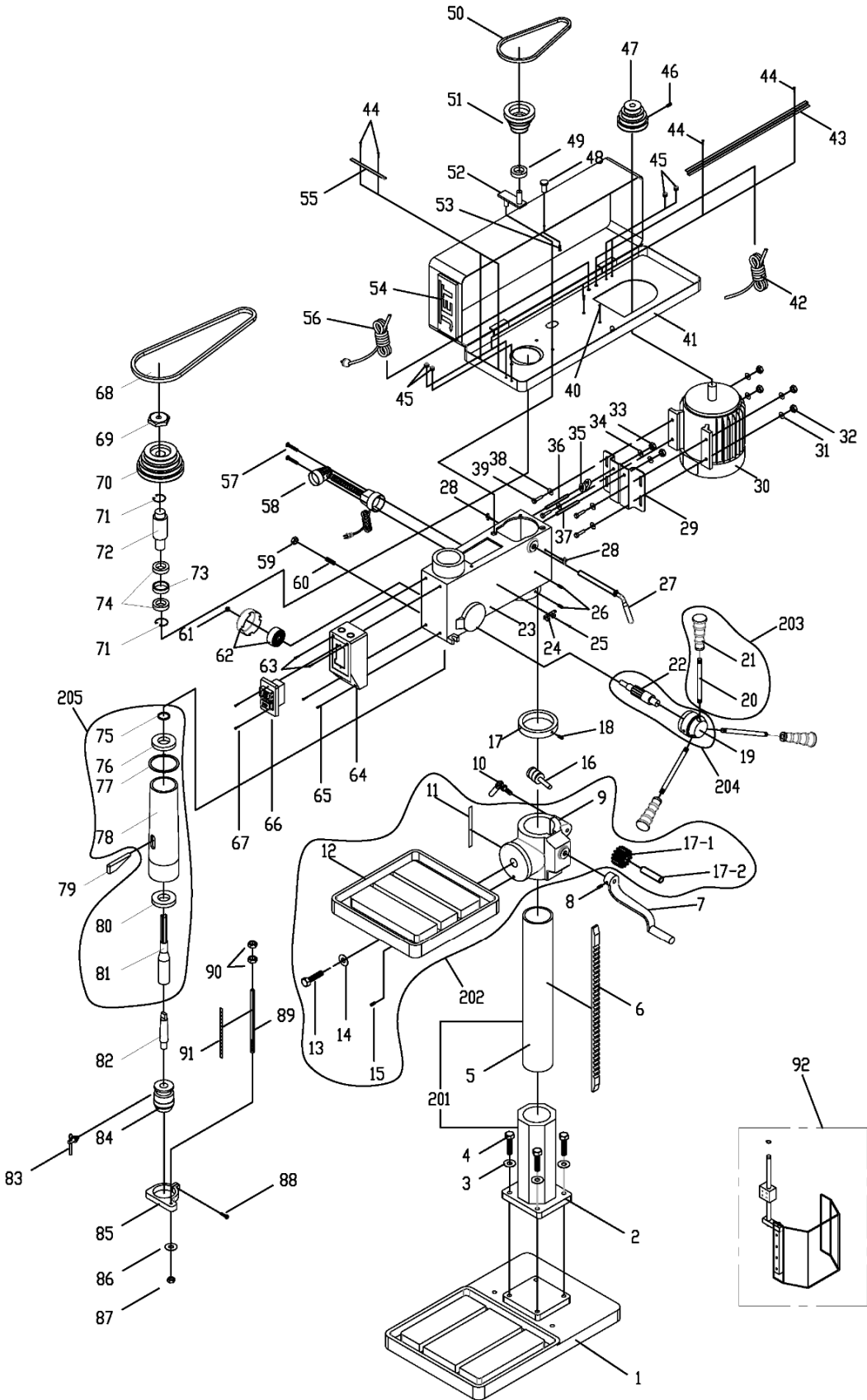


IDP-17

**JET**  
427 New Sanford Road  
LaVergne, Tennessee 37086  
Ph.: 800-274-6848  
www.jettools.com

**Part No. M-354300**  
Edition 3 09/2017  
Copyright © 2017 JET

14.1.1 IDP-17 Drill Press – Exploded View



## 14.1.2 IDP-17 Drill Press – Parts List

Index No	Part No	Description	Size	Qty
1	IDP17-01	Base	550 x 350 x 53 mm	1
201	IDP17-201	Column Assembly (#2, 5)		1
2	IDP17-02	Column Holder		1
3	TS-0732061	Spring Washer	3/8"	4
4	TS-0209072	Hex Cap Screw	3/8" x 1-1/2"	4
5	IDP17-05	Column	Ø80 mm	1
6	IDP17-06	Rack		1
7	IDP17-07	Table Crank		1
8	TS-0267021	Set Screw	1/4" x 1/4"	1
202	IDP17-202	Table Assembly (#9, 11 thru 16, 17-1, 17-2)		1
9	IDP17-09	Table Bracket		1
10	IDP17-10	Clamp Bolt	1/2" x 45	1
11	IDP17-11	Tilt Angle Scale		1
12	IDP17-12	Work Table	358 x 358 x 44	1
13	IDP17-13	Screw	5/8 x 1-3/4	1
14	TS-0680081	Flat Washer	5/8" x 30 x 3	1
15	TS-0271031	Set Screw	3/8" x 3/8"	1
16	IDP17-16	Worm Gear Assembly		1
17	IDP17-17	Rack Collar	ID Ø80 mm	1
17-1	IDP17-17-1	Pinion Gear	SC15	1
17-2	IDP17-17-2	Shaft		1
18	TS-0267021	Set Screw	1/4" x 1/4"	1
19	IDP17-19	Feed Hub		1
203	IDP17-203	Feed Handle Assembly (#20,21)		3
20	IDP17-20	Handle		3
21	IDP17-21	Knob		3
204	IDP17-204	Feed Pinion Assembly (#19,22)		1
22	IDP17-22	Feed Pinion		1
23	IDP17-23	Head Casting		1
24	IDP17-24	Chuck Key Fixture		1
25	5711571	Phillips Pan Head Screw	3/16" x 1/4"	1
26	TS-0271031	Set Screw	3/8" x 3/8"	2
27	IDP17-27	Tension Adjust Handle		1
28	IDP17-28	Thumb Screw	3/8"	2
29	IDP17-29	Motor Mount Plate		1
30	IDP17-30	Motor	1HP 1PH 115/230V	1
	IDP17-30-SC	Start Capacitor	300MFD 125VAC	1
	IDP17-30-RC	Run Capacitor	30µF 250VAC	1
	IDP17-30-MF	Motor Fan		1
	IDP17-30-MFC	Motor Fan Cover		1
	IDP17-30-JB	Junction Box		1
	IDP17-30-JBC	Junction Box Cover		1
31	TS-0680031	Flat Washer	5/16"	4
32	TS-0561021	Hex Nut	5/16"	4
33	TS-0561051	Hex Nut	1/2"	2
34	TS-0680061	Flat Washer	1/2"	2
35	IDP17-35	Shaft Lever		1
36	IDP17-36	Adjusting Bolt B		1
37	IDP17-37	Adjusting Bolt A		1
38	TS-0680031	Flat Washer	5/16"	4
39	TS-0051011	Hex Cap Screw	5/16"	4
40	IDP17-40	Phillips Pan Washer Head Screw	1/4" x 3/8"	4
41	IDP17-41	Pulley Cover		1
42	IDP17-42	Motor Cord		1
43	IDP17-43	Hold Down Strip		2
44	5711571	Phillips Pan Head Screw	3/16" x 1/4"	3
45	IDP17-45	Strain Relief		4
46	TS-1523011	Set Screw	M6 x 8 mm	1
47	IDP17-47	Motor Pulley		1
48	IDP17-48	Knob		1

Index No	Part No	Description	Size	Qty
49	BB-6202	Ball Bearing	6202	1
50	VB-A26	V-Belt	A26	1
51	IDP17-51	Center Pulley		1
52	IDP17-52	Pivot Bracket		1
53	TS-081F031	Head Flat Screw	1/4" x 1/2"	1
54	JET-138	JET Logo with adhesive	138 x 57 mm	1
55	IDP17-55	Hold Down Strip		1
56	IDP17-56	Power Cord	3x18AWG, 300V	1
57	IDP17-57	Screw	3/16" x 45 mm	2
58	IDP17-58	Work Lamp		1
59	TS-0561021	Hex Nut	5/16"	1
60	TS-0270101	Set Screw	5/16" x 30 mm	1
61	TS-0561051	Nylon Lock Hex Nut	1/2"	1
62	IDP17-62	Coil Spring with Cover		1
63	IDP17-63	Phillips Screw	3/16" x 70	2
64	IDP17-64	Switch Box		1
65	IDP17-65	Phillips Pan Head Screw	3/16" x 45	2
66	IDP17-66	On-Off Switch		1
67	IDP17-67	Flat Head Screw	1" x 4 mm	2
68	VB-A27	V-Belt	A27	1
69	TS-0561071	Hex Nut	5/8"	1
70	IDP17-70	Spindle Pulley		1
71	IDP17-71	Retaining Ring	Ø56 mm	2
72	IDP17-72	Drive Taper		1
73	IDP17-73	Ball Spacer		1
74	BB-6205	Ball Bearing	6205	2
75	F006042	External Retaining Ring	Ø14 mm	1
76	BB-6202	Ball Bearing	6202	1
77	IDP17-77	Rubber Washer		1
205	IDP17-205	Quill Assembly (#75-78, 80,81)		1
78	IDP17-78	Quill		1
79	IDP17-79	Drift Key		1
80	BB-6205	Ball Bearing	6205	1
81	IDP17-81	Spindle	MT2	1
82	561766	Morse Taper Arbor	MT2-JT3	1
83	561708-CK	Chuck Key		1
84	561708	Chuck and Key	JT3, 5/8"	1
85	IDP17-85	Depth Stop Base		1
86	TS-0680041	Flat Washer	3/8"	1
87	TS-0561031	Hex Nut	3/8"	1
88	TS-0050031	Hex Cap Screw	1/4" x 3/4"	1
89	IDP17-89	Scale Bolt		1
90	TS-0561071	Hex Nut	5/8"	2
91	IDP17-91	Scale (mm)		1
92	IDP17-92	Spindle Guard Assembly		1
93	LM000146	Warning Label (not shown)		1
94	LM000147	ID Label, IDP-17 (not shown)		1
95	LM000149	Spindle Speed Chart (not shown)		1
96	LM000151	Motor Label (not shown)		1