



Record purchase information:

| | |
|-----------------|------------|
| Model No.: | Stock No.: |
| Serial No.: | |
| Purchased from: | |
| Date purchased: | |

Operating Instructions and Parts Manual

20" EVS Drill Press with Power Feed

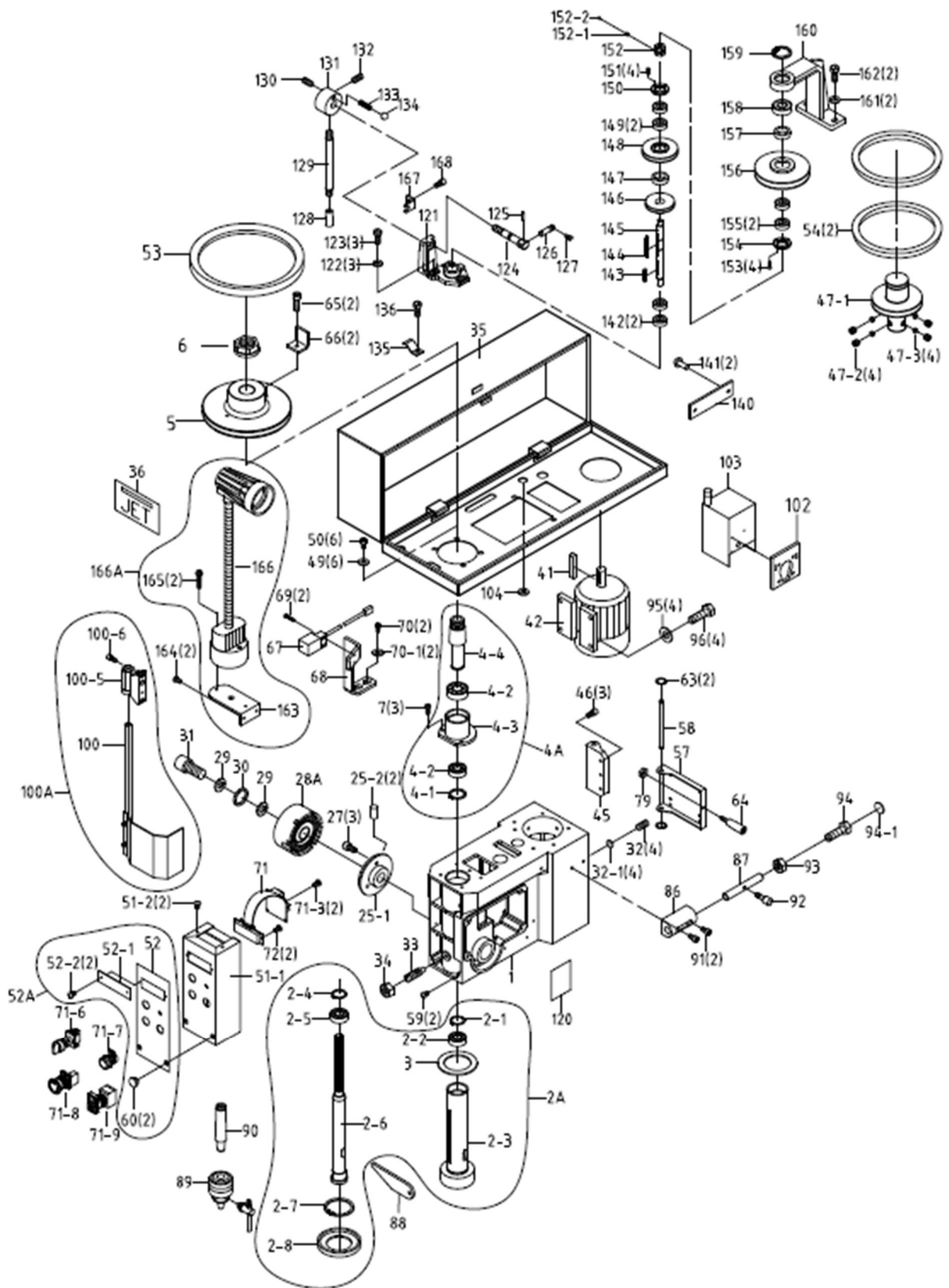
Models JDPE-20EVS-PDF, JDPE-20EVSC-PDF



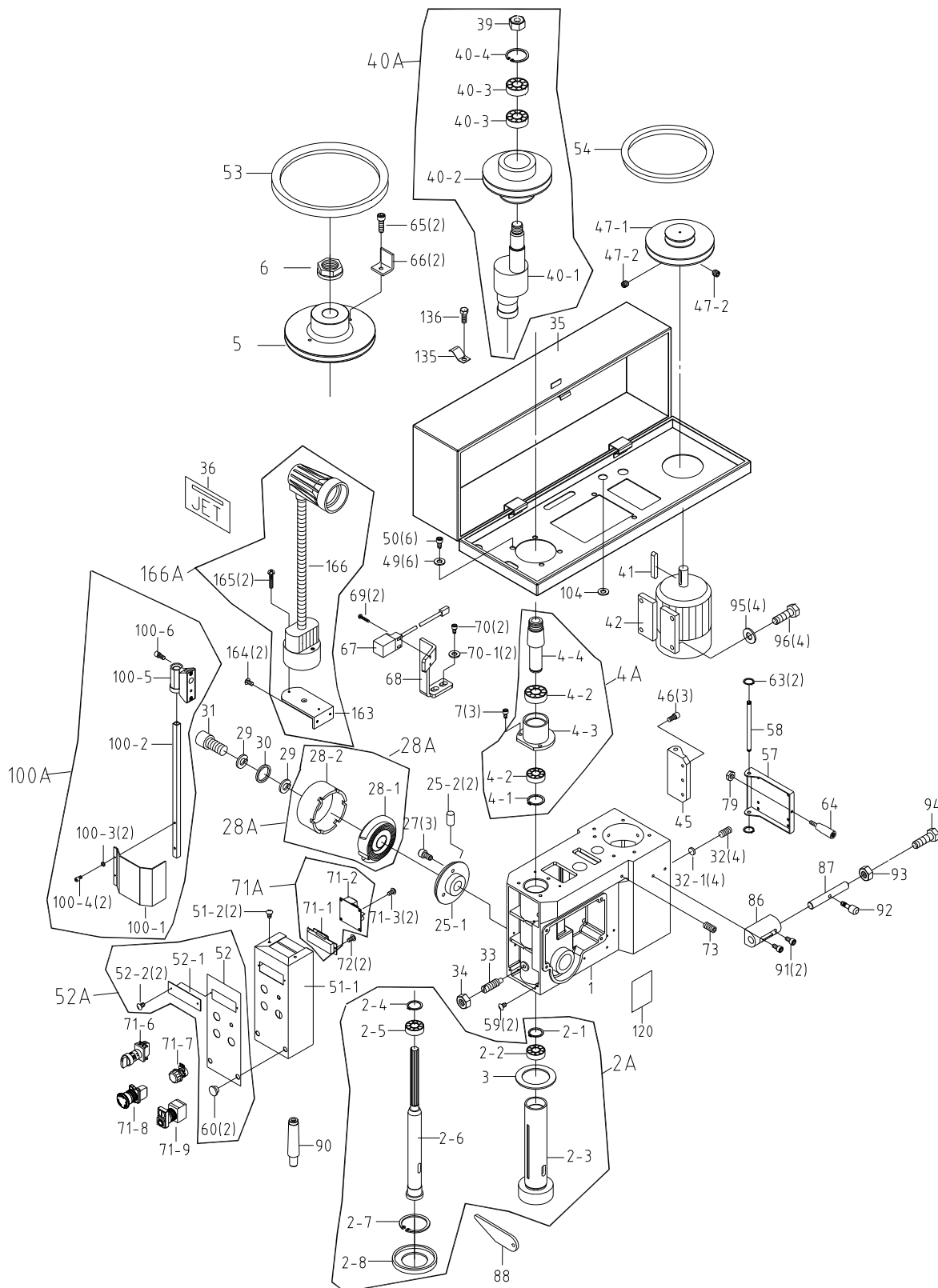
JET
427 New Sanford Road
LaVergne, Tennessee 37086
Ph.: 800-274-6848
www.jettools.com

Part No. M-354250
Edition 3 12/2019
Copyright © 2019 JET

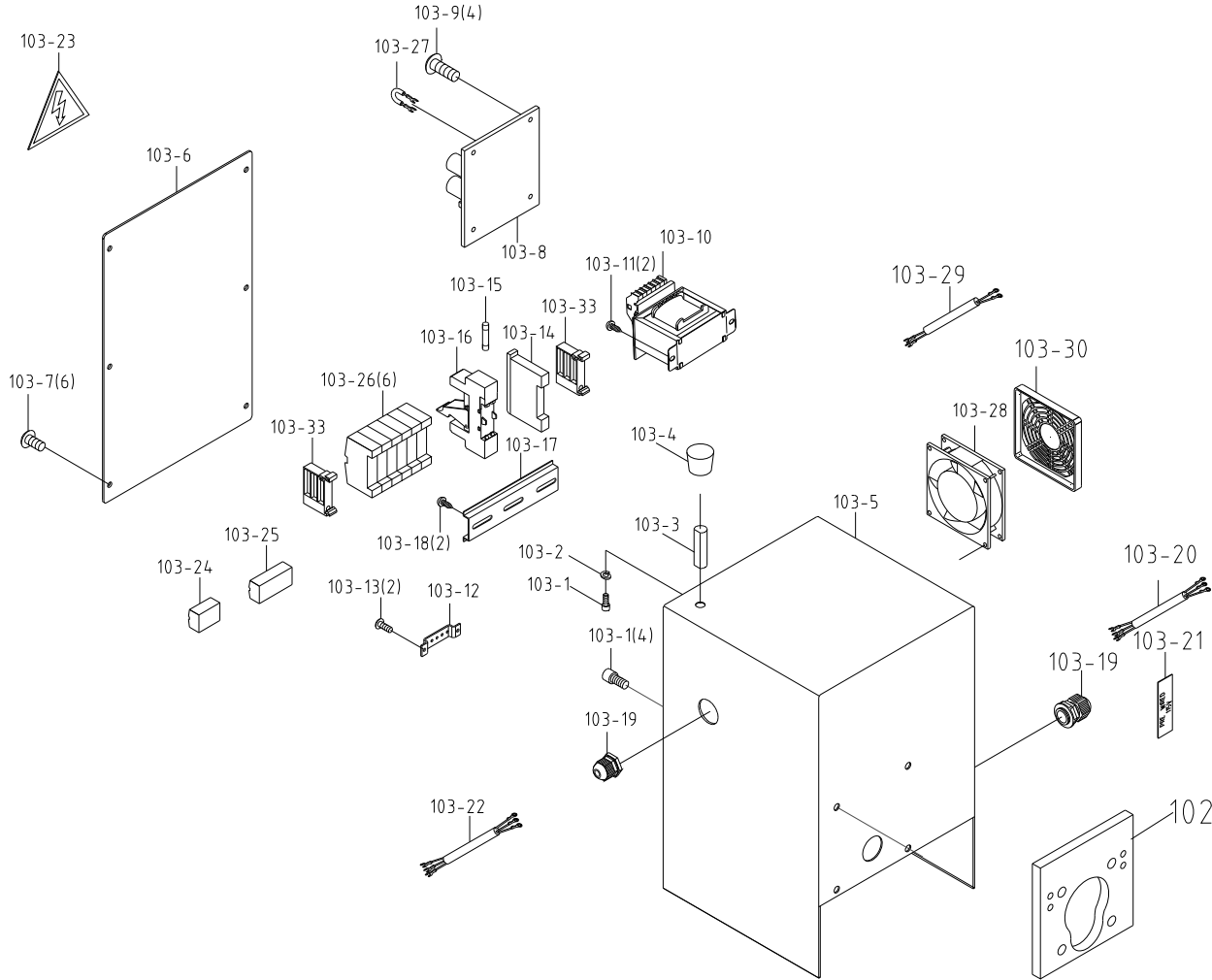
11.1.1 JDPE-20EVSC-PDF (Clutch) Head Assembly – Exploded View

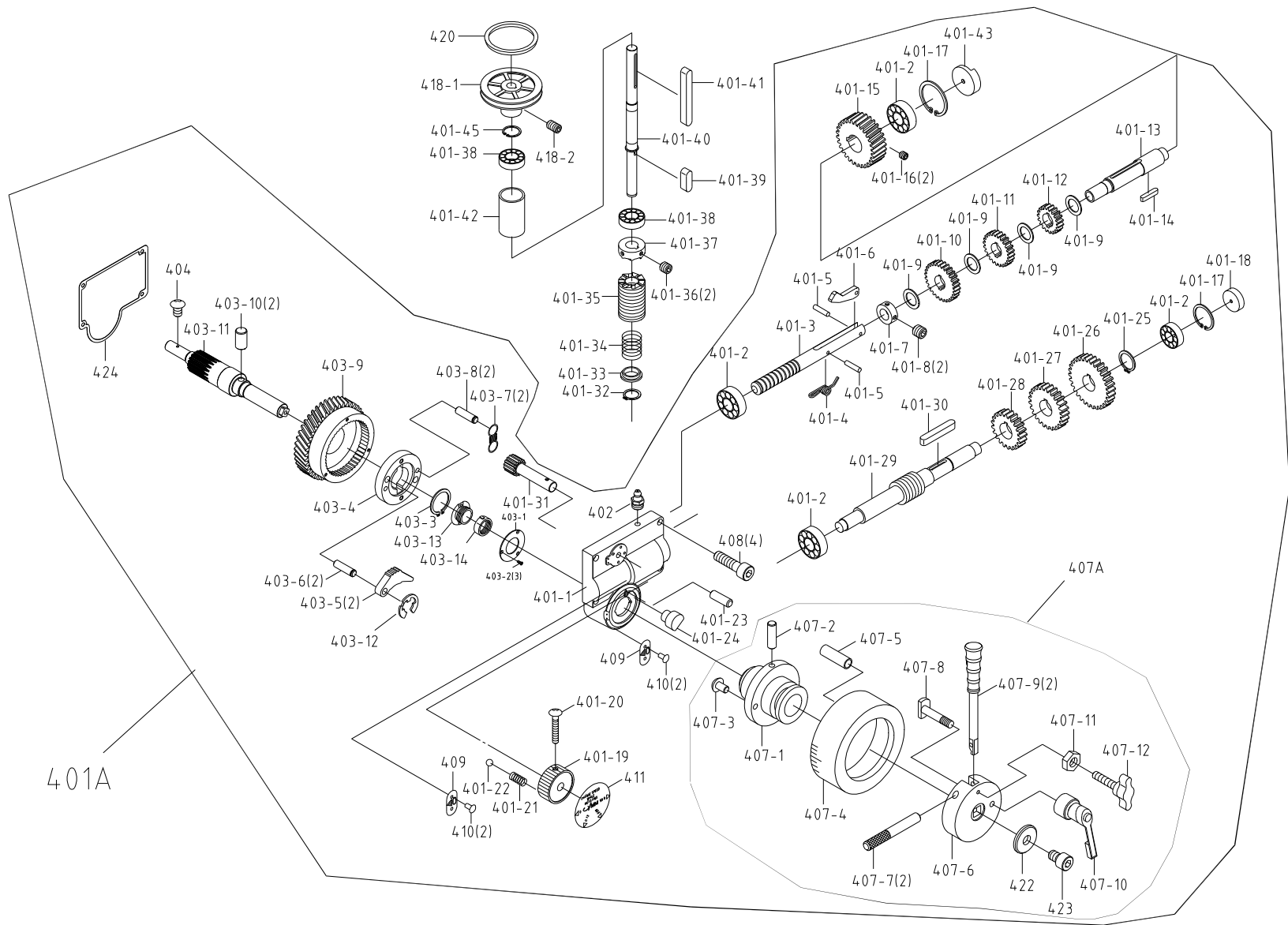


11.1.2 JDPE-20EVS-PDF (Step Pulley) Head Assembly – Exploded View

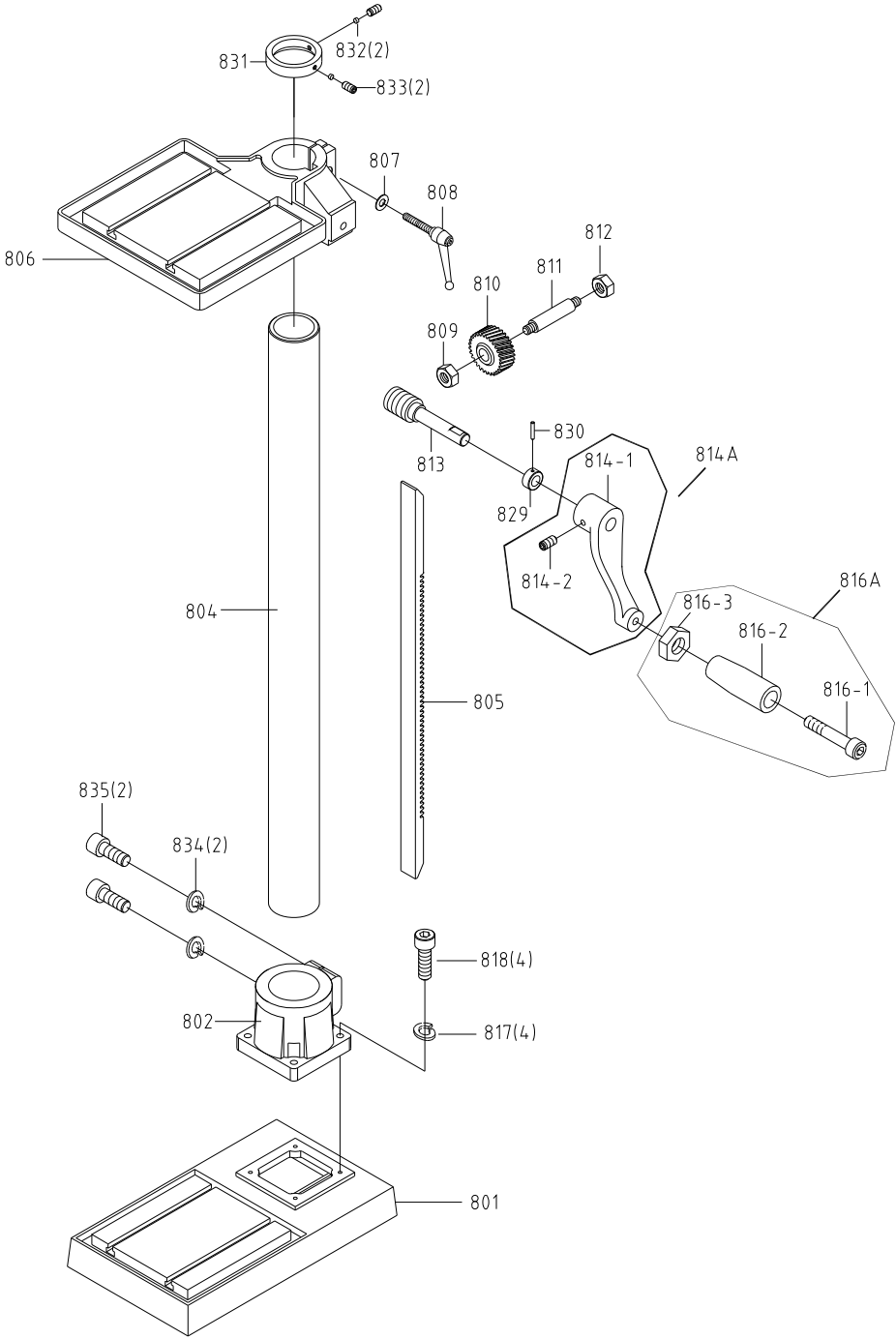


11.1.3 JDPE-20EVS series Electric Box Assembly – Exploded View





11.1.5 JDPE-20EVS series Column & Table Assembly – Exploded View



11.1.6 JDPE-20EVS series Drill Presses – Parts List

| Index No. | Part No. | Description | Size | Qty |
|-----------|--------------------|--|---------------------|-----|
| 1 | JDPE20EVS-PDF-01 | Headstock Casting | | 1 |
| 2A | JDPE20EVS-PDF-2A | Quill Assembly (#2-1~2-8, 3) | | 1 |
| 2-1 | HBS56MVS-096-10 | C-Retaining Ring, Ext | S20 | 1 |
| 2-2 | BB-6204ZZ | Ball Bearing | 6204ZZ | 1 |
| 2-3 | JDPE20EVS-PDF-2-3 | Quill | MT3 | 1 |
| 2-4 | MBS-1211-150 | C-Retaining Ring, Ext | S35 | 1 |
| 2-5 | BB-6207ZZ | Ball Bearing | 6207ZZ | 1 |
| 2-6 | JDPE20EVS-PDF-2-6 | Spindle | MT3 | 1 |
| 2-7 | F006095 | C-Retaining Ring, Int | R72 | 1 |
| 2-8 | JDPE20EVS-PDF-2-8 | Bearing Bottom Cover | MT3 | 1 |
| 3 | JDPE20EVS-PDF-3 | Rubber Cushion | | 1 |
| 4A | JDPE20EVS-PDF-4A | Spindle Taper Sleeve Assembly | | 1 |
| 4-1 | EPR2-85 | C-Retaining Ring, Ext | S30 | 1 |
| 4-2 | BB-6006ZZ | Ball Bearing | 6006ZZ | 2 |
| 4-3 | JDPE20EVS-PDF-4-3 | Bearing Bracket | | 1 |
| 4-4 | JDPE20EVS-PDF-4-4 | Spindle Taper Sleeve | | 1 |
| 5 | JDPE20EVS-PDF-5 | Spindle Pulley | | 1 |
| 6 | JDPE20EVS-PDF-6 | Spindle Lock Nut | | 1 |
| 7 | TS-1504041 | Socket Hd Cap Screw | M8-1.25x20L | 3 |
| 25-1 | JDPE20EVS-PDF-25-1 | Spring Base Assembly | | 1 |
| 25-2 | B-119 | Spring Pin | Ø3x12L mm | 2 |
| 27 | TS-1533052 | Pan Head Screw | M5-0.8x15L | 3 |
| 28A | JDPE20EVS-PDF-28A | Spring Cover w/ Spring Assembly (#28-1~28-2) | | 1 |
| 28-1 | JDPE20EVS-PDF-28-1 | Spring | | 1 |
| 28-2 | JDPE20EVS-PDF-28-2 | Spring Cover | | 1 |
| 29 | TS-2361061 | Lock Washer | M6 | 2 |
| 30 | TS-1550041 | Flat Washer | M6 | 1 |
| 31 | TS-1503041 | Socket Hd Cap Screw | M6-1.0x15L | 1 |
| 32 | TS-1524011 | Set Screw | M8-1.25x8L | 4 |
| 32-1 | JDPE20EVS-PDF-32-1 | Bushing | | 4 |
| 33 | JDPE20EVS-PDF-33 | Fillister Head Screw | | 1 |
| 34 | TS-1540071 | Hex Nut | M10 | 1 |
| 35 | JDPE20EVS-PDF-35 | Pulley Guard Assembly | | 1 |
| 36 | JET-138 | JET Logo | 138x57mm | 1 |
| 39 | JDPE20EVS-PDF-39 | Hex Nut (Step Pulley only) | 5/8" | 1 |
| 40A | JDPE20EVS-PDF-40A | Idle Pulley Shaft Assembly (#39~40-4) (Step Pulley only) | | 1 |
| 40-1 | JDPE20EVS-PDF-40-1 | Idle Pulley Shaft (Step Pulley only) | | 1 |
| 40-2 | JDPE20EVS-PDF-40-2 | Idle Pulley (Step Pulley only) | | 1 |
| 40-3 | BB-6204ZZ | Ball Bearing (Step Pulley only) | 6204ZZ | 2 |
| 40-4 | 20EVS-T44-1 | C-Retaining Ring, Int (Step Pulley only) | R47 | 1 |
| 41 | 2210-260 | Double Rd Hd Key | 6x6x40L mm | 1 |
| 42 | JDPE20EVS-PDF-42 | Motor | 1.5HP/220V/60HZ/3PH | 1 |
| 45 | JDPE20EVS-PDF-45 | Motor Bracket | | 1 |
| 46 | TS-1504041 | Socket Hd Cap Screw | M8-1.25x20L | 3 |
| 47-1 | JDPE20EVS-PDF-47-1 | Motor Pulley | | 1 |
| 47-2 | TS-0270031 | Set Screw | 5/16"-18x3/8"L | 4 |
| 47-3 | JDPE20EVS-PDF-47-3 | Bushing | | 4 |
| 49 | TS-1550061 | Flat Washer | M8x18x1.5mm | 6 |
| 50 | TS-1504031 | Socket Hd Cap Screw | M8-1.25x15L | 6 |
| 51-1 | JDPE20EVS-PDF-51-1 | Control Panel Box | | 1 |
| 51-2 | 5512222 | Pan Head Screw | M6-1.0x15L | 2 |
| 52A | JDPE20EVS-PDF-52A | Control Panel Assembly (#52, 52-1, 52-2, 60) | | 1 |
| 52 | JDPE20EVS-PDF-52 | Control Panel | | 1 |
| 52-1 | JDPE20EVS-PDF-52-1 | Acrylic Plate | | 1 |
| 52-2 | JWL1221VS-128 | Pan Head Screw | M3-0.5x5L | 2 |
| 53 | JDPE20EVS-PDF-53 | Gear Belt | 17-360C | 1 |
| 54 | JDPE20EVSC-PDF-GBC | Gear Belt (Clutch only) | 17-390C | 2 |
| | JDPE20EVS-PDF-53 | Gear Belt (Step Pulley only) | 17-360C | 1 |
| 57 | JDPE20EVS-PDF-57 | Motor Support Bracket | | 1 |

| Index No. | Part No. | Description | Size | Qty |
|-----------|--------------------|---|-----------------|-----|
| 58 | JDPE20EVS-PDF-58 | Motor Bracket Shaft | | 1 |
| 59 | TS-2246102 | Socket Hd Button Screw | M6-1.0x10L | 2 |
| 60 | JDPE20EVS-PDF-60 | Plastic Plug | Ø12 | 2 |
| 63 | GHD20PF-97 | C-Retaining Ring, Ext | S12 | 2 |
| 64 | JDPE20EVS-PDF-64 | Motor Bracket Handle | | 1 |
| 65 | TS-1503041 | Socket Hd Cap Screw | M6-1.0x15L | 2 |
| 66 | JDPE20EVS-PDF-66 | Sensor Board | | 2 |
| 67 | JDPE20EVS-PDF-67 | Sensor | | 1 |
| 68 | JDPE20EVS-PDF-68 | Sensor Bracket | | 1 |
| 69 | F001159 | Pan Head Screw | M3-0.5x16L | 2 |
| 70 | TS-1503041 | Socket Hd Cap Screw | M6-1.0x15L | 2 |
| 70-1 | JDPE20EVS-PDF-70-1 | Flat Washer | Ø6.5xØ13xt0.8mm | 2 |
| 71A | JDPE20EVS-PDF-71A | Digital Readout Assembly (#71-1,71-2) | | 1 |
| 71-1 | JDPE20EVS-PDF-71-1 | Digital Display | | 1 |
| 71-2 | JDPE20EVS-PDF-71-2 | PCB For Digital Display | | 1 |
| 71-3 | TS-1534041 | Pan Head Screw | M5-0.8x10L | 2 |
| 71-6 | JDPE20EVS-PDF-71-6 | Forward/ Reverse Switch | | 1 |
| 71-7 | JDPE20EVS-PDF-71-7 | Speed Control Switch w/ Knob Assembly | | 1 |
| 71-8 | JDPE20EVS-PDF-71-8 | EMG Stop Switch | | 1 |
| 71-9 | JDPE20EVS-PDF-71-9 | Start/ Stop Switch | | 1 |
| 72 | TS-1531012 | Pan Head Screw | M3-0.5x6L | 4 |
| 73 | JWBS14DP-4-3 | Set Screw (Step Pulley only) | M8-1.25x35L | 1 |
| 79 | TS-1540061 | Hex Nut | M8 | 1 |
| 86 | JDPE20EVS-PDF-86 | Latch Seat | | 1 |
| 87 | JDPE20EVS-PDF-87 | Latch | | 1 |
| 88 | JDPE20EVS-PDF-88 | Drift Key | | 1 |
| 89 | JDPE20EVSPDF1/2JT6 | Drill Chuck with Key | 1/2"-JT6 | 1 |
| 90 | JDPE20EVSPDFMT3JT6 | Drill Chuck Arbor | MT3-JT6 | 1 |
| 91 | TS-1503041 | Socket Hd Cap Screw | M6-1.0x15L | 2 |
| 92 | JDPE20EVS-PDF-92 | Latch Handle | | 1 |
| 93 | TS-1540071 | Hex Nut | M10-1.5 | 1 |
| 94 | TS-1491031 | Hex Cap Screw | M10-1.5x25L | 1 |
| 95 | TS-0680031 | Flat Washer | 5/16"x18xt1.5mm | 4 |
| 96 | TS-1490031 | Hex Cap Screw | M8-1.25x20L | 4 |
| 100A | JDPE20EVS-PDF-100A | Spindle Guard Assembly (#101~106) | | 1 |
| 100-1 | JDPE20EVSPDF-100-1 | Spindle Guard | | 1 |
| 100-2 | JDPE20EVSPDF100-2 | Support Rod | | 1 |
| 100-3 | TS-2361051 | Lock Washer | M5 | 2 |
| 100-4 | TS-1502021 | Socket Hd Cap Screw | M5-0.8x10L | 2 |
| 100-5 | JDPE20EVSPDF-100-5 | Rotary Seat | | 1 |
| 100-6 | TS-1502041 | Socket Hd Cap Screw | M5-0.8x15L | 2 |
| 102 | JDPE20EVS-PDF-102 | Plate | | 1 |
| 103A | JDPE20EVSPDF103ACS | Electric Box Complete Assembly (#103-1~103-30) | CSA version | 1 |
| | JDPE20EVSPDF-103A | Electric Box Complete Assembly (#103-1~103-23 and 103-25~103-27) | Non-CSA version | 1 |
| 103-1 | TS-1503041 | Socket Hd Cap Screw | M6-1.0x15L | 5 |
| 103-2 | TS-2361061 | Lock Washer | M6 | 1 |
| 103-3 | JDPE20EVSPDF-103-3 | Stand-Off | | 1 |
| 103-4 | JDPE20EVSPDF-103-4 | Rubber Stop | | 1 |
| 103-5 | JDPE20EVSPDF-103-5 | Electric Box | | 1 |
| 103-6 | JDPE20EVSPDF-103-6 | Electric Box Cover | | 1 |
| 103-7 | TS-1532032 | Pan Head Screw | M4-0.7x10L | 6 |
| 103-8 | JDPE20EVSPDF-103-8 | Inverter | 2HP 115V | 1 |
| | JDPE20EVSCPDF103-8 | Inverter (Clutch Type) | 2HP 115V | 1 |
| 103-9 | TS-1532032 | Pan Head Screw | M4-0.7x10L | 4 |
| 103-10 | JDPE20EVSPDF103-10 | Transformer | | 1 |
| 103-11 | TS-1532032 | Pan Head Screw | M4-0.7x10L | 2 |
| 103-12 | JDPE20EVSPDF103-12 | Grounding Copper Plate | | 1 |
| 103-13 | TS-1532032 | Pan Head Screw | M4-0.7x10L | 2 |
| 103-14 | JDPE20EVSPDF103-14 | Fuse Seat | 281-661 | 1 |

| Index No. | Part No. | Description | Size | Qty |
|-----------|---------------------|--|------------------|-----|
| 103-15 | JDPE20EVSPDF103-2A | Fuse | 2A2CM | 1 |
| | JDPE20EVSPDF103CSA | Fuse (CSA) | 2A2CM/CSA | 1 |
| 103-16 | JDPE20EVSPDF103-16 | Relay | | 1 |
| 103-17 | JDPE20EVSPDF103-17 | Aluminum Rail | 56MM | 1 |
| 103-18 | TS-1532032 | Pan Head Screw | M4-0.7x10L | 2 |
| 103-19 | JDPE20EVSPDF103-19 | Strain Relief | PG13.5 | 2 |
| 103-20 | JDPE20EVSPDF103-20 | Power Cord with Plug | SJT 3x14AWG 300V | 1 |
| 103-21 | LM000378 | Voltage Decal | | 1 |
| 103-22 | JDPE20EVSPDF103-22 | Control Cable | | 1 |
| 103-23 | CL-HV | Label - Voltage Hazard | | 1 |
| 103-24 | JDPE20EVSPDF103-24 | Quick Plug (2P) | | 2 |
| 103-25 | JDPE20EVSPDF103-25 | Quick Plug (3P) | | 2 |
| 103-26 | JDPE20EVSPDF103-26 | Terminal | | 6 |
| 103-27 | JDPE20EVSPDF103-27 | Shortage Plate | | 3 |
| 103-28 | JDPE20EVSPDF103-28 | Cooling Fan | | 1 |
| 103-29 | JDPE20EVSPDF103-29 | Control Cable | | 1 |
| 103-30 | JDPE20EVSPDF103-30 | Cooling Fan Grill | | 1 |
| 103-33 | JDPE20EVSPDF103-33 | Terminal Support Plate | | 1 |
| 104 | JDPE20EVS-PDF-104 | Snap Bushing | NB1419 | 1 |
| 120 | LM000379 | ID Label, JDPE-20EVS-PDF | | 1 |
| | LM000380 | ID Label, JDPE-20EVSC-PDF | | 1 |
| 121 | JDPE20EVSC-PDF-121 | Bearing Bracket (Clutch Only) | | 1 |
| 122 | TS-1550061 | Flat Washer (Clutch Only) | M8x18x1.6t | 3 |
| 123 | TS-1490051 | Hex Cap Screw (Clutch Only) | M8-1.25x30L | 3 |
| 124 | JDPE20EVSC-PDF-124 | Control Bar (Clutch Only) | | 1 |
| 125 | B-56 | Spring Pin (Clutch Only) | Ø3x20L mm | 1 |
| 126 | JDPE20EVSC-PDF-126 | Crank Rod (Clutch Only) | | 1 |
| 127 | JDPE20EVSC-PDF-127 | Crank (Clutch Only) | | 1 |
| 128 | JDPE20EVSC-PDF-128 | Knob (Clutch Only) | | 1 |
| 129 | JDPE20EVSC-PDF-129 | Handle (Clutch Only) | | 1 |
| 130 | TS-0270031 | Set Screw (Clutch Only) | 3/8"-16x3/8"L | 1 |
| 131 | JDPE20EVSC-PDF-131 | Hi/Low Speed Setting Block (Clutch Only) | | 1 |
| 132 | TS-0267052 | Set Screw (Clutch Only) | 1/4"-20x1/2"L | 1 |
| 133 | JDPE20EVSC-PDF-133 | Spring (Clutch Only) | | 1 |
| 134 | SB-8MM | Steel Ball (Clutch Only) | Ø8 or 5/16" | 1 |
| 135 | JDPE20EVS-PDF-135 | Cable Clip | | 1 |
| 136 | TS-0051051 | Hex Cap Screw | 5/16"-18x1"L | 1 |
| 140 | JDPE20EVSC-PDF-140 | Hi/Low Speed Label (Clutch Only) | | 1 |
| 141 | JDPE20EVSC-PDF-141 | Rivet (Clutch Only) | Ø2x4L mm | 1 |
| 142 | BB-630ZZ | Ball Bearing (Clutch Only) | 630ZZ | 2 |
| 143 | KF2R5525 | Double Round Hd Key (Clutch Only) | 5x5x25L mm | 1 |
| 144 | JDPE20EVSC-PDF-144 | Key (Clutch Only) | 5x5x53L mm | 1 |
| 145 | JDPE20EVSC-PDF-145 | Pulley Shaft (Clutch Only) | | 1 |
| 146 | JDPE20EVSC-PDF-146 | Pulley (Clutch Only) | | 1 |
| 147 | JDPE20EVSC-PDF-147 | Spacer (Clutch Only) | | 1 |
| 148 | JDPE20EVSC-PDF-148 | Pulley (Clutch Only) | | 1 |
| 149 | BB-6203ZZ | Ball Bearing (Clutch Only) | SKF6203ZZ | 2 |
| 150 | JDPE20EVSC-PDF-150 | Fixes Bracket (Clutch Only) | | 1 |
| 151 | TS-1512031 | Socket Hd Flat Screw (Clutch Only) | M4-0.7x15L | 4 |
| 152 | JDPE20EVS-PDF-152 | Crank Support (Clutch Only) | | 1 |
| 152-1 | JDPE20EVS-PDF-152-1 | Compressed Spring | | 1 |
| 152-2 | SB-4MM | Steel Ball | Ø4mm | 1 |
| 153 | TS-1512031 | Socket Hd Flat Screw (Clutch Only) | M4-0.7x15L | 4 |
| 154 | JDPE20EVSC-PDF-154 | Fixed Bracket (Clutch Only) | | 1 |
| 155 | BB-6203ZZ | Ball Bearing (Clutch Only) | SKF6203ZZ | 2 |
| 156 | JDPE20EVSC-PDF-156 | Pulley (Clutch Only) | | 1 |
| 157 | JDPE20EVSC-PDF-157 | Spacer (Clutch Only) | | 1 |
| 158 | BB-630ZZ | Ball Bearing (Clutch Only) | 630ZZ | 1 |
| 159 | F006077 | C-Retaining Ring, Int (Clutch Only) | R42 | 1 |
| 160 | JDPE20EVSC-PDF-160 | Idler Pulley Support (Clutch Only) | | 1 |
| 161 | TS-1550061 | Flat Washer (Clutch Only) | M8x18x1.5mm | 2 |
| 162 | TS-1490041 | Hex Cap Screw (Clutch Only) | M8-1.25x25L | 2 |

| Index No. | Part No. | Description | Size | Qty |
|-----------|--------------------|-----------------------------------|----------------|-----|
| 163 | GHD20-126 | Lamp Base | | 1 |
| 164 | TS-1503031 | Socket Hd Cap Screw | M6-1.0x12L | 2 |
| 165 | TS-2284352 | Pan Head Screw | M4-0.7x35L | 2 |
| 166 | MD40GH-123 | Led Lamp | 110V | 1 |
| 166A | JDPE20EVS-PDF-LEDA | Led Assembly (#163,165,166) | 115V with Plug | 1 |
| 167 | JDPE20EVS-PDF-167 | Cable Clip | | 1 |
| 168 | TS-1482011 | Hex Cap Screw | M6-1.0x10L | 1 |
| 401A | JDPE20EVS-PDF-401A | Power Down Feed Compound Assembly | | 1 |
| 401-1 | JDPE20EVSPDF401-1 | Gear Box | | 1 |
| 401-2 | BB-6003ZZ | Ball Bearing | 6003ZZ | 4 |
| 401-3 | 2450082A | Speed Change Lever | | 1 |
| 401-4 | 2450084A | Spring Leaf | | 1 |
| 401-5 | GHD20PF-357 | Spring Pin | Ø3x10L mm | 2 |
| 401-6 | 2450083A | Stop Key | | 1 |
| 401-7 | 2450089A | Fixed Bushing | | 1 |
| 401-8 | TS-1523011 | Set Screw | M6-1.0x6L | 2 |
| 401-9 | 2450074A | Washer | | 4 |
| 401-10 | 2450072A | Gear | M2x28T | 1 |
| 401-11 | 2450071A | Gear | M2x24T | 1 |
| 401-12 | 2450070A | Gear | M2x19T | 1 |
| 401-13 | 2450073A | Shaft | | 1 |
| 401-14 | GHD20PF-379 | Double Rd Hd.Key | 5x5x28L mm | 1 |
| 401-15 | 2450008 | Worm Gear | M1.75x25T | 1 |
| 401-16 | TS-1523011 | Set Screw | M6-1.0x6L | 2 |
| 401-17 | F006033 | C-Retaining Ring, Int. | R33 | 2 |
| 401-18 | 668129 | Plug | | 1 |
| 401-19 | 2450079 | Speed Dial | | 1 |
| 401-20 | GHD20PF-233 | Pan Head Screw | M4-0.7x25L | 1 |
| 401-21 | 290089 | Spring | | 1 |
| 401-22 | SB-8MM | Steel Ball | Ø8mm | 1 |
| 401-23 | 2450051 | Pin | | 1 |
| 401-24 | 2450020 | Release Block | | 1 |
| 401-25 | GHD20PF-380 | C-Retaining Ring, Int. | S19 | 1 |
| 401-26 | 2450077A | Gear | M2x30T | 1 |
| 401-27 | 2450076A | Gear | M2x25T | 1 |
| 401-28 | 2450075A | Gear | M2x21T | 1 |
| 401-29 | JDPE20EVSPDF401-29 | Transfer Worm Shaft | | 1 |
| 401-30 | GHD20PF-265 | Double Rd. Hd. Key | 5x5x32L mm | 1 |
| 401-31 | 2450081A | Gear Shaft | | 1 |
| 401-32 | GHD20-148 | C-Retaining Ring, Ext | S15 | 1 |
| 401-33 | JDPE20EVSPDF401-33 | Washer | | 1 |
| 401-34 | 2450054 | Spring | | 1 |
| 401-35 | 2450052 | Worm Shaft | | 1 |
| 401-36 | TS-1523011 | Set Screw | M6-1.0x6L | 2 |
| 401-37 | 2450053 | Clutch Block | | 1 |
| 401-38 | BB-6003ZZ | Ball Bearing | 6003ZZ | 2 |
| 401-39 | GHD20PF-296 | Key Double Rd Hd | 5x5x10L mm | 1 |
| 401-40 | JDPE20EVSPDF401-40 | Transfer Shaft | | 1 |
| 401-41 | S0400545 | Key Double Rd Hd | 5x5x45L mm | 1 |
| 401-42 | JDPE20EVSPDF401-42 | Bushing | | 1 |
| 401-43 | JDPE20EVSPDF401-43 | Cover | | 1 |
| 401-45 | GHD20-10 | C-Retaining Ring, Ext | S17 | 1 |
| 402 | JDPE20EVS-PDF-402 | Grease Fitting | 1/8"x45° | 1 |
| 403-1 | JDPE20EVSPDF403-1 | Cover | | 1 |
| 403-2 | F001230 | Pan Head Screw | M4-0.7x4L | 3 |
| 403-3 | GHD20PF-244 | C-Retaining Ring, Ext | S25 | 1 |
| 403-4 | 2450024 | Clutch Key Base | | 1 |
| 403-5 | 2450026 | Clutch Key | | 2 |
| 403-6 | 2450097 | Clutch Key Pin | Ø7x23L mm | 2 |
| 403-7 | 2450028 | Spring | | 2 |
| 403-8 | 2450027 | Spring Pin | | 2 |
| 403-9 | 2450023 | Worm Gear | | 1 |

| Index No. | Part No. | Description | Size | Qty |
|-----------|--------------------|--|-------------------|-----|
| 403-10 | 2450022A | Cylindrical Key | | 2 |
| 403-11 | JDPE20EVSPDF403-11 | Pinion Shaft | | 1 |
| 403-12 | GHD20PF-376 | E-Retainer Ring | E5 | 1 |
| 403-13 | 2450096 | Clutch Screw | | 1 |
| 403-14 | 2450095 | Clutch Nut | | 1 |
| 404 | GHD20PF-40 | Screw | 3/16"-18x3/8"L | 1 |
| 407A | JDPE20EVS-PDF-407A | Clutch Handle Assembly (#407-1~407-12,422,423) | Inch | 1 |
| 407-1 | 2450087A | Clutch Bushing | | 1 |
| 407-2 | 2450030 | Bushing Pin | | 1 |
| 407-3 | 2450031 | Bushing Stop | | 1 |
| 407-4 | 2450032 | Scale Base | Inch | 1 |
| 407-5 | GHD20PF-332 | Pin | Ø5x15L mm | 1 |
| 407-6 | 2450037 | Handle Hub | | 1 |
| 407-7 | 2450039 | Handle Rod Pin | | 2 |
| 407-8 | 2450033 | Scale Base Set Screw | | 1 |
| 407-9 | 2450038N | Handle Rod | | 2 |
| 407-10 | 2450063 | Handle | | 1 |
| 407-11 | TS-0640081 | Hex Nut | 5/16" | 1 |
| 407-12 | GHD20PF-346 | Manual Feed Knob | 5/16"-18x3/4"L | 1 |
| 408 | TS-1504101 | Socket Hd Cap Screw | M8-1.25x50L | 4 |
| 409 | 2450060 | Pointer | | 2 |
| 410 | GHD20PF-249 | Rivet | Ø2x4L mm | 4 |
| 411 | GHD20PF-370 | Speed Scale | Inch | 1 |
| 418-1 | JDPE20EVSPDF418-1 | Power Feed Transfer Pulley | | 1 |
| 418-2 | TS-1524011 | Set Screw | M8-1.25x8L | 2 |
| 420 | JDPE20EVS-PDF-420 | Rubber Tubular Belt | Ø8x565 mm | 1 |
| 422 | TS-0680031 | Flat Washer | 5/16"x23x2t | 1 |
| 423 | TS-1504021 | Socket Hd Cap Screw | M8x12L | 1 |
| 424 | JDPE20EVS-PDF-424 | Gasket | | 1 |
| 801 | JDPE20EVS-PDF-801 | Base | | 1 |
| 802 | JDPE20EVS-PDF-802 | Column Base | | 1 |
| 804 | JDPE20EVS-PDF-804 | Column | | 1 |
| 805 | JDPE20EVS-PDF-805 | Rack | | 1 |
| 806 | JDPE20EVS-PDF-806 | Table | | 1 |
| 807 | TS-2360121 | Flat Washer | M12 | 1 |
| 808 | JDPE20EVS-PDF-808 | Lever Handle | | 1 |
| 809 | TS-1540081 | Hex Nut | M12 | 1 |
| 810 | JDPE20EVS-PDF-810 | Worm Gear | | 1 |
| 811 | JDPE20EVS-PDF-811 | Worm Gear Shaft | | 1 |
| 812 | TS-1540081 | Hex Nut | M12 | 1 |
| 813 | JDPE20EVS-PDF-813 | Worm Rod | | 1 |
| 814A | JDPE20EVS-PDF-814A | Crank Assembly (#814-1,814-2) | | 1 |
| 814-1 | JDPE20EVSPDF814-1 | Crank | | 1 |
| 814-2 | TS-0271051 | Set Screw | 3/8"-16x1/2" | 1 |
| 816A | JDPE20EVS-PDF-816A | Handle Assembly (#816-1~816-3) | | 1 |
| 816-1 | JDPE20EVSPDF816-1 | Screw | 3/8"-16UNCx3-1/2" | 1 |
| 816-2 | JDPE20EVSPDF816-2 | Handle | | 1 |
| 816-3 | TS-0561031 | Hex Nut | 3/8" | 1 |
| 817 | TS-2361121 | Lock Washer | M12 | 4 |
| 818 | TS-1506091 | Socket Hd Cap Screw | M12-1.75x60L | 4 |
| 829 | JDPE20EVS-PDF-829 | Spacer | | 1 |
| 830 | HBS814GH-020 | Spring Pin | Ø5x34L mm | 1 |
| 831 | JDPE20EVS-PDF-831 | Column Flange Ring | | 1 |
| 832 | JDPE20EVS-PDF-832 | Bushing | | 2 |
| 833 | TS-1525011 | Set Screw | M10-1.5x10 | 2 |
| 834 | TS-2361161 | Lock Washer | M16 | 2 |
| 835 | F005494 | Socket Hd Cap Screw | M16-2.0x50 | 2 |
| | TS-152706 | Hex Wrench | 4MM | 1 |
| | TS-152705 | Hex Wrench | 5MM | 1 |
| | TS-152704 | Hex Wrench | 3MM | 1 |