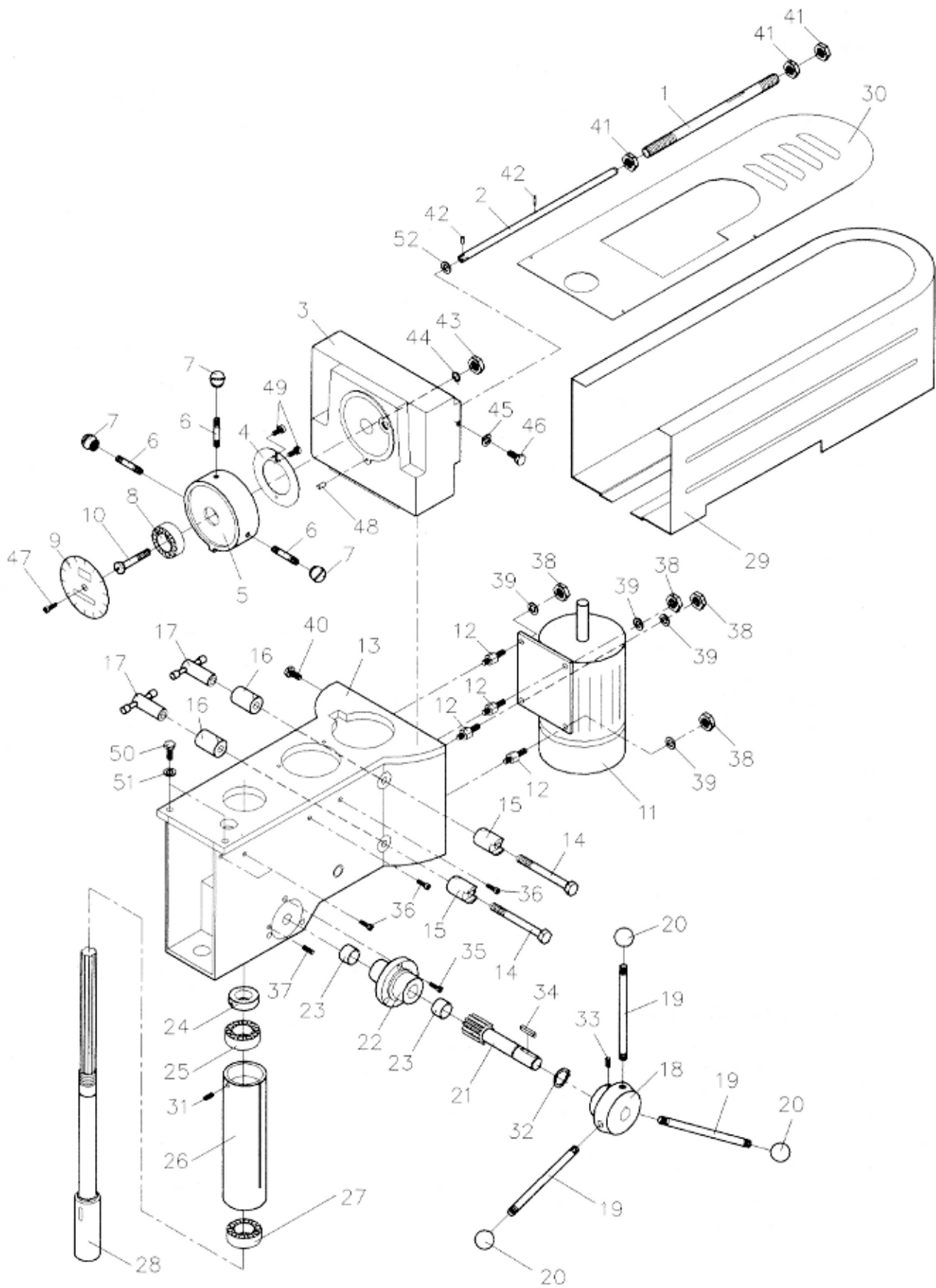


JDP-20VS-1/3 Head Assembly



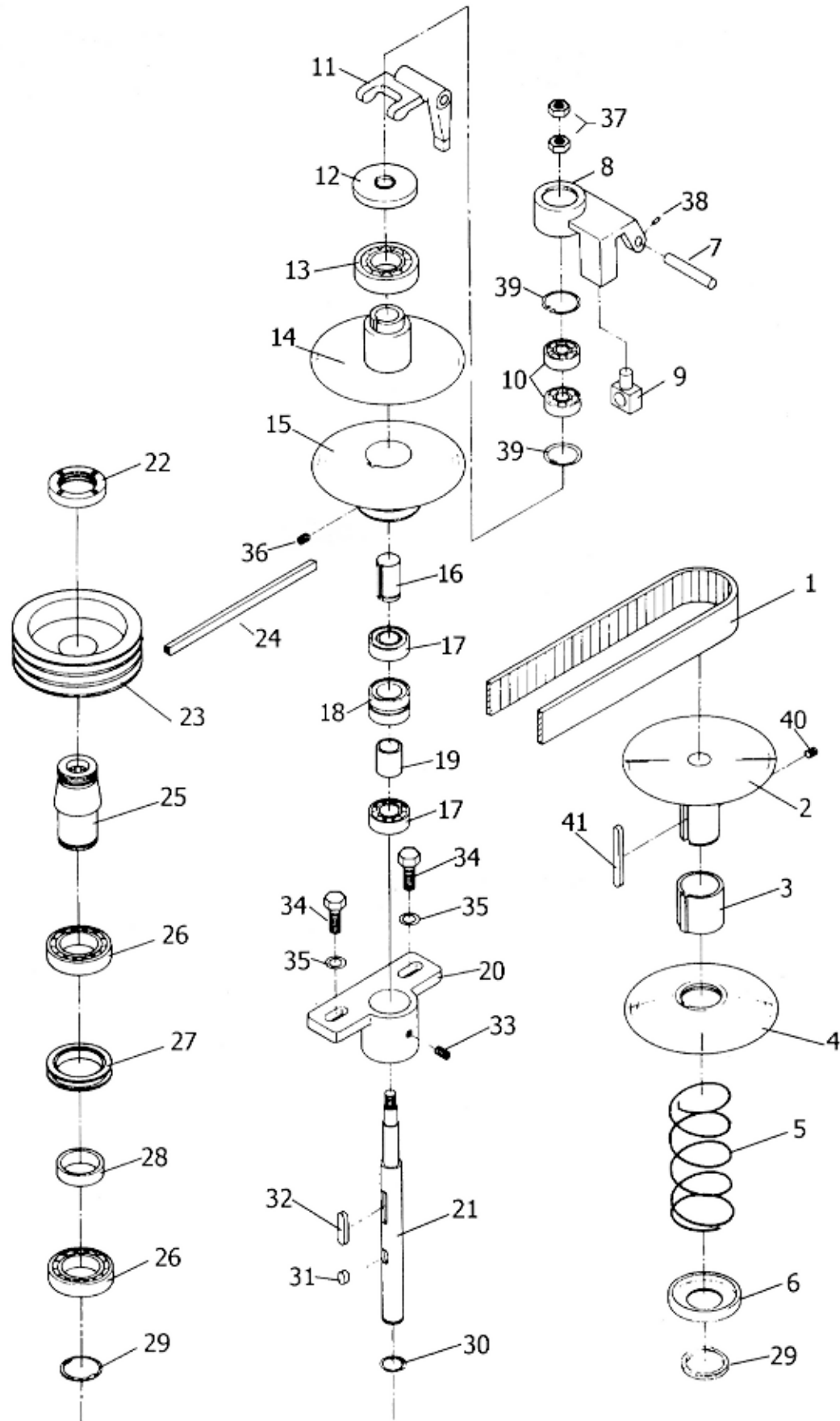
JDP-20VS-1/3 Head Assembly

Index No.	Part No.	Description	Size	Qty.
1	70-1507	Push Rod Tube		1
2	70-1509	Push Rod		1
3	70-1508	Spindle Cover		1
4	70-1516	Cam Spring		1
5	70-1512	Hub		1
6	70-1515	Handle		3
7	70-1515-1	Ball		3
8	A-632	Ball Bearing		1
9	71-1610	Speed Dial		1
10	70-1513	Bolt		1
11	70-1901	Motor (JDP-20VS-1 only)	1-1/2 HP, 1Ph	1
	70-1903	Motor (JDP-20VS-3 only)	2HP, 3Ph	1
12	71-1009	Motor Mount Bolt		4
13	71-1001B	Head		1
14	70-1026B	Lock Screw		2
15	70-1019B	Head Lock		2
16	70-1020B	Head Lock		2
17	70-1022	Lock Handle		2
18	70-1407B	Hub		1
19	70-1408A	Handle		3
20	70-1408-1A	Ball		3
21	70-1401B	Pinion		1
22	71-1402B	Pinion Support		1
23	71-1402-1	Bushing		2
24	71-1004B	Nut		1
25	BB-6206Z	Ball Bearing		1
26	71-1003B	Quill		1
27	BB-5206	Ball Bearing		1
28	71-1002B	Spindle		1
29	70-1014A	Belt Cover (From higher serial No.0602658)		1
30	70-1014-1A	Top Plate (From higher serial No.0602658)		1
31	TS-0267031	Set Screw	1/4 x 5/16	1
32	JDP20VS-32	Snap Ring	R25	1
33	TS-0270021	Set Screw	5/16 x 5/16	1
34	JDP20VS-34	Key	6 x 6 x 30	1
35	JDP20VS-35	Pan Head Screw	1/4 x 3/4	3
36	JDP20VS-36	Pan Head Screw	1/4 x 1/2	4
37	TS-0270101	Set Screw	5/16 x 1-1/4	2
38	TS-0561031	Hex Nut	3/8	4
39	TS-0680041	Washer	3/8	4
40	TS-0051011	Hex Cap Bolt	5/16 x 1/2	2
41	TS-0561072	Hex Nut	5/8-18UNF	3
42	JDP20VS-42	Pin	3 x 18	2
43	TS-0561052	Hex Nut	1/2-20UNF	1
44	TS-0720111	Spring Washer	1/2	1
45	TS-0680041	Washer	3/8	1
46	TS-0051051	Hex Cap Bolt	5/16 x 1	2
47	JDP20VS-47	Hex Socket Cap Screw	1/4 x 1/4	1
48	JDP20VS-48	Pin	5 x 20	1

JDP-20VS-1/3 Head Assembly (continued)

49	JDP20VS-49	Screw	3/16 x 3/8	3
50	TS-0061041	Hex Cap Bolt	7/16 x 1-1/4	3
51	TS-0680051	Spring Washer	7/16	2
52	JDP20VS-52	Washer		1

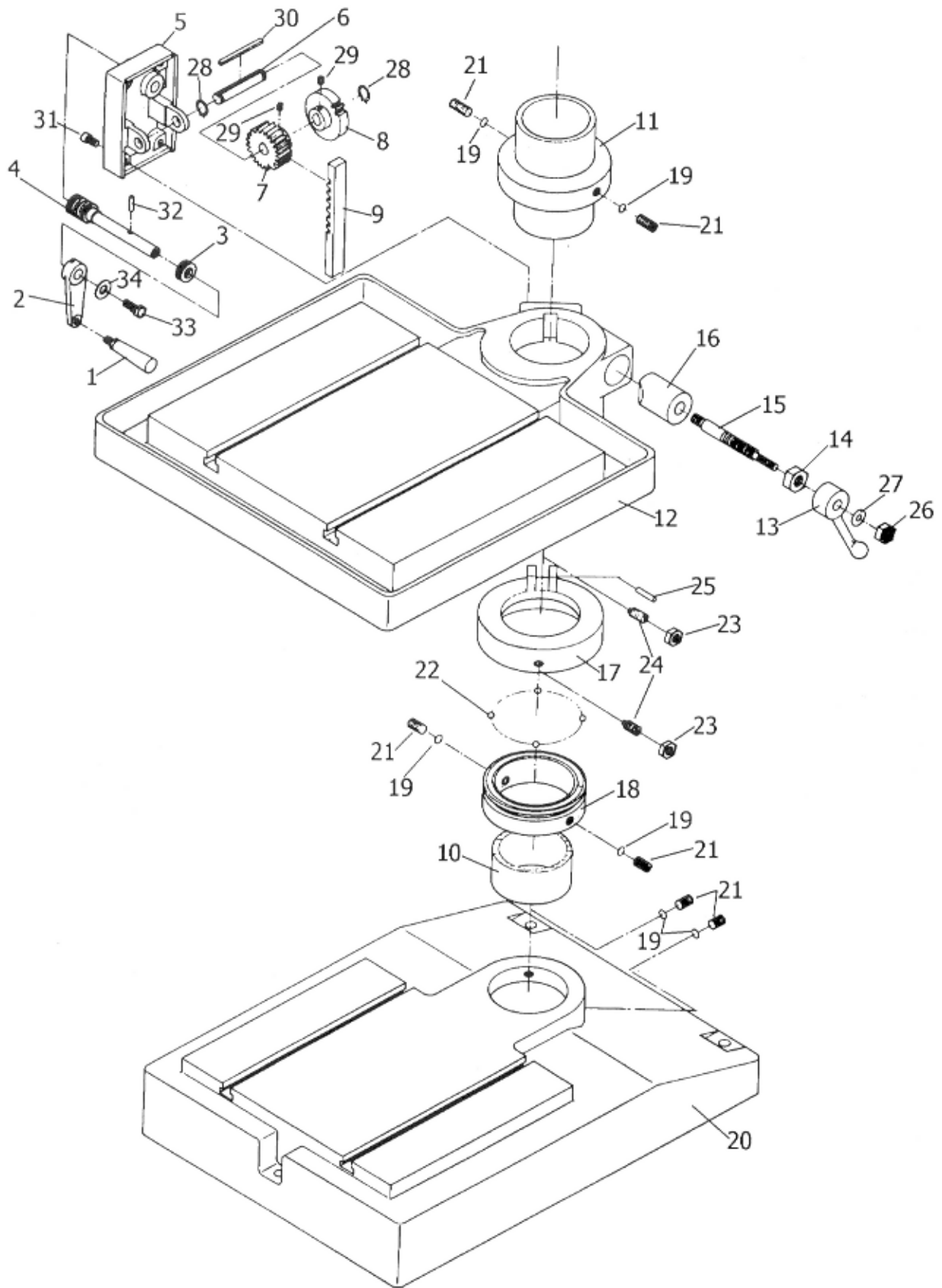
JDP-20VS-1/3 Variable Speed Assembly



JDP-20VS-1/3 Variable Speed Assembly

1	70-1206	V-Belt	VB-1926V427	1
2	70-1211	Upper Motor Pulley		1
3	70-1023	Motor Pulley Sleeve		1
4	70-1210	Lower Motor Pulley		1
5	70-1024	Pulley Spring		1
6	70-1212	Spring Housing		1
7	70-1505	Hinge Pin		1
8	70-1502	Spindle Control Support		1
9	70-1504	Support Swivel		1
10	BB-6302Z	Ball Bearing		2
11	70-1501	Speed Control Fork		1
12	70-1506	Bearing Cup		1
13	BB-6207Z	Ball Bearing		1
14	70-1012	Upper Variable Speed Pulley		1
15	70-1011	Lower Variable Speed Pulley		1
16	70-1010	Spindle Pulley Sleeve		1
17	BB-6205Z	Ball Bearing		2
18	70-1016	Control Shaft Spindle		1
19	70-1017	Sleeve		1
20	70-1018	Bearing Housing		1
21	70-1015	Control Shaft Spindle		1
22	70-1009	Nut		1
23	70-1007	Spindle Pulley		1
24	VB-A25	V-Belt		3
25	70-1008	Spindle Driver		1
26	BB-6009Z	Ball Bearing		2
27	70-1006	Bearing Spacer Sleeve		1
28	70-1021	Bearing Inner Sleeve		1
29	JDP20VS-29	Clip	S45	2
30	JDP20VS-30	Clip	S24	1
31	JDP20VS-31	Key	4.75 x 10 x 10	1
32	JDP20VS-32A	Key	4.75 x 10 x 38	1
33	TS-0267031	Set Screw	1/4 x 5/16	1
34	TS-0061041	Hex Cap Bolt	7/16 x 1-1/4	2
35	TS-0680051	Washer	7/16	2
36	TS-0267031	Set Screw	1/4 x 5/16	1
37	TS-0561042	Hex Nut	7/16-20UNF	2
38	JDP20VS-38	Pin	3 x 18	1
39	JDP20VS-39	Clip	R42	2
40	TS-0270021	Set Screw	5/16 x 5/16	1
41	JDP20VS-41	Key	5.3 x 10 x 48	1

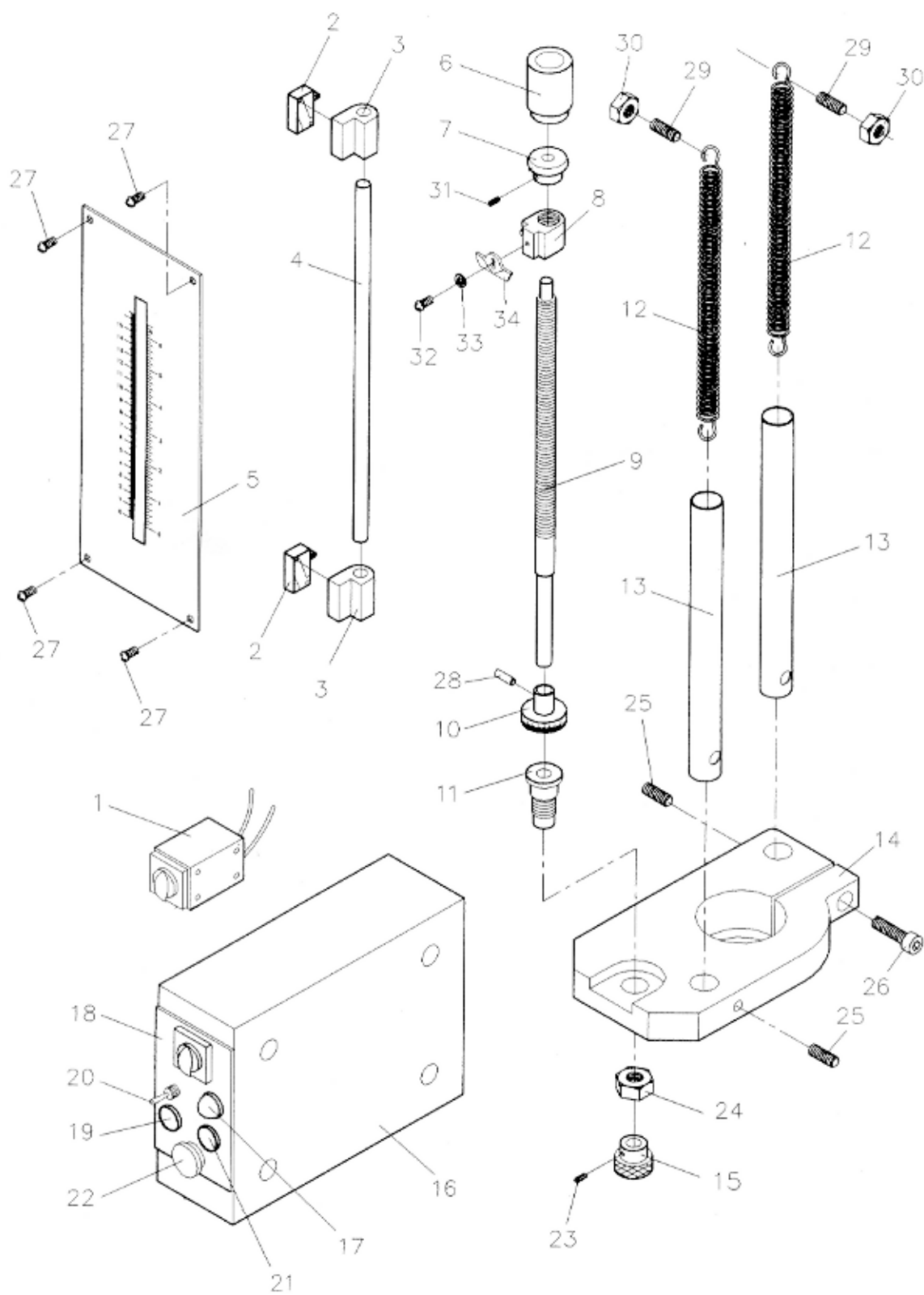
JDP-20VS-1/3 Column, Table, and Base Assembly



JDP-20VS-1/3 Column, Table, and Base Assembly

1	70-3008	Handle		1
2	70-1306	Lift Crank		1
3	BB-51102	Thrust Bearing		1
4	70-1302	Worm Shaft		1
5	71-1301	Gear Box		1
6	70-1305	Worm Gear Shaft		1
7	71-1302	Gear		1
8	70-1303	Worm Gear		1
9	71-3003	Gear Rack		1
10	71-3005	Column		1
11	70-1008	Collar		1
12	71-2001	Table		1
13	71-2005	Lock Handle		1
14	71-2004	Table Lock Nut		1
15	71-2003	Table Lock Screw		1
16	71-2002	Table Lock		1
17	70-2005	Bearing Ring		1
18	70-2004	Collar		1
19	70-2006	Bushing		6
20	71-3001	Base		1
21	TS-0272021	Set Screw	7/16 x 7/16	6
22	SB-3/8	Steel Ball		39
23	TS-0561021	Hex Nut	5/16	2
24	TS-0270091	Set Screw	5/16 x 1	2
25	JDP20VS-25	Pin	4 x 40	1
26	TS-0561031	Hex Nut	3/8	1
27	TS-0680041	Washer	3/8	1
28	JDP20VS-28	Clip	R15	2
29	TS-0267021	Set Screw	1/4 x 1/4	2
30	JDP20VS-30A	Key	5 x 5 x 40	1
31	TS-0208081	Hex Socket Cap Screw	5/16 x 1-1/2	4
32	JDP20VS-32B	Pin	6 x 30	1
33	TS-0208021	Hex Socket Cap Screw	5/16 x 1/2	1
34	TS-0680031	Washer	5/16	1

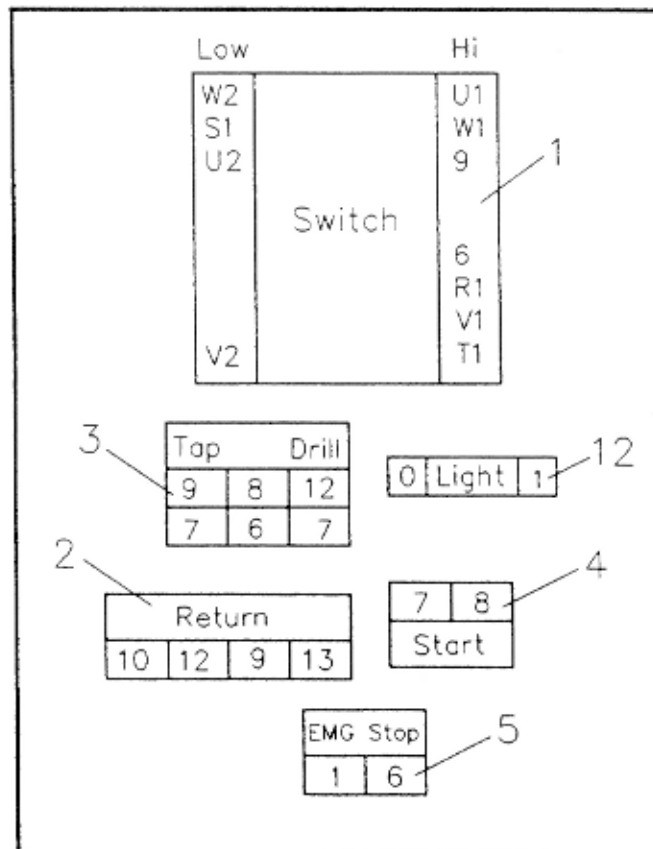
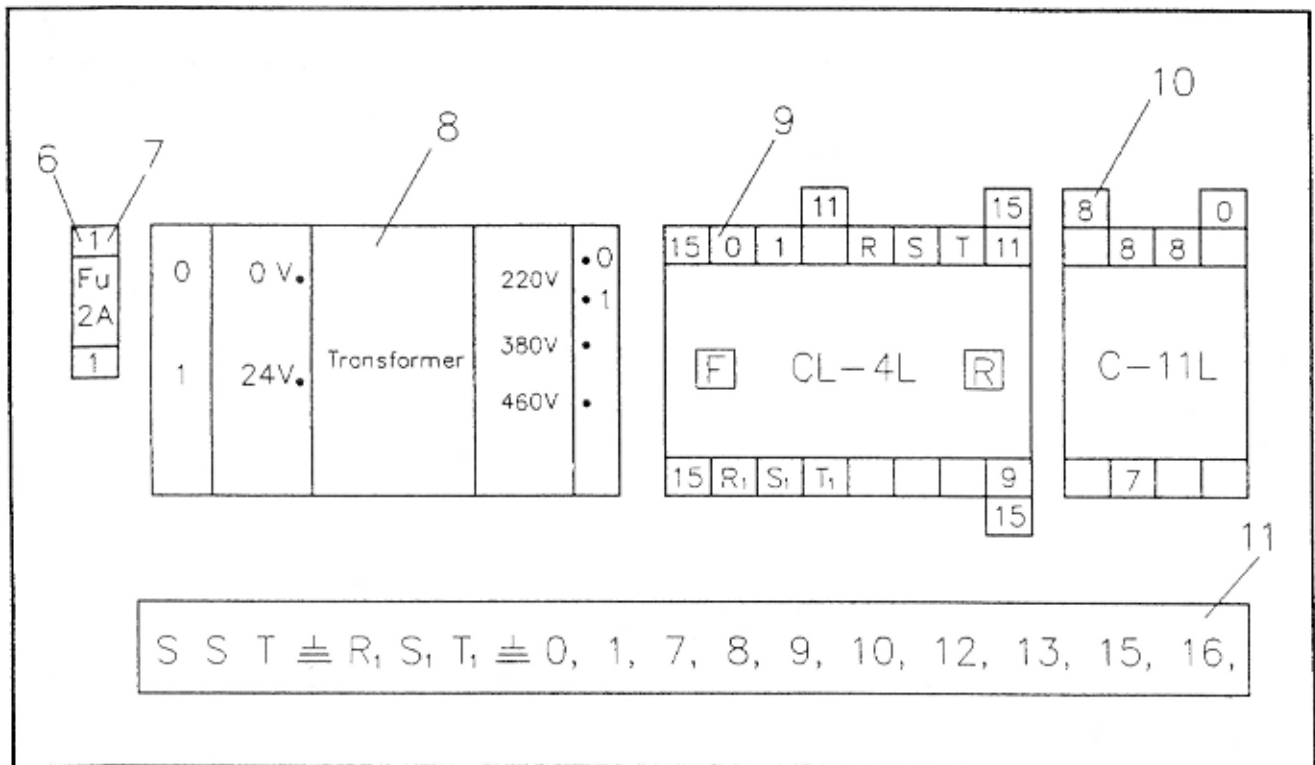
JDP-20VS-1/3 Depth Stop and Control Box Assembly



JDP-20VS Depth Stop and Control Box Assembly

1	71-1601	On-Off Switch (JDP-120VS-1 only)	1
2	70-17630	Limit Block	2
3	71-1704	Limit Support	2
4	71-1703	Limit Guide	1
5	70-1611B	Scale	1
6	70-1612B	Stroke Stop Bracket	1
7	71-1706	Tapping Control Nut	1
8	50-1610	Depth Indicator	1
9	70-1606B	Screw	1
10	50-1606	Micro-Dial	1
11	50-1615	Screw Support	1
12	70-1404B	Spring	2
13	70-1410B	Spring Protector	2
14	71-1609B	Bracket	1
15	50-1607	Knob	1
16	71-1701	Control Box (JDP-20VS-3 only)	1
	JDP-20VS-3CB	Control Box Complete (JDP-20VS-3 only)	1
17	E-001	Power Indicator Light (JDP-20VS-3 only)	1
18	E-101	High-Low Switch (JDP-20VS-3 only)	1
19	E-102	Start Button (JDP-20VS-3 only)	1
20	E-103	Drill-Tap Switch	1
21	E-104	Return Switch	1
22	E-106	Emergency Stop Switch	1
23	JDP20VS-23	Pin	3 x 20
24	TS-0561072	Hex Nut	5/8-18UNF
25	TS-0270101	Set Screw	5/16 x 1-1/4
26	TS-0208071	Hex Socket Cap Screw	5/16 x 1-1/4
27	JDP20VS-27	Screw	3/16 x 1/2
28	JDP20VS-28A	Pin	3 x 12
29	TS-0270111	Set Screw	5/16 x 1-1/2
30	TS-0561021	Hex Nut	5/16
31	TS-0267021	Set Screw	1/4"x1/4"
32	JDP-20VS-32	Round Head Screw	M3x0.5
33	TS-0680011	Washer	1/4"
34	JDP-20VS-34	Limite Plate	1

Electrical Panel Components (JDP-20VS-3)



Electrical Panel Components (JDP-20VS-3 only)

1	E-101	High-Low Switch	1
2	E-102	Start Button	1
3	E-103	Drill-Tap Switch	1
4	E-104	Return Switch	1
5	E-106	Emergency Stop Switch	1
6	E-013	Fuse(2AMP)	1
7	E-014	Fuse Seat	1
8	E-111	Transformer	1
9	E-016	Magnetic Starter (CL-4L)	1
10	E-015	Magnetic Starter (C-11L)	1
11	E-110	Terminal Relay	1
12	E-001	Light(24v)	1

