



SERVICE PARTS LIST

BUL. 54-46-0252

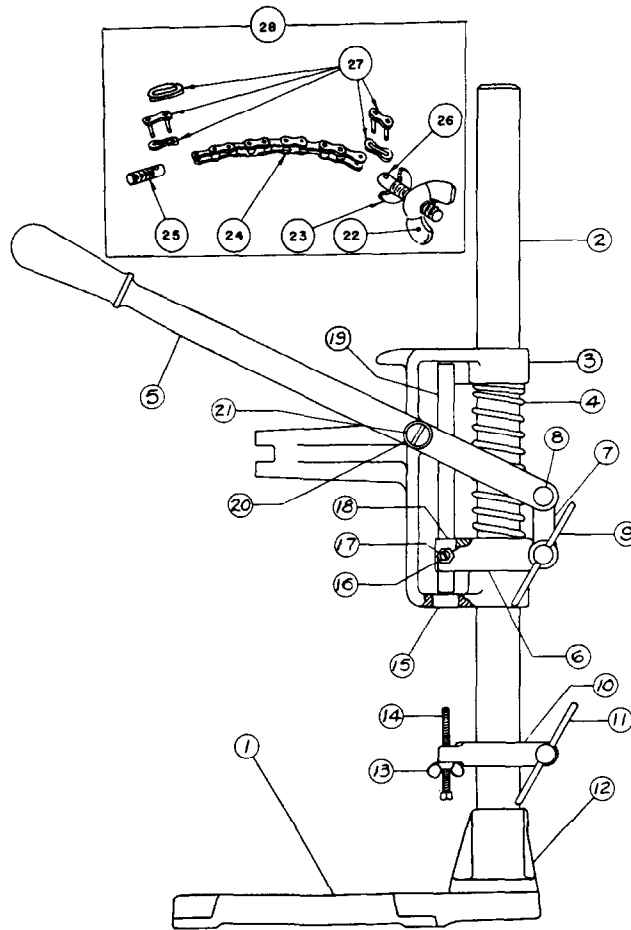
DRILL STAND

REVISED BUL. 657-3 DATE Feb. '68
WIRING INSTR.

Catalog No. 3540

Starting Serial No.

Both Model and Serial No. must be furnished to obtain correct parts.



ILLUSTRATED PARTS

FIG.	PART NO.	DESCRIPTION OF PART	FIG.	PART NO.	DESCRIPTION OF PART
1	30-07-5121	Base	15	42-40-0150	Guide Bar Lock Bushing
2	44-74-0050	Post	16	06-81-7850	1/4"-20x1" Fil.Hd. Runner Adj. Screw
3	30-24-0481	Cradle	*17	06-55-1500	1/4-20 Lock Nut
4	40-50-2900	Coil Spring	18	44-98-0050	Guide Bar Runner
5	30-44-0101	Handle	19	42-18-0060	Guide Bar
6	30-20-0101	Bar Clamp	*20	45-88-5261	Handle Swivel Screw Washer Sc. Washer
7	30-59-0201	Handle Link	21	06-75-0600	3/8-16x1-3/4 Handle Swivel Screw
* 8	06-65-2800	7/16x1-1/4 Drivlok Pin	22	06-59-1000	3/8"-16 Thr'd Chain Adj. Bolt Wing Nut
9	45-04-0180	Bar Clamp T Screw Assembly	*23	45-88-5261	Chain Adj. Bolt Washer
10	30-86-0101	Bar Collar Stop	24	42-60-0070	Chain
11	45-04-0150	Bar Collar Stop T Screw Assembly	25	45-58-0080	Chain Fastening Stud
12	30-89-0201	Column Support	26	42-32-0080	Chain Adjusting Bolt
13	06-59-1500	5/16"-18 Thr'd Collar Stop Set Sc. Wing Nut	28	42-60-0075	Cradle Chain Assembly
14	06-83-4550	5/16"-18x3" Collar Adjusting Sc. (Sq.Hd.)			

MISCELLANEOUS PARTS NOT SHOWN

PART NO.	DESCRIPTION OF PART	PART NO.	DESCRIPTION OF PART	
*12-17-0900	Name Plate	06-77-0450	4x1/4" Name Plate Screws	(2)
42-40-0140	Swivel Screw Bushing	06-75-0550	3/8-16x1-3/8" Hex. Hd. Machine Bolts	(4)
06-83-2940	3/8-16x1/2" Hd'less Socket Hd. Set Screws	*49-96-0080	Socket Wrench	