

346XP, 353

Spare parts

Ersatzteile

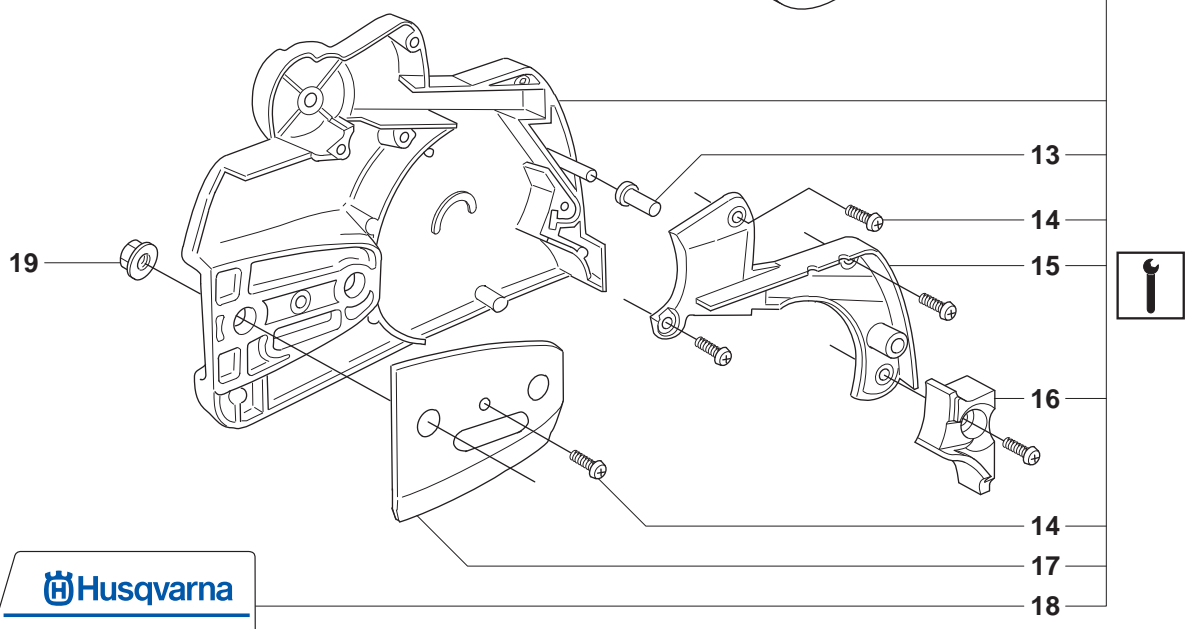
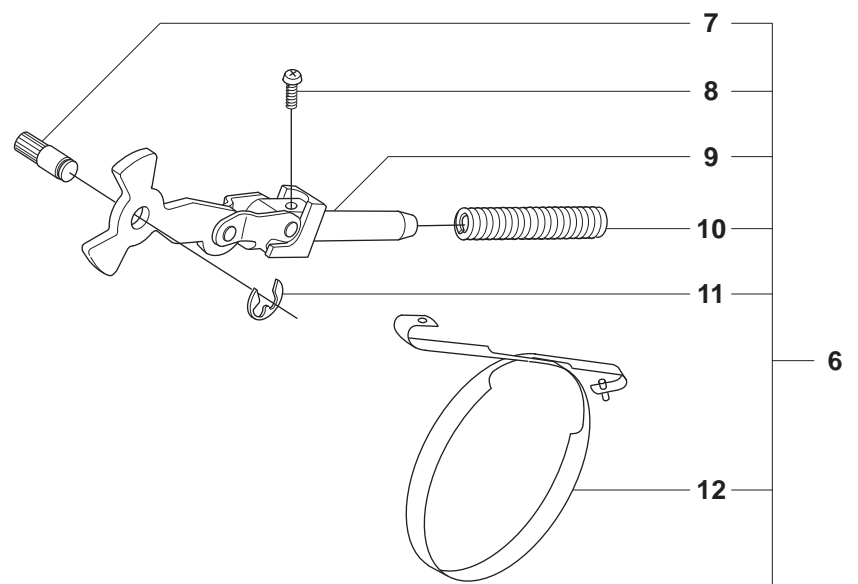
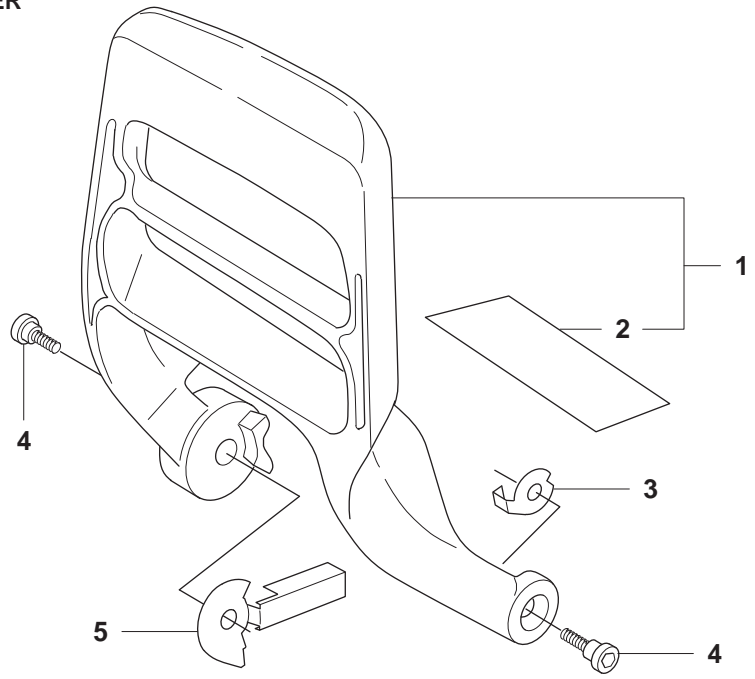
Pièces détachées

Reserve onderdelen

Repuestos

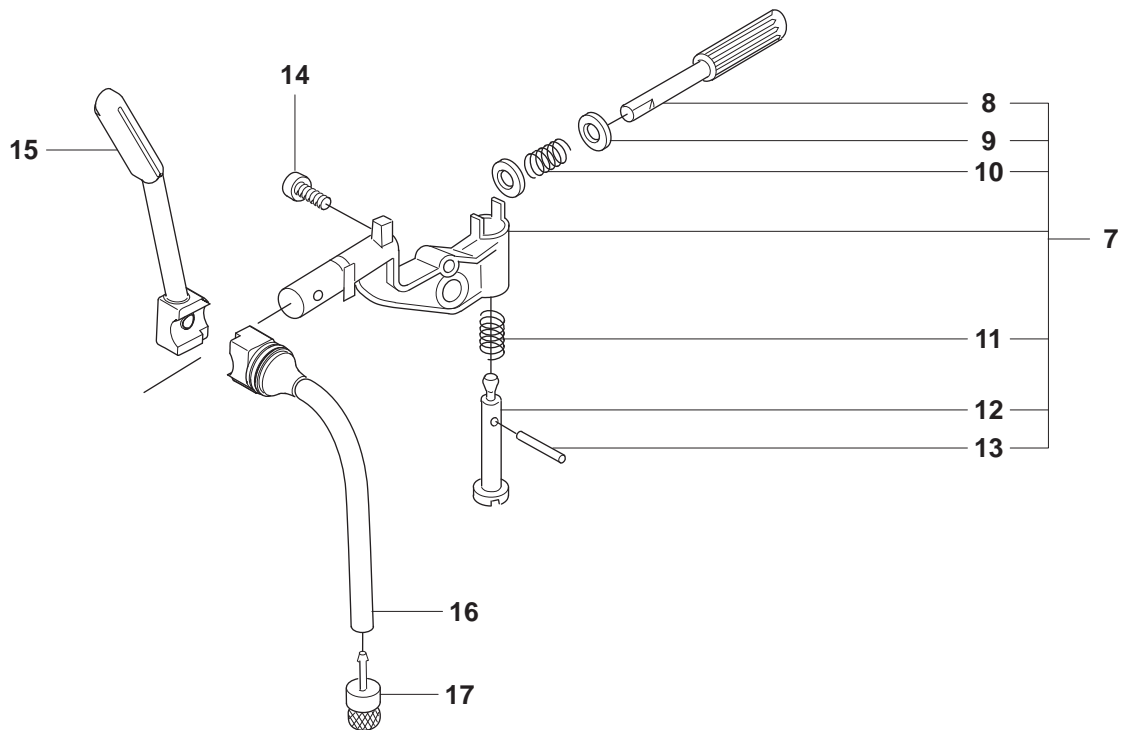
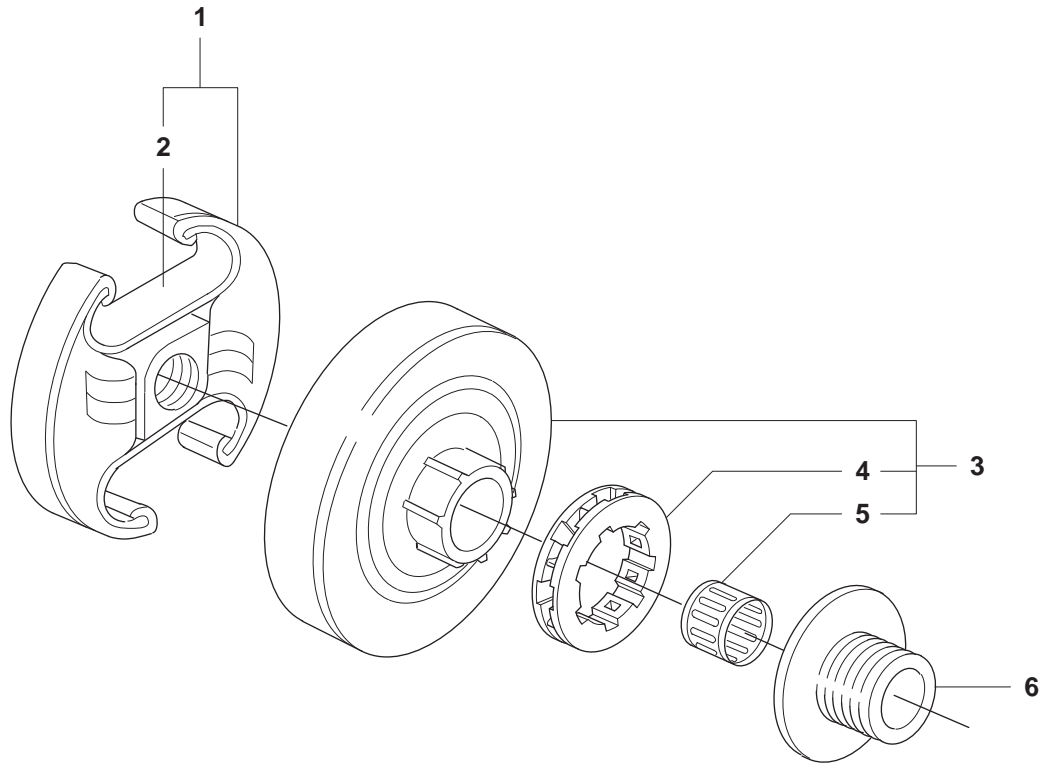
Reservdelar

A 346XP(New edition)/353
CHAIN BREAK & CLUTCH COVER



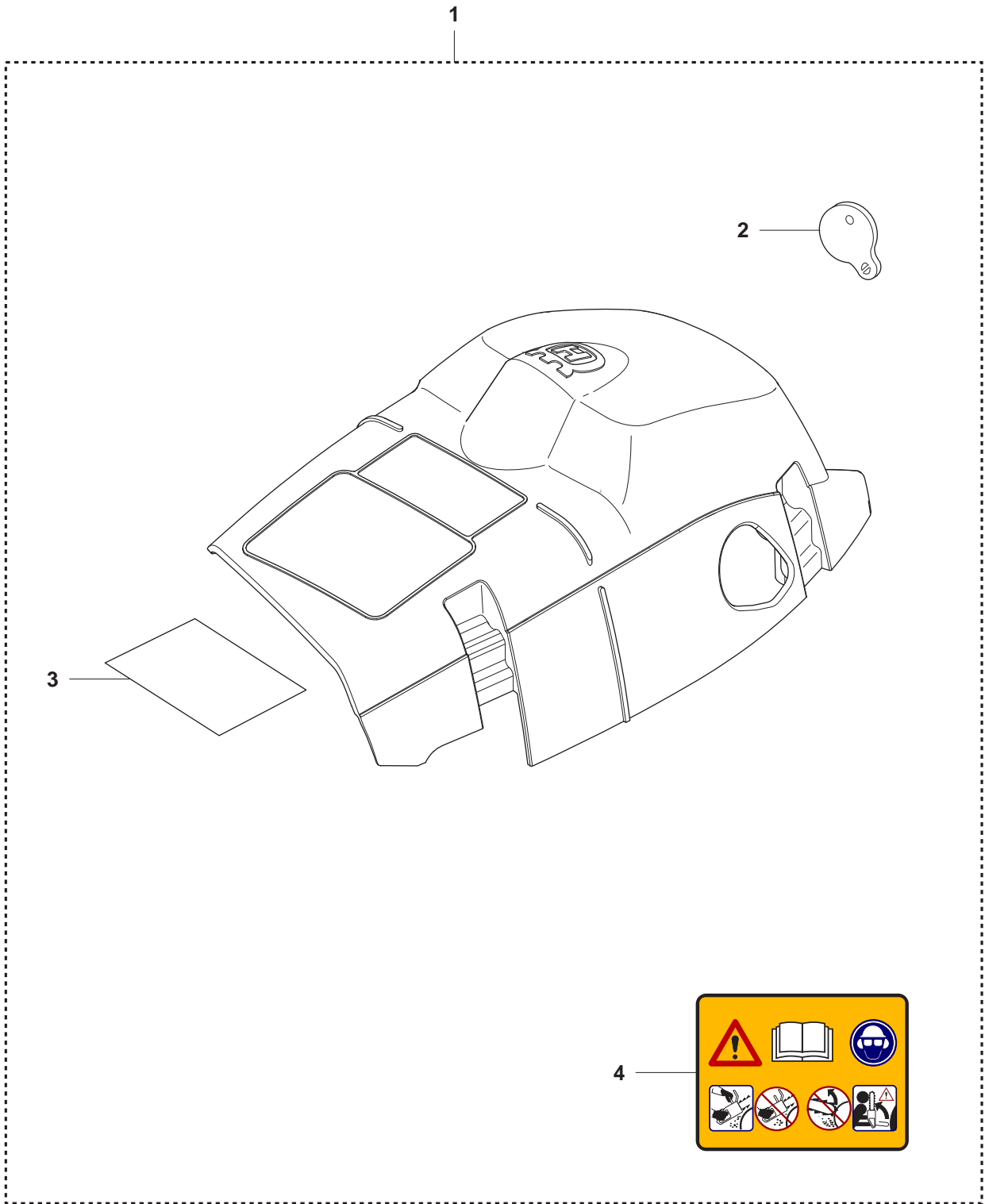
Position	Article	Quantity	Notes	Kit
1	537 15 28-01	1		
2	537 15 27-01	1		1
3	503 92 95-01	1		
4	503 89 30-03	2		
5	537 02 99-01	1		
6	537 10 78-03	1	orange, 353	
6	537 10 78-04	1	grey, 346XP	
7	503 89 29-01	1		6
8	503 21 70-10	1		6
9	503 89 08-02	1		6
10	503 46 59-01	1		6
11	735 31 08-20	1		6
12	537 04 30-01	1		6
13	503 85 52-01	1		6
14	503 21 70-72	5		6
15	537 10 80-02	1		6
16	537 08 90-01	1		6
17	503 85 66-01	1		6
18	537 37 04-01	1		6
19	503 22 00-01	2		

B 346XP(New edition)/353
CLUTCH & OIL PUMP



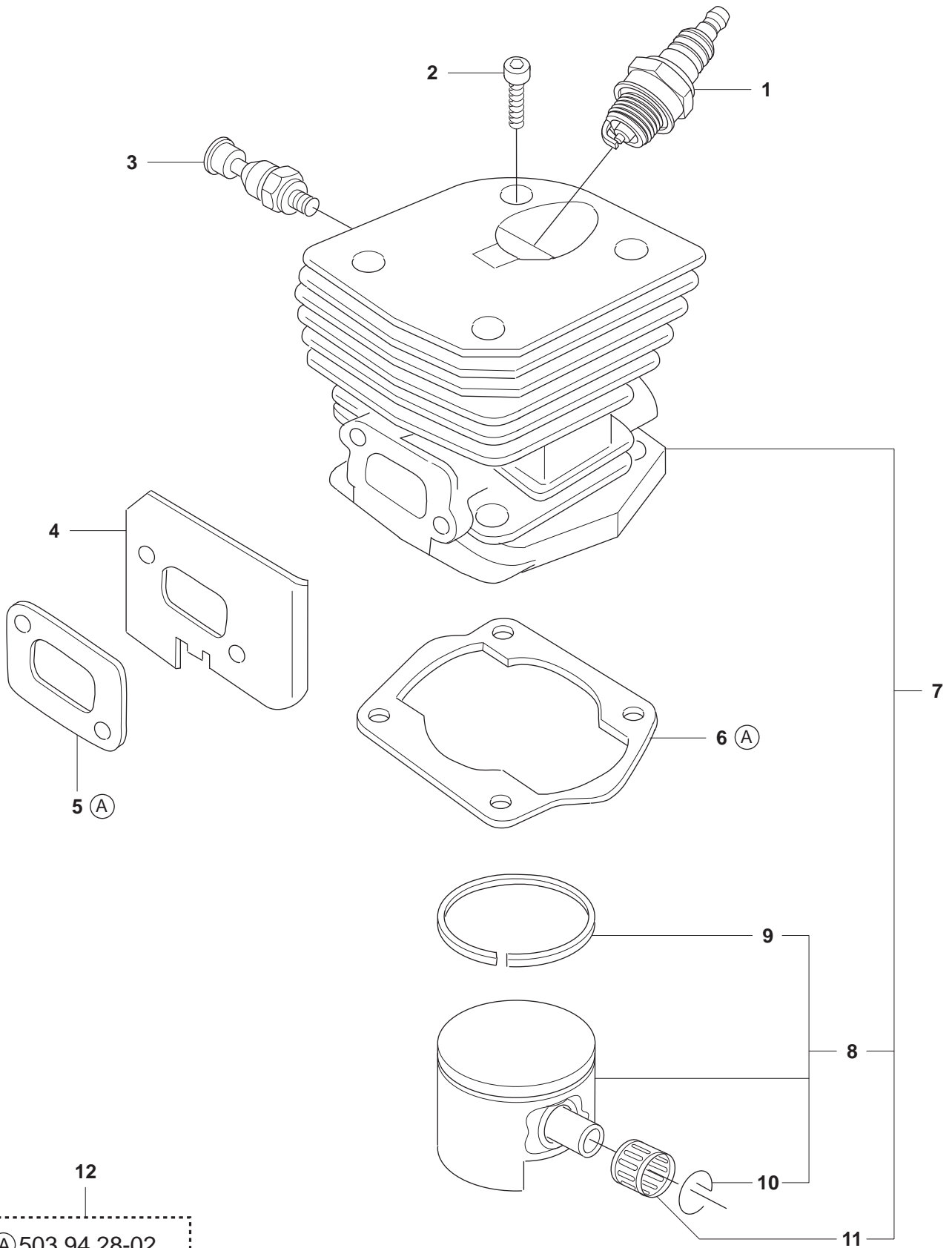
Position	Article	Quantity	Notes	Kit
1	537 11 05-03	1		
2	537 35 91-01	2		1
3	503 98 00-71	1		
4	501 45 74-02	1		3
5	503 25 52-01	1		3
6	503 89 21-02	1		
7	544 18 01-03	1		
8	537 06 91-02	1		7
9	503 23 00-60	2		7
10	503 89 16-01	1		7
11	503 89 15-01	1		7
12	537 02 71-01	1		7
13	721 11 64-30	1		7
14	503 21 74-12	1		
15	537 41 32-01	1		
16	537 10 11-01	1		
17	504 71 00-03	1		

C 346XP(New edition)/353
CLUTCH COVER



Position	Article	Quantity	Notes	Kit
1	504 05 43-01	1		
2	501 63 97-01	1		1
3	503 84 59-01	1		1
4	503 98 74-01	1		1

D 346XP(New edition)/353
CYLINDER PISTON

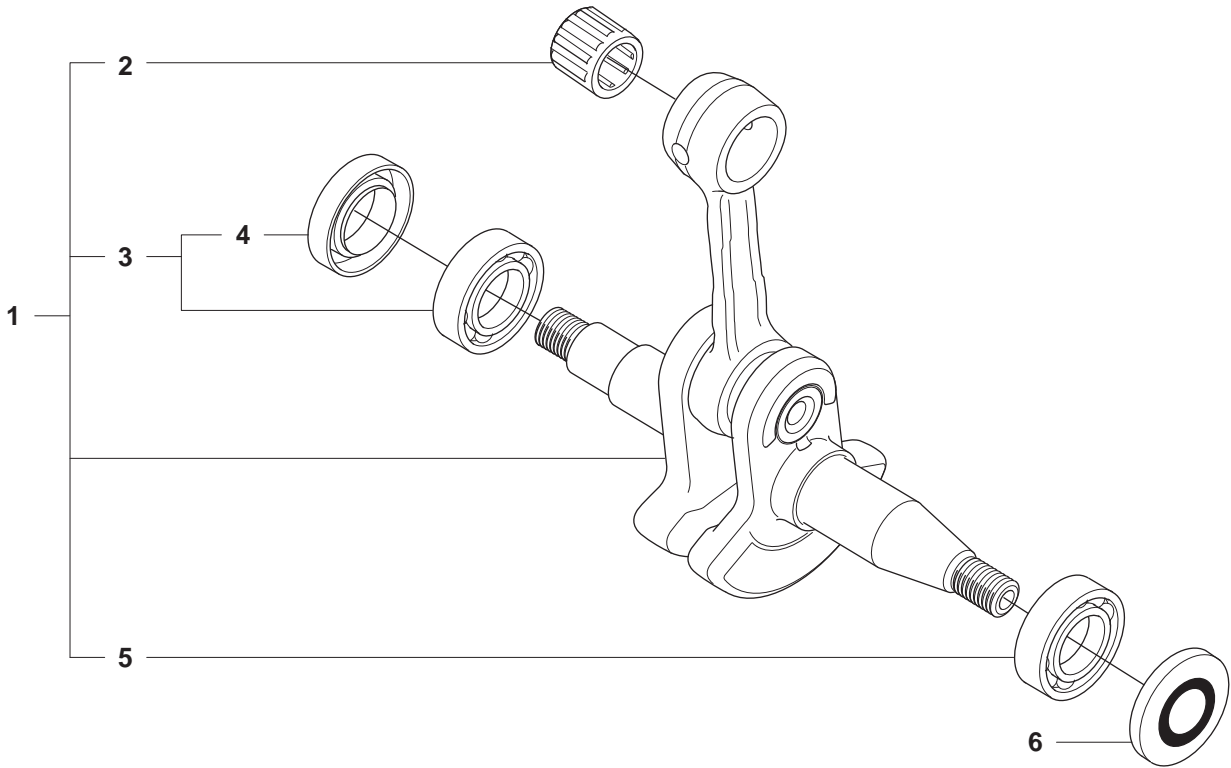


12

Ⓐ 503 94 28-02
Set of gaskets
Dichtungssatz
Jeu de joints
Juego de juntas
Packningssatz

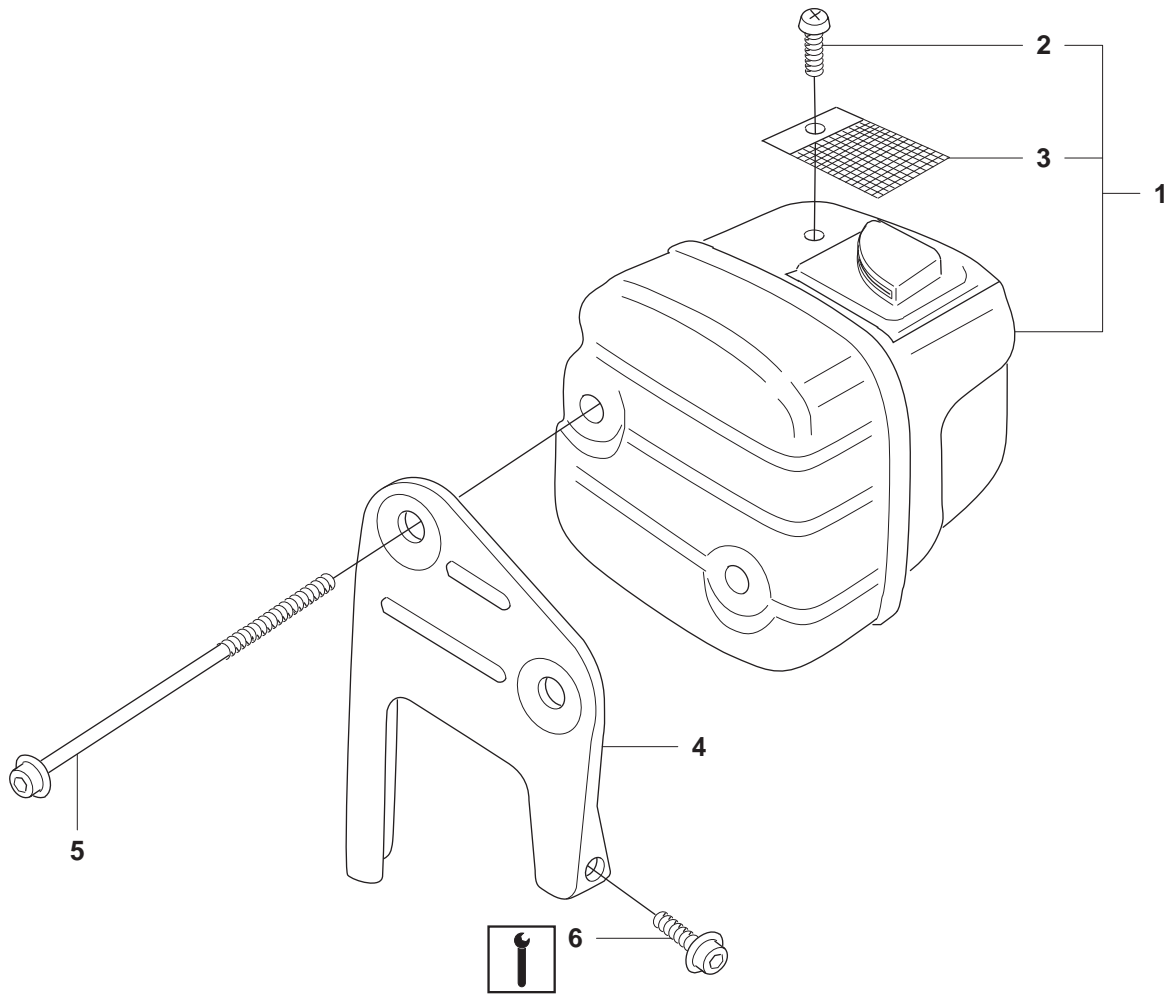
Position	Article	Quantity	Notes	Kit
1	503 23 51-08	1		
2	725 53 33-55	4		
3	503 66 54-01	1		
4	503 97 13-01	1		
5	503 86 25-01	1		12
6	503 89 44-01	1		12
7	537 25 31-04	1	353	
7	544 14 29-03	1	346XP 50 cc	
7	544 14 29-04	1	346XP decomp 50 cc	
7	503 86 98-72	1	346XP Japan 45 cc	
8	537 22 36-04	1	353	7
8	544 14 31-02	1	346XP 50 cc, 346XP decomp 50 cc	7
8	503 90 73-71	1	346XP Japan 45 cc	7
9	503 28 90-11	1	353	8
9	503 28 90-56	1	346XP 50 cc, 346XP decomp 50 cc	8
9	503 28 90-05	1	346XP Japan 45 cc	8
10	737 44 10-00	2		8
11	501 45 16-01	1		7
12	503 94 28-02	1	A = Set of gaskets	

E 346XP(New edition)/353
CRANKSHAFT



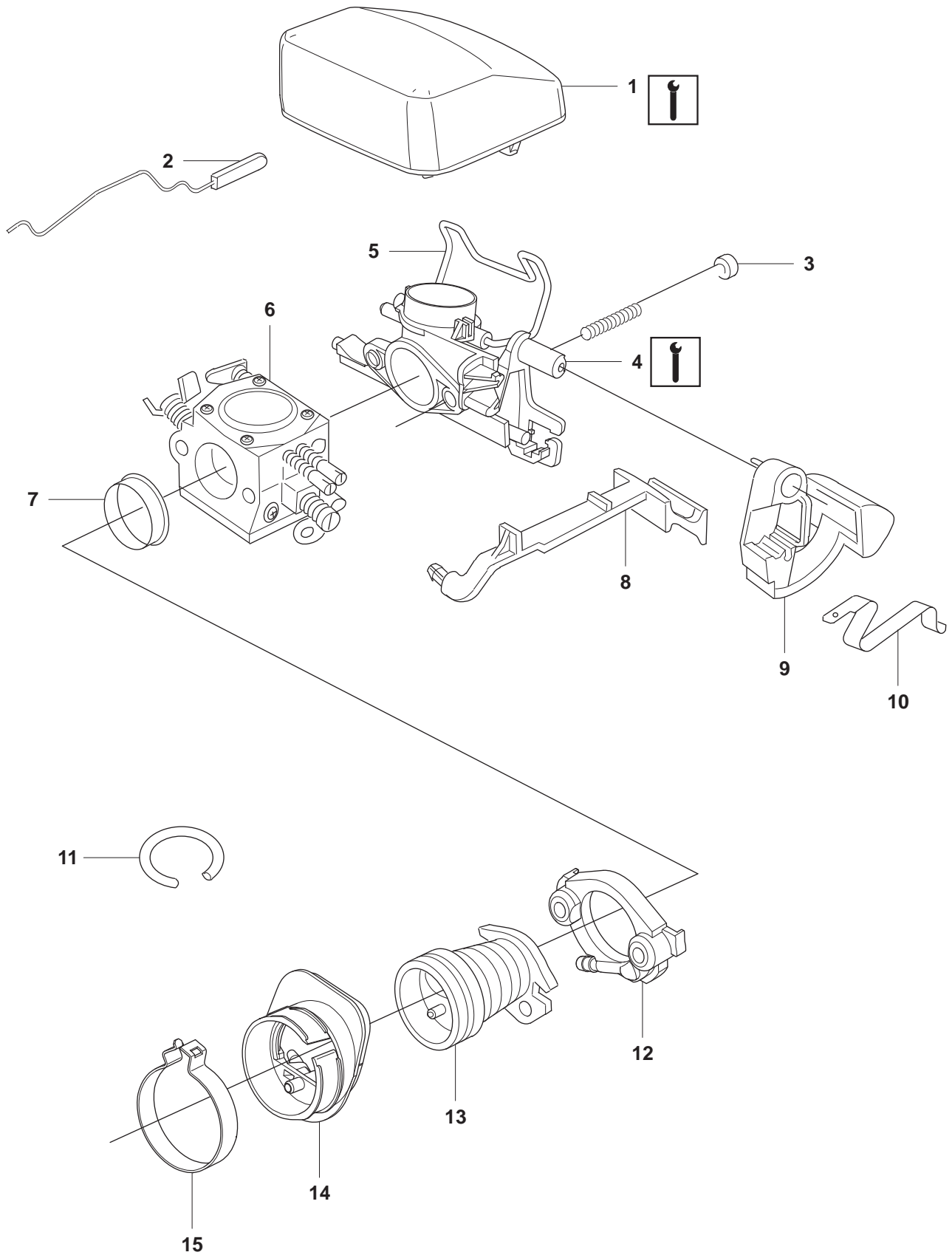
Position	Article	Quantity	Notes	Kit
1	504 20 68-01	1		
2	501 45 16-01	1		1
3	505 41 60-01	1		1
4	505 41 61-01	1		3
5	738 22 02-25	1		1
6	505 27 57-19	1		

F 346XP(New edition)/353
MUFFLER

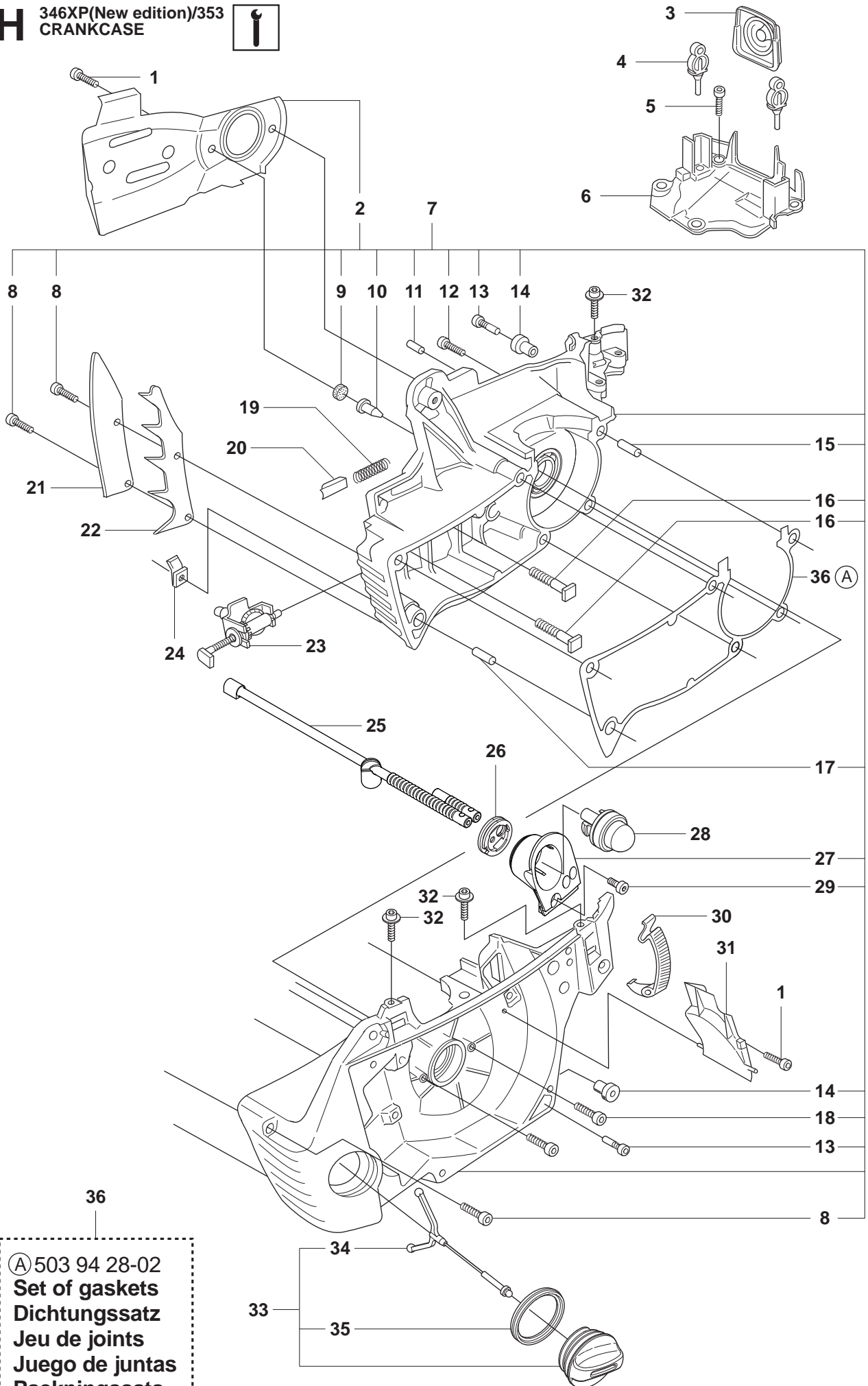


Position	Article	Quantity	Notes	Kit
1	544 02 83-01	1	DF	
1	537 07 54-02	1	E-tech	
2	724 12 87-59	1	DF	1
2	724 12 87-59	1	E-tech	1
3	503 86 36-01	1	DF	1
3	503 86 36-01	1	E-tech	1
4	544 80 98-01	1		
5	503 20 45-87	2		
6	503 20 07-76	1		

G 346XP(New edition)/353
CARBURETOR & AIR FILTER



Position	Article	Quantity	Notes	Kit
1	537 26 49-01	1	NYLON 80my Black	
1	537 26 49-02	1	NYLON 44my Yellow	
1	537 26 49-03	1	FELT White	
2	503 88 92-01	1		
3	503 21 74-50	2		
4	544 36 05-01	1		
5	537 39 31-02	1		
6	503 28 32-10	1	C3-EL32 B	
7	537 02 90-01	1		
8	503 86 96-01	1		
9	503 86 95-02	1		
10	503 86 97-02	1		
11	544 32 51-01	1		
12	544 45 29-01	1		
13	503 86 63-02	1		
14	537 42 28-01	1		
15	537 43 88-01	1		

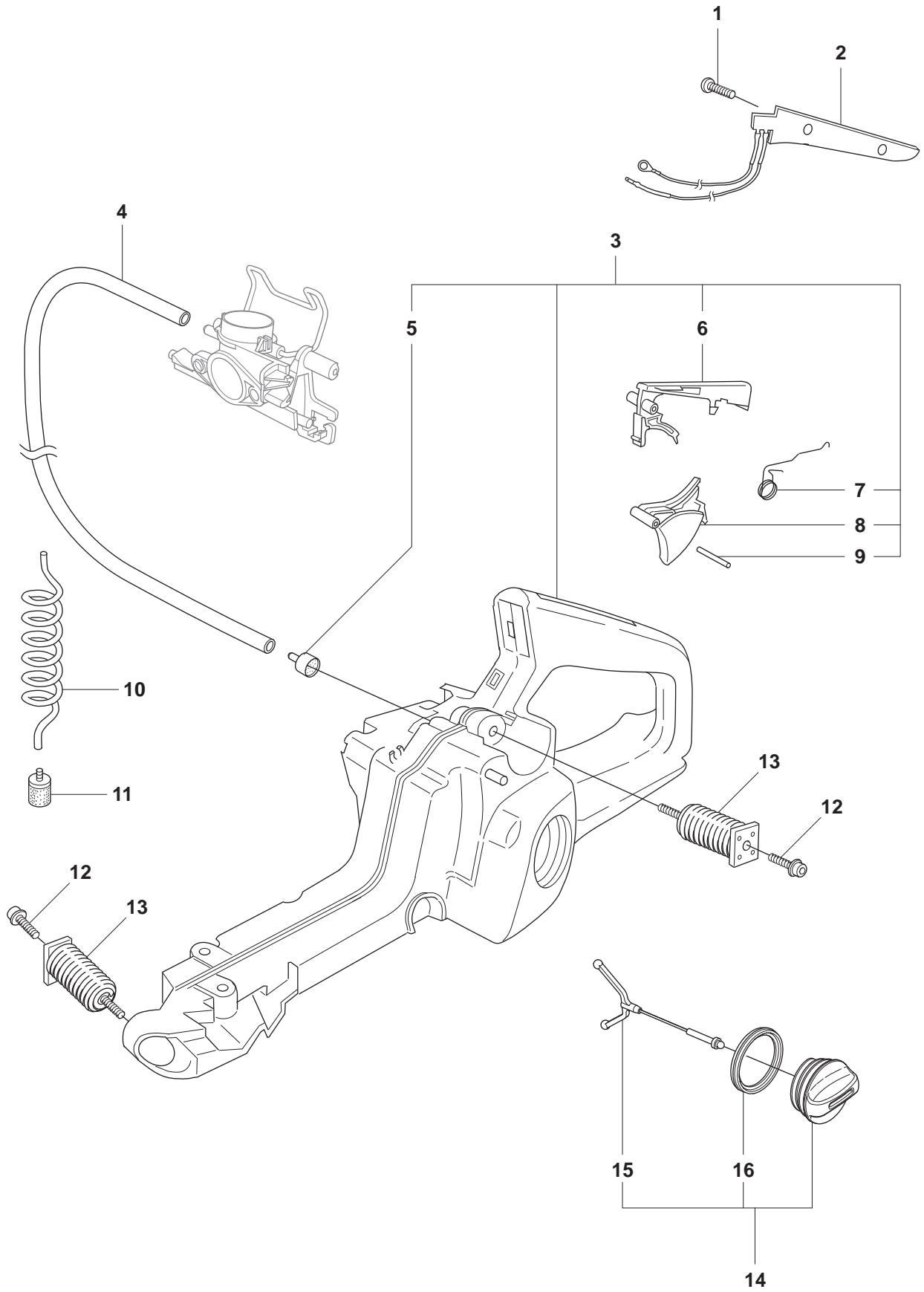
H**346XP(New edition)/353
CRANKCASE**

Ⓐ 503 94 28-02
Set of gaskets
Dichtungssatz
Jeu de joints
Juego de juntas
Packningssats

Position	Article	Quantity	Notes	Kit
1	503 21 74-12	3		
2	537 40 56-01	1		7
3	537 14 65-01	1		
4	503 86 93-01	2		
5	503 21 75-12	4		
6	544 36 07-01	1		
7	537 17 19-05	1		
8	503 20 07-76	3		7
9	537 40 35-01	1		7
10	530 02 61-19	1		7
11	721 12 07-30	1		7
12	503 20 08-70	6		7
13	503 21 51-01	2		7
14	503 86 92-01	2		7
15	503 90 56-01	1		7
16	503 87 54-01	2		7
17	503 90 56-01	1		7
18	503 20 25-16	2		7
19	503 43 65-01	1		
20	503 89 24-01	1		
21	503 93 04-01	1		
22	503 90 59-01	1		
23	537 07 12-01	1		23
24	503 88 63-01	1		
25	544 33 10-01	1		
26	504 01 09-01	1		
27	504 07 15-03	1		7
28	503 93 66-01	1		
29	544 44 97-01	1		7
30	503 89 47-01	3	orange, 353	
30	503 89 47-03	3	grey, 346XP	
31	503 88 86-01	1		
32	503 21 39-01	3		
33	537 28 15-02	1		
34	503 57 89-01	1		33
35	501 62 68-01	1		33
36	503 94 28-02	1	A = Set of gaskets	

J

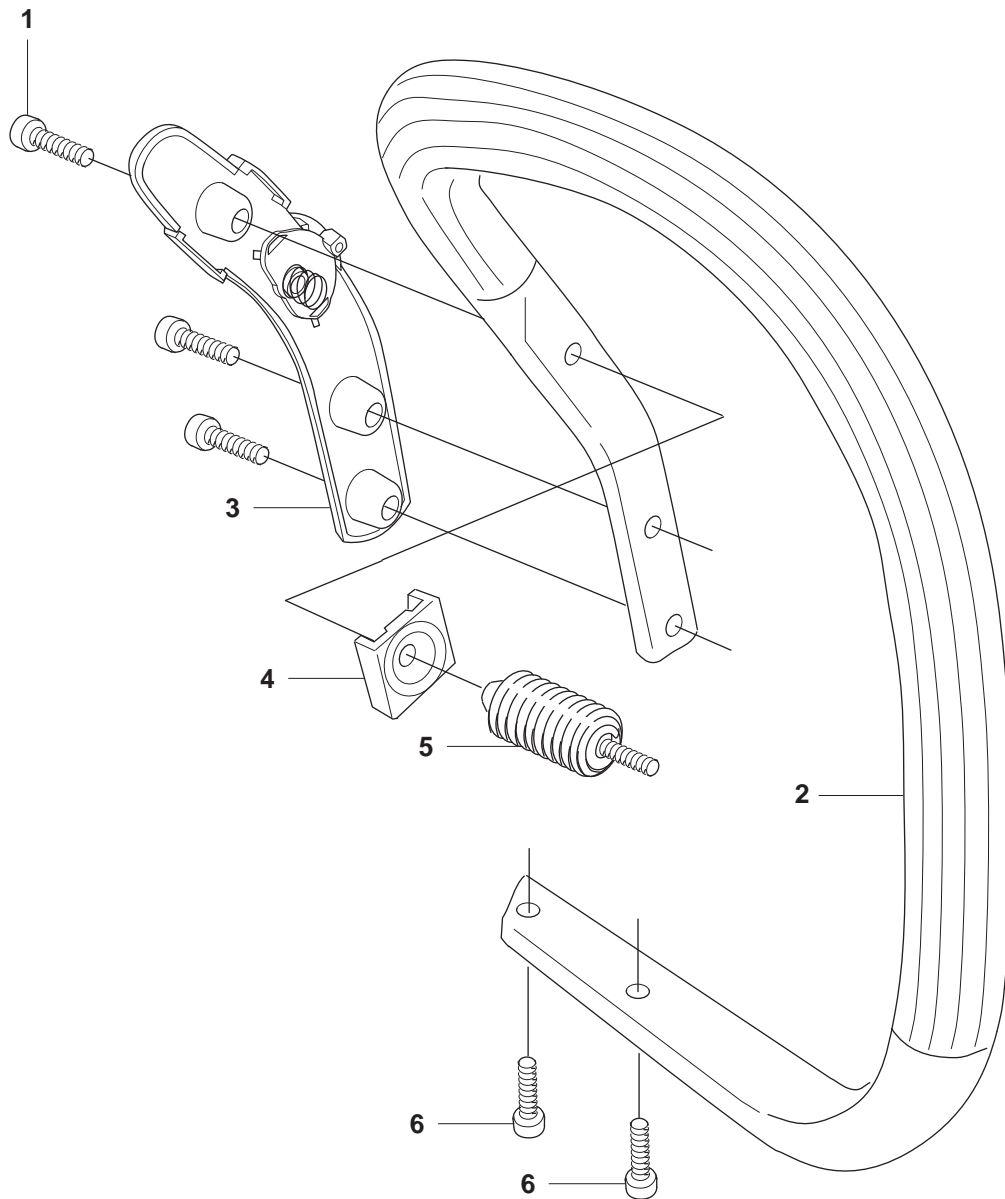
346XP(New edition)/353 HANDLE & CONTROLS



Position	Article	Quantity	Notes	Kit
1	503 21 38-01	2	XPG	
2	503 92 61-02	1	XPG	
3	503 86 37-03	1		
4	544 32 49-20	1		
5	537 35 95-01	1		3
6	503 85 44-01	1		3
7	503 99 86-01	1		3
8	503 85 45-01	1		3
9	720 18 25-20	1		3
10	544 32 50-02	1		
11	503 44 32-01	1		
12	503 21 88-76	2		
13	503 85 41-01	2		
14	537 21 52-02	1	Std	
14	537 21 52-03	1	E-tech	
15	503 57 89-01	1		14
16	537 21 50-01	1		14



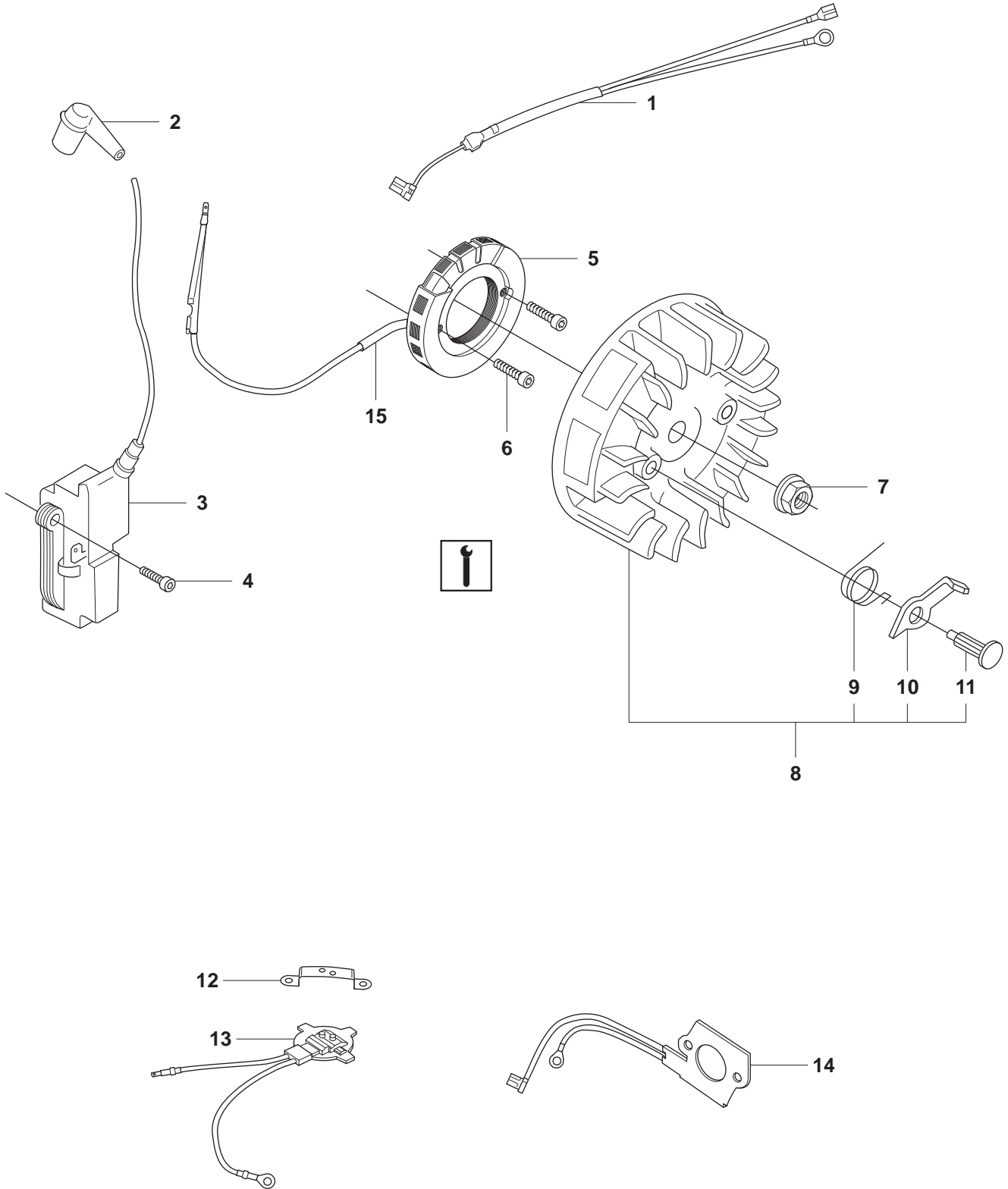
346XP(New edition)/353
HANDLE



Position	Article	Quantity	Notes	Kit
1	503 21 88-76	3		
2	537 30 17-01	1		
2	537 30 17-02	1	XPG	
3	537 32 68-01	1	XPG	
4	503 92 24-01	1		
5	503 89 83-01	1		
6	503 21 88-72	2		

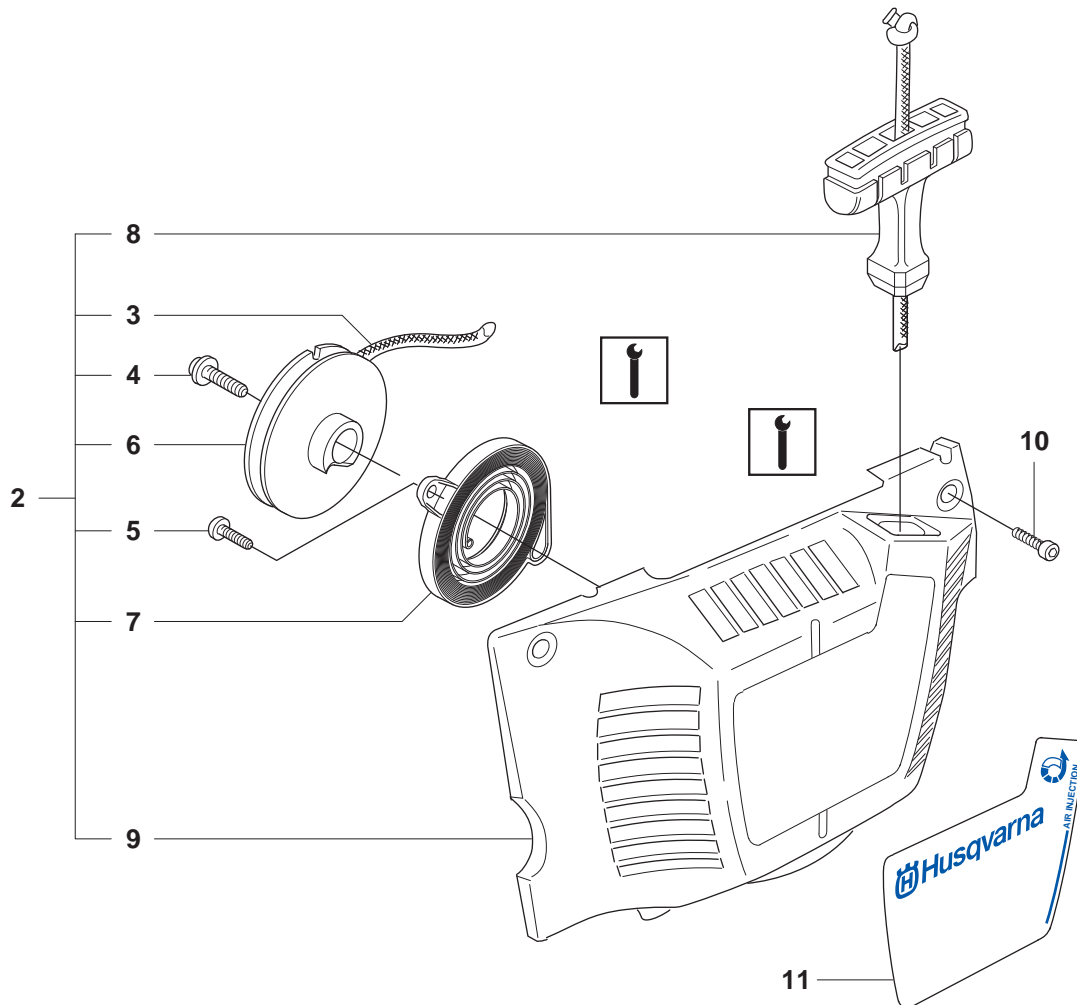
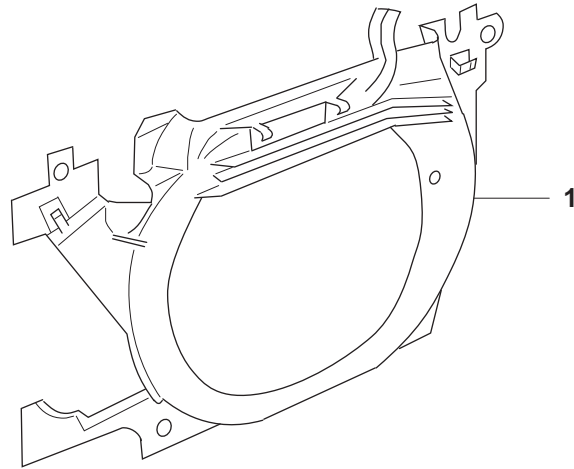


346XP(New edition)/353
ELECTRICAL

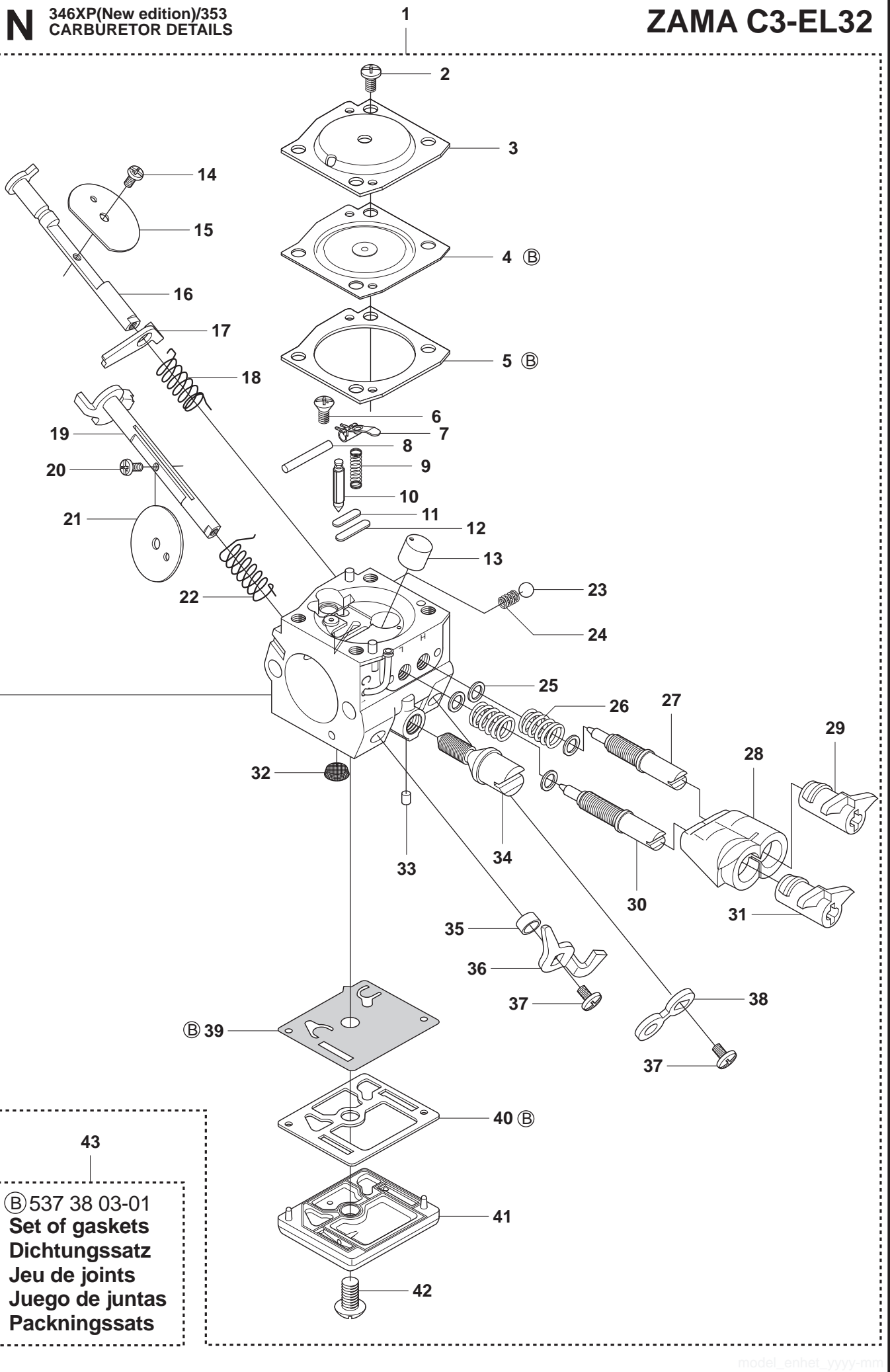


Position	Article	Quantity	Notes	Kit
1	503 89 87-06	1	XPG/G, Heated carb	
1	503 89 87-04	1	XPG/G	
2	501 48 54-02	1	compl	2
3	510 04 70-01	1	353/346XP Japan	
3	510 11 55-01	1	346XP New Edition	
4	503 21 55-25	2		
5	537 33 02-01	1	XPG/G	
5	502 60 96-01	1	XPG/G, Heated carb	
6	503 20 25-16	2		
7	503 22 04-01	1		
8	503 82 43-01	1		
8	503 82 43-02	1	XPG/G	
8	503 82 43-03	1	XPG/G, Heated carb	
9	503 78 32-01	2		8
9	503 78 32-01	2	XPG/G	8
9	503 78 32-01	2	XPG/G, Heated carb	8
10	503 89 50-01	2		8
10	503 89 50-01	2	XPG/G	8
10	503 89 50-01	2	XPG/G, Heated carb	8
11	503 79 05-02	2		8
11	503 79 05-02	2	XPG/G	8
11	503 79 05-02	2	XPG/G, Heated carb	8
12	537 06 04-02	1	XPG/G, Heated carb	
13	501 98 63-01	1	XPG/G, Heated carb	
14	504 04 32-01	1	XPG/G, Heated carb	
15	504 04 35-01	1	XPG/G, Heated carb	

M1 346XP/353
STARTER



Position	Article	Quantity	Notes	Kit
1	503 89 06-01	1		
2	537 10 47-02	1		
3	505 30 51-25	1		2
4	503 21 77-16	1		2
5	503 21 29-10	2		2
6	537 09 25-01	1		2
7	537 09 31-01	1		2
8	503 54 39-01	1		2
9	537 10 27-02	1		2
10	544 08 03-01	4		
11	537 37 05-10	1	353	
11	537 37 05-12	1	353G	
11	537 37 05-13	1	353G Heated carb	
11	537 37 05-11	1	353 E-tech	
11	537 37 05-14	1	353G E-tech	
11	537 37 05-15	1	353G Heated carb E-tech	
11	537 37 05-04	1	346XP (old)	
11	537 37 05-06	1	346XPG (old)	

N346XP(New edition)/353
CARBURETOR DETAILS**ZAMA C3-EL32**

43
 ⓑ 537 38 03-01
Set of gaskets
Dichtungssatz
Jeu de joints
Juego de juntas
Packningssats

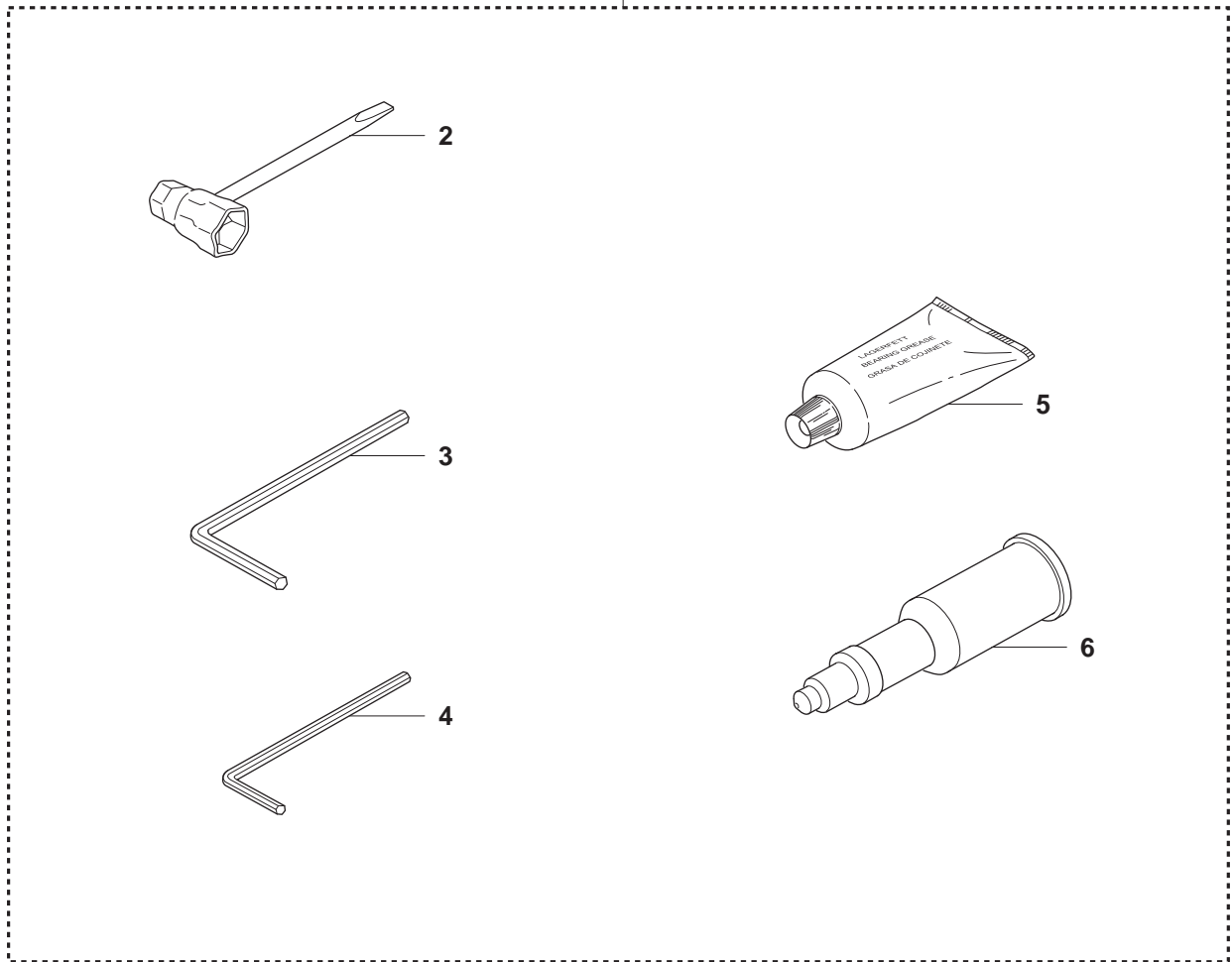
Page N 346XP, 353		CARBURETOR DETAILS		
Position	Article	Quantity	Notes	Kit
1	503 28 32-10	1		
2	503 48 05-01	4		1
3	537 17 60-01	1		1
4	537 17 59-01	1		1, 43
5	503 88 44-01	1		1, 43
6	503 48 01-01	1		1
7	537 17 64-01	1		1
8	503 48 00-01	1		1
9	537 17 63-01	1		1
10	537 17 62-01	1		1
11	537 17 78-01	1		1
12	503 53 56-01	1		1
13	537 41 61-01	1		1
14	503 52 36-01	1		1
15	544 05 66-01	1		1
16	537 26 67-01	1		1
17	544 05 67-01	1		1
18	537 17 66-01	1		1
19	537 26 63-01	1		1
20	503 48 18-01	1		1
21	537 26 66-01	1		1
22	537 17 61-01	1		1
23	537 01 25-01	1		1
24	537 01 26-01	2		1
25	503 90 31-01	4		1
26	503 48 08-01	2		1
27	537 17 85-01	1		1
28	503 90 34-01	1		1
29	503 90 33-01	1		1
30	537 26 70-01	1		1
31	503 90 32-01	1		1
32	503 53 57-01	1		1
33	503 48 11-01	1		1
34	537 17 76-01	1		1
35	503 48 19-01	1		1
36	537 17 69-01	1		1
37	503 47 90-01	2		1
38	537 17 75-01	1		1
39	537 38 02-01	1		1, 43
40	503 61 66-01	1		1, 43
41	537 17 68-01	1		1
42	503 47 96-01	1		1
43	537 38 03-01	1	B = Set of gaskets	

P

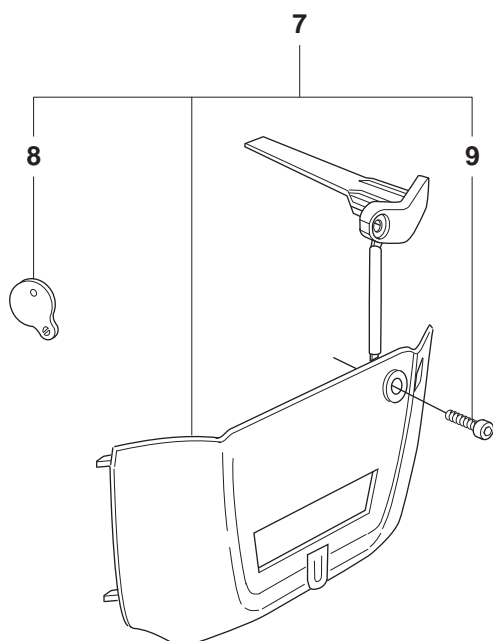
346XP(New edition)/353

Tillbehör
Accessories
Zubehöre
Accessoires
Accesorios

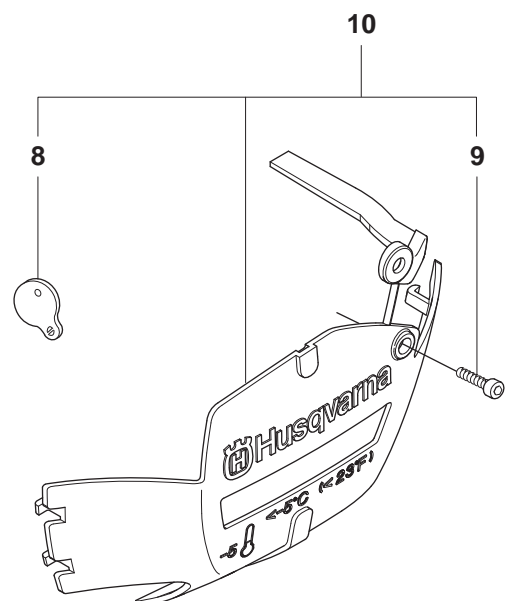
1



WINTER KIT 353



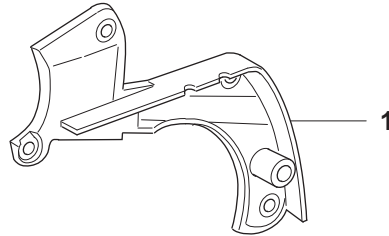
WINTER KIT 346XP(New edition)



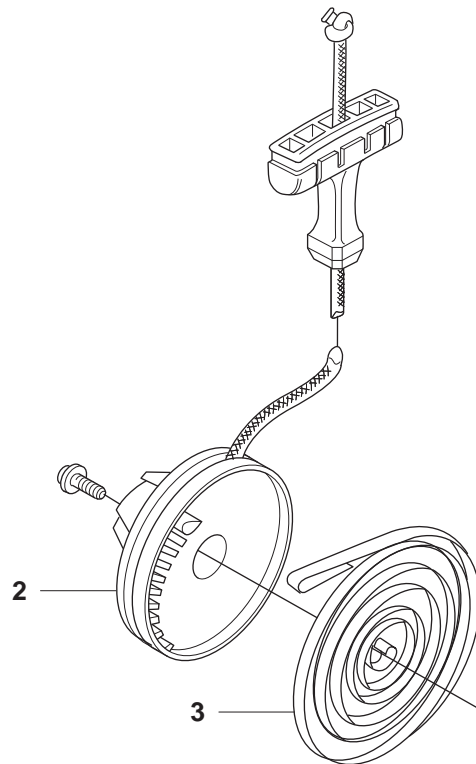
Page P 346XP, 353		ACCESSORIES		
Position	Article	Quantity	Notes	Kit
1	503 55 85-01	1		
2	501 69 17-01	1		1
3	503 55 86-02	1		1
4	503 55 86-01	1		1
5	503 62 12-01	1		1
6	501 91 14-01	1		1
7	537 04 28-02	1	Winter kit 353	
8	501 63 97-01	1		7
8	501 63 97-01	1		10
9	503 21 70-16	1		7
9	503 21 70-16	1		10
10	501 97 48-01	1	Winter kit 346XP	



Up to 004100041 (346XP)



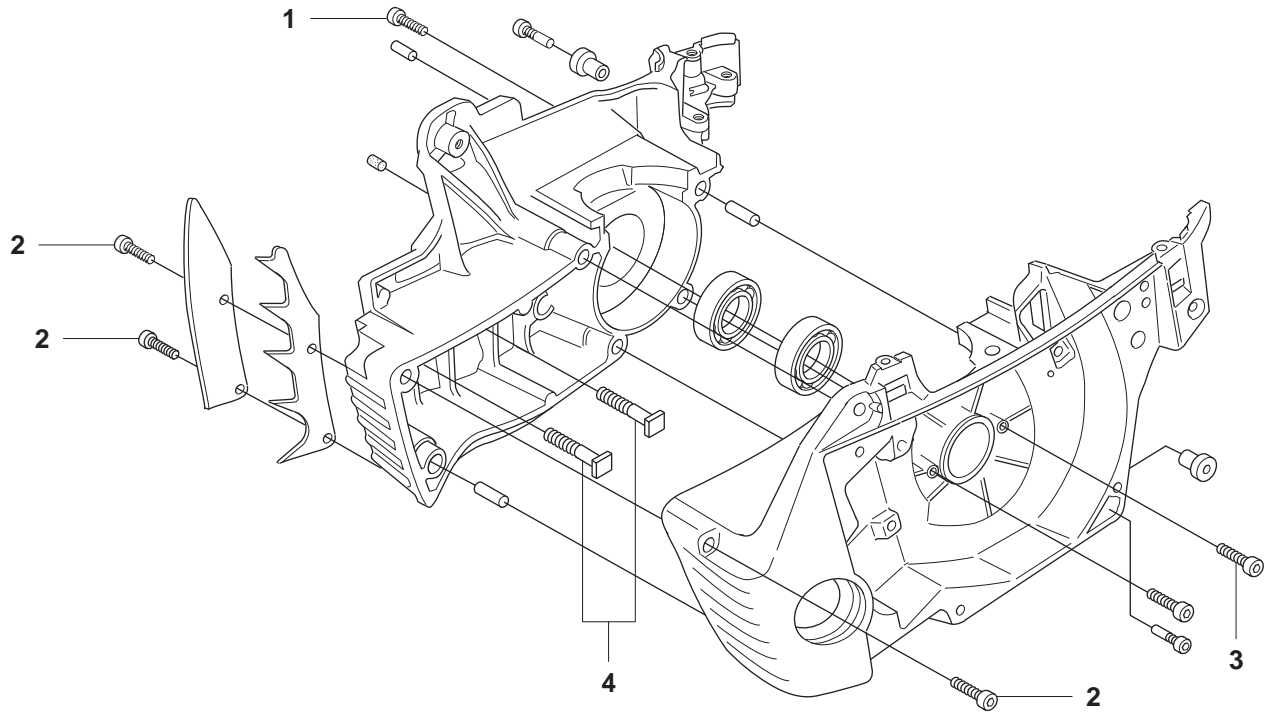
Up to 010700001 (346XP)



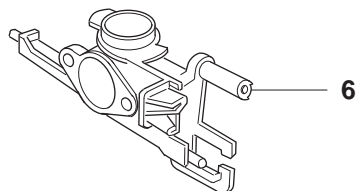
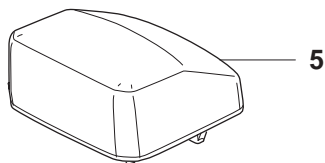
Position	Article	Quantity	Notes	Kit
1	503 89 07-02	1		
2	503 87 63-01	1		
3	503 85 99-01	1		



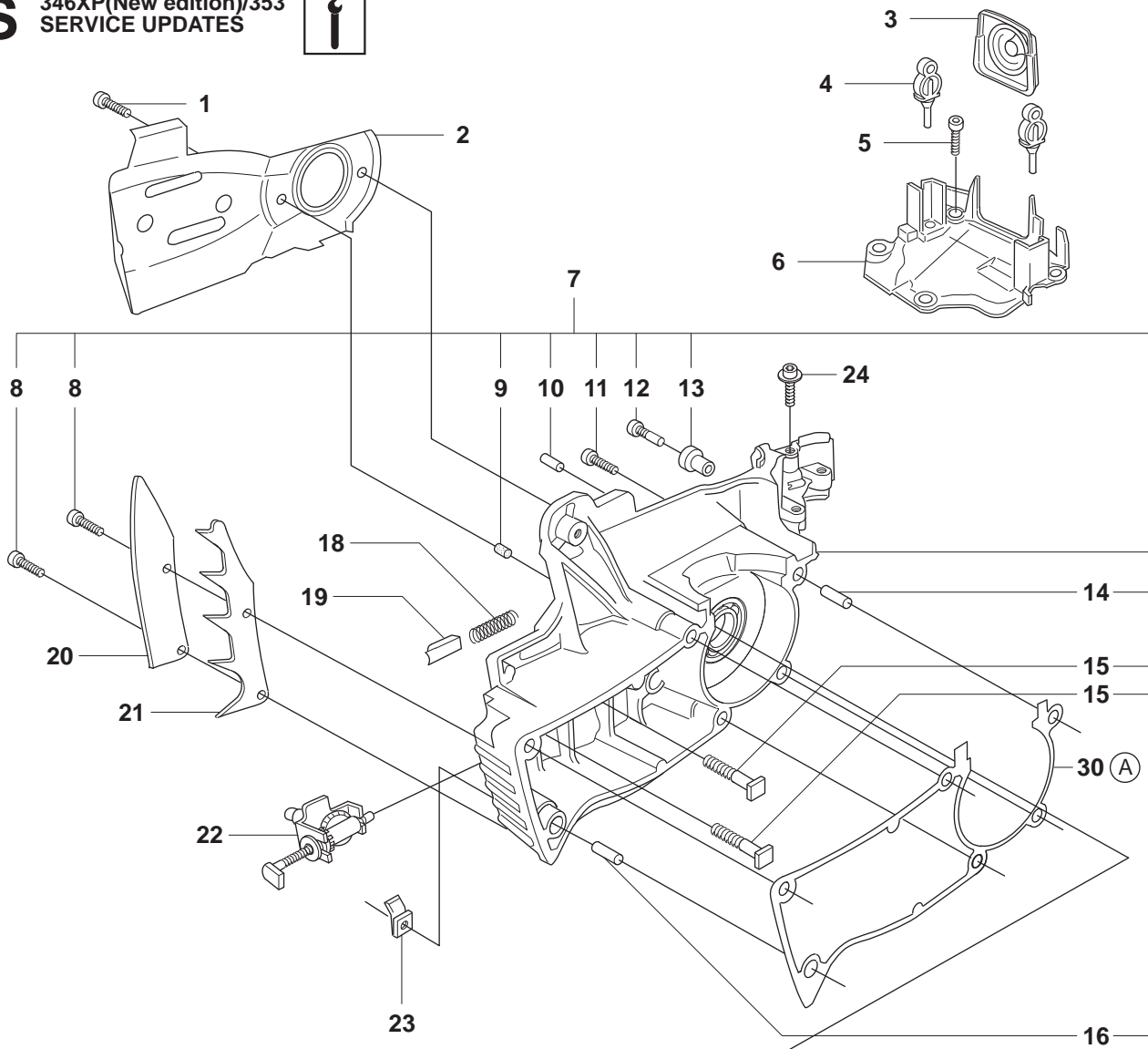
Up to 030500001 (346XP)



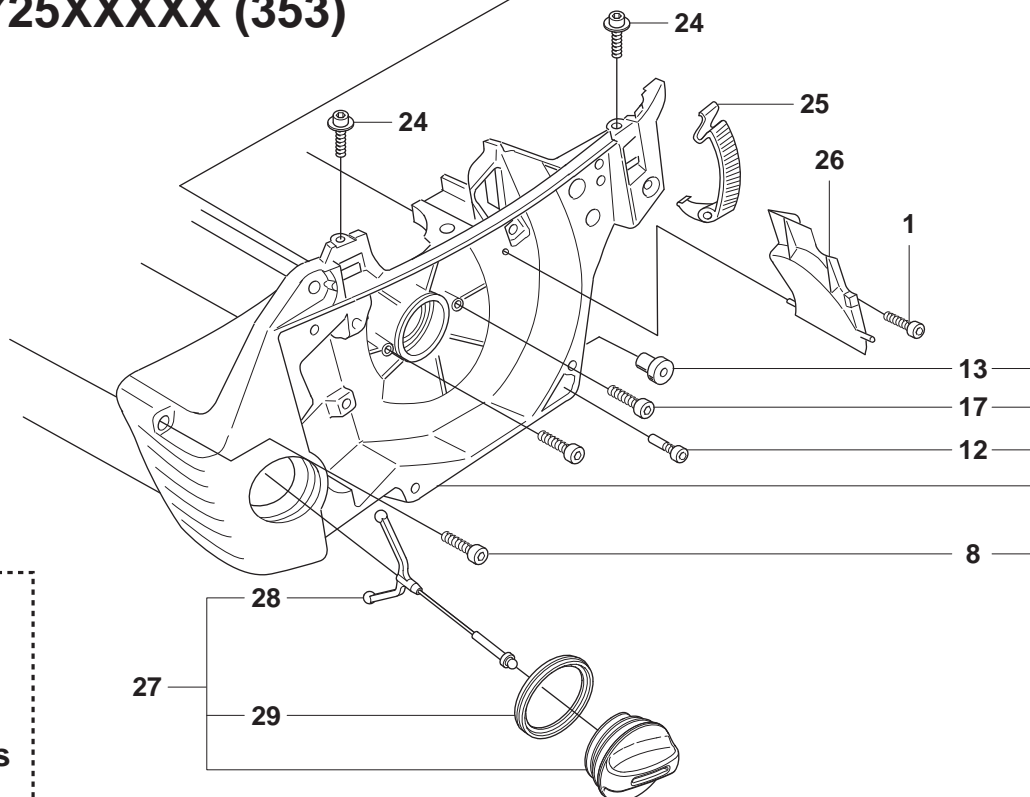
Up to 034200001 (346XP) Up to 034200001 (353)



Position	Article	Quantity	Notes	Kit
1	503 21 74-32	6	mt5x32	
2	503 21 75-20	3	mt5x20	
3	503 21 71-16	2		
4	503 87 54-01	2		
5	537 02 40-01	1	NYLON 80my Black	
5	537 02 40-02	1	NYLON 44my Yellow	
5	537 02 40-03	1	FELT White	
6	503 86 94-01	1		

S346XP(New edition)/353
SERVICE UPDATES

Up to 0719XXXXX (346XP)
Up to 0725XXXXX (353)



Ⓐ 503 94 28-02
Set of gaskets
Dichtungssatz
Jeu de joints
Juego de juntas
Packningssats

Position	Article	Quantity	Notes	Kit
1	503 21 74-12	3		
2	503 87 56-01	1		
3	537 14 65-01	1		
4	503 86 93-01	2		
5	503 21 75-12	4		
6	503 89 66-03	1		
7	537 17 19-03	1		
8	503 20 07-76	3		7
9	537 04 03-01	1		7
10	721 12 07-30	1		7
11	503 20 08-70	6		7
12	503 21 51-01	2		7
13	503 86 92-01	2		7
14	503 90 56-01	1		7
15	503 87 54-01	2		7
16	503 90 56-01	1		7
17	503 20 25-16	2		7
18	503 43 65-01	1		
19	503 89 24-01	1		
20	503 93 04-01	1		
21	503 90 59-01	1		
22	537 07 12-01	1		22
23	503 88 63-01	1		
24	503 21 39-01	3		
25	503 89 47-01	3		
26	503 88 86-01	1		
27	537 28 15-02	1		
28	503 57 89-01	1		27
29	501 62 68-01	1		27
30	503 94 28-02	1	A = Set of gaskets	