



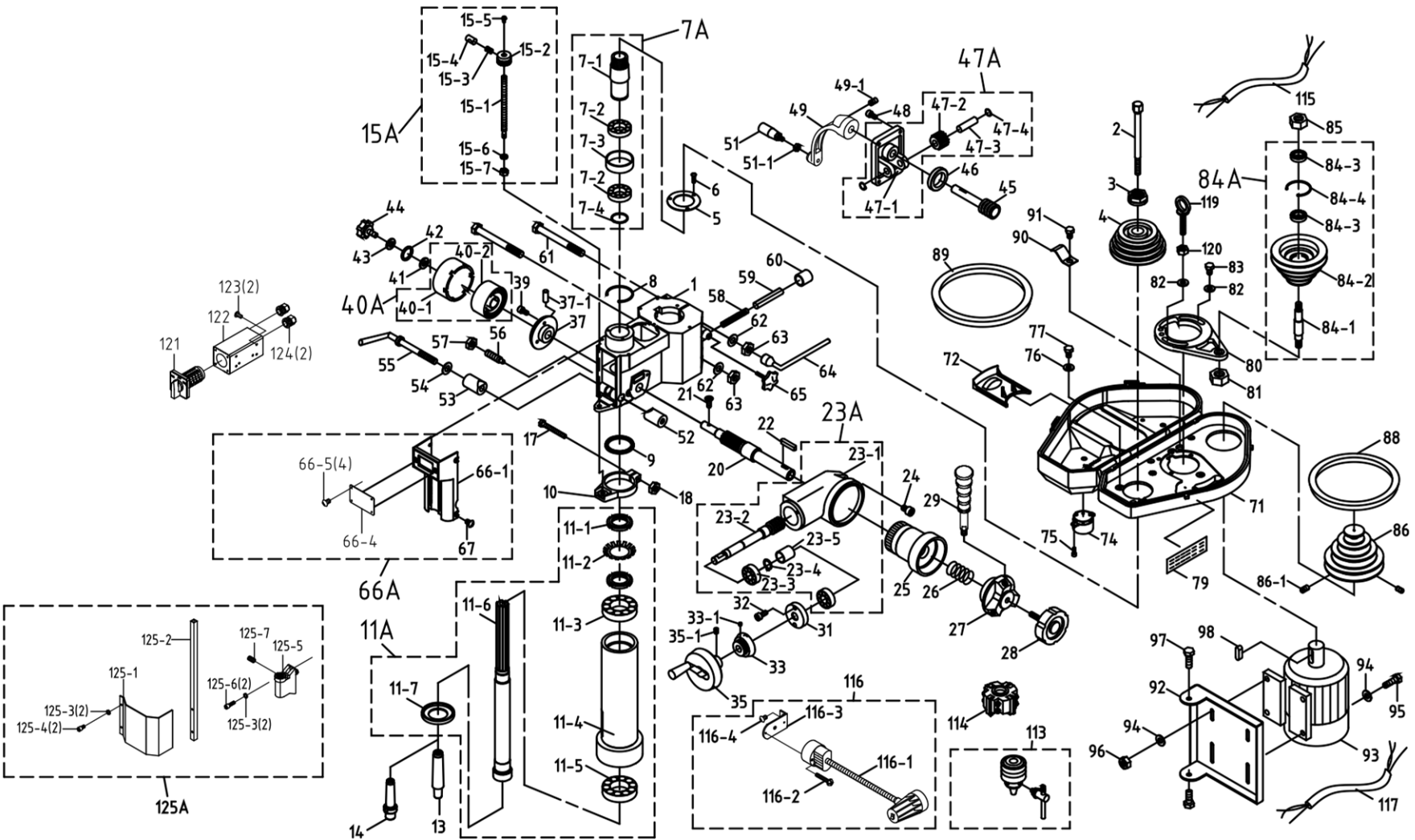
Operating Instructions and Parts Manual JMD-15/18/18PFN Mill/Drill Machine



(JMD-18 shown with optional CS-18 stand)

JET
427 New Sanford Road
LaVergne, Tennessee 37086
Ph.: 800-274-6848
www.jettools.com

Part No. M-350020
Revision I 10/2018
Copyright © 2017 JET



13.3.2 JMD-18/18PFN Head Assembly – Parts List

Index No.	Part No.	Description	Size	Qty
1	JMD18N-001G	Head Body		1
2	JMD18-001	Drawbar	R8	1
3	JMD18-002A	Spindle Lock Nut		1
4	JMD18-003A	Spindle Pulley		1
5	JMD18-005	Outer Bearing Plate	105x66 mm	1
6	JMD18-133	Round Head Screw	1/4"x3/8"	3
7A	JMD18-006A	Spindle Taper Sleeve Assembly		1
7-1	JMD18-006	Spindle Taper Sleeve		1
7-2	BB-6009ZZ	Ball Bearing	6009ZZ	2
7-3	JMD18-008	Spacer	74x68 mm	1
7-4	JMD18-023	Fixed Ring	2x4	1
8	JMD18-009	C-Retaining Ring	3x80 mm	1
9	JMD18-012	Rubber Flange		1
10	JMD18N-010G	Feed Base		1
11A	JMD18-014A	Rack Sleeve Set		1
11-1	JMD18-014	Lock Nut		2
11-2	JMD18-137	Lock Washer	30206	1
11-3	BB-30206	Taper Roller Bearing		1
11-4	JMD18-016	Rack Sleeve	R8	1
11-5	BB-30207	Taper Roller Bearing	30207	1
11-6	JMD18-017	Spindle Shaft	R8	1
11-7	JMD18-019	Bearing Cap	R8	1
13	JMD18-021	Chuck Arbor	R8 7/16"	1
14	JMD18-020	Cutter Arbor	25.4 7/16"	1
15A	JMD18N-015A	Graduated Rod Assembly		1
15-1	JMD18N-15-1	Depth Scale Stud		1
15-2	JMD18N-15-2	Adjustable Stop		1
15-3	JMD18N-15-3	Spring		1
15-4	JMD18N-15-4	Push Button		1
15-5	JMD18N-15-5	Hex Socket Cap Screw	M5x10	1
15-6	JMD18N-15-6	Washer	3/8"	1
15-7	JMD18N-15-7	Hex Nut	3/8"	1
17	TS-0050091	Hex Head Screw	1/4"x2"	1
18	TS-0561011	Hex Nut	1/4"	1
20	JMD18-106	Pinion Shaft		1
21	JMD18-188	Flat Cross Head Screw	3/16"x3/8"	1
22	JMD18-142	Key	7x7x20 mm	1
23A	JMD18N-023A	Gear Housing Assembly		1
23-1	JMD18N-023G	Gear Housing		1
23-2	JMD18-047	Worm Shaft		1
23-3	BB-6202Z	Ball Bearing	6202ZZ	2
23-4	JMD18-148	C-ring	15 mm	1
23-5	JMD18-035	Bearing Spacer	34x27.5 mm	1
24	TS-0208021	Hex Socket Cap Screw	5/16"x1/2"	2
25	JMD18-107	Worm Gear		1
26	JMD18-115	Spring		1
27	JMD18-110	Hub		1
28	JMD18-038	Knob		1
29	JMD18-039	Handle Rod		3
	JMD18-039N	Handle Rod (<i>Serial #16044834 and higher</i>)		3
31	JMD18-045	Flange		1
32	JMD18-047	Round Head Screw	3/16"x3/8"	2
33	JMD18N-033	Micro Adjusting Indicator		1
33-1	TS-0267021	Set Screw	1/4"x1/4"	1
35	JMD18N-035A	Feed Handle Wheel Assembly		1
35-1	JMD18N-035-1	Set Screw	M8x10	1

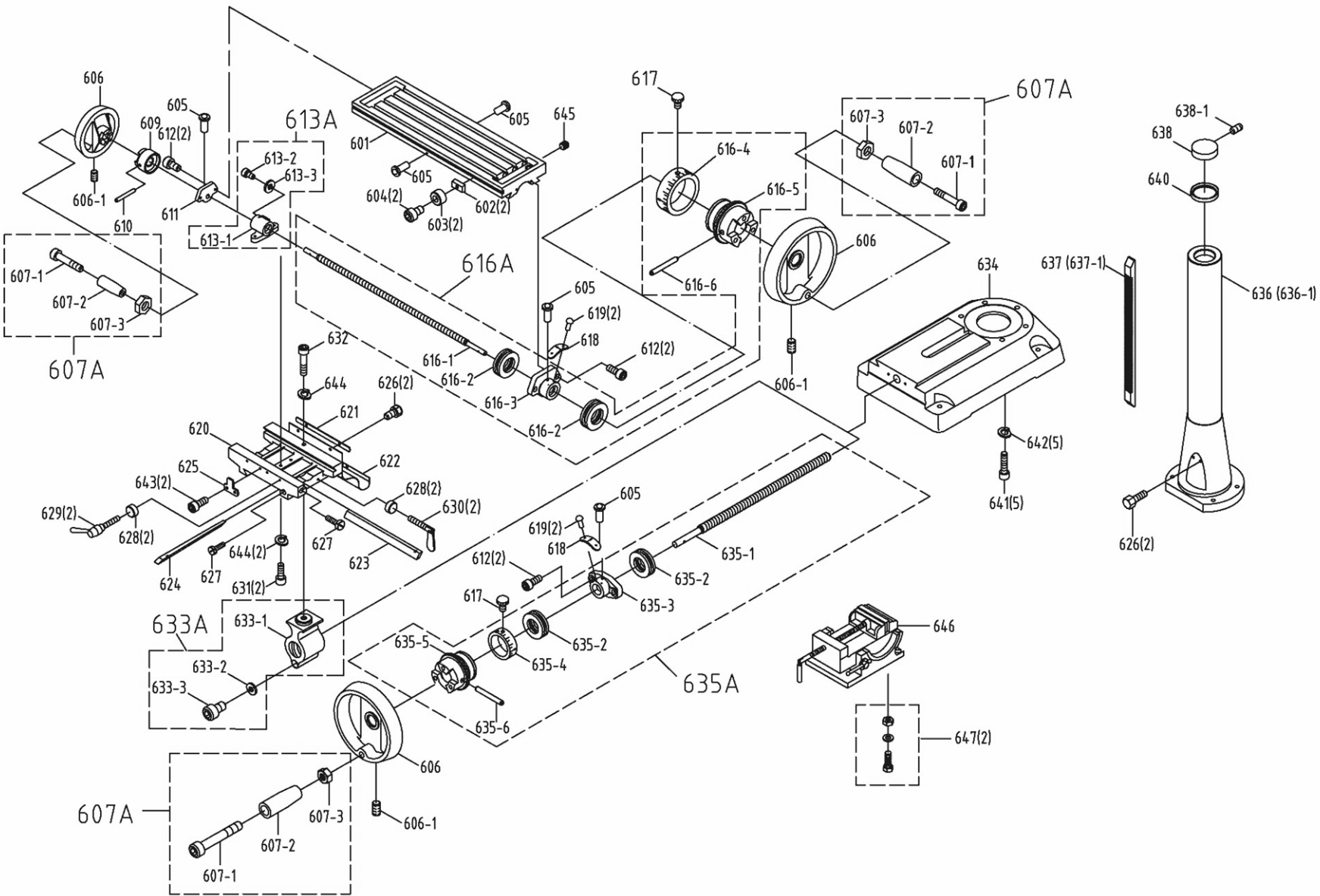
Index No.	Part No.	Description	Size	Qty
37	JMD18-105	Spring Base		1
37-1	JMD18-140	Spring Pin		2
39	JMD18-139	Round Head Screw	3/16"x3/4"	3
40A	JMD18-103A	Spring Cover Assembly		1
40-1	JMD18-103	Spring Cover		1
40-2	JMD18-104	Spring		1
41	JMD18-187	Washer	1/4"x1"	1
42	TS-0680021	Washer	1/4"	1
43	JMD18-187	Lock Washer	1/4"x1"	1
44	JMD18-085	Knob		1
45	JMD18-059	Worm Shaft		1
46	JMD18-114	Bushing		1
47A	JMD18-101AG	Head Raise Bracket Assembly		1
47-1	JMD18-101	Head Raise Bracket		1
47-2	JMD18-060	Worm Gear		1
47-3	JMD18-061	Shaft	9/16"	1
47-4	JMD18-154	C-ring	S14	2
48	TS-0207061	Hex Socket Cap Screw	1/4"x1"	4
49	JMD18-058	Head Handle		1
49-1	TS-0271061	Set Screw	3/8"x5/8"	1
51	JMD18-022	Handle		1
51-1	TS-0561031	Hex Nut	3/8"	1
52	JMD18-026	Fixed Collar (Thread)		1
53	JMD18-025	Fixed Collar		1
54	JMD18N-054	Washer	1/2"x7/8"	1
55	JMD18-024	Handle Rod		1
56	JMD18-027	Screw Key	3/8"	1
57	TS-0561031	Hex Nut	3/8"	1
58	JMD18-062	Spring		1
59	JMD18-063	Pin		1
60	JMD18-079	Rubber Collar		1
61	JMD18-052	Bolt	5/8"x6"	2
62	TS-0680081	Washer	5/8"	2
63	TS-0561071	Hex Nut	5/8"	2
64	JMD18-050	Lock Handle		1
65	JMD18N-065	Knob		1
66A	JMD18N-066A	Front Cover Plate Assembly (<i>serial no: previous to 11043083</i>)		1
66A	JMD18N-066B	Front Cover Plate Assembly (<i>includes 66-1,66-4,66-5</i> <i>serial no: 11043083 and higher</i>)		1
66-1	JMD18N-066-1	Front Cover Plate		1
66-4	JMD18N-066-4	Front Cover Plate		1
66-5	TS-1533032	Phillips Pan Head Machine Screw	M5x10	4
67	JMD18N-067	Round Head Screw	M6x12	4
71	JMD18-069	Poly Belt Cover		1
72	JMD18-069A	Pulley Cover		1
74	JMD18-069-1	Spindle Cover		1
75	JMD18-069-3	Screw	3mm	2
76	TS-0680032	Flat Washer	5/16"	4
77	TS-0051011	Hex Head Bolt	5/16"x1/2"	4
79	JMD18-SC	Spindle Speed Chart		1
80	JMD18N-080	Pulley Base		1
81	TS-0561071	Hex Nut	5/8"	1
82	TS-0680031	Washer	5/16"	2
83	TS-0051071	Hex Head Bolt	5/16"x1-1/2"	1
84A	JMD18-075A	Inter Pulley Assembly		1
84-1	JMD18-075	Inter Pulley Shaft		1
84-2	JMD18-073	Inter Pulley		1
84-3	BB-6204Z	Ball Bearing	6204ZZ	2

Index No.	Part No.	Description	Size	Qty
84-4	JMD18-010	C-ring	2x52 mm	1
85	TS-0561071	Hex Nut	5/8"	1
86	JMD18-070	Motor Pulley (Serial #06013377 and lower)		1
	JMD18-070N	Motor Pulley (Serial #06013378 and higher)		1
86-1	TS-0270021	Set Screw	5/16"x5/16"	2
88	VB-B33	V-Belt	B33	1
89	VB-B42	V-Belt	B42	1
90	JMD18-077	Wire Relief Retainer		1
91	TS-0051011	Hex Head Screw	5/16"x1/2"	1
92	JMD18-066	Motor Mount Plate		1
93	JMD18-067	Motor (Serial #06013377 and lower)	2HP, 1Ph, 230V Only	1
	JMD18-067N	Motor (Serial #06013378 and higher)	2HP, 1Ph, 230V Only	1
	JMD18-067AN	Motor (Serial #11053083 and higher)	2HP, 1PH, 115/230V	1
94	TS-0680031	Flat Washer	5/16"	8
95	TS-0051051	Hex Head Bolt	5/16"x1"	4
96	TS-0561021	Hex Nut	5/16"	4
97	TS-0061011	Hex Head Bolt	7/16"x3/4"	2
98	JMD18-159	Key (Serial #06013377 and lower)	7x7x37mm	1
	JMD18-159N	Key (Serial #06013378 and higher)	8x7x38mm	1
113	561704	Drill Chuck w/ Chuck Key	1/2" JT6	1
114	JMD18-086	Milling Cutter Assembly	25.4mm (3")	1
	JMD18-086A	Cutter Insert	12x12mm	4
115	JMD18N-115	Power Cable	230V	1
116	JMD18-116	Lamp Assembly (includes 116-1~116-4)		1
116-1	JMD18-116-1	Lamp		1
116-2	JMD15-092	Cross Round Head Screw	M4x35L	2
116-3	JMD15-093	Working Lamp Base		1
116-4	JMD15-094	Hex. Socket Head Screw	M6x12L	2
117	JMD18N-117	Motor Cable		1
119	JMD18-119	Lifting Hook	5/16"x50mm	1
120	TS-0570021	Hex Nut	5/16"-18	1
121	JMD18-121-1	F/R Switch		1
122	JMD18-122	Switch Box		1
123	JMD18-123	Cross Round Head Screw	3/16"-24UNCx3/8"L	2
124	JMD18-124	Cable Setting Nut (Serial #13053752 and lower)	PG13.5	2
	JMD18-124N	Cable Setting Nut (Serial #13053753 and higher)	PG16	2
125A	JMD18-125A	Spindle Guard Assembly		1
125-1	JMD18-125-1	Chuck Guard & Support Rod		1
125-3	TS-2361051	Spring Washer	M5	4
125-4	TS-1502021	Socket Head Cap Screw	M5x10L	2
125-5	JMD18-125-5	Rotary Supporting Base		1
125-6	JMD18-125-6	Hex Socket Head Screw	M5x15L	2
125-7	JMD18-125-7	Hex. Socket Headless Screw	M5x10L	1
	JMD15-JL	Jet Label (not shown)		1
	JMD18-ID	I.D. Label (not shown)		1
	JMD18-303	Thermal Relay (not shown)	15A, 220V	1
	JMD18-303-1	Thermal Relay (not shown)	30A 115V	1
	JMD18-320-01	Special Arbor Washer (not shown)		1
	JMD18-320-02	Special Arbor Bolt (not shown)		1
	JMD18-36701	Capacitor (not shown)	300MF, 250VAC	1
	BD1325R-X02	Centrifugal Switch (not shown)		1
	JMD18-AP	Accessory Package (not shown) *		1

*** Contents of the Accessory Package:**

.....JMD18-020	Cutter Arbor.....	1
.....JMD18-022	Handle.....	4
.....JMD18-039	Handle Rod	3
.....JMD18-040	Knob.....	3
.....JMD18-050	Lock Handle	1
.....561704	Drill Chuck w/Chuck Key.....	1
.....JMD18-086	Cutter	1
.....JMD18-021	Chuck Arbor (Installed)	1
.....365534	Angle Vise	1
.....JMD18-058	Handle Crank	1
.....JMD18-201	Wheel.....	3
.....TS-152704	Hex Wrench	3mm.....1
.....TS-152705	Hex Wrench	4mm.....1
.....TS-152706	Hex Wrench	5mm.....1
.....TS-0209051	Hex Socket Cap Screw	3/8x1.....1
.....TS-0680041	Flat Washer.....	3/8.....1
.....365534-01	Hardware Package(Hex Cap Screw,Nut,and Washer).....	2

13.4.1 JMD-18/JMD-18PFN Table, Base, and Column Assembly – Exploded View



13.4.2 JMD-18/JMD-18PFN Table, Base, and Column Assembly – Parts List

Index No.	Part No.	Description	Size	Qty
601	JMD18-228G	Table	31L	1
602	JMD18-229	Fixed Block		2
603	JMD18-230	Movable Ring		2
604	TS-0207021	Hex Socket Head Screw	1/4"x1/2"	2
605	JMD18-368	Oil Ball	1/4"	5
606	JMD18-201	Table Handle Wheel		3
606-1	TS-0267041	Set Screw	1/4"x3/8"	3
607A	JMD18-201A	Handle Assembly		3
607-1	JMD18-201-1	Hex Socket Head Screw	3/8"x16UNC	3
607-2	JMD18-201-2	Knob		3
607-3	JMD18-201-3	Hex Nut	3/8"	3
609	JMD18-220	Table Clutch		1
610	JMD18-366	Pin	5x38 mm	1
611	JMD18-222	Left Flange		1
612	TS-0208062	Hex Socket Head Screw	5/16"x1"	6
613A	JMD18-223A	Table Nut Set		1
613-1	JMD18-223	Table Nut	TM23.7-10	1
613-2	TS-1502041	Cheese Head Mach Screw	M5x16	1
613-3	TS-1550031	Flat Washer	M5	1
616A	JMD18-224A	Table Screw Assembly		1
616-1	JMD18-224	Table Lead Screw		1
616-2	BB-51103	Thrust Bearing	51103	2
616-3	JMD18-226	Right Flange		1
616-4	JMD18-202-1	Graduated Dial		1
616-5	JMD18-202	Dial Clutch		1
616-6	JMD18-366	Pin	5x38L mm	1
617	JMD18N-617	Link Screw		2
618	JMD18-121	Link Plate		2
619	JMD18-204-2	Rivet	2mm	4
620	JMD18-216G	Center Base	31L	1
621	JMD18-219	Antidust Plate		1
622	JMD18-217	Antidust Plate Assembly		1
623	JMD18-227	Gib Strip	31L	1
624	JMD18-207	Gib Strip	31L	1
625	JMD18-214	Fixed Block		1
626	TS-0051011	Hex Head Screw	5/16"x1/2"	4
627	JMD18-212	Gib Strip Bolt		2
628	JMD18N-628	Bushing		4
629	JMD18-213-1	Locking Handle		2
630	JMD18-213	Leaf Screw		2
631	TS-0208061	Hex Socket Head Screw	5/16"x1"	2
632	TS-0051101	Hex Socket Head Screw	5/16"x2-1/4"	1
633A	JMD18-215A	ACME Nut Assembly		1
633-1	JMD18-215	ACME Nut	TM23	1
633-2	TS-1550031	Flat Washer	M5	1
633-3	TS-1502041	Hex Socket Head Screw	M5x16	1
634	JMD18N-634G	Base		1
635A	JMD18-205A	ACME Nut Assembly		1
635-1	JMD18-205	Cross Lead Screw	TM23	1
635-2	BB-51103	Thrust Bearing	51103	2
635-3	JMD18-204	Square Flange		1
635-4	JMD18-202-1	Graduated Dial		1
635-5	JMD18-202	Dial Clutch		1
635-6	JMD18-366	Pin	5x38 mm	1
636	JMD18N-636G	Column Base for JMD-18	958mm	1
636-1	JMD18N-636-1G	Column Base for JMD-18PFN	1227mm	1

Index No.	Part No.	Description	Size	Qty
637	JMD18N-637	Rack for JMD-18	600.5L	1
637-1	JMD18N-637-1	Rack for JMD-18PFN	885.5L	1
638	JMD18-211	Column Cap		1
638-1	TS-0270021	Set Screw	5/16"x5/16"	1
640	JMD18-209	Column Flange Ring		1
641	JMD18-641	Hex Socket Cap Bolt	5/8"x2-1/2"	5
642	TS-0720131	Lock Washer	5/8"	5
643	TS-0208022	Hex Socket Head Screw	5/16"x1/2"	2
644	JMD18N-644	Lock Washer	5/16"	3
645	JMD18N-645	Plug	PT1/4"x3/8"	1
646	365534	Vise		1
647	365534-01	Hardware Package (Bolt, Nut, and Washer)		2