

## Saw Table - F 012 340 00A - 3400

Item	Part Number	Description	Illustration	Price	Quantity	Price Group
1	2 610 358 839	Screw	1	-,-	1	-
2	2 610 358 834	Locking Piece	1	-,-	1	-
3	2 610 358 838	Knob	1	-,-	1	14
4	2 610 044 563	Nut	1	-,-	1	11
5	2 610 358 835	Lever	1	-,-	1	-
6	2 610 358 833	Washer	1	-,-	1	11
7	2 610 358 836	Stud bolt	1	-,-	1	-
8	2 610 358 111	On-Off Switch	1	-,-	1	30
9	2 610 903 743	Screw	1	-,-	1	-
10	2 610 358 837	Bolt	1	-,-	1	-
11	2 610 358 844	Screw	1	-,-	3	11
12	2 610 358 902	Guide	1	-,-	1	31
13	2 610 903 733	Spring	1	-,-	1	12
14	2 610 905 925	Cover	1	-,-	1	-
15	2 610 909 430	Power supply cord	1	-,-	1	32
16	2 610 358 903	Cover	1	-,-	1	13
17	2 610 358 832	Screw	1	-,-	6	11
18	2 610 358 831	Clamping Plate	1	-,-	1	11
19	2 610 905 907	Table	1	-,-	1	47
20	2 610 358 827	Screw	1	-,-	1	11
21	2 610 358 828	Screw	1	-,-	1	11
22	2 610 358 846	Rubber Bushing	1	-,-	4	11
23	2 610 358 829	Base	1	-,-	1	-
24	2 610 358 841	Hex Screw	1	-,-	2	11
25	2 610 358 842	Clamp	1	-,-	1	11
26	2 610 358 840	Grommet	1	-,-	1	12
27	2 610 358 847	Clamp	1	-,-	2	-
28	2 610 358 830	Hex Screw	1	-,-	4	11
29	2 610 358 824	Nut	1	-,-	1	11
30	2 610 358 883	Dust Protection	1	-,-	1	-
31	2 610 358 823	Screw	1	-,-	1	11
32	2 610 996 880	Key	1	-,-	1	17
33	2 610 358 853	Single-Head Eng. Wrench	1	-,-	1	18

Item	Part Number	Description	Illustration	Price	Quantity	Price Group
34	2 610 905 909	Screw	1	-,-	4	11
35	2 610 358 904	Spacer	1	-,-	4	13
36	2 610 358 876	Nut	1	-,-	4	11
37	2 610 358 822	Insert	1	-,-	1	19
38	2 610 358 826	Cross Recessed-Head Screw	1	-,-	6	11
45	2 610 358 934	Grommet	2	-,-	1	12
46	2 610 905 901	Power supply cord	2	-,-	1	-
47	2 610 358 932	Connector	2	-,-	1	11
48	2 610 358 849	Washer	2	-,-	1	-
49	2 610 358 920	Screw	2	-,-	1	11
50	2 610 358 935	Housing	2	-,-	1	16
51	2 610 358 937	Rubber Buffer	2	-,-	1	11
52	2 610 909 439	Carbon-Brush Set	2	-,-	1	25
53	2 610 358 914	Shaft	2	-,-	1	29
54	2 610 351 107	Nut	2	-,-	2	11
55	2 610 358 928	Screw	2	-,-	1	11
56	2 610 358 924	Motor Housing	2	-,-	1	29
57	2 610 358 927	Washer	2	-,-	1	11
58	2 610 015 747	Ball Bearing	2	-,-	1	26
59	2 610 909 424	Field 120V	2	-,-	1	37
60	2 610 358 936	Washer	2	-,-	1	11
61	2 610 358 926	Collar bolt	2	-,-	2	-
62	2 610 905 924	Armature 120V	2	-,-	1	47
63	2 610 017 349	Deep-Groove Ball Bearing	2	-,-	1	31
64	2 610 908 280	Gear Housing	2	-,-	1	-
65	2 610 358 922	Needle-Roller Bearing	2	-,-	1	24
66	2 610 358 919	Conversion Gear	2	-,-	1	27
67	2 610 358 918	Bearing Housing	2	-,-	1	22
68	2 610 358 917	Bearing Housing	2	-,-	1	15
69	2 610 358 920	Screw	2	-,-	1	11
70	2 610 358 916	Spring retaining ring	2	-,-	1	11
71	2 610 015 361	Deep-Groove Ball Bearing	2	-,-	1	28
72	2 610 358 915	Key	2	-,-	1	13
73	2 610 358 933	Screw	2	-,-	1	-
74	2 610 306 005	Cross Recessed-Head Screw	2	-,-	3	12
75	2 610 026 248	Washer	2	-,-	3	11
76	2 610 358 881	Pointer	2	-,-	1	14
77	2 610 358 880	Deflector	2	-,-	1	-
78	2 610 903 744	Strap	2	-,-	2	11
79	2 610 358 861	Hex Screw	2	-,-	1	11
80	2 610 358 862	Spacer	2	-,-	1	12
81	2 610 358 876	Nut	2	-,-	12	11
82	2 610 358 879	Washer	2	-,-	1	11
83	2 610 358 878	Washer	2	-,-	1	11
84	2 610 358 877	Hex Nut	2	-,-	1	11
85	2 610 358 874	Pivot Pin	2	-,-	1	17
86	2 610 901 978	Spacer	2	-,-	1	11
87	2 610 358 869	Retaining snap ring	2	-,-	1	11
88	2 610 358 868	Spring Pin	2	-,-	1	15
89	2 610 905 905	Mounting Piece	2	-,-	1	-
90	2 610 358 867	Strap	2	-,-	2	12
91	2 610 905 903	Rod	2	-,-	1	18
92	2 610 358 865	Block	2	-,-	1	12

Item	Part Number	Description	Illustration	Price	Quantity	Price Group
93	2 610 905 904	Bracket Holder	2	-,-	1	18
94	2 610 358 857	Washer	2	-,-	1	17
95	2 610 358 882	Bolt	2	-,-	1	11
96	2 610 905 908	Cross Recessed-Head Screw	2	-,-	3	11
97	2 610 905 906	Bracket Holder	2	-,-	1	-
98	2 610 358 863	Hex Screw	2	-,-	1	11
99	2 610 358 860	Hex Screw	2	-,-	3	11
100	2 610 905 928	Spacer	2	-,-	1	-
101	2 610 358 858	Nut	2	-,-	1	13
104	2 610 358 803	Spacer	3	-,-	1	12
105	2 610 358 812	Bolt	3	-,-	1	11
106	2 610 358 819	Screw	3	-,-	4	12
107	2 610 358 802	Washer	3	-,-	4	11
108	2 610 910 015	Collar bolt	3	-,-	1	12
109	2 610 910 012	Bracket Holder	3	-,-	1	15
110	2 610 358 801	Washer	3	-,-	1	11
111	2 610 358 816	Block	3	-,-	1	11
112	2 610 358 800	Pivoting Blade Guard	3	-,-	1	27
113	2 610 910 013	Washer	3	-,-	1	12
114	2 610 703 214	Screw	3	-,-	1	11
115	2 610 358 811	Pin	3	-,-	1	-
116	2 610 358 807	Nut	3	-,-	1	11
117	2 610 358 808	Holding Plate	3	-,-	1	12
118	2 610 358 809	Spacer	3	-,-	1	11
119	2 610 358 814	Plate	3	-,-	1	18
120	2 610 355 325	Spring Washer	3	-,-	1	10
121	2 610 358 821	Wing Nut	3	-,-	1	12
122	2 610 358 813	Nut	3	-,-	1	11
123	2 610 358 810	Spring	3	-,-	1	11
124	2 610 702 414	Screw	3	-,-	1	11
125	2 610 358 806	Pivot Pin	3	-,-	1	11
126	2 610 905 900	Bracket Holder	3	-,-	1	18
127	2 610 358 804	Backing Pad	3	-,-	1	11
128	2 610 304 772	Nut	3	-,-	1	11
129	2 610 912 929	Handle	3	-,-	1	-
130	2 610 358 907	Washer	3	-,-	1	11
131	2 610 358 910	Gear Housing	3	-,-	1	27
132	2 610 358 911	Pin	3	-,-	1	11
133	2 610 358 913	Sliding Piece	3	-,-	1	14
134	2 610 358 832	Screw	3	-,-	3	11
135	2 610 990 547	Pan head screw	3	-,-	1	11
136	2 610 358 909	Scale	3	-,-	1	-
137	2 610 358 905	Bearing	3	-,-	1	-
138	2 610 358 912	Guide	3	-,-	1	21
139	2 610 358 889	Housing	3	-,-	1	-
140	2 610 358 884	Rod	3	-,-	1	16
141	2 610 358 885	Clamp	3	-,-	1	15
142	2 610 358 886	Spring	3	-,-	1	-
143	2 610 358 887	Sliding Piece	3	-,-	1	13
144	2 610 358 888	Housing	3	-,-	1	29
145	2 610 358 802	Washer	3	-,-	2	11
146	2 610 358 819	Screw	3	-,-	2	12
147	2 610 358 900	Pointer	3	-,-	1	12

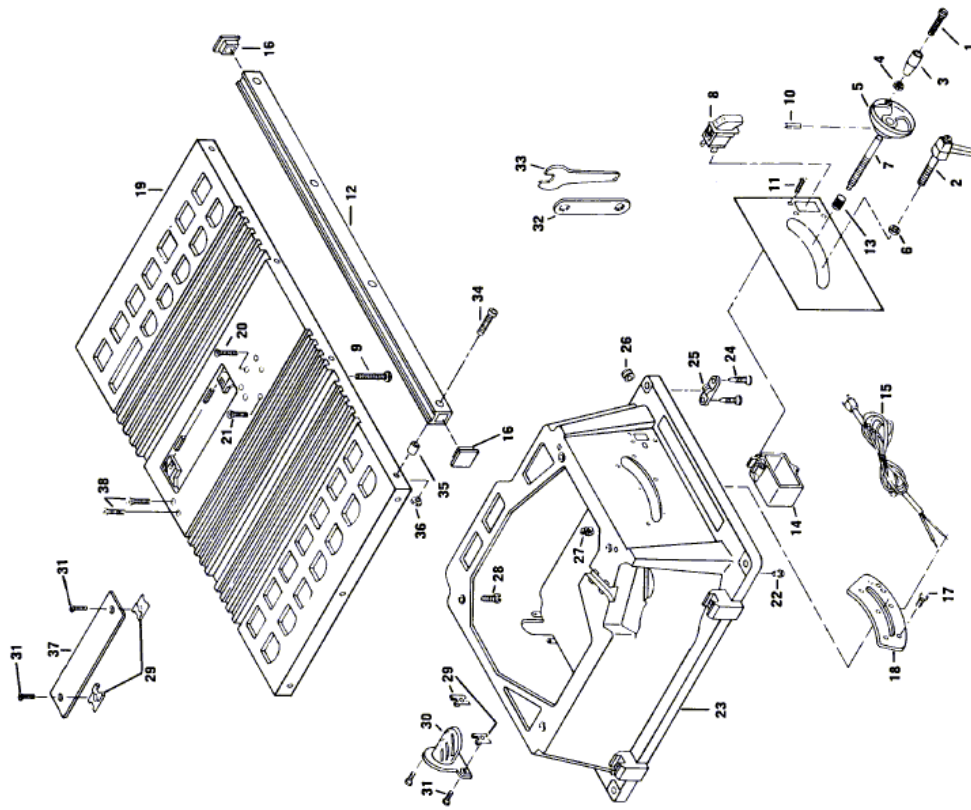
Item	Part Number	Description	Illustration	Price	Quantity	Price Group
148	2 610 358 901	Screw	3	-,-	1	11
149	2 610 358 899	Spring	3	-,-	1	11
150	2 610 358 898	Screw	3	-,-	1	14
151	2 610 358 895	Bolt	3	-,-	1	13
152	2 610 358 896	Pin	3	-,-	1	13
153	2 610 358 897	Handle	3	-,-	1	16
154	2 610 044 563	Nut	3	-,-	1	11
155	2 610 358 894	Bolt	3	-,-	1	-
156	2 610 910 017	Clamping Piece	3	-,-	1	20
157	2 610 358 890	Lever	3	-,-	1	16
158	2 610 358 891	Clamp	3	-,-	1	15
159	2 610 358 892	Cover	3	-,-	2	12

Illustration - Type E

F012340098

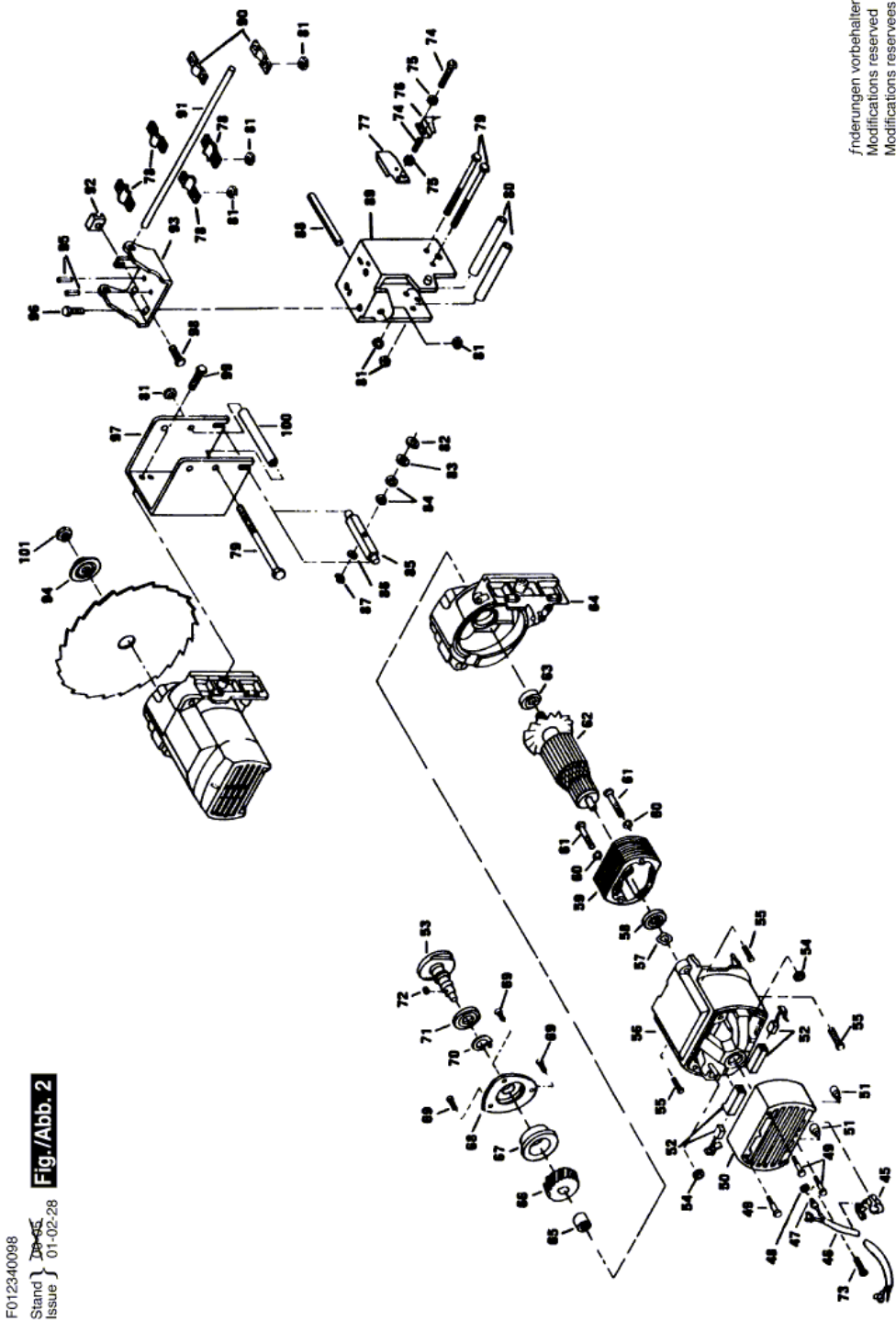
Stand  
Issue

00-05-22 **Fig./Abb. 1**



Änderungen vorbehalten  
Modifications reserved  
Modificaciones reservadas  
Salvo modificaciones

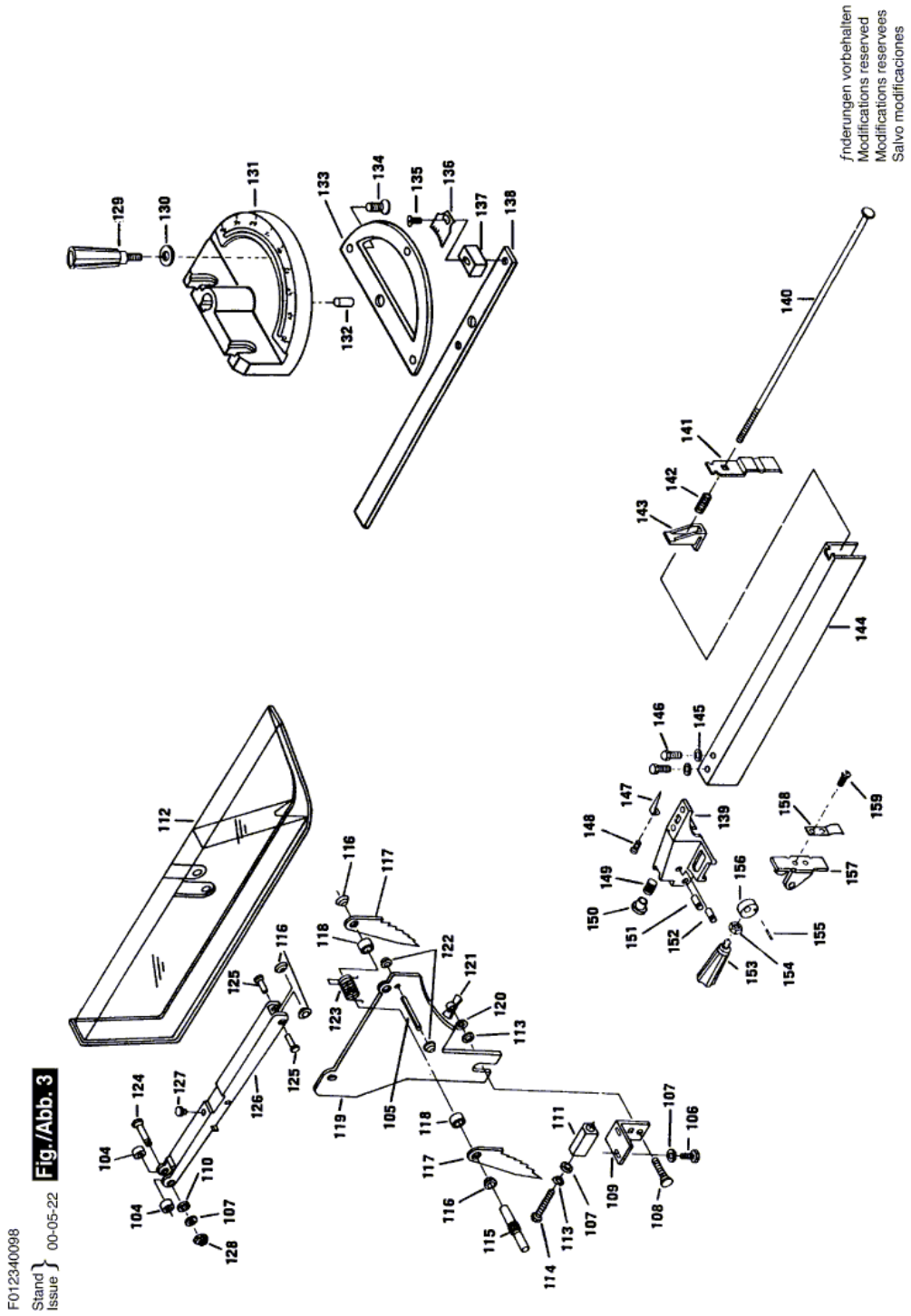
Illustration - Type E



F012340098  
Stand } 2005  
Issue } 01-02-28  
**Fig./Abb. 2**

Änderungen vorbehalten  
Modifications reserved  
Modificacions reserves  
Salvo modificaciones

Illustration - Type E



Information subject to change without further notice.