

340, 345, 340 EPA, 345 EPA

Spare parts

Ersatzteile

Pièces détachées

Reserve onderdelen

Repuestos

Reservdelar

Replaces

Ersetzt

Remplace

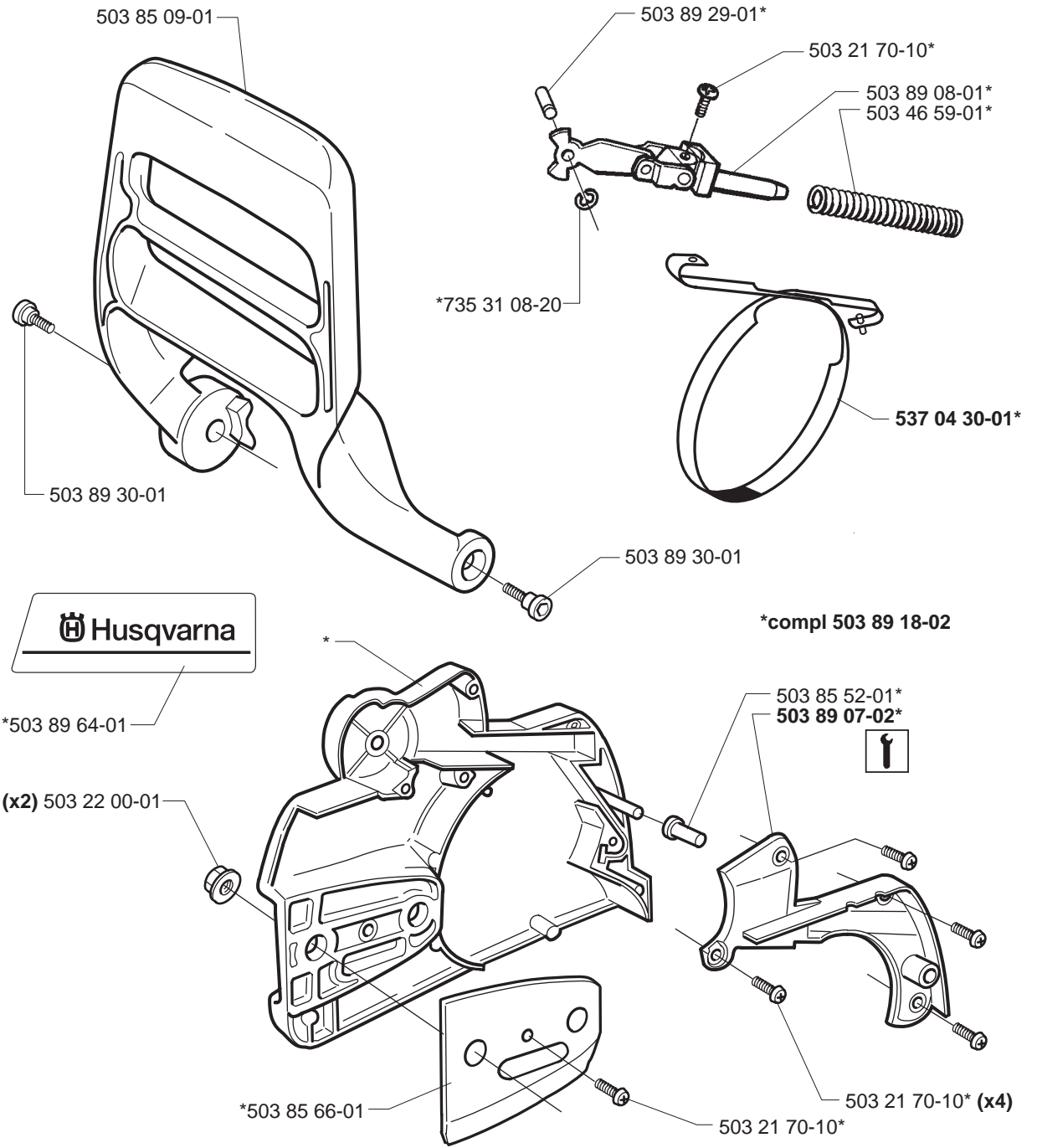
Vervangt

Reemplaza

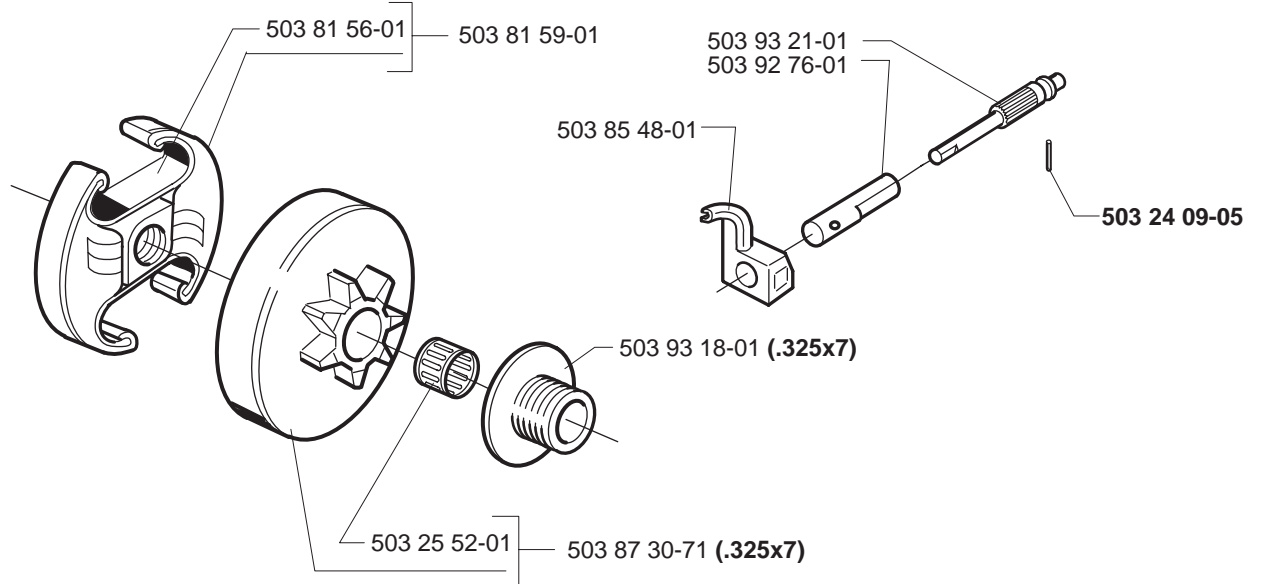
Ersätter

106 25 18-61

A

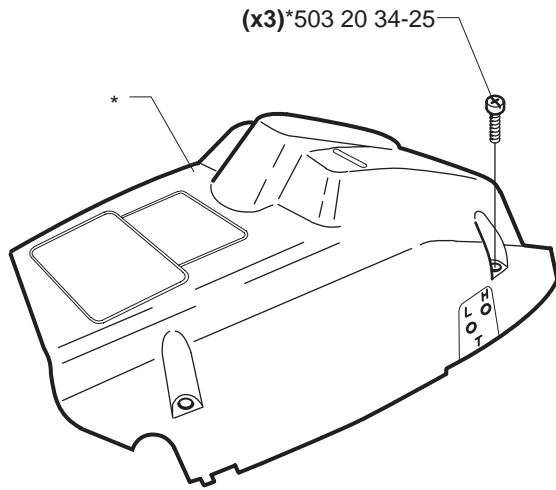


B

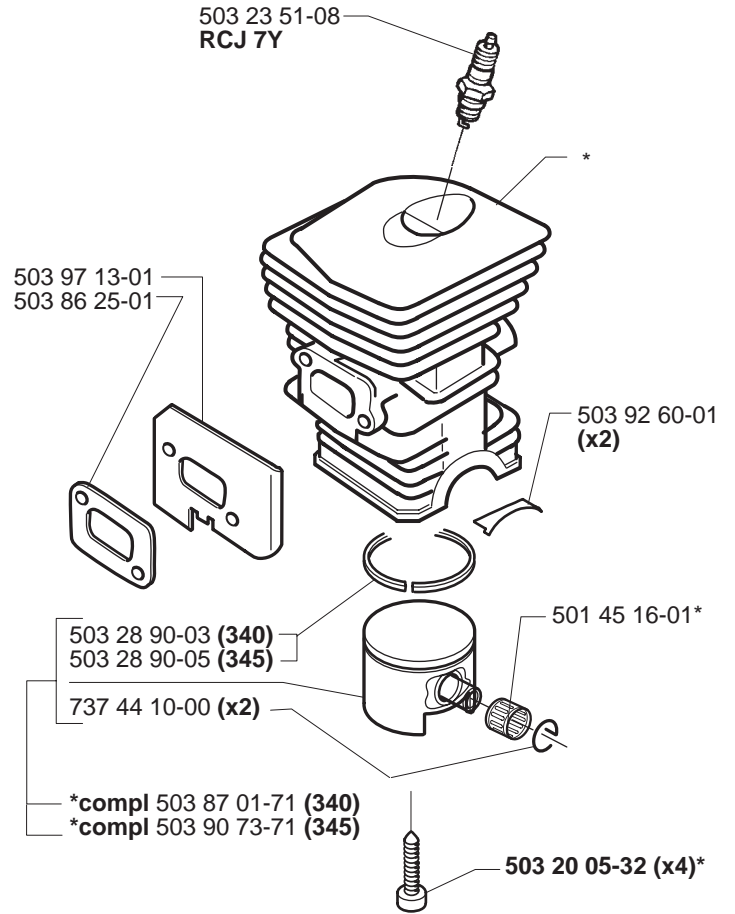


C

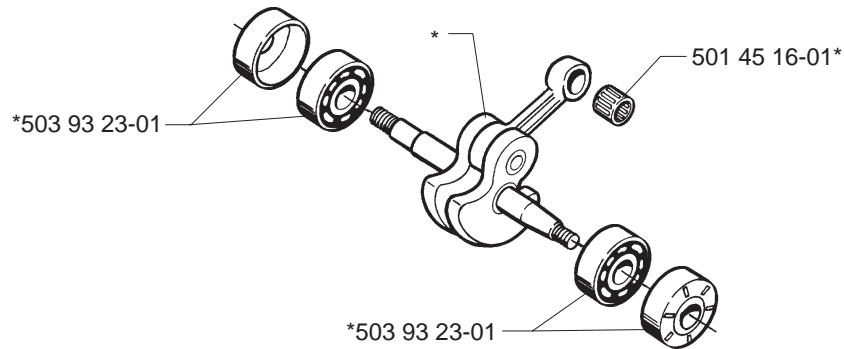
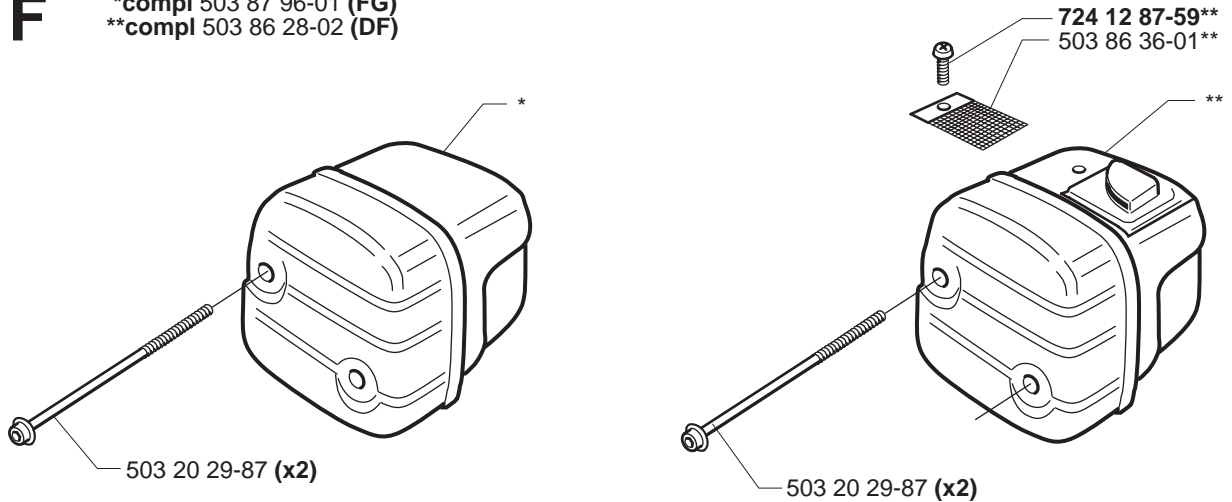
*compl 503 91 05-01



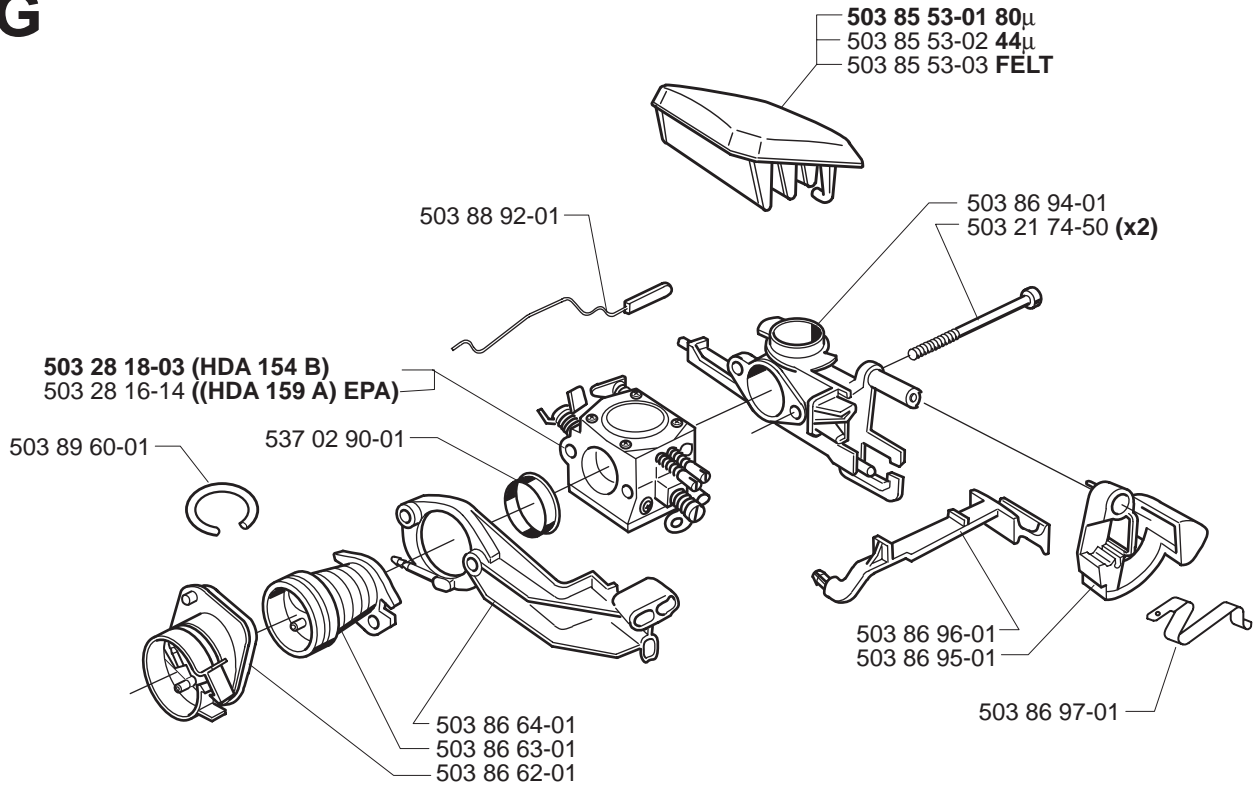
*503 98 74-01

D*compl 503 87 00-75 (340)
*compl 503 87 02-75 (345)*compl 503 87 01-71 (340)
*compl 503 90 73-71 (345)**E**

*compl 503 85 80-71

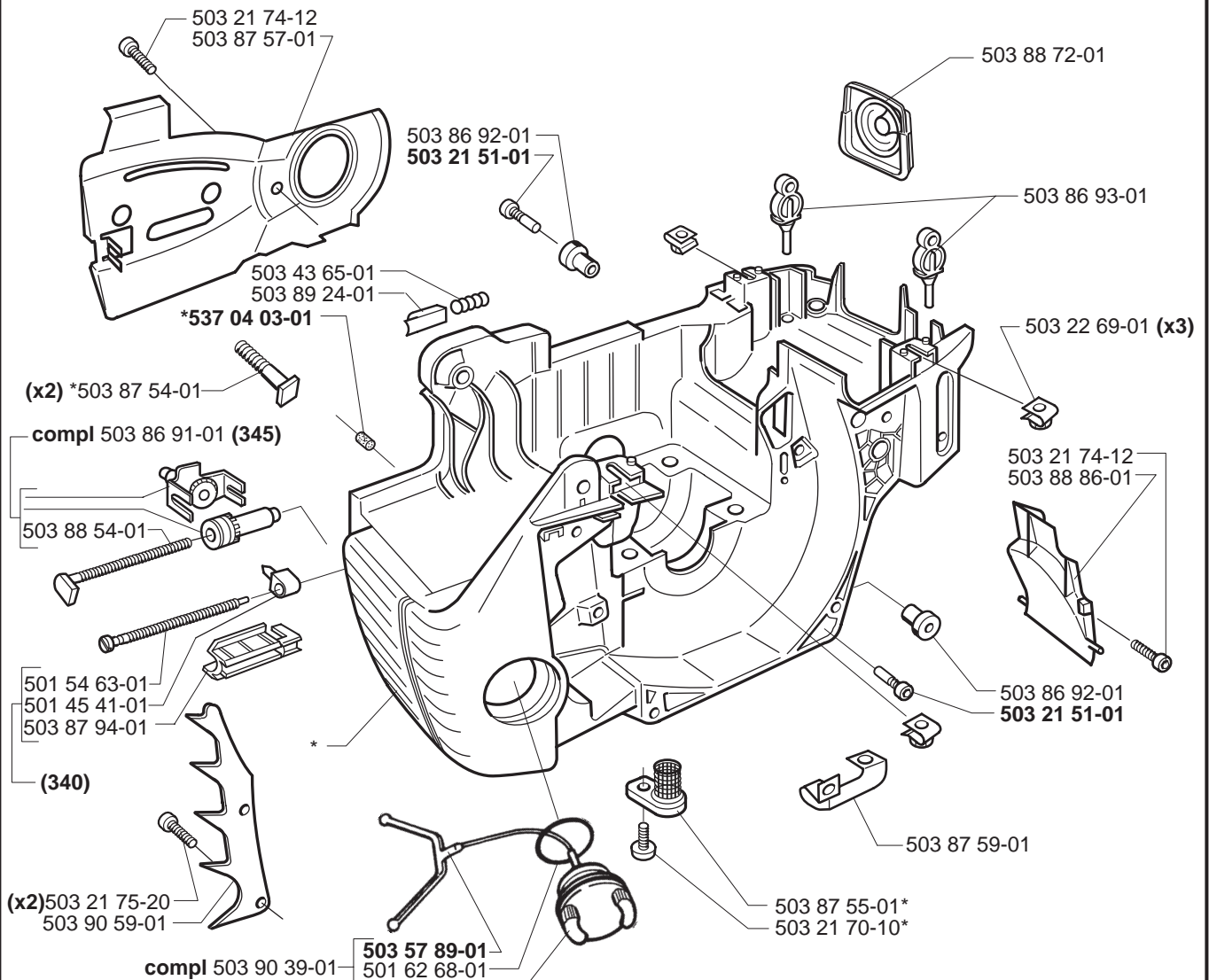
**F***compl 503 87 96-01 (FG)
**compl 503 86 28-02 (DF)

G



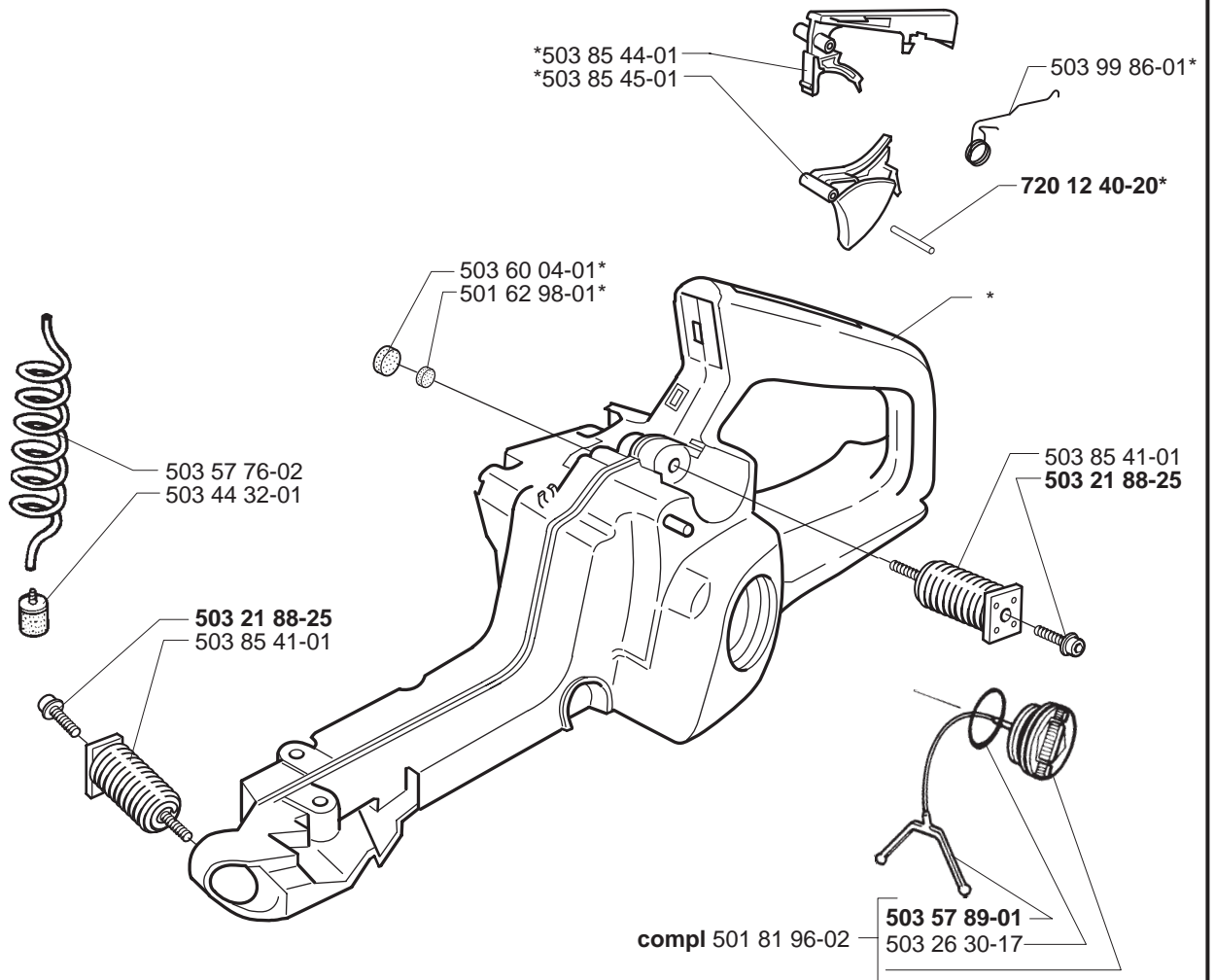
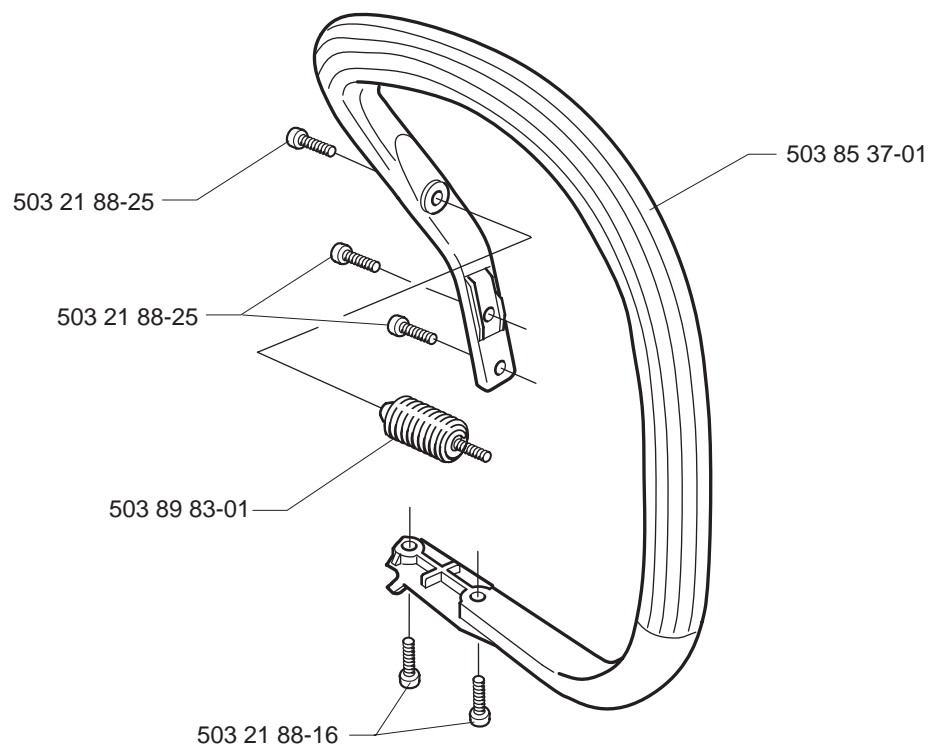
H

*compl 503 85 15-02

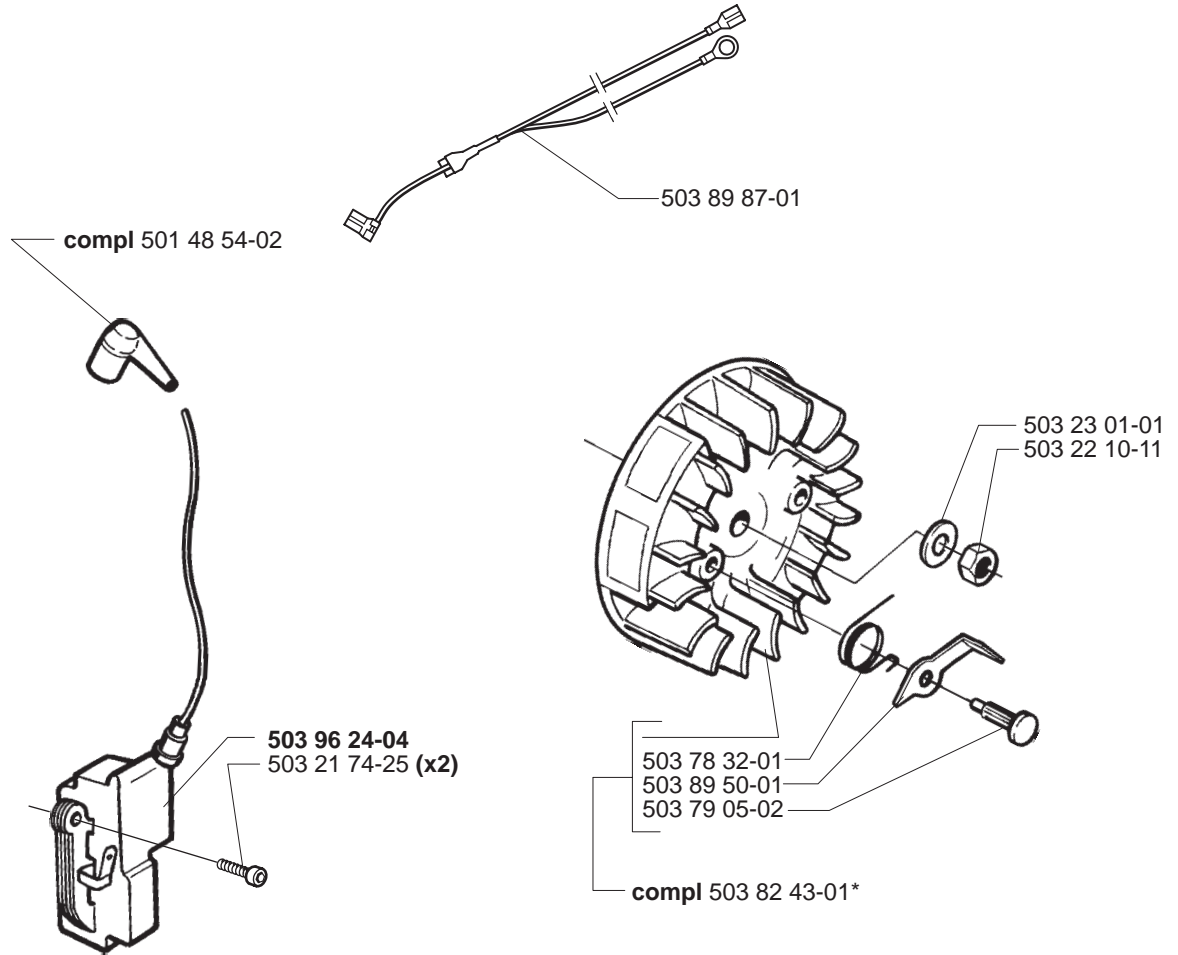


J

*compl 503 86 37-71

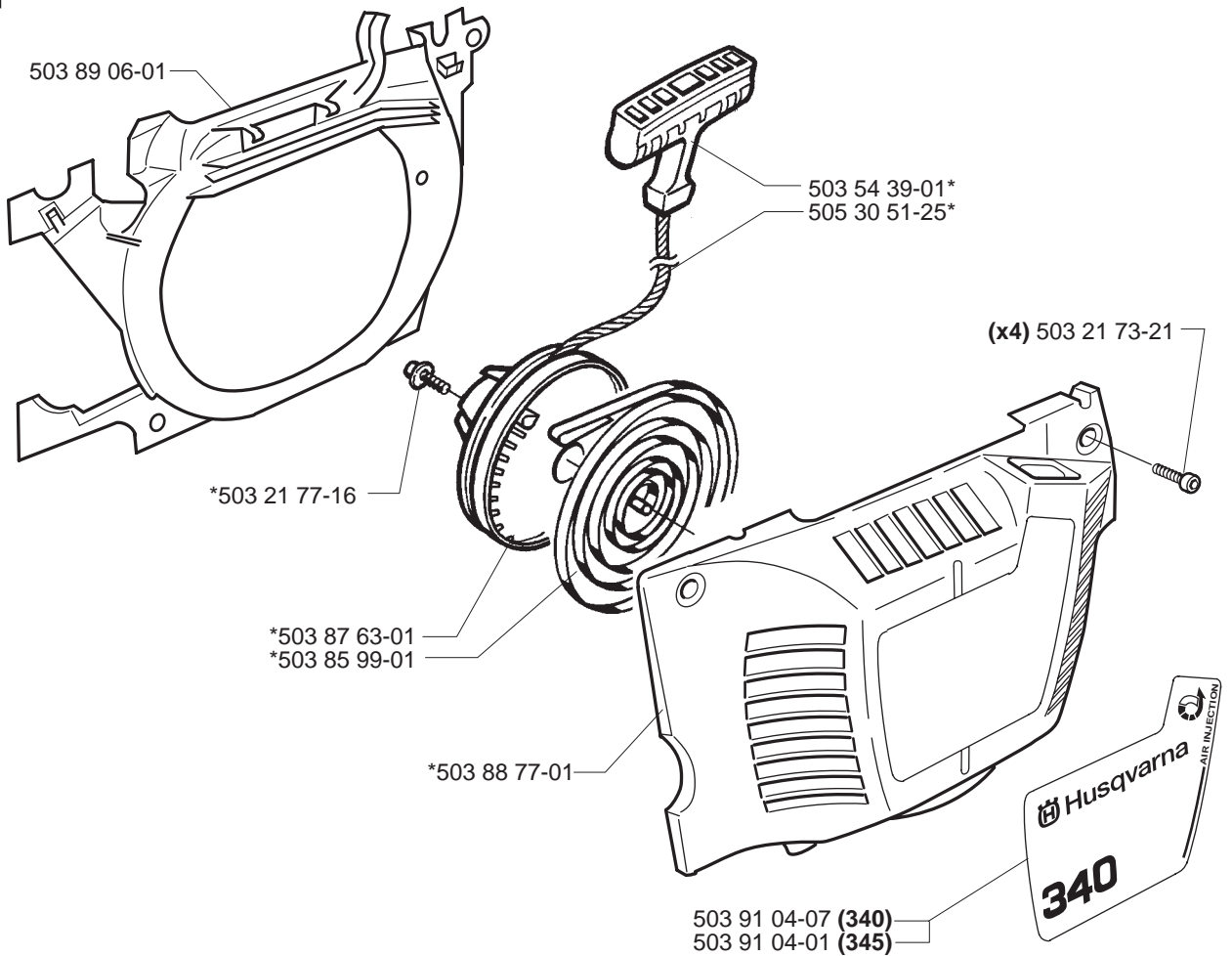
**K**

L

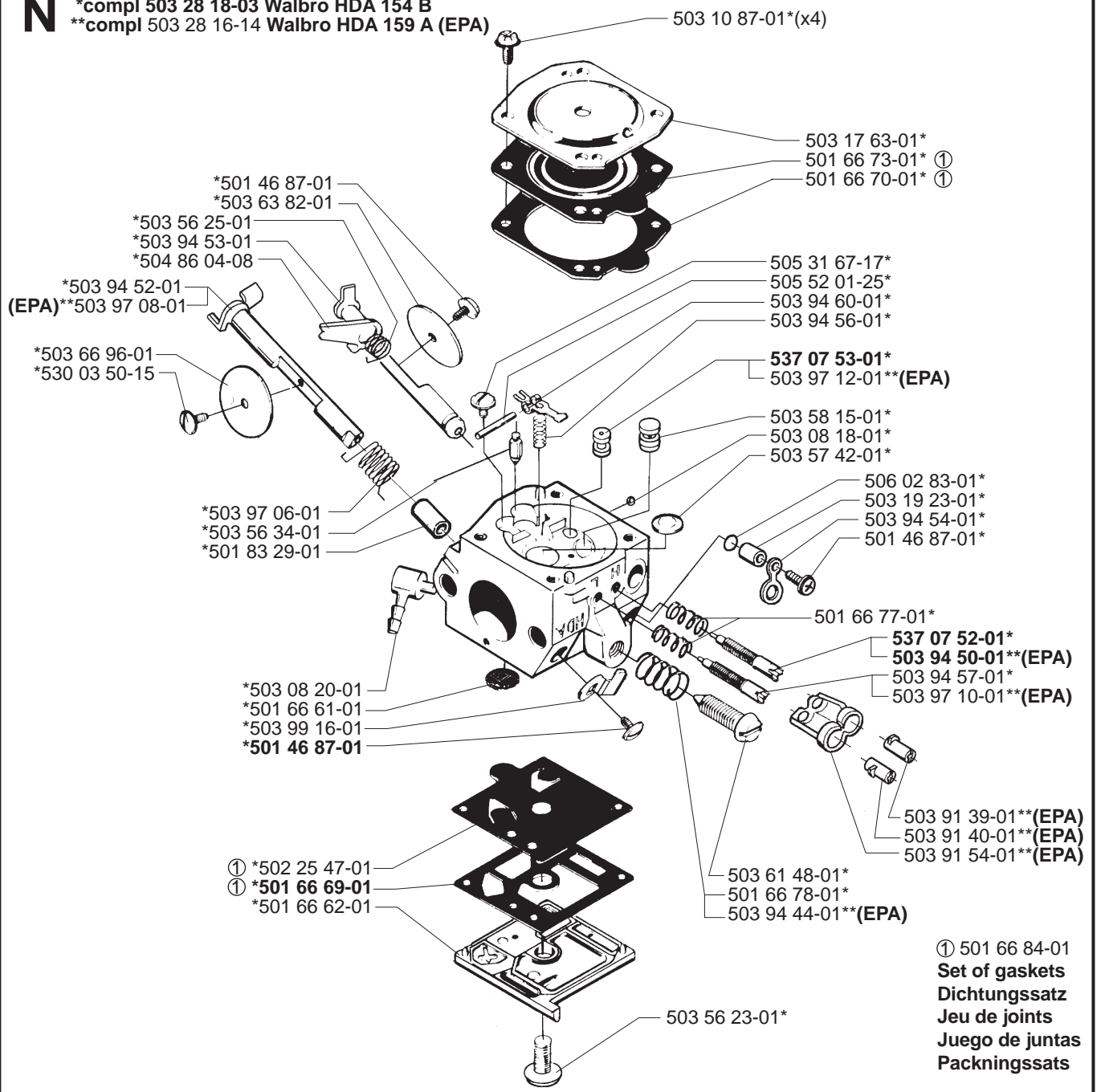


M

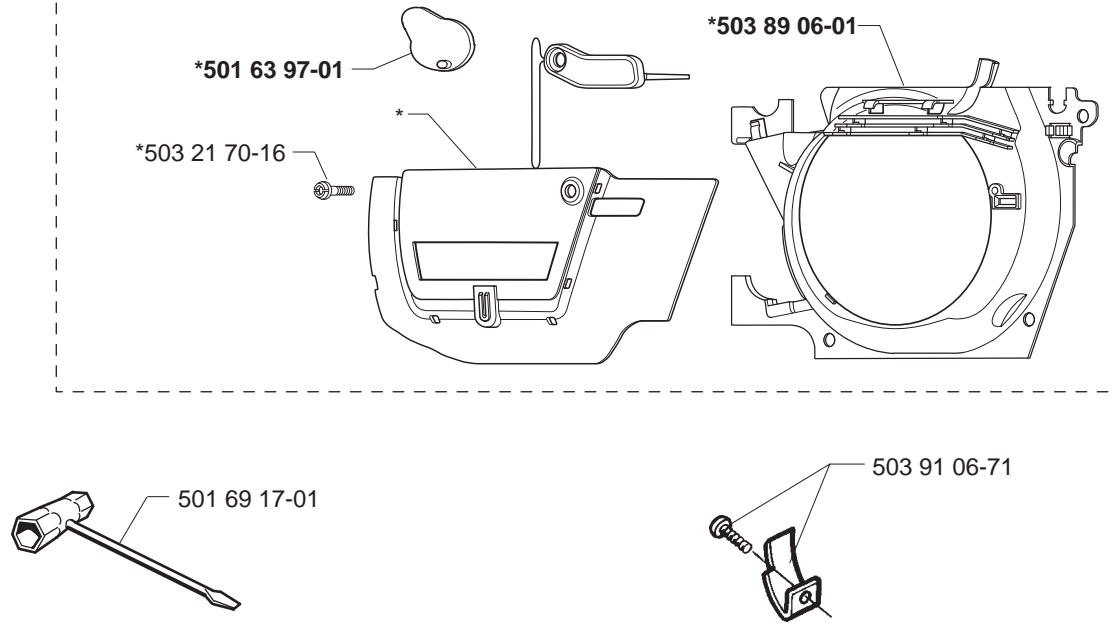
*compl 503 88 76-01



N *compl 503 28 18-03 Walbro HDA 154 B
 **compl 503 28 16-14 Walbro HDA 159 A (EPA)



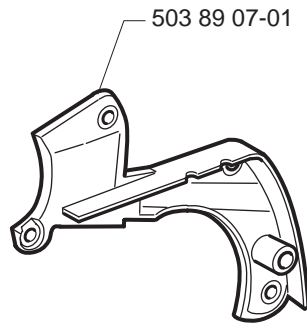
P *compl 537 04 28-71 WINTER KIT



Q



Up to 991499999 (1999)



MODEL 340, 345, 340 EPA, 345 EPA

PART NUMBER	SQUARE	NOTE	PART NUMBER	SQUARE	NOTE	PART NUMBER	SQUARE	NOTE	PART NUMBER	SQUARE	NOTE
501 45 16-01	DE		503 82 43-01	L		503 92 76-01	B				
501 45 41-01	H	340	503 85 09-01	A		503 93 18-01	B				
501 46 87-01	N		503 85 15-02	H	N	503 93 21-01	B				
501 48 54-02	L		503 85 37-01	K		503 93 23-01	E				
501 54 63-01	H	340	503 85 41-01	J		503 94 44-01	N	EPA			
501 62 68-01	H		503 85 44-01	J		503 94 50-01	N	N.EPA			
501 62 98-01	J		503 85 45-01	J		503 94 52-01	N				
501 63 97-01	P	N	503 85 48-01	B		503 94 53-01	N				
501 66 61-01	N		503 85 52-01	A		503 94 54-01	N				
501 66 62-01	N		503 85 53-01	G	N	503 94 56-01	N				
501 66 69-01	N	N1	503 85 53-02	G		503 94 57-01	N				
501 66 70-01	N	1	503 85 53-03	G		503 94 60-01	N				
501 66 73-01	N	1	503 85 66-01	A		503 96 24-04	L	N			
501 66 77-01	N		503 85 80-71	E		503 97 06-01	N				
501 66 78-01	N		503 85 99-01	M		503 97 08-01	N	EPA			
501 66 84-01	N	1COMPL	503 86 25-01	D		503 97 10-01	N	EPA			
501 69 17-01	P		503 86 28-02	F		503 97 12-01	N	EPA			
501 81 96-02	J		503 86 36-01	F		503 97 13-01	D				
501 83 29-01	N		503 86 37-71	J		503 98 74-01	C	N			
502 25 47-01	N	1	503 86 62-01	G		503 99 16-01	N				
503 08 18-01	N		503 86 63-01	G		503 99 86-01	J				
503 08 20-01	N		503 86 64-01	G		504 86 04-08	N				
503 10 87-01	N		503 86 91-01	H	345	505 30 51-25	M				
503 17 63-01	N		503 86 92-01	H		505 31 67-17	N				
503 19 23-01	N		503 86 93-01	H		505 52 01-25	N				
503 20 05-32	D	N	503 86 94-01	G		506 02 83-01	N				
503 20 29-87	F		503 86 95-01	G		530 03 50-15	N				
503 20 34-25	C		503 86 96-01	G		537 02 90-01	G				
503 21 51-01	H	N	503 86 97-01	G		537 04 03-01	H	N			
503 21 70-10	AH		503 87 00-75	D	N340	537 04 28-71	P	N			
503 21 70-16	P		503 87 01-71	D	340	537 04 30-01	A	N			
503 21 73-21	M		503 87 02-75	D	N345	537 07 52-01	N	N			
503 21 74-12	H		503 87 30-71	B		537 07 53-01	N	N			
503 21 74-25	L		503 87 54-01	H		720 12 40-20	J	N			
503 21 74-50	G		503 87 55-01	H		724 12 87-59	F	N			
503 21 75-20	H		503 87 57-01	H		735 31 08-20	A				
503 21 77-16	M		503 87 59-01	H		737 44 10-00	D				
503 21 88-16	K		503 87 63-01	M							
503 21 88-25	JK		503 87 94-01	H	340						
503 22 00-01	A		503 87 96-01	F							
503 22 10-11	L		503 88 54-01	H	345						
503 22 69-01	H		503 88 72-01	H							
503 23 01-01	L		503 88 76-01	M							
503 23 51-08	D		503 88 77-01	M							
503 24 09-05	B	N	503 88 86-01	H							
503 25 52-01	B		503 88 92-01	G							
503 26 30-17	J		503 89 06-01	MP							
503 28 16-14	GN	EPA	503 89 07-01	Q							
503 28 18-03	GN	N	503 89 07-02	A	N						
503 28 90-03	D	340	503 89 08-01	A							
503 28 90-05	D	345	503 89 18-02	A	N						
503 43 65-01	H		503 89 24-01	H							
503 44 32-01	J		503 89 29-01	A							
503 46 59-01	A		503 89 30-01	A							
503 54 39-01	M		503 89 50-01	L							
503 56 23-01	N		503 89 60-01	G							
503 56 25-01	N		503 89 64-01	A							
503 56 34-01	N		503 89 83-01	K							
503 57 42-01	N		503 89 87-01	L							
503 57 76-02	J		503 90 39-01	H							
503 57 89-01	HJ	N	503 90 59-01	H							
503 58 15-01	N		503 90 73-71	D	345						
503 60 04-01	J		503 91 04-01	M	345						
503 61 48-01	N		503 91 04-07	M	340						
503 63 82-01	N		503 91 05-01	C							
503 66 96-01	N		503 91 06-71	P							
503 78 32-01	L		503 91 39-01	N	EPA						
503 79 05-02	L		503 91 40-01	N	EPA						
503 81 56-01	B		503 91 54-01	N	EPA						
503 81 59-01	B		503 92 60-01	D							

1 = 501 66 84-01 Set of gaskets
 Dichtungssatz
 Jeu de joints
 Juego de juntas
 Packningssats

N = New part
 Neues teil
 Nouvelle piece
 Nueva pieza
 Ny detalj

EPA = Environmental Protection Agency