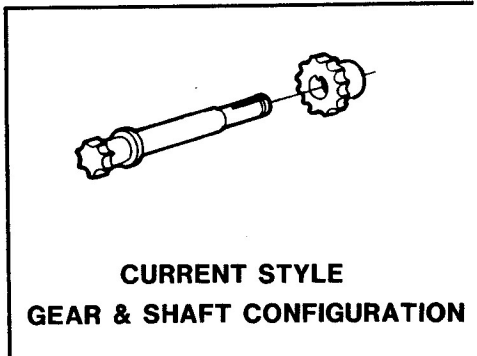
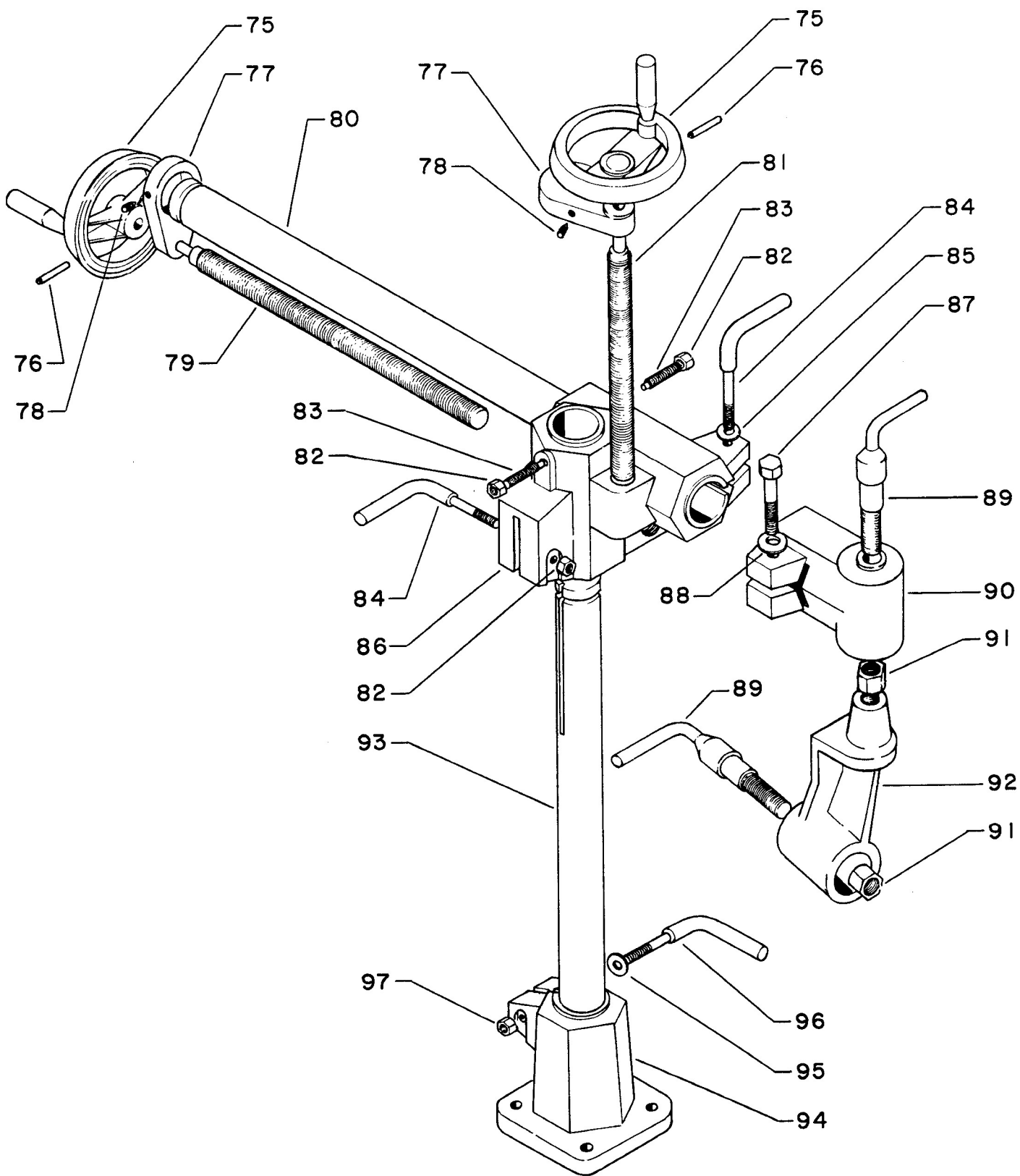


USE PART No. 999-01-013-12 10 OIL

USE PART No. 999-02-023-12 13 GREASE





34-986 SUPPORT STAND & 34-989 BASE ASSEMBLY