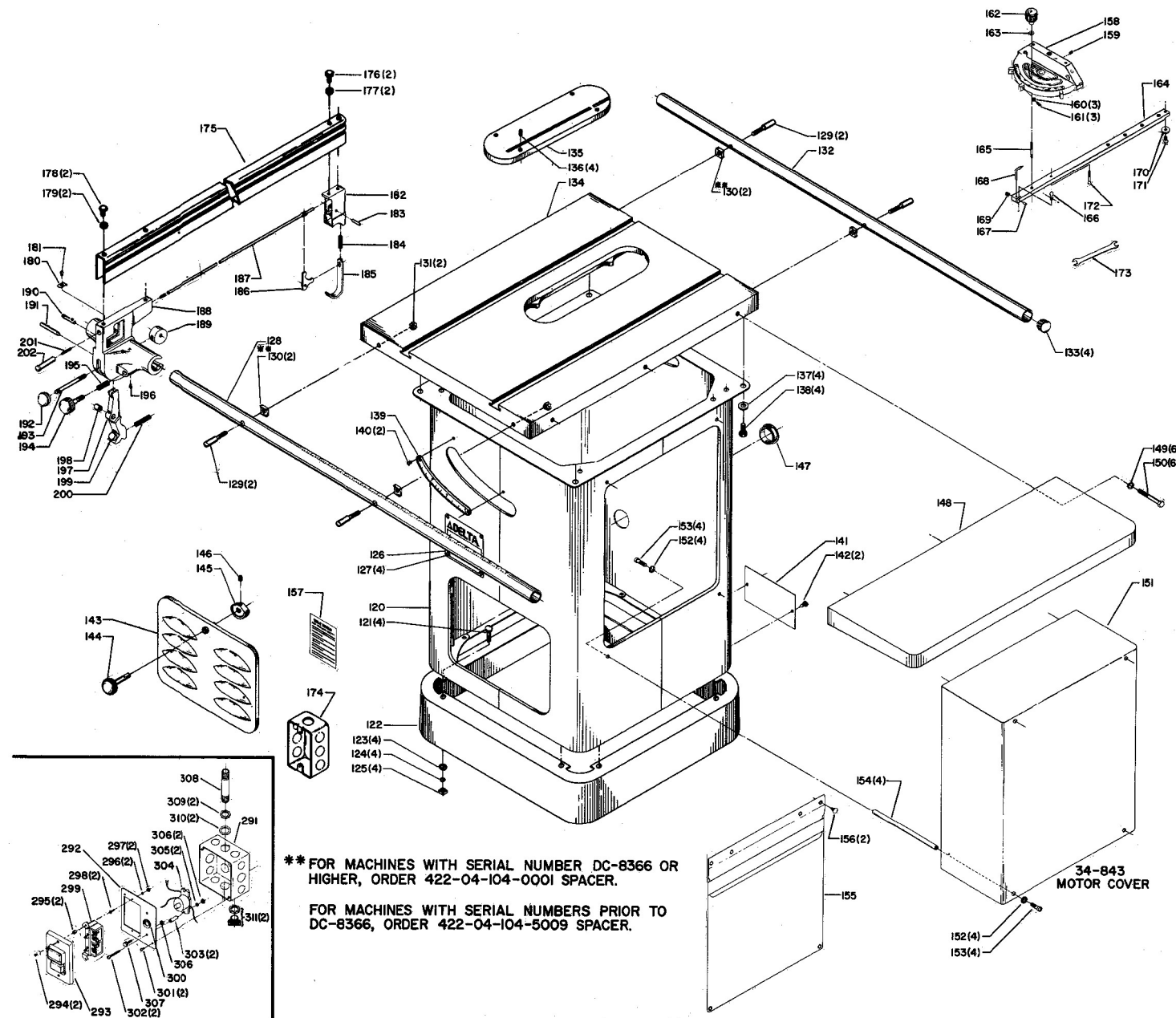


920-08-040-5344

920-04-020-5335

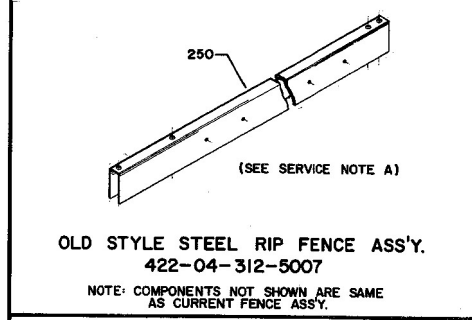
** WHEN REPLACING THE BEARINGS USED IN THE ARBOR BRACKET ASSEMBLY, THE CUSTOMER MUST ORDER THE PROPER BEARING. MOST OLDER MODELS OF THE UNISAW USE THE 920-08-040-5344 BEARING, WITH EXTENDED INNER RACE. NEWER MODELS USE THE 920-04-020-5335 BEARING. SPACER 422-04-104-5001 MUST BE USED WITH BEARING 920-08-040-5344. SPACER 422-04-104-0002 MUST BE USED WITH BEARING 920-04-020-5335.



** FOR MACHINES WITH SERIAL NUMBER DC-8366 OR HIGHER, ORDER 422-04-104-0001 SPACER.

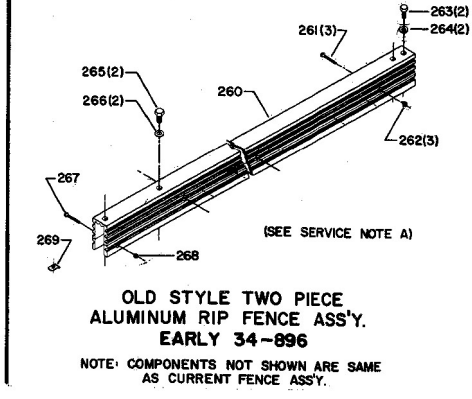
FOR MACHINES WITH SERIAL NUMBERS PRIOR TO DC-8366, ORDER 422-04-104-5009 SPACER.

OLD STYLE RIP FENCE ASS'Y. 422-04-355-0001



OLD STYLE STEEL RIP FENCE ASS'Y. 422-04-312-5007

NOTE: COMPONENTS NOT SHOWN ARE SAME AS CURRENT FENCE ASS'Y.



OLD STYLE TWO PIECE ALUMINUM RIP FENCE ASS'Y. EARLY 34-896

NOTE: COMPONENTS NOT SHOWN ARE SAME AS CURRENT FENCE ASS'Y.