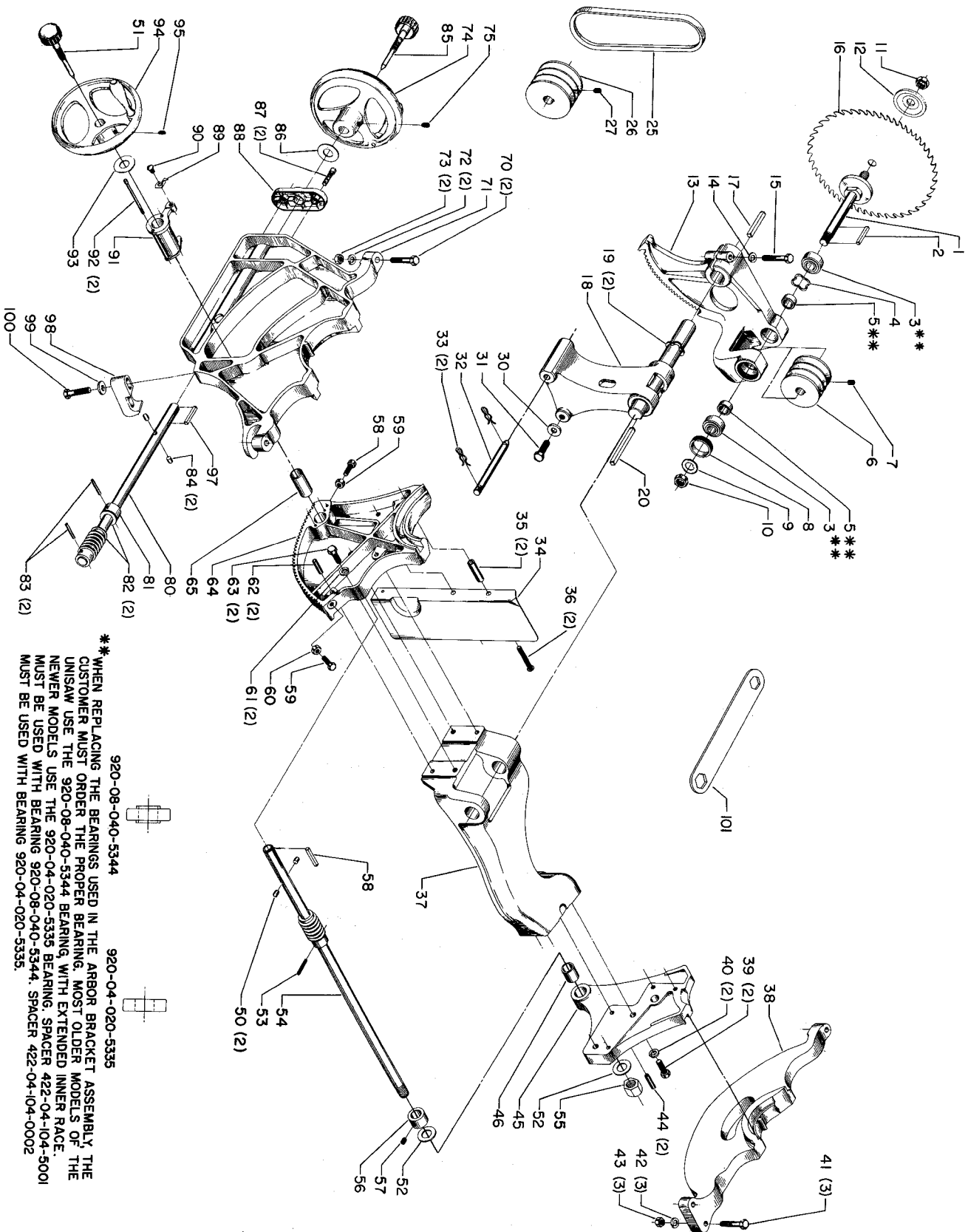
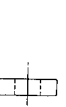
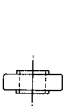


10" TILTING ARBOR UNISAW

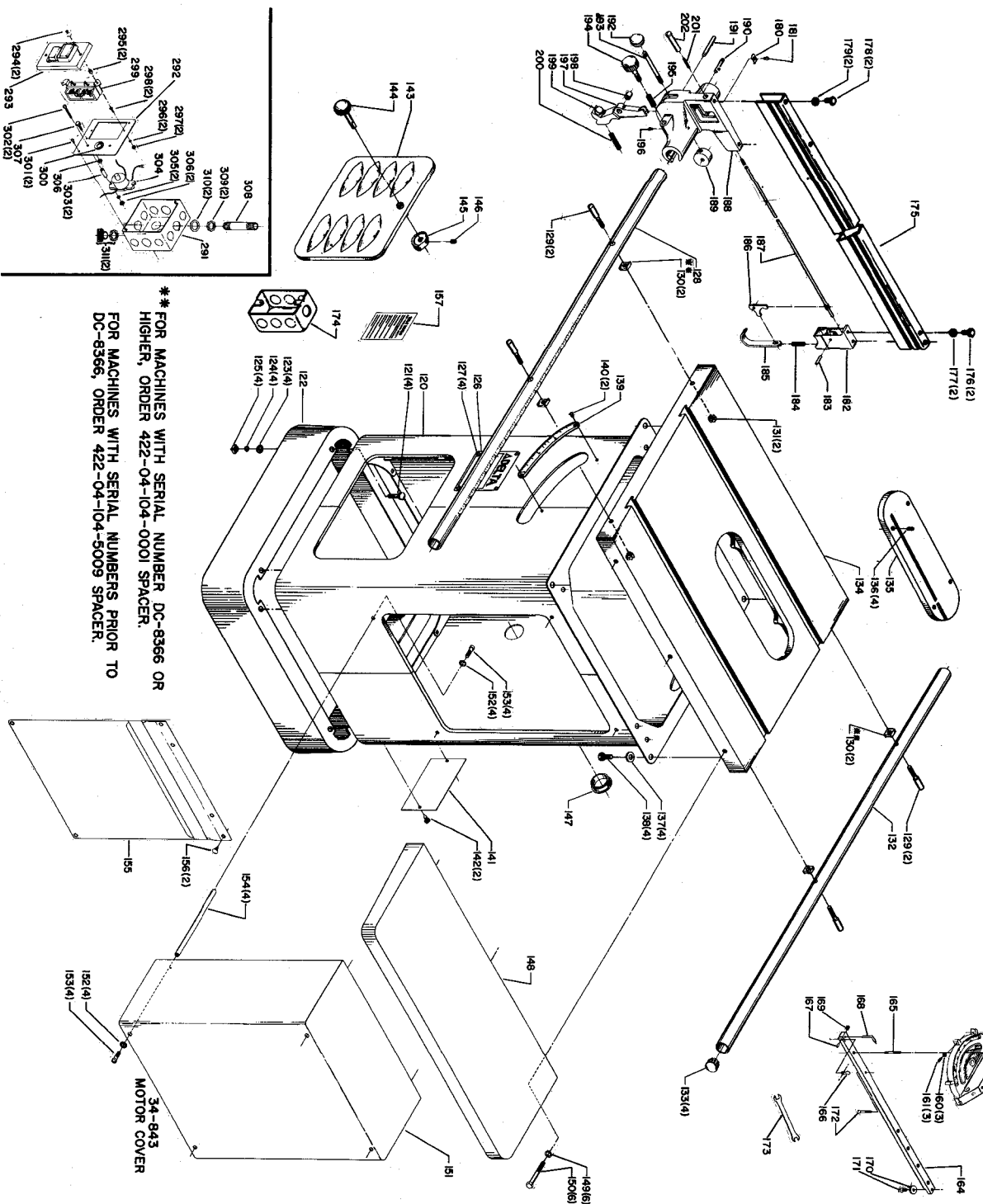


** WHEN REPLACING THE BEARINGS USED IN THE ARBOR BRACKET ASSEMBLY, THE CUSTOMER MUST ORDER THE PROPER BEARING. MOST OLDER MODELS OF THE UNISAW USE THE 920-08-040-5344 BEARING, WITH EXTENDED INNER RACE. NEWER MODELS USE THE 920-04-020-5335 BEARING. SPACER 422-04-104-5001 MUST BE USED WITH BEARING 920-08-040-5344. SPACER 422-04-104-0002 MUST BE USED WITH BEARING 920-04-020-5335.

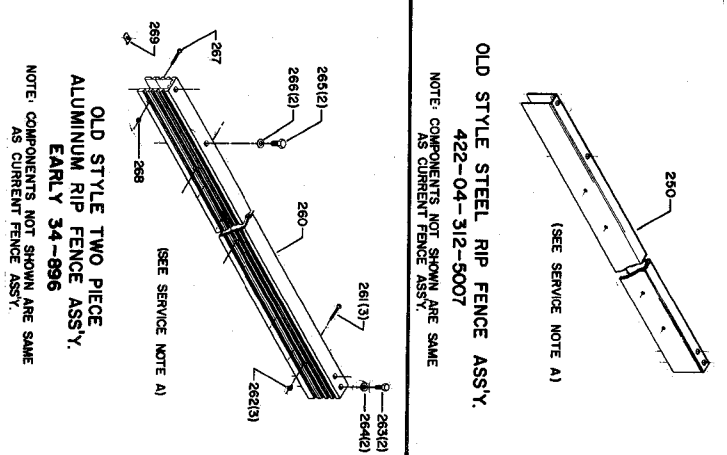


920-08-040-5344

920-04-020-5335



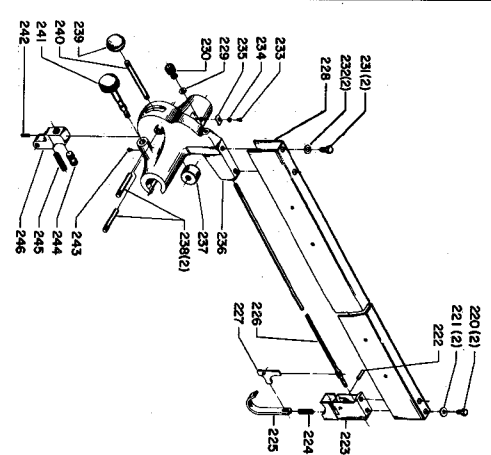
** FOR MACHINES WITH SERIAL NUMBER DC-8366 OR
 HIGHER, ORDER 422-04-104-0001 SPACER.
 FOR MACHINES WITH SERIAL NUMBERS PRIOR TO
 DC-8366, ORDER 422-04-104-5009 SPACER.



OLD STYLE STEEL RIP FENCE ASS'Y.
 422-04-312-8007
 NOTE: COMPONENTS NOT SHOWN ARE SAME
 AS CURRENT FENCE ASSY.

**OLD STYLE TWO PIECE
 ALUMINUM RIP FENCE ASS'Y.**
 EARLY 34-896
 NOTE: COMPONENTS NOT SHOWN ARE SAME
 AS CURRENT FENCE ASSY.

OLD STYLE RIP FENCE ASS'Y. 422-04-355-0001



(SEE SERVICE NOTE A)

Parts List for 34-450 Type 1

| Item Number | Part Number | Description | Qty Required |
|-------------|---------------|---------------------|--------------|
| 1 | 422043030003S | ARBOR & FLANGE | 1 |
| 2 | 927030202660S | KEY | 1 |
| 3 | 920040205335 | BEARING | 1 |
| 3 | 920080405344 | BEARING | 1 |
| 4 | 928060207382S | LOAD SPRING | 1 |
| 5 | 422041040002S | SPACER | 1 |
| 5 | 000000-00 | No Longer Available | 1 |
| 6 | 422041300003S | ARBOR PULLEY | 1 |
| 7 | A10686 | SCREW | 1 |
| 8 | 902070207176S | BEARING CLOSURE NUT | 1 |
| 9 | 904050106664 | LOCKWASHER | 1 |
| 10 | 902012009847S | SPECIAL NUT | 1 |
| 11 | 902012009848S | ARBOR NUT-LH | 1 |
| 12 | 422041035001S | FLANGE | 1 |
| 13 | 422043145002S | ARBOR BRACKET | 1 |
| 13 | 422043145003S | ARBOR BRACKET | 1 |
| 14 | 904020201704S | LOCK WASHER | 1 |
| 15 | 901010603102S | CAP SCREW | 1 |
| 16 | 000000-00 | No Longer Available | 1 |
| 17 | 927030102653S | KEY | 1 |
| 18 | 422043145004 | MOTOR BRACKET | 1 |
| 19 | 000000-00 | No Longer Available | 2 |
| 20 | 927030102657S | KEY | 1 |
| 25 | 5140043-25 | 3V-BLTS 4L 261/16 | 1 |
| 26 | 41-644 | HD 3GROOVE PULLY | 1 |
| 27 | A10686 | SCREW | 1 |
| 30 | 904100312097S | SPECIAL WASHER | 1 |

Parts List for 34-450 Type 1

| Item Number | Part Number | Description | Qty Required |
|-------------|---------------|----------------------|--------------|
| 31 | 901010600664S | CAP SCREW | 1 |
| 32 | 422040715001S | STEEL PIN | 1 |
| 33 | 422040795001S | SPRING CLIP | 2 |
| 34 | 422040365001 | DEFLECTOR | 1 |
| 35 | 422041045005 | SLEEVE | 2 |
| 36 | 000000-00 | No Longer Available | 2 |
| 37 | 422041025002 | YOKE | 1 |
| 38 | 422040140051S | TRUNNION BRACKET | 1 |
| 39 | 901010600642 | CAP SCREW | 2 |
| 40 | 904020201704S | LOCK WASHER | 2 |
| 41 | 901010600682 | CAP SCREW | 3 |
| 42 | 904020201704S | LOCK WASHER | 3 |
| 43 | 902010101207 | HEX NUT | 3 |
| 44 | 905010102734 | ROLL PIN | 2 |
| 45 | 422043955002 | REAR TRUNNION | 1 |
| 46 | 920750113934 | BEARING | 1 |
| 50 | 422040740001S | PLUG | 2 |
| 51 | 422044120009S | LOCK KNOB | 1 |
| 52 | 904010213577S | FIBER WASHER | 1 |
| 53 | 905010102715 | ROLL PIN | 1 |
| 54 | 422044065002 | RAISING SHAFT | 1 |
| 54 | A09527S | SS/A-ELEV SHAFT/GEAR | 1 |
| 55 | 902012101036S | HEX NUT | 1 |
| 56 | 434014040001 | COLLAR W SCRW | 1 |
| 57 | 901041500206 | SET SCREW | 1 |
| 58 | 927030202660S | KEY | 1 |
| 59 | 901010600663 | CAP SCREW | 1 |

Parts List for 34-450 Type 1

| Item Number | Part Number | Description | Qty Required |
|-------------|---------------|-------------------|--------------|
| 60 | 902010201228 | HEX JAM NUT | 1 |
| 61 | 904020201704S | LOCK WASHER | 2 |
| 62 | 905010102734 | ROLL PIN | 2 |
| 63 | 901010600642 | CAP SCREW | 2 |
| 64 | 422043955001 | FRONT TRUNNION | 1 |
| 65 | 920750113935S | BUSHING | 1 |
| 70 | 901010600682 | CAP SCREW | 2 |
| 71 | 422040145001 | FRONT BRACKET | 1 |
| 72 | 904020201704S | LOCK WASHER | 2 |
| 73 | 902010101207 | HEX NUT | 2 |
| 74 | 930039913524 | HAND WHEEL | 1 |
| 75 | 901041500206 | SET SCREW | 1 |
| 80 | 422044065001S | TILT SHAFT W/WORM | 1 |
| 81 | 904100314509S | COLLAR | 1 |
| 82 | 904010213577S | FIBER WASHER | 2 |
| 83 | 905010102715 | ROLL PIN | 2 |
| 84 | 422040740001S | PLUG | 2 |
| 85 | 422044120009S | LOCK KNOB | 1 |
| 86 | 904070105569 | FIBRE WASHER | 1 |
| 87 | 901020500707 | MACHINE SCREW | 2 |
| 88 | 422040310015 | COVER PLATE | 1 |
| 89 | 422040755001S | POINTER | 1 |
| 90 | 901020100520 | MACHINE SCREW | 1 |
| 91 | 422040145008S | POINTER BRACKET | 1 |
| 92 | 919714 | SHEET MTL SCR | 2 |
| 93 | 904070105569 | FIBRE WASHER | 1 |
| 94 | 930039913524 | HAND WHEEL | 1 |

Parts List for 34-450 Type 1

| Item Number | Part Number | Description | Qty Required |
|-------------|---------------|----------------------|--------------|
| 95 | 901041500206 | SET SCREW | 1 |
| 97 | 927030202660S | KEY | 1 |
| 98 | 422040550006 | GUIDE BLOCK | 1 |
| 99 | 904100312097S | SPECIAL WASHER | 1 |
| 100 | 901010600681 | CAP SCREW | 1 |
| 101 | 000000-00 | No Longer Available | 1 |
| 120 | 422043180001 | KIT | 1 |
| 121 | 901110200830S | CARRIAGE BOLT | 4 |
| 122 | 1087066 | BASE | 1 |
| 123 | 904010101620S | WASHER | 4 |
| 124 | 904020101703S | LOCK WASHER | 4 |
| 125 | 902020401303S | SQUARE NUT | 4 |
| 126 | 000000-00 | No Longer Available | 1 |
| 127 | 901064502250S | DRIVE SCREW | 4 |
| 128 | 422040550001 | FRONT GUIDE RAIL | 1 |
| 129 | 422041125007 | SPECIAL SCREW | 4 |
| 130 | 422041045009 | SADDLE BLOCK | 4 |
| 130 | 422041040001 | SPACER | 4 |
| 131 | 902010101207 | HEX NUT | 2 |
| 132 | 422040550002 | REAR GUIDE RAIL | 1 |
| 133 | 961010107462 | END PLUG | 4 |
| 134 | 422043910003S | TABLE | 1 |
| 135 | 34-154 | STD INS 10IN CONT SW | 1 |
| 136 | 901044615297 | SCREW | 4 |
| 137 | 904100312097S | SPECIAL WASHER | 4 |
| 138 | 901010600680 | CAP SCREW | 4 |
| 139 | 000000-00 | No Longer Available | 1 |

Parts List for 34-450 Type 1

| Item Number | Part Number | Description | Qty Required |
|-------------|---------------|---------------------|--------------|
| 140 | 901061317359 | SELF TAP SCREW | 2 |
| 141 | 000000-00 | No Longer Available | 1 |
| 142 | 000000-00 | No Longer Available | 2 |
| 143 | 000000-00 | No Longer Available | 1 |
| 143 | 000000-00 | No Longer Available | 1 |
| 144 | 422044065004 | LOCK PIN | 1 |
| 145 | 422040195001 | CAM | 1 |
| 146 | 901041500206 | SET SCREW | 1 |
| 147 | 438010110020 | INSULATOR | 1 |
| 148 | 000000-00 | No Longer Available | 1 |
| 149 | 904020101716 | LOCK WASHER | 6 |
| 150 | 901010600664S | CAP SCREW | 6 |
| 151 | 422043310014 | MOTOR COVER | 1 |
| 152 | 904030201750 | LOCK WASHER | 8 |
| 153 | 901020500707 | MACHINE SCREW | 8 |
| 154 | 000000-00 | No Longer Available | 4 |
| 155 | 400066030003S | ENVELOPE | 1 |
| 156 | 400060790001 | RETAINER | 2 |
| 157 | 422167540003 | WARNING LABEL | 1 |
| 158 | 422013550004 | MITER GAGE BODY | 1 |
| 158 | 34-895 | MITER GAUGE | 1 |
| 159 | 000000-00 | No Longer Available | 1 |
| 160 | 901041509428S | SET SCREW | 3 |
| 161 | 901041509428S | SET SCREW | 3 |
| 162 | 422020600003S | HANDLE | 1 |
| 163 | 904070105555S | FIBRE WSHR | 1 |
| 164 | 34-895 | MITER GAUGE | 1 |

Parts List for 34-450 Type 1

| Item Number | Part Number | Description | Qty Required |
|-------------|---------------|---------------------|--------------|
| 165 | 901072613237 | STUD | 1 |
| 166 | 34-895 | MITER GAUGE | 1 |
| 167 | 905010331754 | ROLL PIN | 1 |
| 168 | 422010750001S | POINTER | 2 |
| 169 | 000000-00 | No Longer Available | 1 |
| 170 | 422040720001S | PLATE | 1 |
| 171 | 901020305750S | MACHINE SCREW | 1 |
| 172 | 422011120001S | SCREW | 1 |
| 173 | 000000-00 | No Longer Available | 1 |
| 174 | 438010010036 | SWITCH BOX | 1 |
| 175 | 000000-00 | No Longer Available | 1 |
| 175 | 422190430001 | FENCE BODY | 1 |
| 176 | 901010600605 | CAP SCREW | 2 |
| 177 | 904010101604S | STEEL WASHER | 2 |
| 178 | 901010600677 | CAP SCREW | 2 |
| 179 | 904010331451 | WASHER | 2 |
| 180 | 951010207849 | POINTER | 1 |
| 181 | 491948-00 | SCREW | 1 |
| 182 | 422040105002 | REAR SLIDE BLOCK | 1 |
| 183 | 905040714459 | STEEL PIN | 1 |
| 184 | 928010414118 | COIL SPRING | 1 |
| 185 | 422040270001 | HOOK | 1 |
| 186 | 422040675001 | LEVER | 1 |
| 187 | 422041085001 | ROD | 1 |
| 188 | 422040125005 | FRONT CLAMP BODY | 1 |
| 188 | 422043125008 | FRONT CLAMP | 1 |
| 189 | 000000-00 | No Longer Available | 1 |

Parts List for 34-450 Type 1

| Item Number | Part Number | Description | Qty Required |
|-------------|---------------|---------------------|--------------|
| 190 | 422040715005 | PIN | 1 |
| 191 | 422040715004 | PIN | 1 |
| 192 | 931010114091 | BALL HANDLE | 1 |
| 193 | 422041115002 | LEVER | 1 |
| 194 | 422043515002S | KNOB & PINION | 1 |
| 195 | 928012015898 | SPRING | 1 |
| 196 | 901041606218 | SCREW | 1 |
| 197 | 422043275002 | FRONT CLAMP SHOE | 1 |
| 198 | 904080214550 | RUBBER BUSHING | 1 |
| 199 | 000000-00 | No Longer Available | 1 |
| 200 | 928010414123S | SPRING | 1 |
| 201 | 928010215301 | SPRING | 1 |
| 202 | 422041055001 | SLEEVE | 1 |
| 220 | 901010600629 | SCREW | 2 |
| 221 | 904010101620S | WASHER | 2 |
| 222 | 905040714459 | STEEL PIN | 1 |
| 223 | 422040105002 | REAR SLIDE BLOCK | 1 |
| 224 | 928010414118 | COIL SPRING | 1 |
| 225 | 422030270001 | HOOK | 1 |
| 226 | 422041085001 | ROD | 1 |
| 227 | 422040675001 | LEVER | 1 |
| 228 | 000000-00 | No Longer Available | 1 |
| 229 | 5140010-69 | WASHER | 1 |
| 230 | 1087534 | KNOB | 1 |
| 231 | 901010600677 | CAP SCREW | 2 |
| 232 | 904010331451 | WASHER | 2 |
| 233 | 491948-00 | SCREW | 1 |

Parts List for 34-450 Type 1

| Item Number | Part Number | Description | Qty Required |
|-------------|---------------|---------------------|--------------|
| 234 | 904010101610S | STEEL WASHER | 1 |
| 235 | 951010107802S | POINTER | 1 |
| 236 | 000000-00 | No Longer Available | 1 |
| 236 | 422040125001 | CLAMP BLOCK | 1 |
| 237 | 422040425001 | ECCENTRIC | 1 |
| 238 | 000000-00 | No Longer Available | 2 |
| 239 | 931010114091 | BALL HANDLE | 1 |
| 240 | 000000-00 | No Longer Available | 1 |
| 241 | 422043515002S | KNOB & PINION | 1 |
| 242 | 901041500202 | SET SCREW | 1 |
| 243 | 901020100569 | MACHINE SCREW | 1 |
| 244 | 422041125002 | SPECIAL SCREW | 1 |
| 245 | 928010414117 | COIL SPRING | 1 |
| 246 | 000000-00 | No Longer Available | 1 |
| 250 | 422190430001 | FENCE BODY | 1 |
| 260 | 000000-00 | No Longer Available | 1 |
| 261 | 000000-00 | No Longer Available | 3 |
| 262 | 902012231177 | NUT | 3 |
| 263 | 489047-00 | CAP SCREW | 2 |
| 264 | 904010101604S | STEEL WASHER | 2 |
| 265 | 901010600653 | CAP SCREW | 2 |
| 266 | 904010331451 | WASHER | 2 |
| 267 | 000000-00 | No Longer Available | 1 |
| 268 | 902012231177 | NUT | 1 |
| 269 | 000000-00 | No Longer Available | 1 |
| 291 | 000000-00 | No Longer Available | 1 |
| 292 | 438010210148 | SWITCH PLATE | 1 |

Parts List for 34-450 Type 1

| Item Number | Part Number | Description | Qty Required |
|-------------|---------------|---------------------|--------------|
| 293 | 1340100 | SWITCH COVER ASSY | 1 |
| 294 | 901020100567S | MACHINE SCREW | 2 |
| 295 | 402071045007S | SPACER | 2 |
| 296 | 904030201784 | WASHER | 2 |
| 297 | 902011209232 | HEX NUT | 2 |
| 298 | 402071115002S | STUD | 2 |
| 299 | 905224 | SWITCH | 1 |
| 299 | 422046260007 | OVERLOAD KIT | 1 |
| 300 | 000000-00 | No Longer Available | 1 |
| 301 | 901021603729 | PAN HD SCR | 2 |
| 302 | 901020500732 | MACHINE SCREW | 2 |
| 303 | 424030170003 | SPACER | 2 |
| 304 | 000000-00 | No Longer Available | 1 |
| 305 | 5140099-99 | LOCK WASHER | 2 |
| 306 | 902011201203S | HEX NUT | 4 |
| 307 | 901064231170S | HEX HD SCREW | 1 |
| 308 | 000000-00 | No Longer Available | 1 |
| 309 | 438010090001S | LOCK NUT | 2 |
| 310 | 000000-00 | No Longer Available | 2 |
| 311 | 438010040007S | CLAMP | 2 |
| 357 | 000000-00 | No Longer Available | 1 |
| 856 | 438010070009 | WIRE NUT | 1 |
| 856 | 000000-00 | No Longer Available | 1 |
| 856 | 438013020381 | CORD 230V. | 1 |