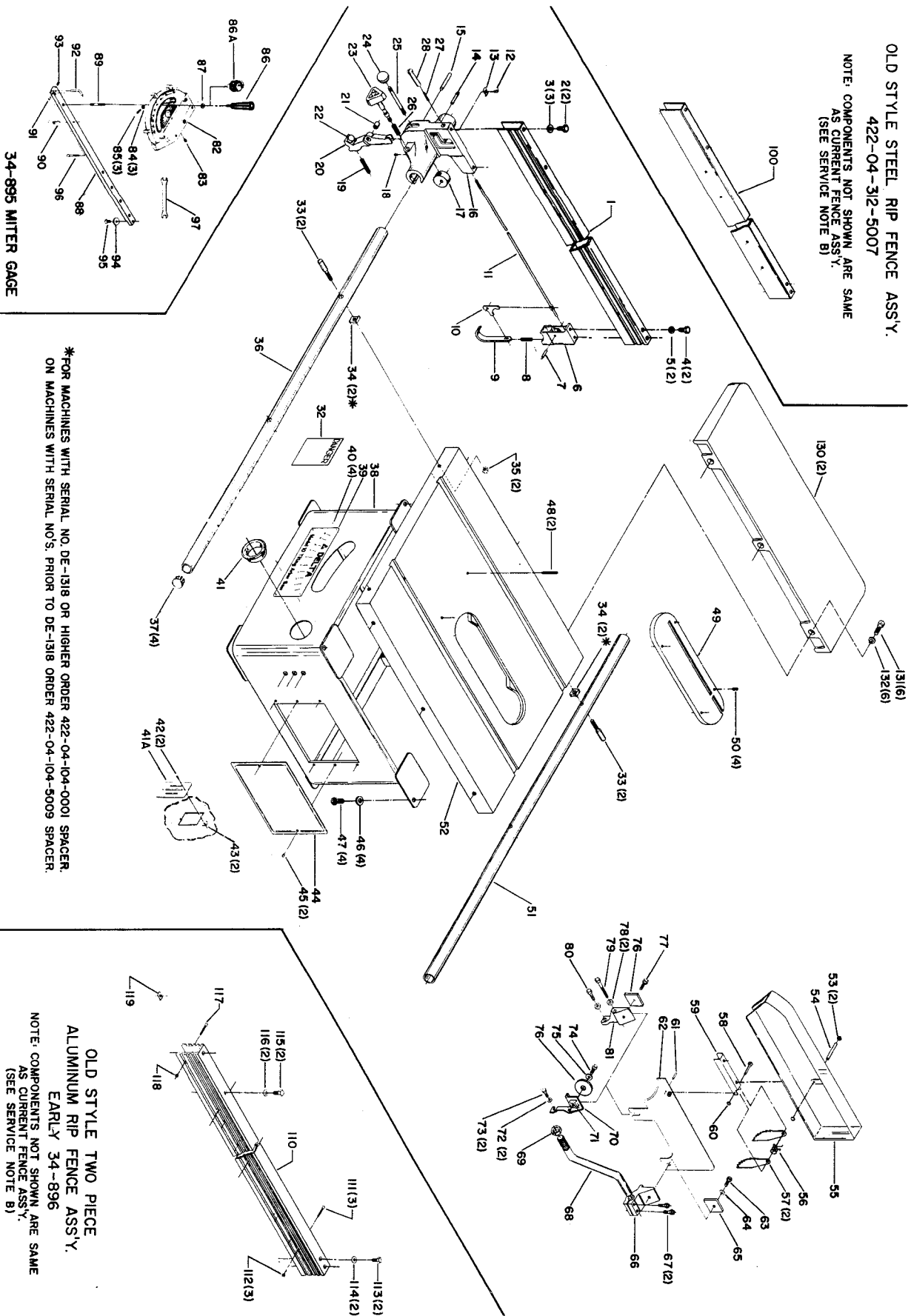


OLD STYLE STEEL RIP FENCE ASS'Y.

422-04-312-5007

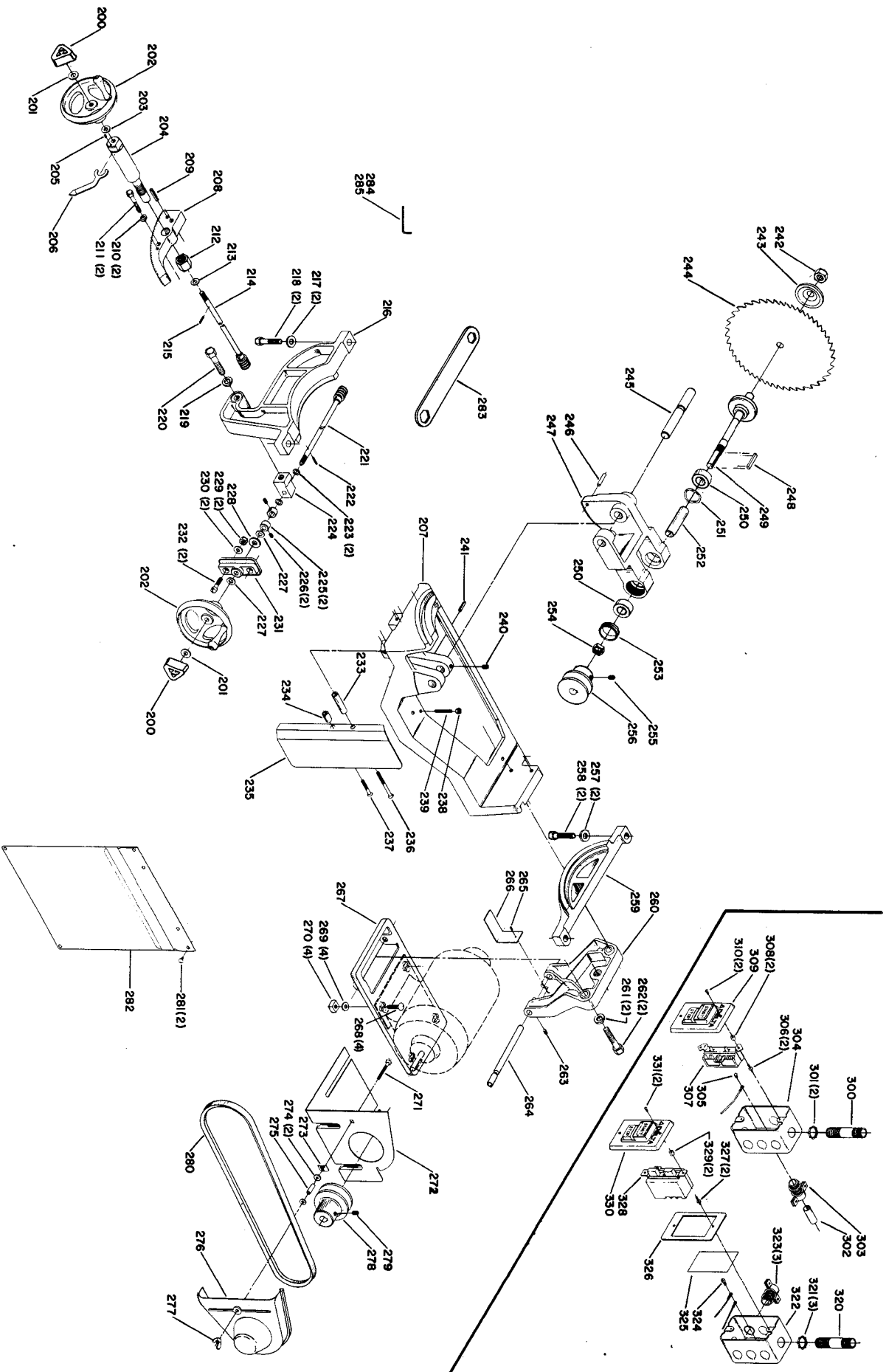
NOTE: COMPONENTS NOT SHOWN ARE SAME AS CURRENT FENCE ASS'Y. (SEE SERVICE NOTE B)

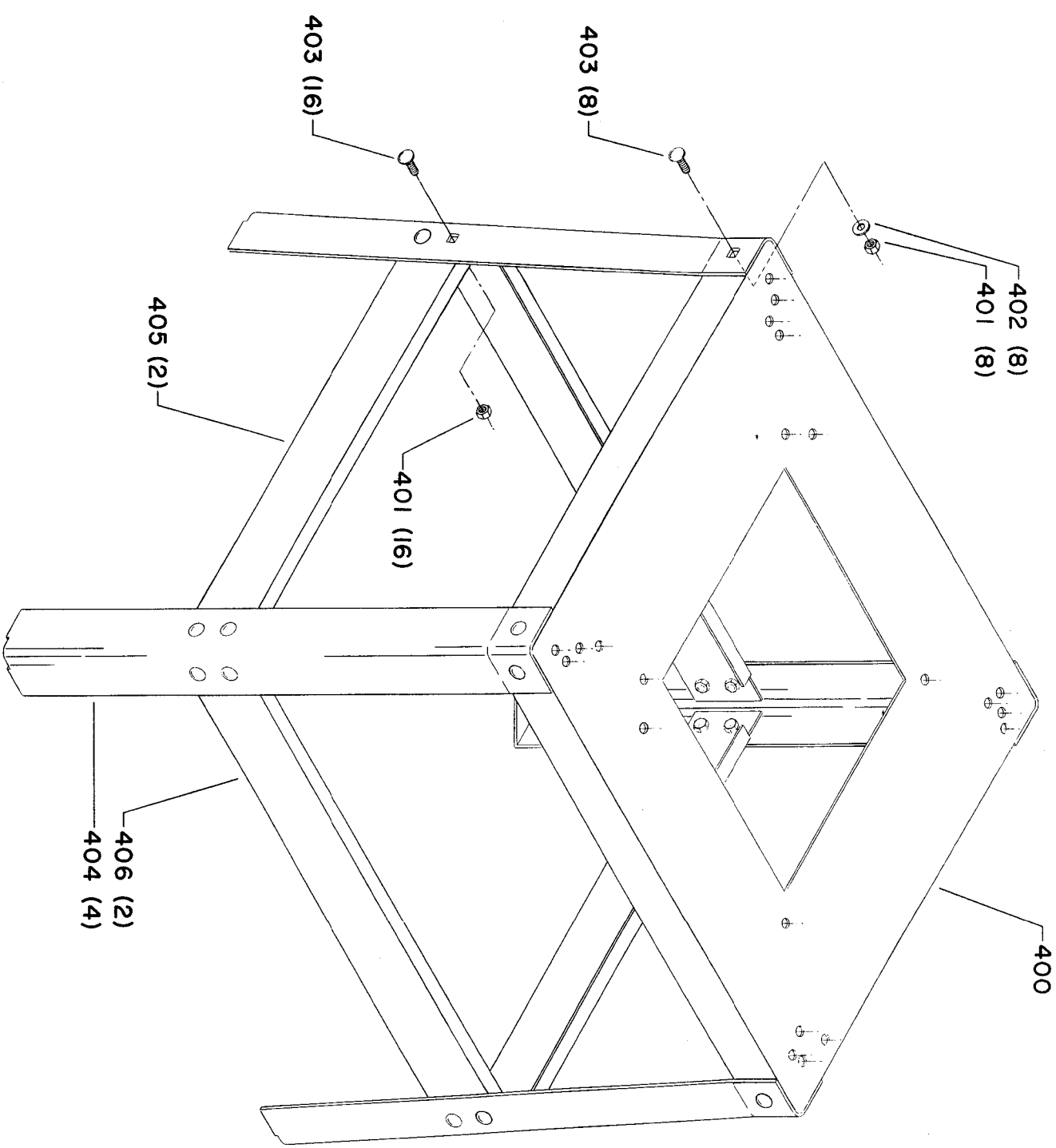


34-895 MITER GAGE

\*FOR MACHINES WITH SERIAL NO. DE-1318 OR HIGHER ORDER 422-04-104-0001 SPACER. ON MACHINES WITH SERIAL NO'S. PRIOR TO DE-1318 ORDER 422-04-104-5009 SPACER.

OLD STYLE TWO PIECE ALUMINIUM RIP FENCE ASS'Y.  
EARLY 34-896  
NOTE: COMPONENTS NOT SHOWN ARE SAME AS CURRENT FENCE ASS'Y. (SEE SERVICE NOTE B)





## Parts List for 34-430 Type 1

Item Number	Part Number	Description	Qty Required
1	422190430001	FENCE BODY	1
2	901010600677	CAP SCREW	2
3	904010331451	WASHER	3
4	901010600605	CAP SCREW	2
5	904010101604S	STEEL WASHER	2
6	422040105002	REAR SLIDE BLOCK	1
7	905040714459	STEEL PIN	1
8	928010414118	COIL SPRING	1
9	422040270001	HOOK	1
10	422040675001	LEVER	1
11	422041085001	ROD	1
12	491948-00	SCREW	1
13	951010207849	POINTER	1
14	422040715005	PIN	1
15	422040715004	PIN	1
16	422040125005	FRONT CLAMP BODY	1
16	422043125008	FRONT CLAMP	1
17	000000-00	No Longer Available	1
18	901041606218	SCREW	1
19	928010414123S	SPRING	1
20	422043275002	FRONT CLAMP SHOE	1
21	904080214550	RUBBER BUSHING	1
22	000000-00	No Longer Available	1
23	422043515002S	KNOB & PINION	1
24	931010114091	BALL HANDLE	1
25	422041115002	LEVER	1
26	928012015898	SPRING	1

## Parts List for 34-430 Type 1

Item Number	Part Number	Description	Qty Required
27	928010215301	SPRING	1
28	422041055001	SLEEVE	1
32	422167540003	WARNING LABEL	1
33	422041125007	SPECIAL SCREW	4
34	422041045009	SADDLE BLOCK	4
34	422041040001	SPACER	4
35	902010101207	HEX NUT	2
36	422040550001	FRONT GUIDE RAIL	1
37	961010107462	END PLUG	4
38	000000-00	No Longer Available	1
39	000000-00	No Longer Available	1
40	1087794	RIVET	4
41	438010110020	INSULATOR	1
41	402040310001S	SWITCH OPENING COVER	1
42	901020100564	MACHINE SCREW	2
43	000000-00	No Longer Available	2
44	000000-00	No Longer Available	1
45	908460	SCREW	2
46	904100313826	WASHER	4
47	901010600680	CAP SCREW	4
48	000000-00	No Longer Available	2
49	34-154	STD INS 10IN CONT SW	1
50	901044615297	SCREW	4
51	422040550002	REAR GUIDE RAIL	1
52	000000-00	No Longer Available	1
53	1086388S	PUSH NUT CAP	2
54	1087811S	PIN	1

## Parts List for 34-430 Type 1

Item Number	Part Number	Description	Qty Required
55	1086935	BLADE GUARD	1
55	1086334S	SEE THRU GUARD	1
56	1086353S	SPRING	1
57	422160470001S	KICK BACK FINGER	2
58	422040710007S	PIN	1
59	1086337S	PIVOT BRACKET	1
60	1086387S	PUSH NUT	1
61	905010106729S	PIN	1
62	422040860002S	SPLITTER W/BUSHING	1
63	489047-00	CAP SCREW	1
64	904010101604S	STEEL WASHER	1
65	422030720001S	PLATE	1
66	000000-00	No Longer Available	1
67	901010600608	CAP SCREW	2
68	000000-00	No Longer Available	1
69	902010209101	JAM NUT	1
70	422043140017	BRACKET ASSY	1
71	422043140017	BRACKET ASSY	1
72	5140010-69	WASHER	2
73	901010600612S	CAP SCREW	2
74	901010600649S	CAP SCREW	1
75	904010101604S	STEEL WASHER	1
76	422030720001S	PLATE	1
77	489047-00	CAP SCREW	1
78	5140010-69	WASHER	2
79	901010600622S	CAP SCREW	1
80	901010600603	CAP SCREW	1

## Parts List for 34-430 Type 1

Item Number	Part Number	Description	Qty Required
81	1086935	BLADE GUARD	1
82	422013550004	MITER GAGE BODY	1
83	000000-00	No Longer Available	1
84	901041509428S	SET SCREW	3
85	901041509428S	SET SCREW	3
86	422020600003S	HANDLE	1
86	422020600003S	HANDLE	1
87	904070105555S	FIBRE WSHR	1
88	34-895	MITER GAUGE	1
89	901072613237	STUD	1
90	34-895	MITER GAUGE	1
91	905010331754	ROLL PIN	1
92	422010750001S	POINTER	1
93	000000-00	No Longer Available	1
94	422040720001S	PLATE	1
95	901020305750S	MACHINE SCREW	1
96	422011120001S	SCREW	1
97	000000-00	No Longer Available	1
100	422190430001	FENCE BODY	1
100	000000-00	No Longer Available	1
110	000000-00	No Longer Available	1
111	000000-00	No Longer Available	3
112	902012231177	NUT	3
113	489047-00	CAP SCREW	2
114	904010101604S	STEEL WASHER	2
115	901010600653	CAP SCREW	2
116	904010331451	WASHER	2

## Parts List for 34-430 Type 1

Item Number	Part Number	Description	Qty Required
117	000000-00	No Longer Available	1
118	902012231177	NUT	1
119	000000-00	No Longer Available	1
130	000000-00	No Longer Available	1
131	901010600681	CAP SCREW	6
132	904020101716	LOCK WASHER	6
150	000000-00	No Longer Available	1
153	34-895	MITER GAUGE	1
200	422031380002S	KNOB	1
201	904010101615	STEEL WASHER	1
202	1086491	HANDWHEEL ASSY	1
203	904070105571S	FIBRE WASHER	1
204	000000-00	No Longer Available	1
205	901041900286	SET SCREW	1
206	422030750001	POINTER	1
207	000000-00	No Longer Available	1
208	000000-00	No Longer Available	1
209	905010102720	ROLL PIN	1
210	904020101703S	LOCK WASHER	2
211	901010600609S	CAP SCREW	2
212	422030790004	RETAINER	1
213	904070105554	WASHER	1
214	000000-00	No Longer Available	1
215	905010102711	ROLL PIN	1
216	000000-00	No Longer Available	1
217	904100313826	WASHER	2
218	901010600681	CAP SCREW	2



## Parts List for 34-430 Type 1

Item Number	Part Number	Description	Qty Required
219	904020201705	LOCK WASHER	1
220	000000-00	No Longer Available	1
221	000000-00	No Longer Available	1
222	905010102711	ROLL PIN	1
223	904070105554	WASHER	2
224	000000-00	No Longer Available	1
225	426033880001	SET COLLAR ASSY	2
226	491950-00	SET SCREW	2
227	904070105571S	FIBRE WASHER	1
228	904010101606S	STEEL WASHER	1
229	902010101300S	HEX NUT	2
230	904010101604S	STEEL WASHER	2
231	422190890007S	BRACKET	1
232	901020500707	MACHINE SCREW	2
233	000000-00	No Longer Available	1
234	000000-00	No Longer Available	1
235	422030360001	DUST CHUTE	1
236	000000-00	No Longer Available	1
237	901020317612S	SCREW	1
238	489026-00	HEX NUT	1
239	901041200185	SET SCREW	1
240	901041500206	SET SCREW	1
241	905010102702	ROLL PIN	1
242	902012009848S	ARBOR NUT-LH	1
243	422041035001S	FLANGE	1
244	000000-00	No Longer Available	1
245	000000-00	No Longer Available	1

## Parts List for 34-430 Type 1

Item Number	Part Number	Description	Qty Required
246	905010102720	ROLL PIN	1
247	000000-00	No Longer Available	1
247	000000-00	No Longer Available	1
248	927030102662	KEY	1
249	422033030007S	ARBOR W/FLANGE	1
250	1086894S	BEARING	1
251	928060207382S	LOAD SPRING	1
252	1087857S	SPACER	1
253	902070207176S	BEARING CLOSURE NUT	1
254	902012009847S	SPECIAL NUT	1
255	901041500206	SET SCREW	1
256	926010418728	CAST-IRON PULLEY	1
257	904100313826	WASHER	2
258	901010600681	CAP SCREW	2
259	000000-00	No Longer Available	1
260	000000-00	No Longer Available	1
261	904020201705	LOCK WASHER	2
262	000000-00	No Longer Available	2
263	901041419152	SCREW	1
264	422031080005	MOTOR PLATE ROD	1
265	901064502250S	DRIVE SCREW	1
266	000000-00	No Longer Available	1
267	5140028-47	MOTOR PLATE	1
268	901110200834S	CARRIAGE BOLT	4
269	904010101604S	STEEL WASHER	4
270	902020401303S	SQUARE NUT	4
271	901110200848	SCREW&WASHER	1

## Parts List for 34-430 Type 1

Item Number	Part Number	Description	Qty Required
272	1088314S	PLATE	1
273	1088385	SCREW & WASHER	1
274	5140010-69	WASHER	2
275	424030170003	SPACER	1
276	000000-00	No Longer Available	1
276	1088315	COVER	1
277	902040101402	WING NUT	1
278	000000-00	No Longer Available	1
279	901041500206	SET SCREW	1
280	51-008	V-BLT 4L 47-1/8 IN	1
281	400060790001	RETAINER	2
282	400066030003S	ENVELOPE	1
283	000000-00	No Longer Available	1
284	802876	ALLEN WRENCH	1
285	000000-00	No Longer Available	1
300	000000-00	No Longer Available	1
301	438010090001S	LOCK NUT	2
302	438010110054S	INSULATOR SLEEVE	1
303	438010040007S	CLAMP	1
304	438010010036	SWITCH BOX	1
305	901020100577	MACHINE SCREW	1
306	402071115002S	STUD	2
307	438010170101S	SWITCH	1
308	402071045007S	SPACER	2
309	1340100	SWITCH COVER ASSY	1
310	901020100567S	MACHINE SCREW	2
320	000000-00	No Longer Available	1

## Parts List for 34-430 Type 1

Item Number	Part Number	Description	Qty Required
321	438010090001S	LOCK NUT	3
322	438010010060S	UTILITY BOX	1
323	438010040007S	CLAMP	3
324	901021400584	SCREW	1
325	000000-00	No Longer Available	1
326	438010210149S	SWITCH PLATE	1
327	402071115002S	STUD	2
328	905224	SWITCH	1
329	402071045007S	SPACER	2
330	1340100	SWITCH COVER ASSY	1
331	901020100567S	MACHINE SCREW	2
353	000000-00	No Longer Available	4
354	000000-00	No Longer Available	1
355	901020300408	MACHINE SCREW	24
356	902010101300S	HEX NUT	24
357	1086897	TIE BAR	2
358	000000-00	No Longer Available	2
400	436021150101	SHELF	1
400	000000-00	No Longer Available	1
401	902010101300S	HEX NUT	24
402	904010101620S	WASHER	8
403	901110200834S	CARRIAGE BOLT	24
404	000000-00	No Longer Available	4
405	000000-00	No Longer Available	2
406	000000-00	No Longer Available	2
410	000000-00	No Longer Available	1