

Portable Planer - 0 603 365 039 - 3365

www.powertools-aftersaleservice.com

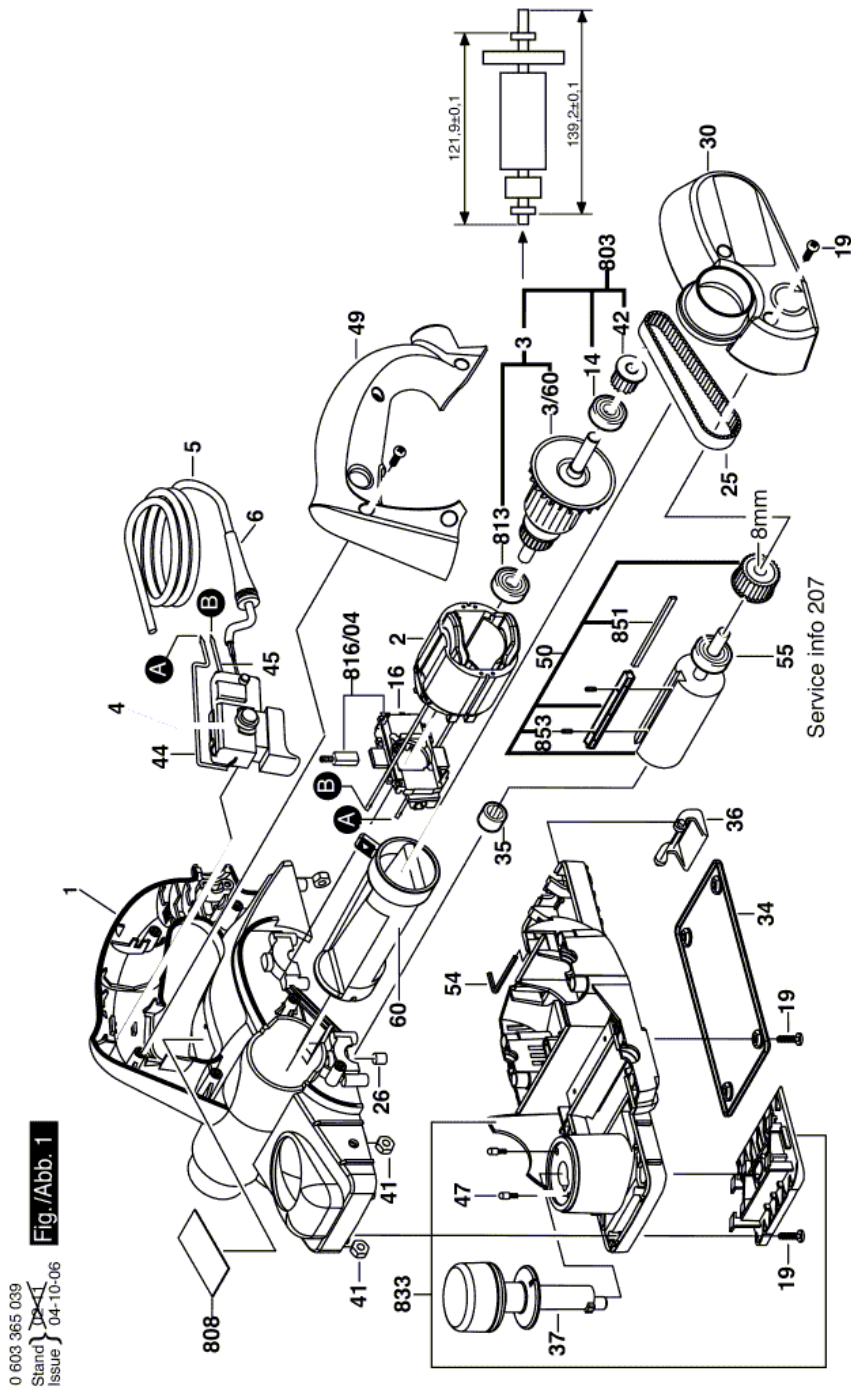


BOSCH

Item	Part Number	Description	Illustration	Price	Quantity	Price Group
	1 2 605 105 036	Housing Section BLUE	1	-,-	1	35
	2 2 604 220 644	Field 115-127V	1	-,-	1	29
	3 2 604 011 214	Armature 115-127V	1	-,-	1	36
	3/60 2 606 610 096	Fan	1	-,-	1	13
	4 2 607 200 534	Switch	1	-,-	1	21
	5 2 604 460 231	Power supply cord USA/CDN 3,3m 2 x 082mm SJ 18/2	1	-,-	1	26
	6 2 600 703 018	Grommet Ø7,3-Ø8,6x76 MM	1	-,-	1	13
	9 2 610 998 874	Manufacturer's nameplate	N/A	-,-	1	15
	14 1 610 905 011	groove ball bearing 9x24x7	1	-,-	1	26
	16 2 604 337 106	Brush Plate	1	-,-	2	25
	19 2 603 490 022	Screw 4x16	1	-,-	20	10
	25 2 604 736 001	Toothed Belt	1	-,-	1	22
	26 2 603 100 056	Damping rubber	1	-,-	4	11
	30 2 605 500 194	Gear Cover	1	-,-	1	23
	34 2 608 000 225	Base Plate	1	-,-	1	21
	35 1 610 910 057	Needle bearing Ø8xØ12x10 MM	1	-,-	1	14
	36 2 601 329 104	Knife Guard	1	-,-	1	14
	37 2 602 026 094	Handle BLACK	1	-,-	1	21
	41 2 915 011 007	Hex Nut DIN 934-M6-8-A	1	-,-	3	10
	42 2 606 625 030	Toothed Belt Wheel	1	-,-	1	15
	44 2 604 448 221	Connecting Cable L = 300 MM WHITE	1	-,-	1	13
	45 2 604 448 222	Connecting Cable L = 325 MM WHITE	1	-,-	1	13
	47 2 600 590 006	Ratchet Cap	1	-,-	2	11
	49 2 605 133 027	Handle Plate BLUE	1	-,-	1	20
	50 2 608 584 003	Planer Head	1	-,-	1	37
	54 1 907 950 003	Offset Screwdriver DIN 911 SW2,5	1	-,-	1	13
	55 2 600 905 052	groove ball bearing 8x22x7	1	-,-	1	20
	60 2 600 409 025	Deflector Pipe	1	-,-	1	17
	786/1 2 609 170 013	Dust Bag	N/A	-,-	1	32
	803 2 604 010 992	Armature 110V	1	-,-	1	43
	808 2 610 998 442	Marking Plate	1	-,-	1	15
	813 2 600 905 051	groove ball bearing 7x19x6	1	-,-	1	21
	816/04 2 604 321 914	Carbon-Brush Set	1	-,-	1	22

Item	Part Number	Description	Illustration	Price	Quantity	Price Group
833	2 608 000 922	Base Frame	1	-,-	1	33
851	2 608 635 341	Planing Knife	1	-,-	1	26
853	2 603 400 016	Set screw	1	-,-	2	11

Illustration - Type E



Information subject to change without further notice.