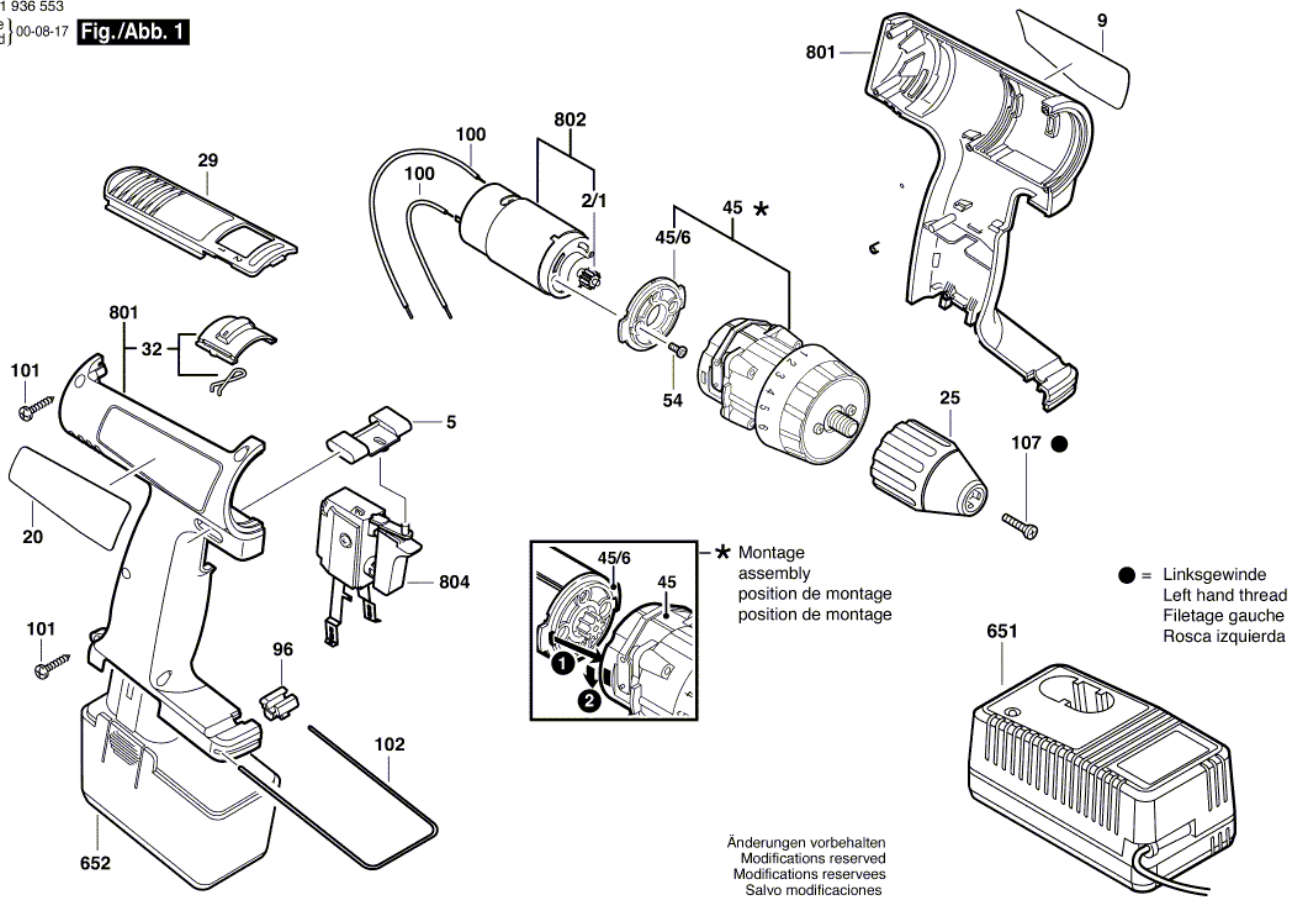


0 601 936 553  
 Issue | 00-08-17  
 Stand | **Fig./Abb. 1**



Pos.	Part Number	Description	Pos.	Part Number	Description
2/1	2 610 967 116	Pinion			
5	2 610 967 639	Change-Over Switch			
9	2 610 995 408	Nameplate			
20	2 610 995 409	Reference Plate			
25	2 608 572 214	Keyless Chuck			
29	2 605 510 130	Insert Piece			
32	2 601 099 126	Adjusting Slide			
45	2 606 200 065	Planetary Gear Train			
45/6	2 605 719 008	Intermediate Flange			
54	2 603 414 049	Torx SH cap screw			
96	2 610 911 815	Support			
100	2 610 991 216	Connecting Cable			
101	2 603 490 018	Torx Oval-Head Screw			
102	2 601 329 041	Retaining Bracket			
107	2 609 110 721	Countersunk-Head Screw			
651	2 607 224 431	Fast Charger			
652	2 610 910 405	Accumulator Battery			
801	2 610 910 446	Housing			
802	2 610 993 804	Motor			
804	2 607 200 353	On-Off Switch			