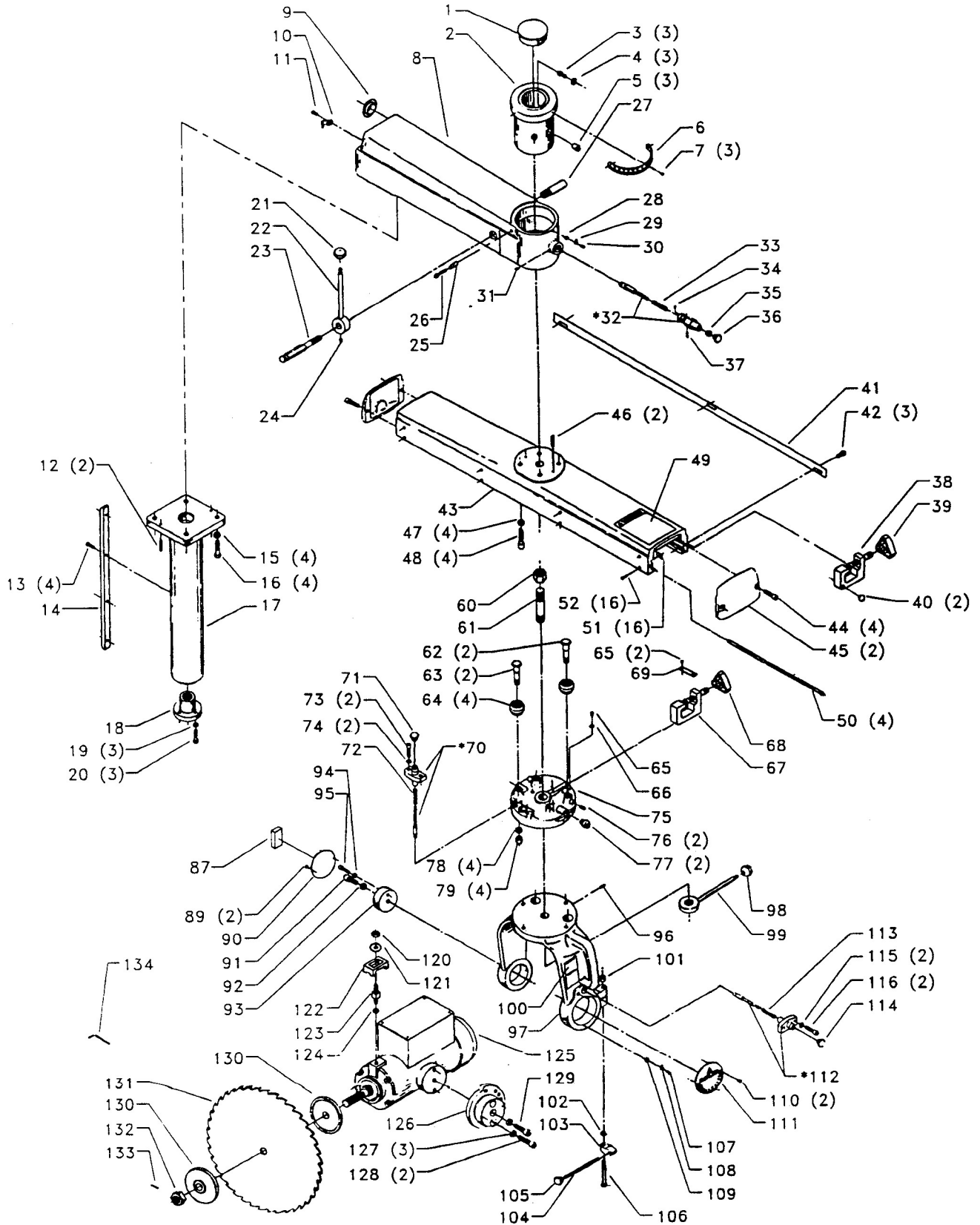


33-400, 33-401, 33-402, & 33-403 14" RADIAL SAWS

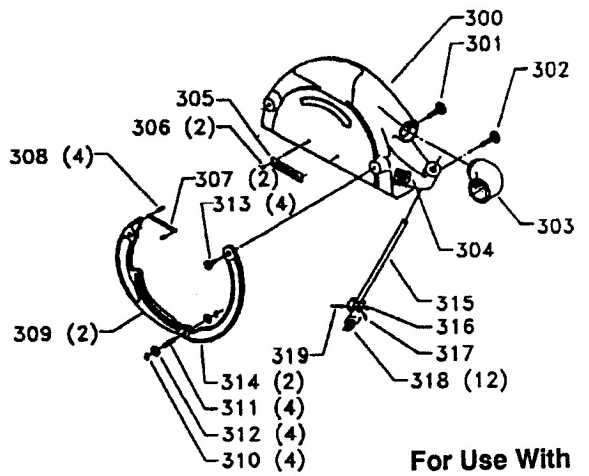
33-410, 33-411, 33-412, & 33-413 16" RADIAL SAWS

33-420, 33-421, 33-422, & 33-423 18" RADIAL SAWS

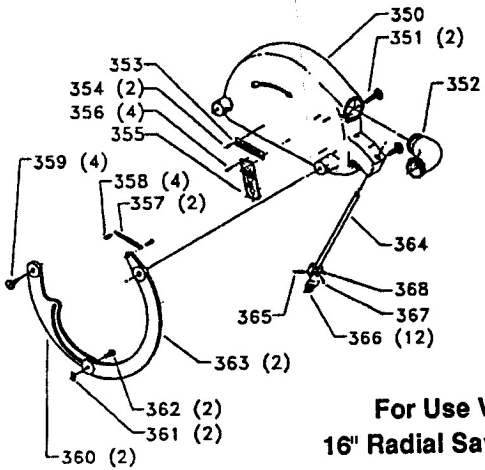
Revised 11-29-91



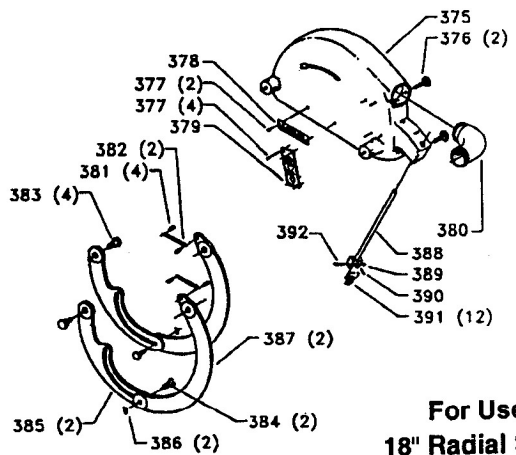
* To maintain the required fit, the plunger housings are honed and fitted with the plunger and supplied as an assembly.



**For Use With
14" Radial Saws Only**



**For Use With
16" Radial Saws Only**



**For Use With
18" Radial Saws Only**

