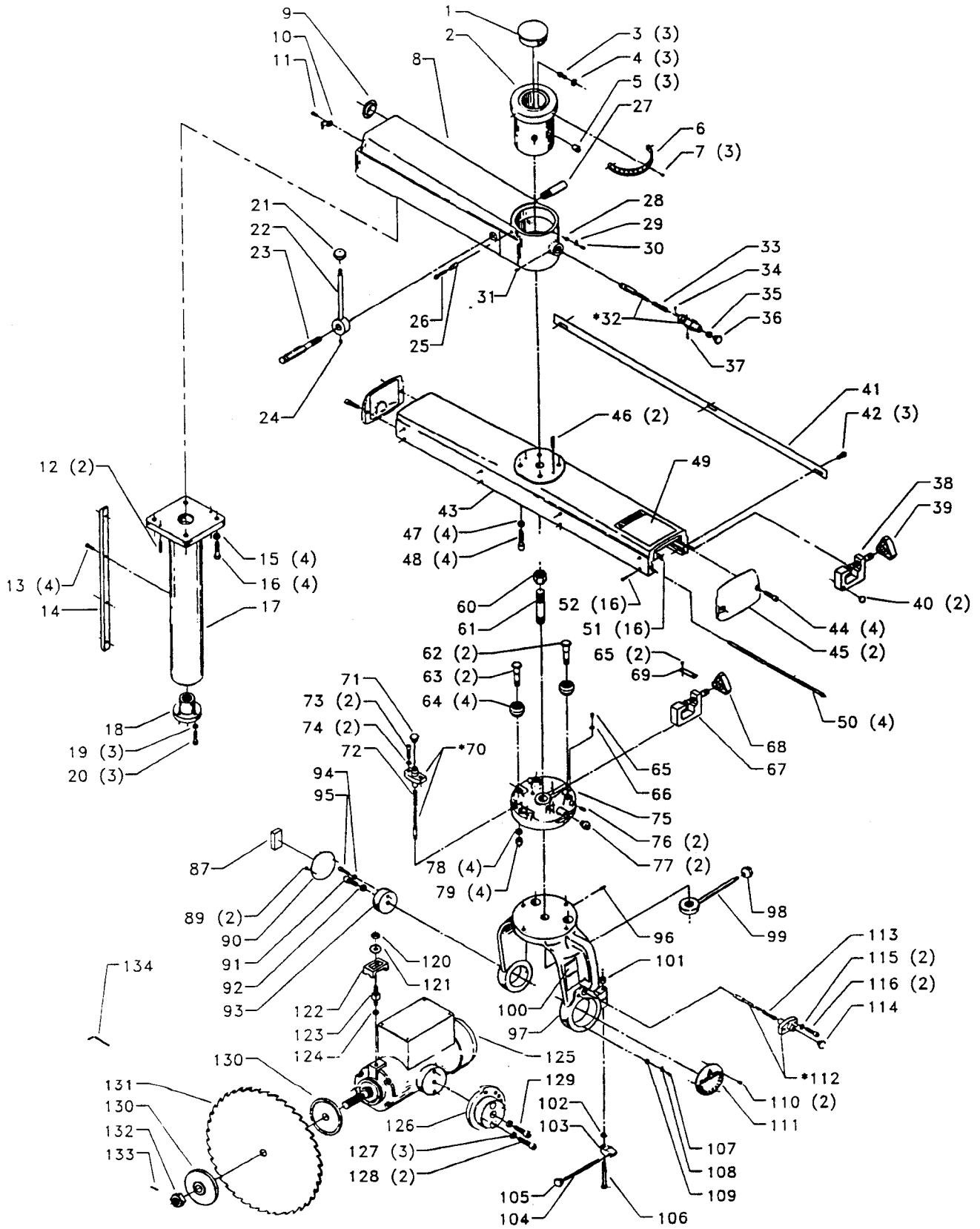
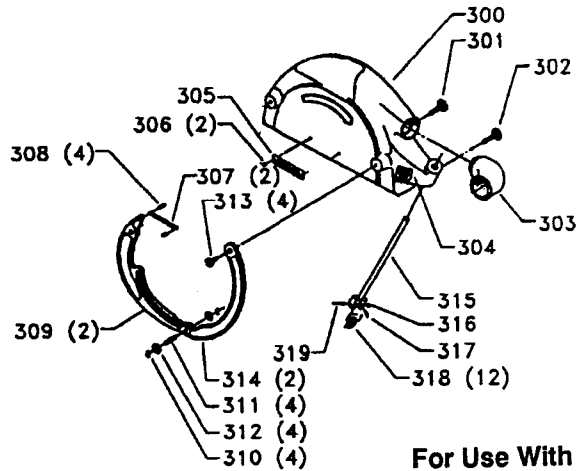


33-410, 33-411, 33-412, & 33-413 16" RADIAL SAWS

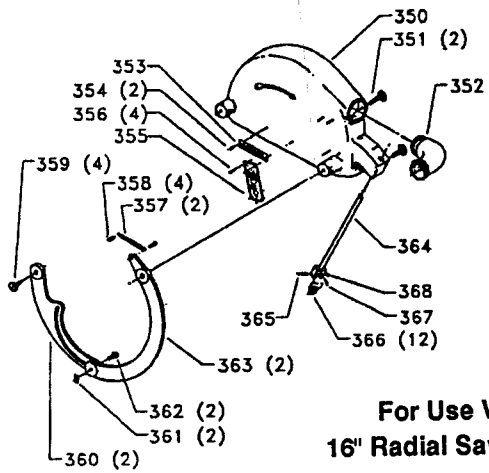
33-420, 33-421, 33-422, & 33-423 18" RADIAL SAWS



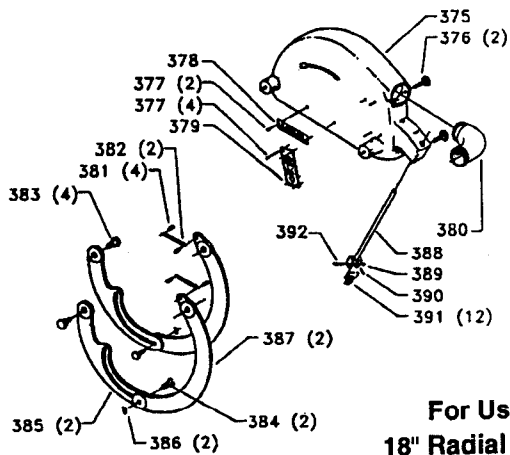
* To maintain the required fit, the plunger housings are honed and fitted with the plunger and supplied as an assembly.



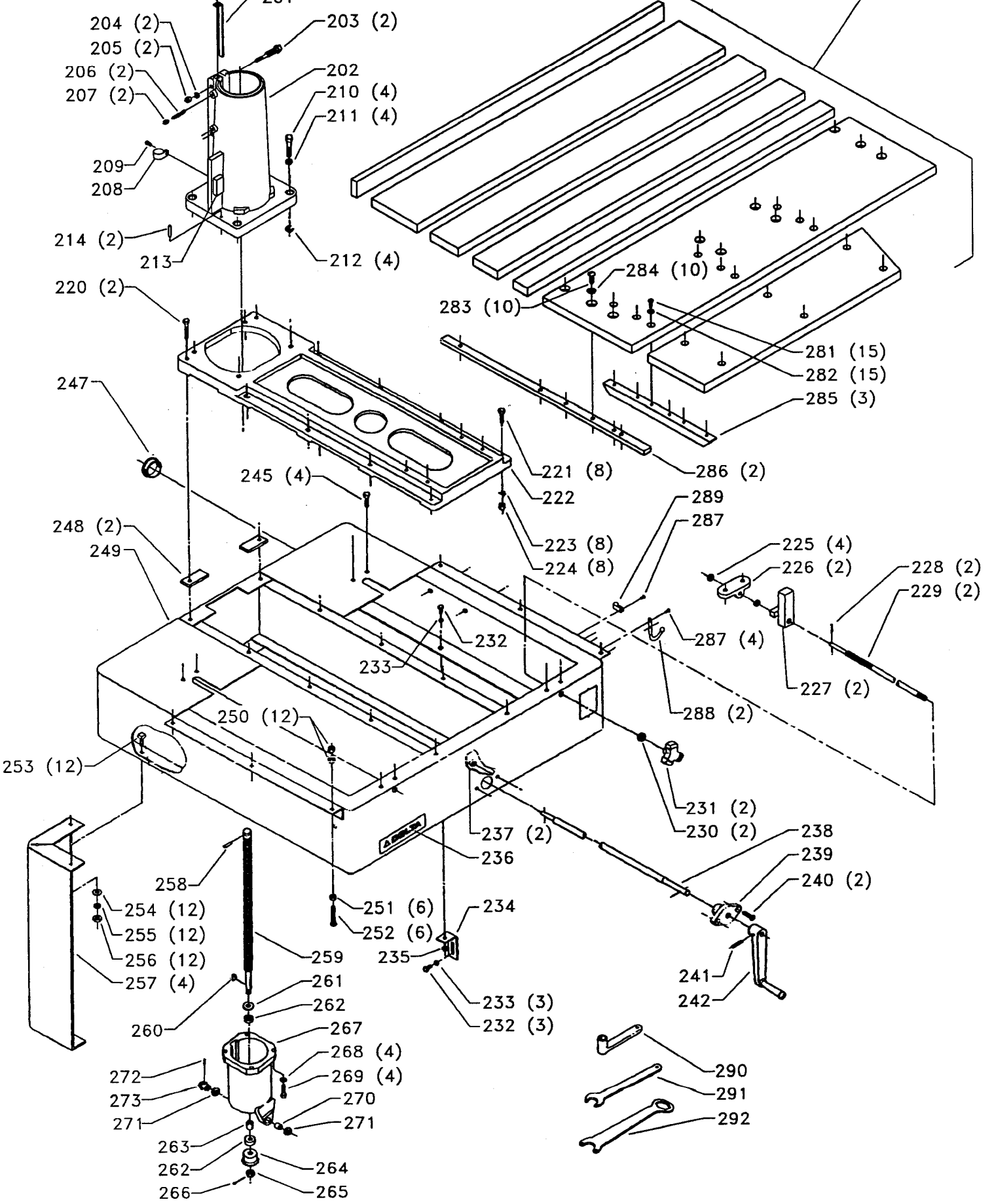
**For Use With
14" Radial Saws Only**



**For Use With
16" Radial Saws Only**



**For Use With
18" Radial Saws Only**



Parts List for 33-410 Type 1

| Item Number | Part Number | Description | Qty Required |
|-------------|---------------|---------------------|--------------|
| 1 | 424030740002 | HOLE PLUG | 1 |
| 2 | 424030300009S | INDEX COLUMN | 3 |
| 3 | 901010600605 | CAP SCREW | 3 |
| 4 | 904100313810 | STEEL WASHER | 3 |
| 5 | 424030740001S | LOCATING PIN | 3 |
| 6 | 951020113974S | MITER SCALE | 1 |
| 7 | 901064502250S | DRIVE SCREW | 3 |
| 8 | 424030890016S | ARM | 1 |
| 9 | 438010110051 | BUSHING INSULATOR | 1 |
| 10 | 000000-00 | No Longer Available | 1 |
| 11 | 901030408015S | CAP SCREW | 1 |
| 12 | 905020107105 | GROOVE PIN | 2 |
| 13 | 901030308013S | SCREW | 4 |
| 14 | 424040040005S | COLUMN KEY | 1 |
| 15 | 904020201705 | LOCK WASHER | 4 |
| 16 | 901010603117 | CAP SCREW | 4 |
| 17 | 000000-00 | No Longer Available | 1 |
| 18 | 929760106318 | ELEVATING NUT | 1 |
| 19 | 904020101703S | LOCK WASHER | 3 |
| 20 | 901010600649S | CAP SCREW | 3 |
| 21 | 931010114091 | BALL HANDLE | 1 |
| 22 | 1085978S | HANDLE ASSY | 1 |
| 23 | 1085979 | LOCK SCREW | 1 |
| 24 | 901041500206 | SET SCREW | 1 |
| 25 | 424030170003 | SPACER | 1 |
| 26 | 901030103345S | CAP SCREW | 1 |
| 27 | 424040610003 | CABLE SUPPORT | 1 |

Parts List for 33-410 Type 1

| Item Number | Part Number | Description | Qty Required |
|-------------|---------------|---------------------|--------------|
| 28 | 904010101610S | STEEL WASHER | 1 |
| 29 | 951010107802S | POINTER | 1 |
| 30 | 901020100558 | MACHINE SCREW | 1 |
| 31 | 901041701104 | SET SCREW | 1 |
| 32 | 424033880006 | PLUNGER ASSY | 1 |
| 33 | 928010415310S | SPRING | 1 |
| 34 | 901064508210S | DRIVE SCREW | 1 |
| 35 | 902010101300S | HEX NUT | 1 |
| 36 | 931010214099S | KNOB-SCREW ON | 1 |
| 37 | 905010106731S | ROLL PIN | 1 |
| 38 | 1087358 | CLAMP ASSY | 1 |
| 39 | 406031380005S | KNOB | 1 |
| 40 | 424030160002S | BUMPER | 2 |
| 41 | 424031320007 | RIP SCALE | 1 |
| 42 | 901020100558 | MACHINE SCREW | 3 |
| 43 | 424033550012 | TRACK ARM ASSY | 1 |
| 44 | 901030100775S | CAP SCREW | 4 |
| 45 | 000000-00 | No Longer Available | 2 |
| 46 | 905020107105 | GROOVE PIN | 2 |
| 47 | 904020201705 | LOCK WASHER | 4 |
| 48 | 901030103308 | CAP SCREW | 4 |
| 49 | 424007520002 | WARNING LABEL | 1 |
| 50 | 424031080007 | ROD | 4 |
| 51 | 902030202982 | SPEED NUT | 16 |
| 52 | 90513860 | SCREW | 16 |
| 60 | 906348 | NUT | 1 |
| 61 | 1085980S | YOKE PIN | 1 |

Parts List for 33-410 Type 1

| Item Number | Part Number | Description | Qty Required |
|-------------|---------------|---------------------|--------------|
| 62 | 424041110006S | ECCENTRIC STUD | 2 |
| 63 | 424041110005S | STATIONARY STUD | 2 |
| 64 | 920101514919 | SPECIAL BEARING | 4 |
| 65 | 901020100558 | MACHINE SCREW | 2 |
| 66 | 951010213951S | POINTER | 1 |
| 67 | 424043270002 | RIP LOCK ASSY | 1 |
| 68 | 406031380005S | KNOB | 1 |
| 69 | 424030720004S | HOLD DOWN STRIP | 1 |
| 70 | 424033880007S | LOCATING HOUSING | 1 |
| 71 | 931010214099S | KNOB-SCREW ON | 1 |
| 72 | 928010415310S | SPRING | 1 |
| 73 | 901030100784 | CAP SCREW | 2 |
| 74 | 904020201704S | LOCK WASHER | 2 |
| 75 | 424030570002 | ROLLER HEAD | 1 |
| 76 | 901041500202 | SET SCREW | 2 |
| 77 | 424030160002S | BUMPER | 2 |
| 78 | 904020201705 | LOCK WASHER | 4 |
| 79 | 902010201227S | HEX JAM NUT | 4 |
| 87 | 424030160003 | BUMPER | 1 |
| 88 | 904010101604S | STEEL WASHER | 1 |
| 89 | 901020100558 | MACHINE SCREW | 2 |
| 90 | 424040310018S | COVER | 1 |
| 91 | 000000-00 | No Longer Available | 1 |
| 92 | 904020201705 | LOCK WASHER | 1 |
| 93 | 424040950002S | TRUNNION BOSS | 1 |
| 94 | 904020101703S | LOCK WASHER | 1 |
| 95 | 901030100750 | CAP SCREW | 1 |

Parts List for 33-410 Type 1

| Item Number | Part Number | Description | Qty Required |
|-------------|---------------|---------------------|--------------|
| 96 | 901041601103 | SET SCREW | 1 |
| 97 | 424031020008S | YOKE | 1 |
| 98 | 931010114091 | BALL HANDLE | 1 |
| 99 | 1085982S | HANDLE ASSY | 1 |
| 100 | A21680S | WARNING LABEL | 1 |
| 101 | 902010401026S | HEX NUT | 1 |
| 102 | 904010312925 | SPEC WASHER | 1 |
| 103 | 424040270004S | LOCK NUT | 1 |
| 104 | 901072613234S | LOCK ROD | 1 |
| 105 | 931010214099S | KNOB-SCREW ON | 1 |
| 106 | 901010603121 | CAP SCREW | 1 |
| 107 | 901020100558 | MACHINE SCREW | 1 |
| 108 | 951010107802S | POINTER | 1 |
| 109 | 904010101610S | STEEL WASHER | 1 |
| 110 | 901020100567S | MACHINE SCREW | 2 |
| 111 | 424031320010S | BEVEL SCALE | 1 |
| 112 | 424033880007S | LOCATING HOUSING | 1 |
| 113 | 928010415310S | SPRING | 1 |
| 114 | 931010214099S | KNOB-SCREW ON | 1 |
| 115 | 904020201704S | LOCK WASHER | 2 |
| 116 | 901030100784 | CAP SCREW | 2 |
| 120 | 902010101282S | HEX JAM NUT | 1 |
| 121 | 904010101618S | STEEL WASHER | 1 |
| 122 | 424040540023 | GUARD CLAMP | 1 |
| 123 | 424041110010S | STUD | 1 |
| 124 | 000000-00 | No Longer Available | 1 |
| 125 | 400061310014S | MTR 1PH 3HP RA16 | 1 |

Parts List for 33-410 Type 1

| Item Number | Part Number | Description | Qty Required |
|-------------|---------------|---------------------|--------------|
| 125 | 400061310015S | MTR 3PH 5HP RA16 | 1 |
| 125 | 000000-00 | No Longer Available | 1 |
| 125 | 400061310018 | MTR 3PH 5HP RA16 | 1 |
| 126 | 424040950001 | TRUNNION BOSS | 1 |
| 127 | 904020201705 | LOCK WASHER | 3 |
| 128 | 901030103308 | CAP SCREW | 2 |
| 129 | 901030100765 | CAP SCREW | 1 |
| 130 | 000000-00 | No Longer Available | 1 |
| 131 | 000000-00 | No Longer Available | 1 |
| 132 | 424043600001 | ARBOR NUT ASSY | 1 |
| 133 | 901030108072S | SET SCREW | 1 |
| 134 | 955030100047S | HEX WRENCH | 1 |
| 200 | 901030408015S | CAP SCREW | 1 |
| 201 | 424040520001S | GIB | 1 |
| 202 | 000000-00 | No Longer Available | 1 |
| 203 | 424041110002S | STUD | 2 |
| 204 | 904020201704S | LOCK WASHER | 2 |
| 205 | 902010401026S | HEX NUT | 2 |
| 206 | 901041500297S | SET SCREW | 2 |
| 207 | 902010101206 | HEX NUT | 2 |
| 208 | 438010040052 | CORD CLAMP | 1 |
| 209 | 901030103318S | SCREW | 1 |
| 210 | 901010603117 | CAP SCREW | 4 |
| 211 | 904020201705 | LOCK WASHER | 4 |
| 212 | 424040830001 | SHIM WASHER | 4 |
| 213 | 424030160003 | BUMPER | 1 |
| 214 | 905020107105 | GROOVE PIN | 2 |

Parts List for 33-410 Type 1

| Item Number | Part Number | Description | Qty Required |
|-------------|---------------|---------------------|--------------|
| 220 | 901010600646S | CAP SCREW | 2 |
| 221 | 901010600648S | CAP SCREW | 8 |
| 222 | 000000-00 | No Longer Available | 1 |
| 223 | 904020201704S | LOCK WASHER | 8 |
| 224 | 902010401026S | HEX NUT | 8 |
| 225 | 904010331451 | WASHER | 4 |
| 226 | 424030140024 | FENCE BRACKET | 2 |
| 227 | 424033270003S | FENCE CLAMP NUT | 2 |
| 228 | 000000-00 | No Longer Available | 2 |
| 229 | 424041120015S | FENCE CLAMP SCREW | 2 |
| 230 | 961030131452 | GROMMET | 2 |
| 231 | 406031380008S | KNOB | 2 |
| 232 | 901010600611S | CAP SCREW | 3 |
| 233 | 491957-00 | LOCK WASHER | 3 |
| 234 | 424020140025S | LVC MTG BRACKET | 1 |
| 235 | 489026-00 | HEX NUT | 1 |
| 236 | 424027520086S | NAMEPLATE | 1 |
| 237 | 902010401026S | HEX NUT | 2 |
| 238 | 1086622S | ELEVATING SHAFT | 1 |
| 239 | 424040170006 | HUB | 1 |
| 240 | 901020300417 | MACHINE SCREW | 2 |
| 241 | 905020105045 | GROOVE PIN | 1 |
| 242 | 424033330001S | ELEVATING CRANK | 1 |
| 245 | 901010600640S | CAP SCREW | 4 |
| 247 | 438010110020 | INSULATOR | 1 |
| 248 | 424040040008S | REINFORCING STRIP | 2 |
| 249 | 000000-00 | No Longer Available | 1 |

Parts List for 33-410 Type 1

| Item Number | Part Number | Description | Qty Required |
|-------------|---------------|----------------------|--------------|
| 250 | 902010401026S | HEX NUT | 12 |
| 251 | 489191-00 | HEX NUT | 6 |
| 252 | 901040200324 | 3/8-16 X 2 SET SCREW | 6 |
| 253 | 901010600642 | CAP SCREW | 12 |
| 254 | 904010101615 | STEEL WASHER | 12 |
| 255 | 904020201704S | LOCK WASHER | 12 |
| 256 | 489191-00 | HEX NUT | 12 |
| 257 | 424040660004S | LEG | 4 |
| 258 | 905010102730 | ROLL PIN | 1 |
| 259 | 424031120002S | ELEVATING SCREW | 1 |
| 260 | 927010102607 | KEY | 1 |
| 261 | 904010301649S | STEEL WASHER | 1 |
| 262 | 920520113924 | BEARING | 2 |
| 263 | 920240613962 | BEARING | 1 |
| 264 | 424023510001 | GEAR ASSY | 1 |
| 265 | 902011501011 | HEX NUT | 1 |
| 266 | 905050402106S | COTTER PIN | 1 |
| 267 | 424030130003 | COLUMN HOUSING | 1 |
| 268 | 904020201704S | LOCK WASHER | 4 |
| 269 | 901010600648S | CAP SCREW | 4 |
| 270 | 920240613962 | BEARING | 1 |
| 271 | 920760213909 | THRUST BEARING | 2 |
| 272 | 905020105030 | GROOVE PIN | 1 |
| 273 | 424023510001 | GEAR ASSY | 1 |
| 280 | 424043910006 | TABLE BOARD SET | 1 |
| 281 | 901020100511 | MACHINE SCREW | 15 |
| 282 | 904010101614S | STEEL WASHER | 15 |

Parts List for 33-410 Type 1

| Item Number | Part Number | Description | Qty Required |
|-------------|---------------|----------------------|--------------|
| 283 | 901020107502 | MACHINE SCREW | 10 |
| 284 | 904010101615 | STEEL WASHER | 10 |
| 285 | 424030040014S | EXTENSION BAR | 3 |
| 286 | 424040040004S | CLAMP STRIP | 2 |
| 287 | 901052131498 | SCREW | 4 |
| 288 | 422350600001S | WRENCH HOOK | 2 |
| 290 | 424031170001 | SOCKET WRENCH | 1 |
| 291 | 955010301488S | OPENEND ARBOR WRENCH | 1 |
| 292 | 955021001492S | COMBINATION WRENCH | 1 |
| 350 | 424033540015 | 16 BLADE GUARD ASSY | 1 |
| 351 | 901042601528S | THUMB SCREW | 2 |
| 352 | 424040360001S | DUST SPOUT | 1 |
| 353 | 000000-00 | No Longer Available | 1 |
| 354 | 901064502250S | DRIVE SCREW | 2 |
| 355 | 424027520084S | CAUTION PLATE | 1 |
| 356 | 901064502250S | DRIVE SCREW | 4 |
| 357 | 928022313394S | SPRING | 2 |
| 358 | 901090112456S | STUD | 4 |
| 359 | 901090112455S | STUD | 4 |
| 360 | 424040540011S | REAR LEAF | 2 |
| 361 | 904152107403S | CLIP | 2 |
| 362 | 424011110003S | STUD | 2 |
| 363 | 424040540010S | FRONT LEAF | 2 |
| 364 | 424044080002 | ANTI-KICK ASSY | 1 |
| 365 | 424040710013S | PIN | 1 |
| 366 | 424040470002S | ANTI-KICK FINGER | 12 |
| 367 | 905020102489S | GROOVE PIN | 1 |

Parts List for 33-410 Type 1

| Item Number | Part Number | Description | Qty Required |
|-------------|-------------|---------------------|--------------|
| 368 | 000000-00 | No Longer Available | 1 |