

# 326P4

# 326P4

## X-SERIES

# 326P5

## X-SERIES

# Saw attachment

**Spare parts**

**Ersatzteile**

**Pièces détachées**

**Reserve onderdelen**

**Repuestos**

**Reservdelar**

A

537 13 66-01

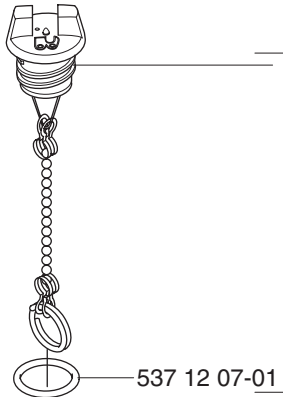


537 13 65-01



537 11 88-01 (x4)

537 11 79-01 (x4)



537 12 03-01

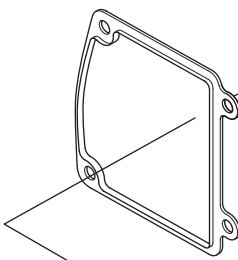
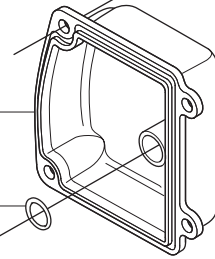
537 12 07-01

537 11 78-01

537 11 81-01

735 58 52-00

537 11 82-01



537 11 95-01

537 11 81-01

537 11 97-01

537 12 04-01

537 11 92-01

537 11 91-01

537 12 16-01

537 11 96-01

537 11 83-01

537 11 87-01

537 11 81-01

537 11 83-01

537 12 17-01

537 12 18-01

537 11 84-01

537 11 94-01

537 12 52-01

537 14 67-01

537 12 15-01

537 11 94-01

734 11 45-71

537 11 85-01

537 12 13-01

725 53 25-55

501 36 49-98

537 12 01-01

537 08 88-01

\*\*

501 36 49-97

537 12 46-01

537 15 49-01

\*\*compl 537 11 98-01

537 14 29-01

\*\*

537 12 12-01

537 09 19-01

537 12 08-01

537 12 06-01

537 14 30-01

537 12 09-01

503 23 00-68



537 11 29-01\*

537 13 92-01

537 09 65-01

537 11 30-01\*

503 26 32-02\* (x4)

537 11 30-01\*

537 11 31-01

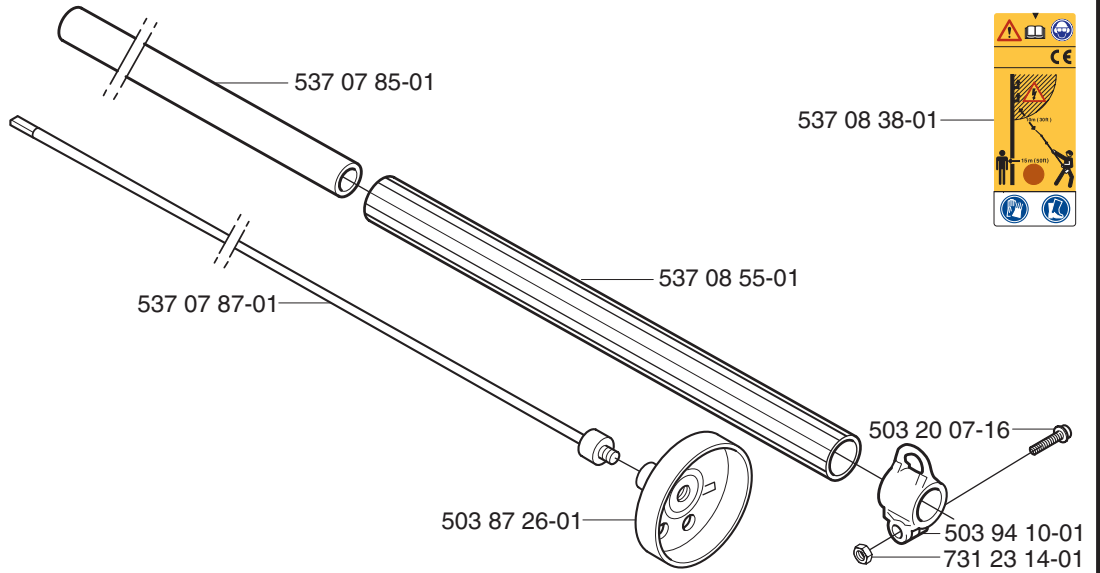
\*compl 537 11 28-01

Husqvarna

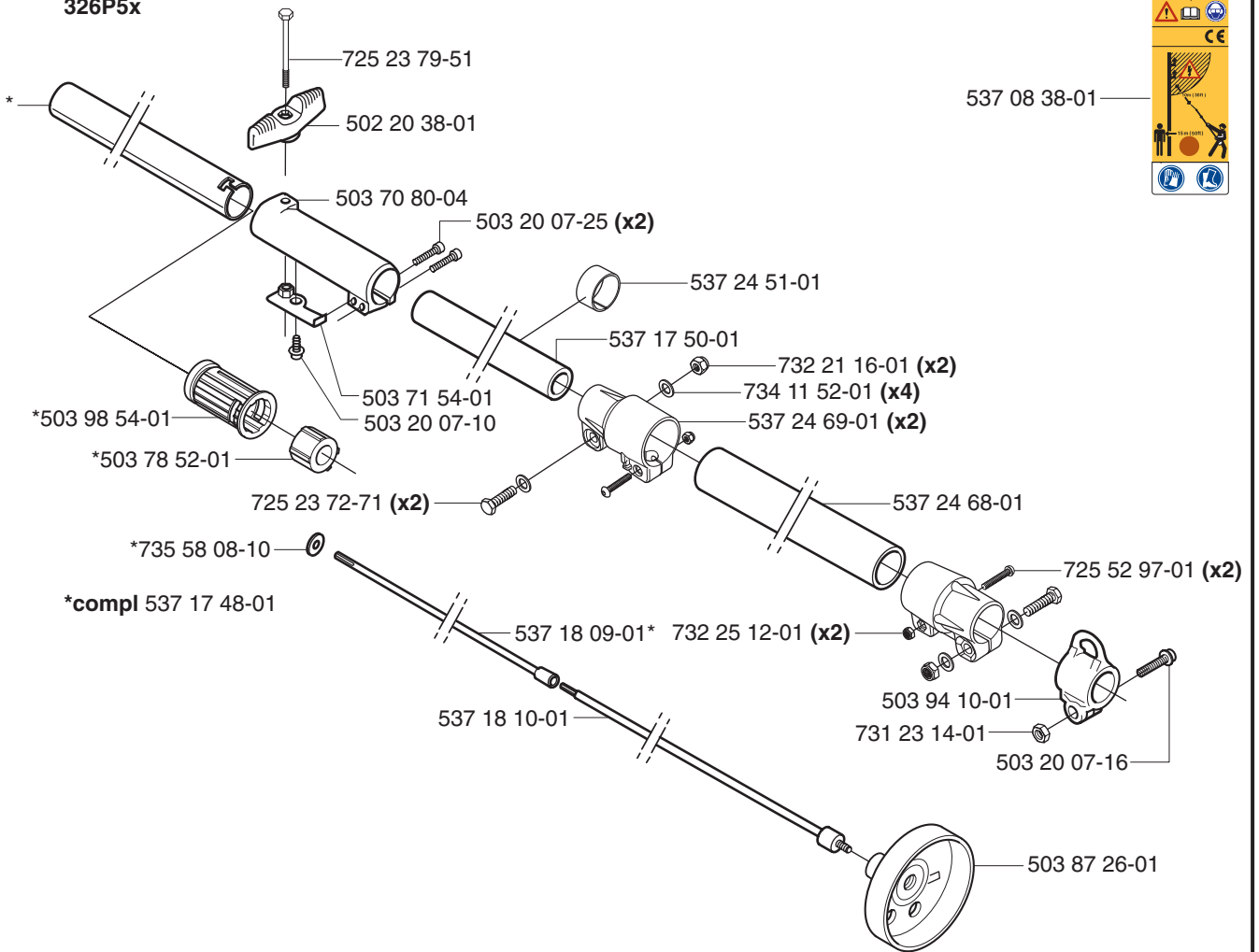
PAT. PEND.

**B**

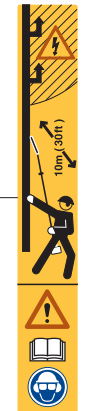
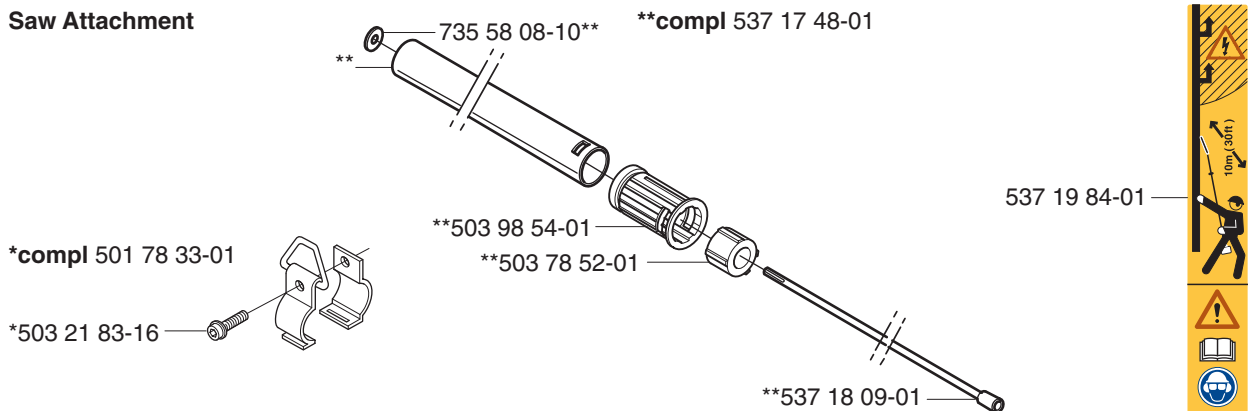
326P4, 326P4x



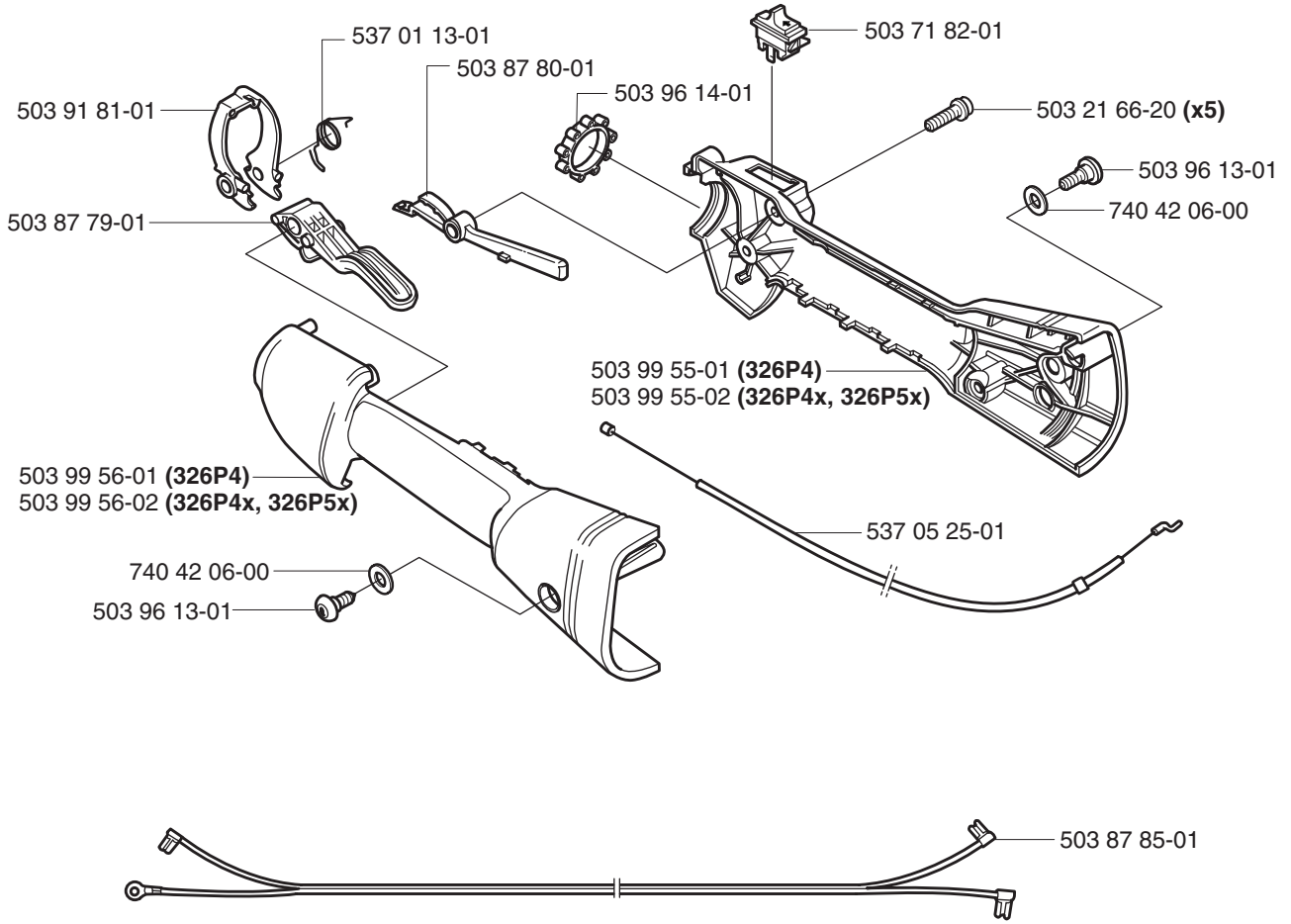
326P5x



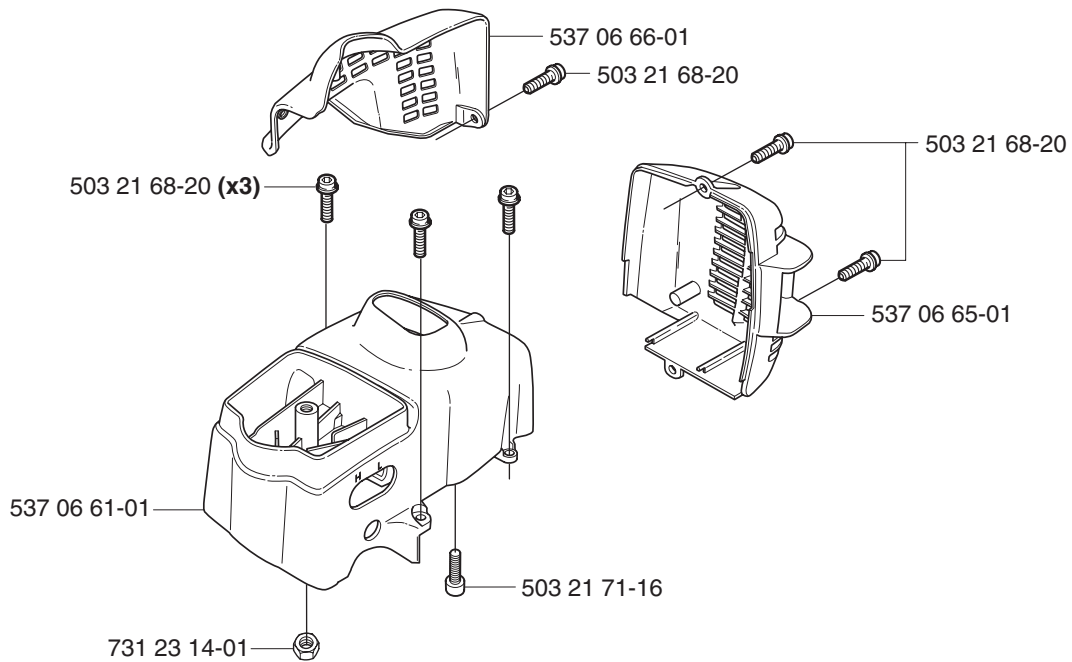
Saw Attachment



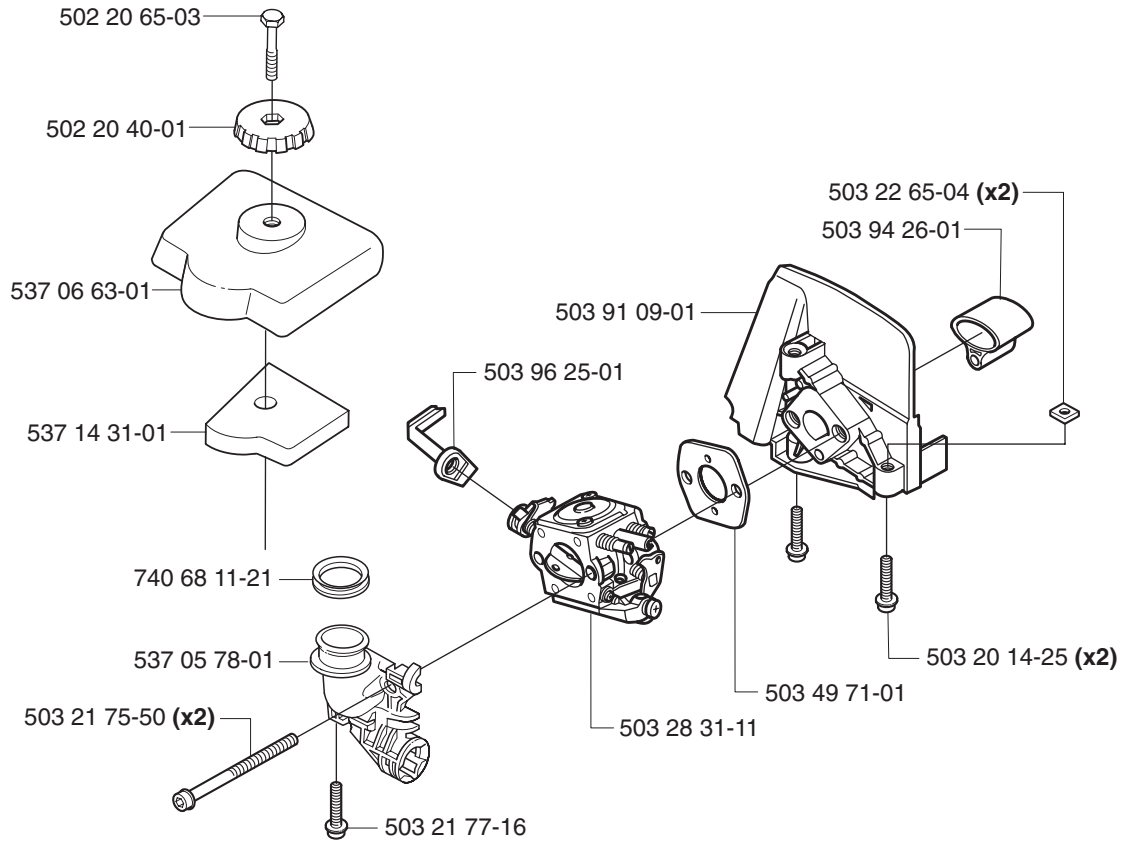
# C



# D



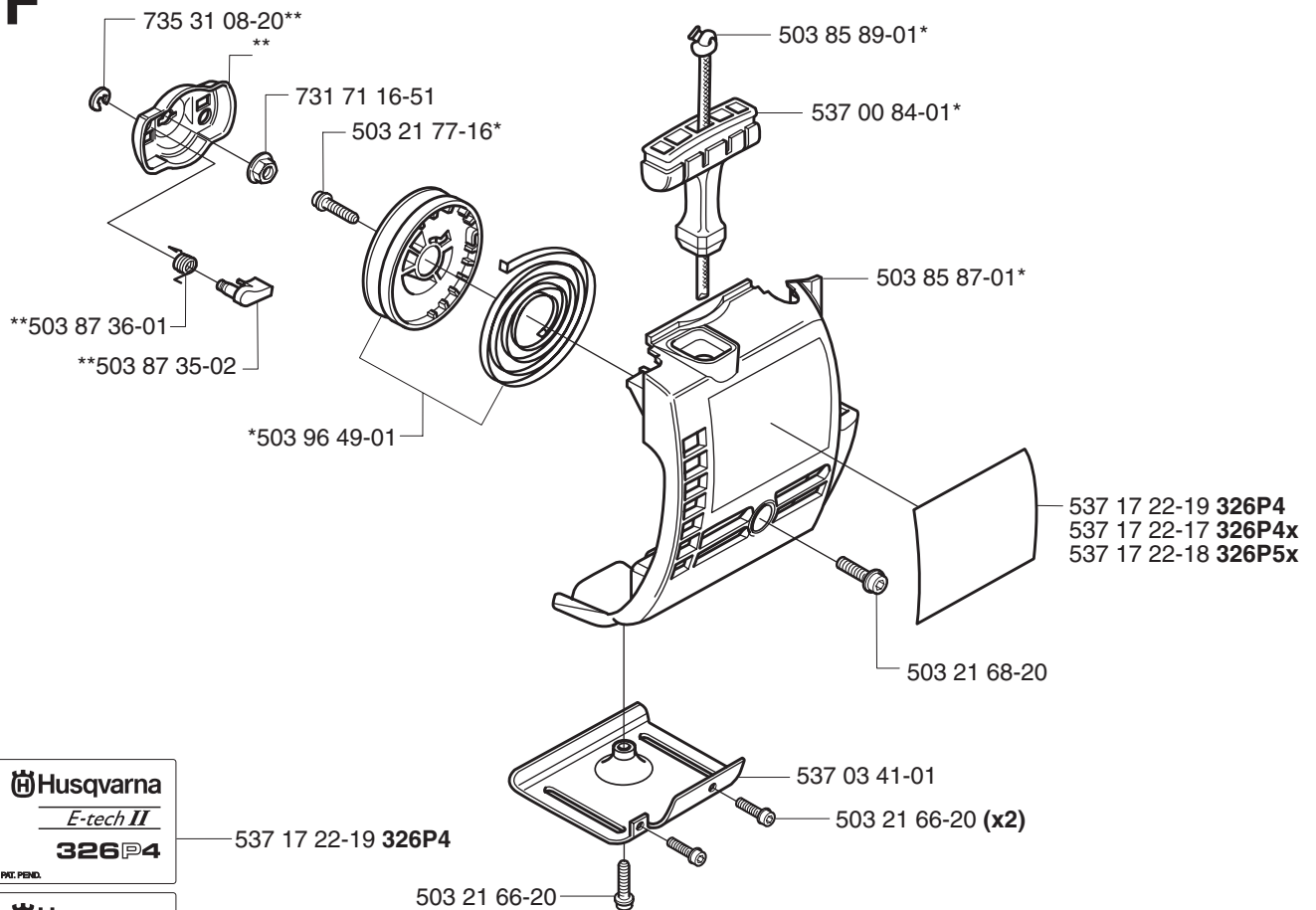
# E



# F

**\*\*compl 503 87 33-02**

**\*compl 503 85 28-01**



537 17 22-19 326P4



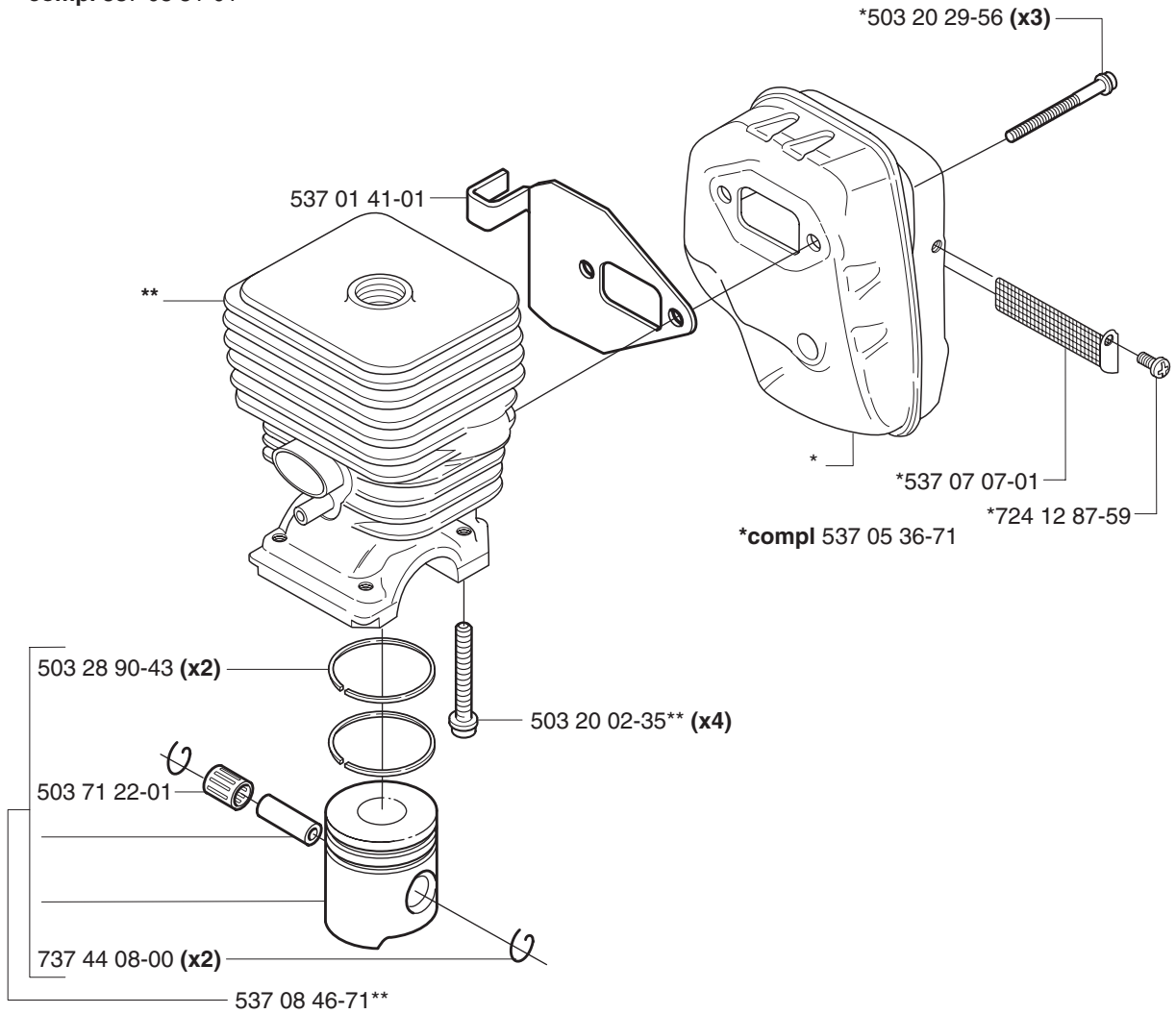
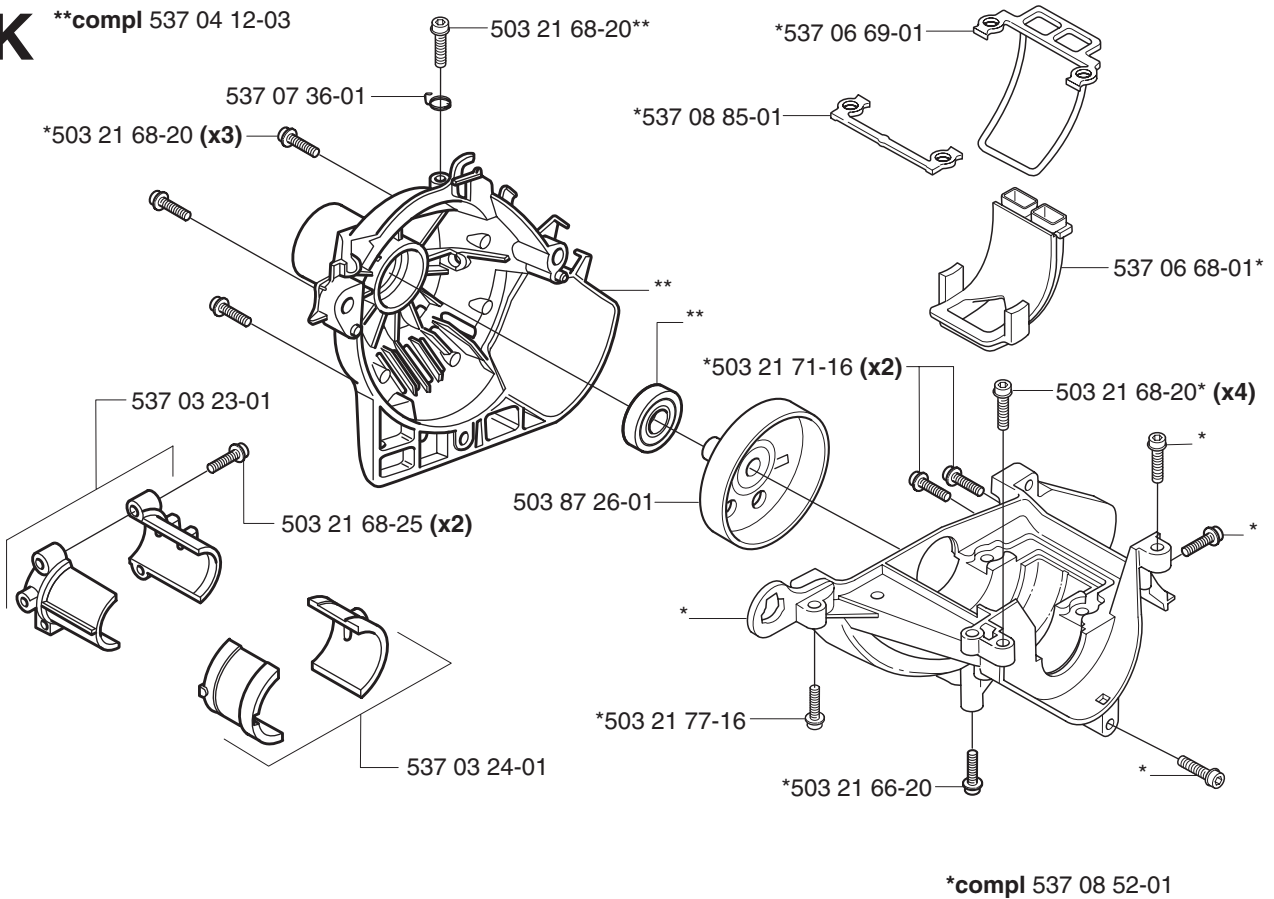
537 17 22-17 326P4x



537 17 22-18 326P5x

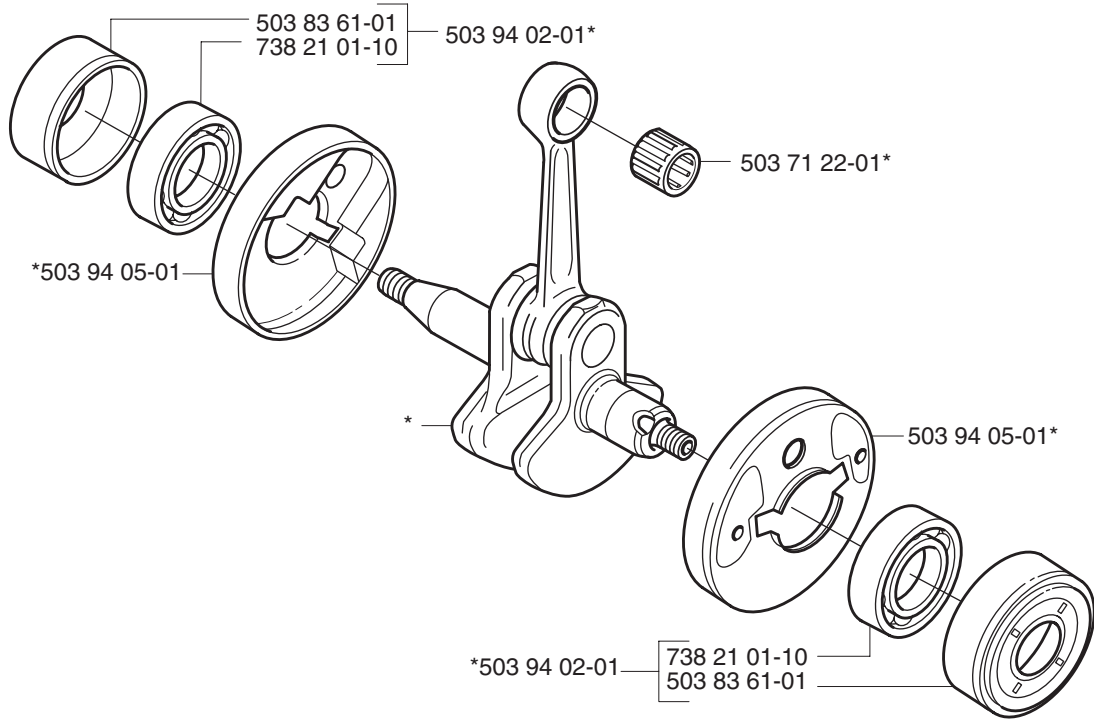
503 21 66-20



**J****\*\*compl 537 08 51-01****K****\*\*compl 537 04 12-03**

**L**

\*compl 503 85 24-74



# M

**Accessories**  
**Zubehöre**  
**Accessoires**  
**Acessorios**  
**Tillbehör**

\*compl 537 04 07-10

