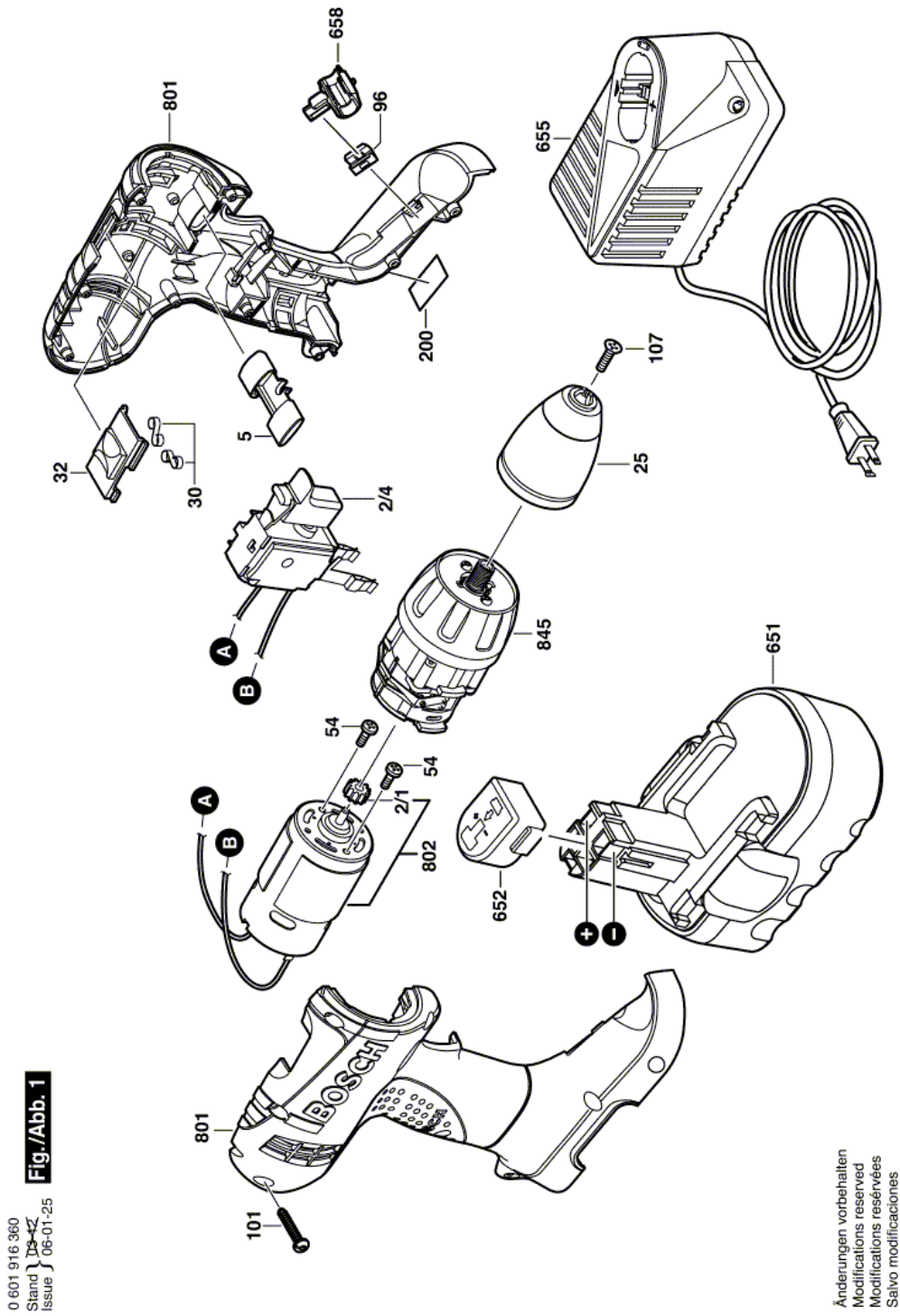


**Batt-Oper Screwdriver - 0 601 916 370 - 32618**[www.powertools-aftersaleservice.com](http://www.powertools-aftersaleservice.com)**BOSCH**

Item	Part Number	Description	Illustration	Price	Quantity	Price Group
2/1	2 606 316 226	Pinion	1	-,-	1	17
2/4	2 607 200 483	On-Off Switch	1	-,-	1	36
5	2 601 099 114	Adjusting Slide RED	1	-,-	1	13
25	2 608 572 172	Keyless Chuck	1	-,-	1	38
30	2 604 690 022	Leaf Spring	1	-,-	2	11
32	2 601 099 115	Adjusting Slide RED	1	-,-	1	13
54	2 603 414 049	Torx SH cap screw M4x8-4,8-Z	1	-,-	2	11
96	2 604 690 035	Spring Element	1	-,-	1	11
101	2 603 490 018	Torx Oval-Head Screw 3x18	1	-,-	8	10
107	2 603 421 229	Countersunk-Head Screw M6x23	1	-,-	1	11
200	2 601 116 849	Reference Plate	1	-,-	1	13
651	2 607 335 671	Accumulator Battery 18V/2,0 Ah , NiCd, HD	1	-,-	1	51
652	2 609 100 101	Protective Cap	1	-,-	1	16
655	2 607 225 033	Fast Charger USA 120/7,2-24V, 30 MIN.	1	-,-	1	46
658	2 608 040 208	Auxiliary Support	1	-,-	1	11
801	2 605 105 930	Housing Section	1	-,-	1	34
802	2 607 022 849	DC motor 18V	1	-,-	1	38
845	2 606 200 945	Planetary Gear Train	1	-,-	1	38

Illustration - Type E



Information subject to change without further notice.