

323P4

325P5

X-SERIES

Saw attachment

Spare parts

Ersatzteile

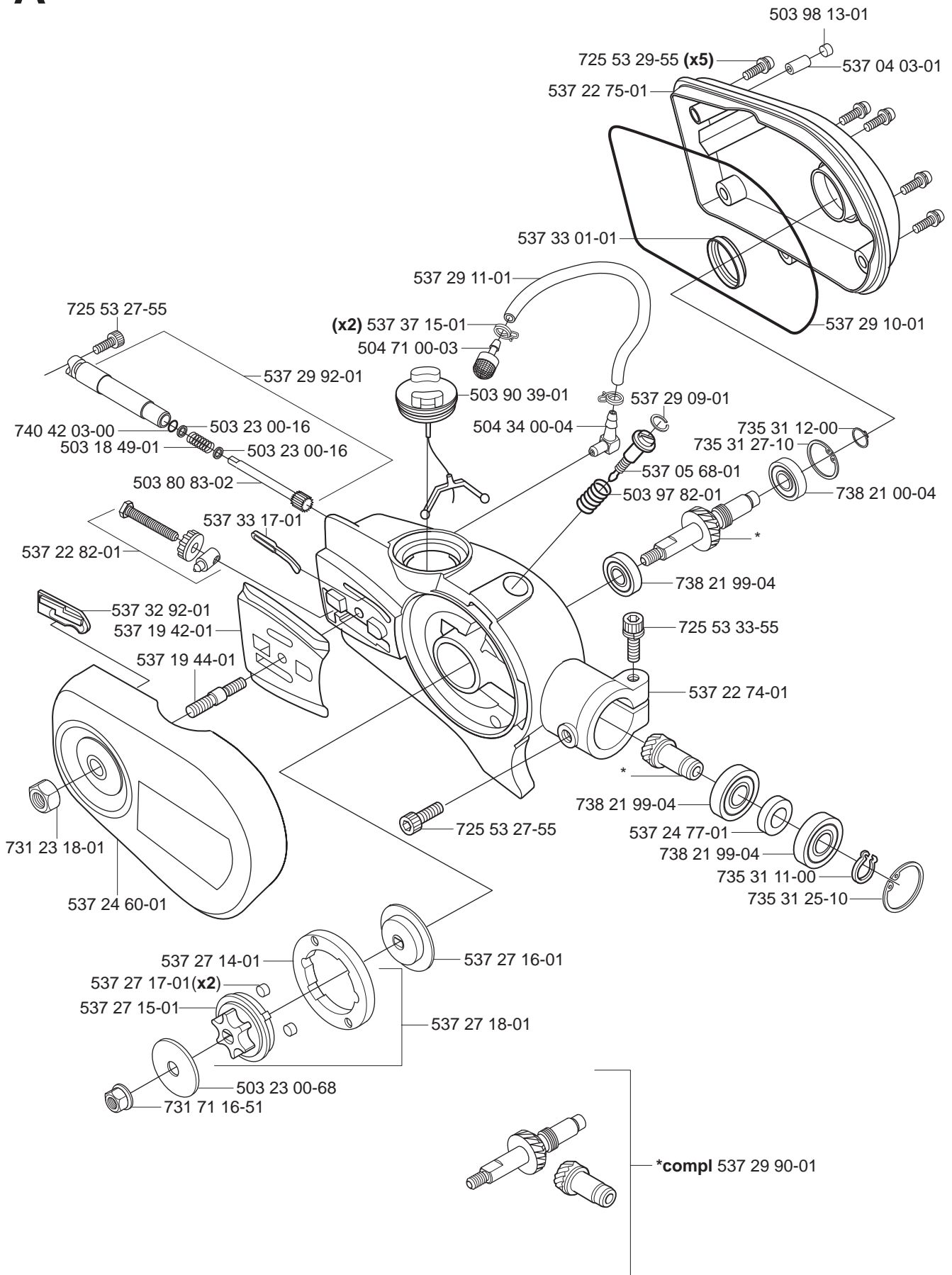
Pièces détachées

Reserve onderdelen

Repuestos

Reservdelar

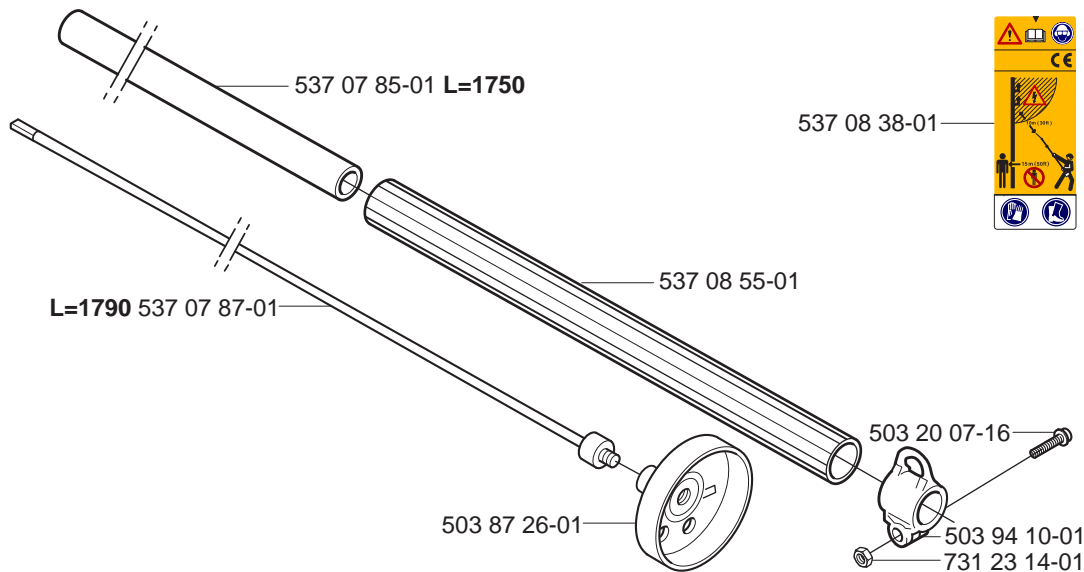
A



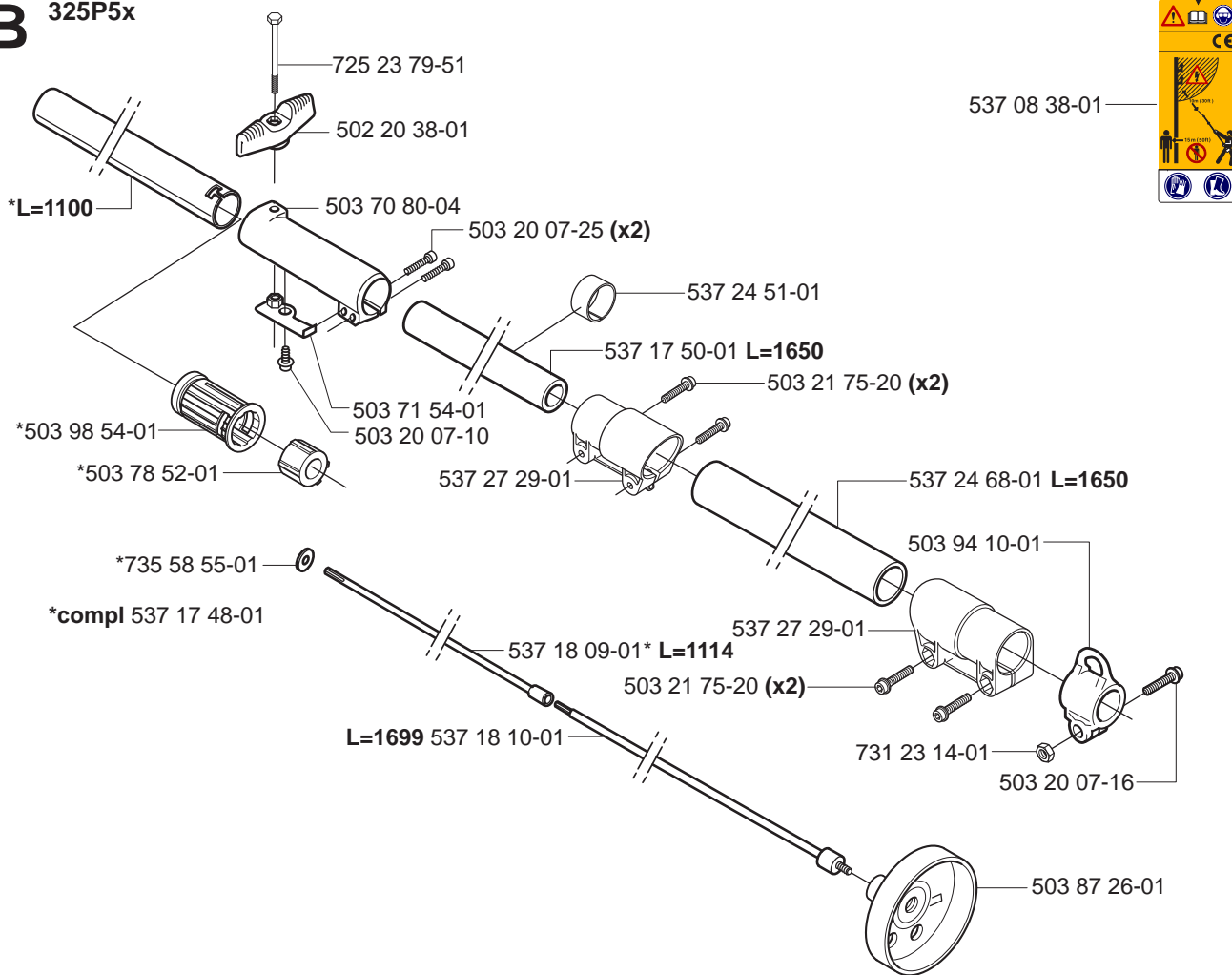
537 23 00-01



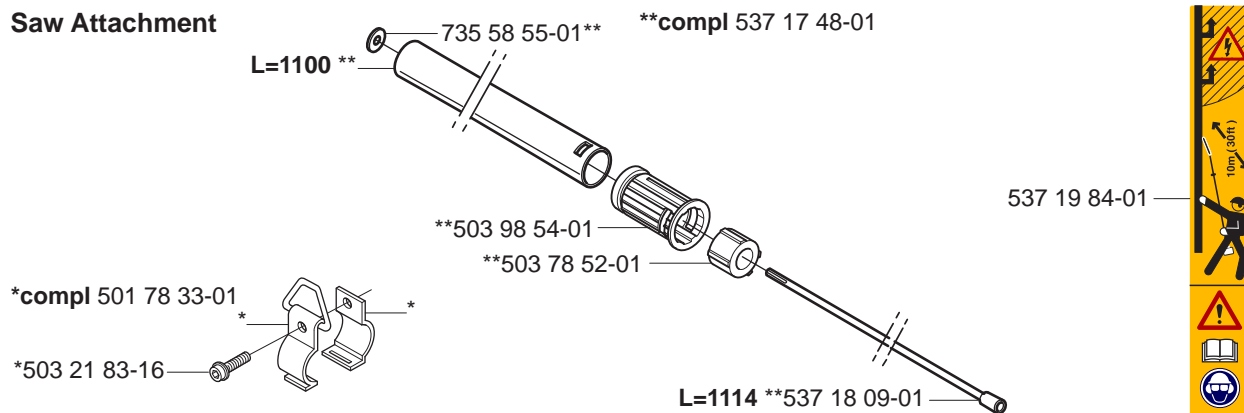
B 323P4



B 325P5x

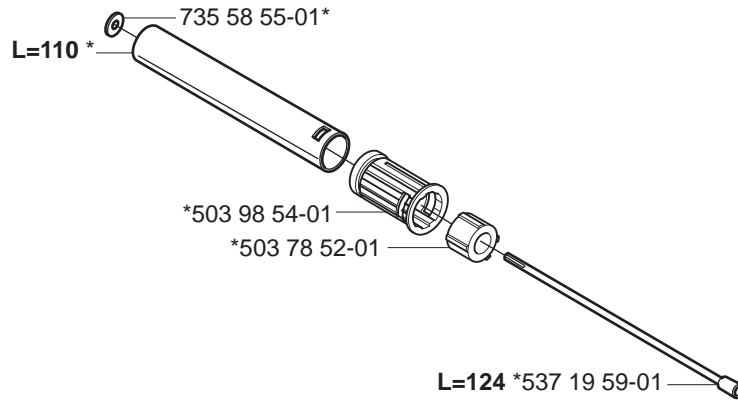


B Saw Attachment



B Saw Attachment

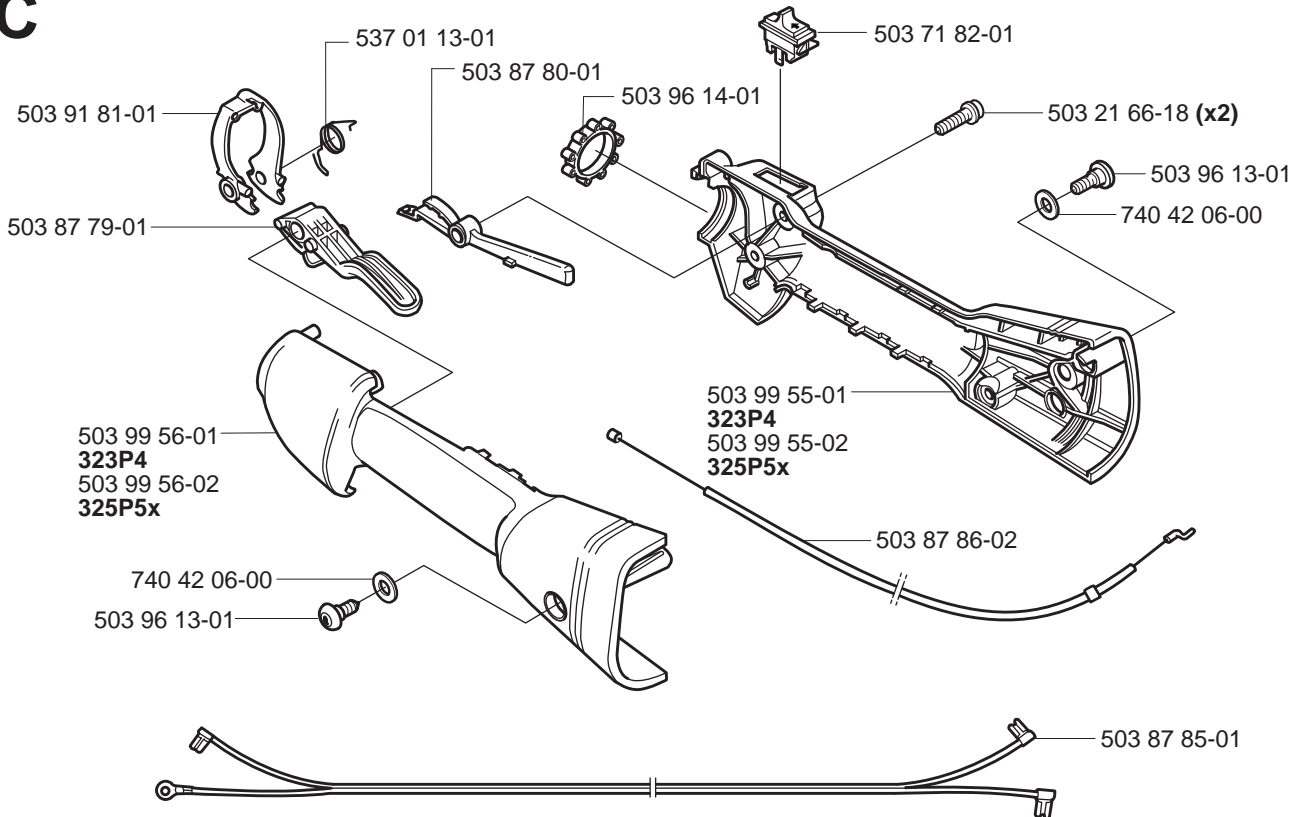
*compl 537 19 58-01



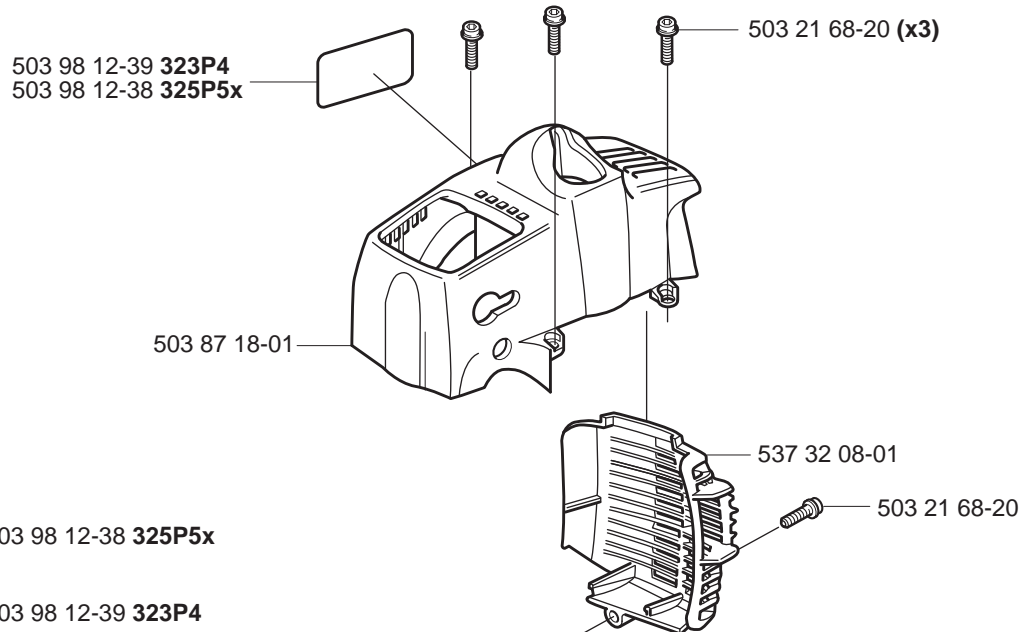
537 19 84-01



C



D



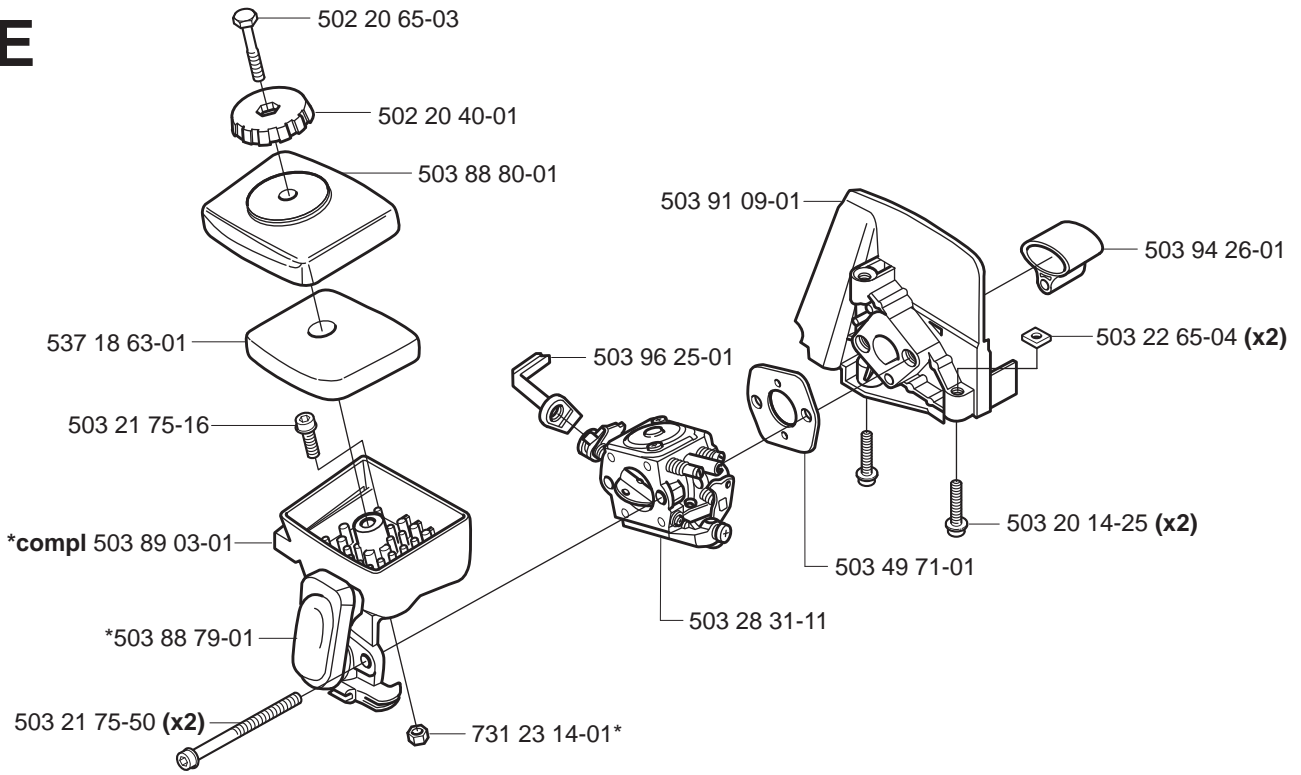
Husqvarna
325P5
X-SERIES

503 98 12-38 325P5x

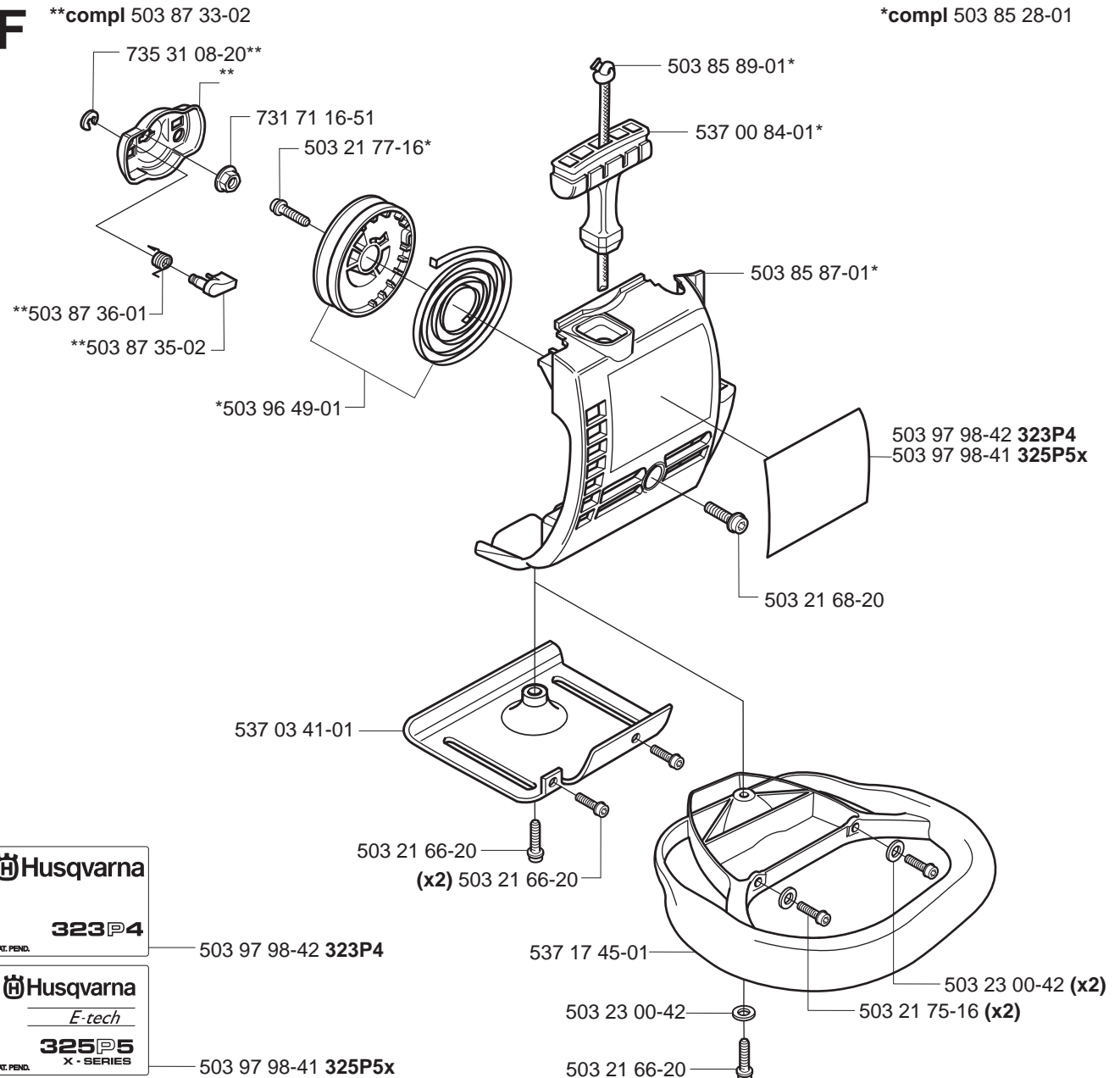
Husqvarna
323P4

503 98 12-39 323P4

E



F



Husqvarna

323P4

PAT. PEND.

503 97 98-42 323P4

Husqvarna

E-tech

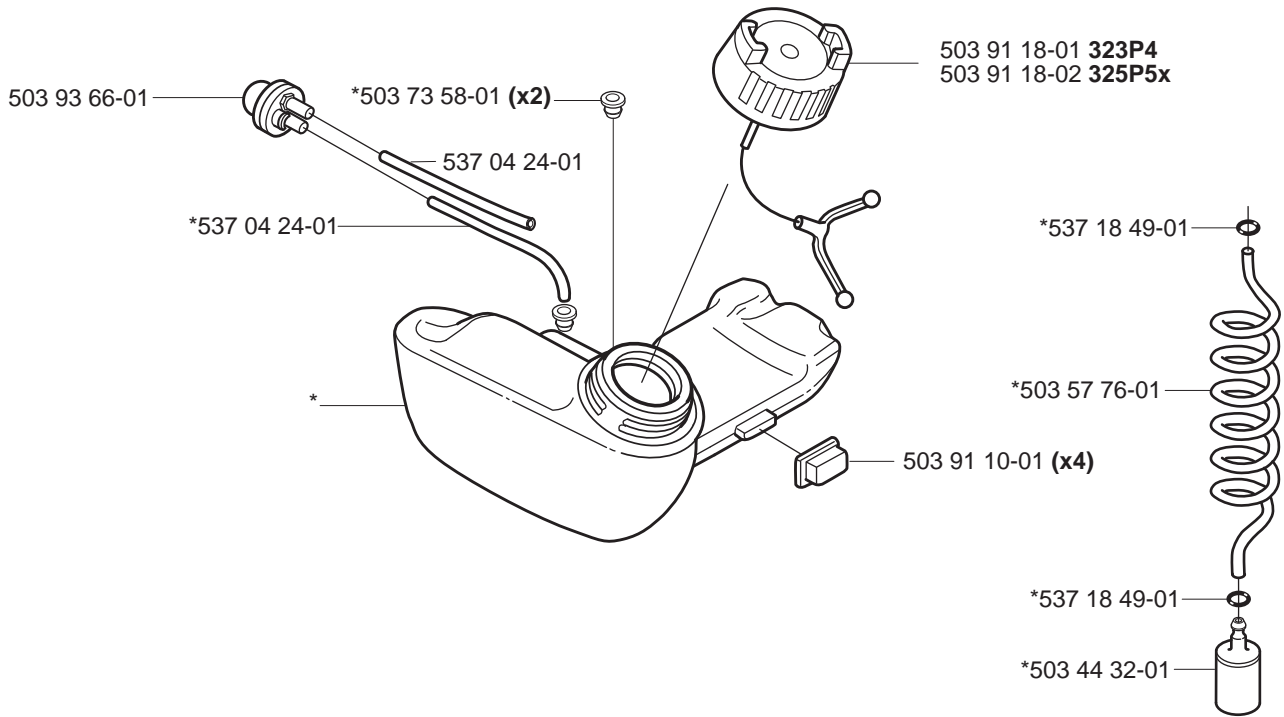
325P5

PAT. PEND.

X-SERIES

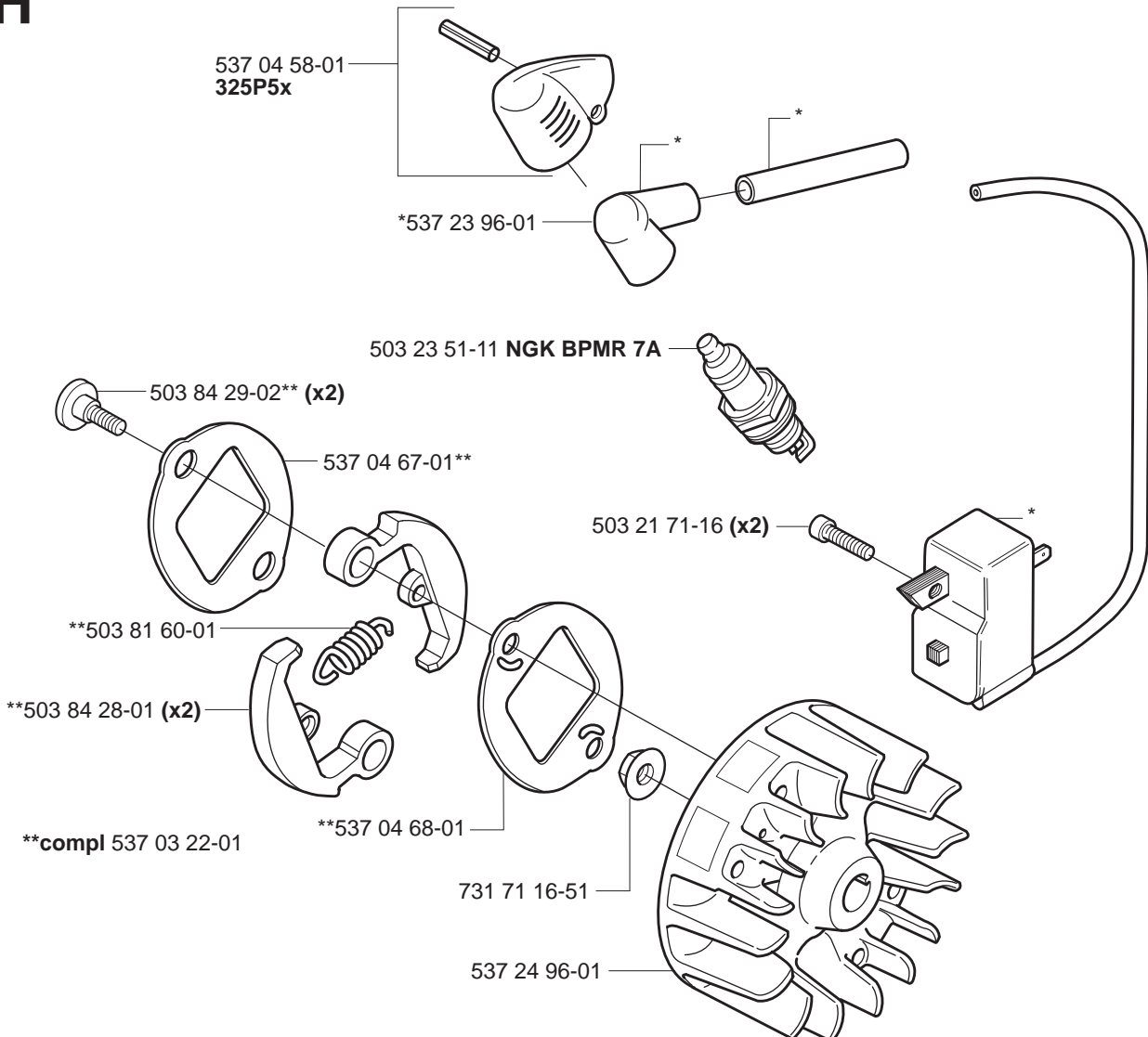
503 97 98-41 325P5x

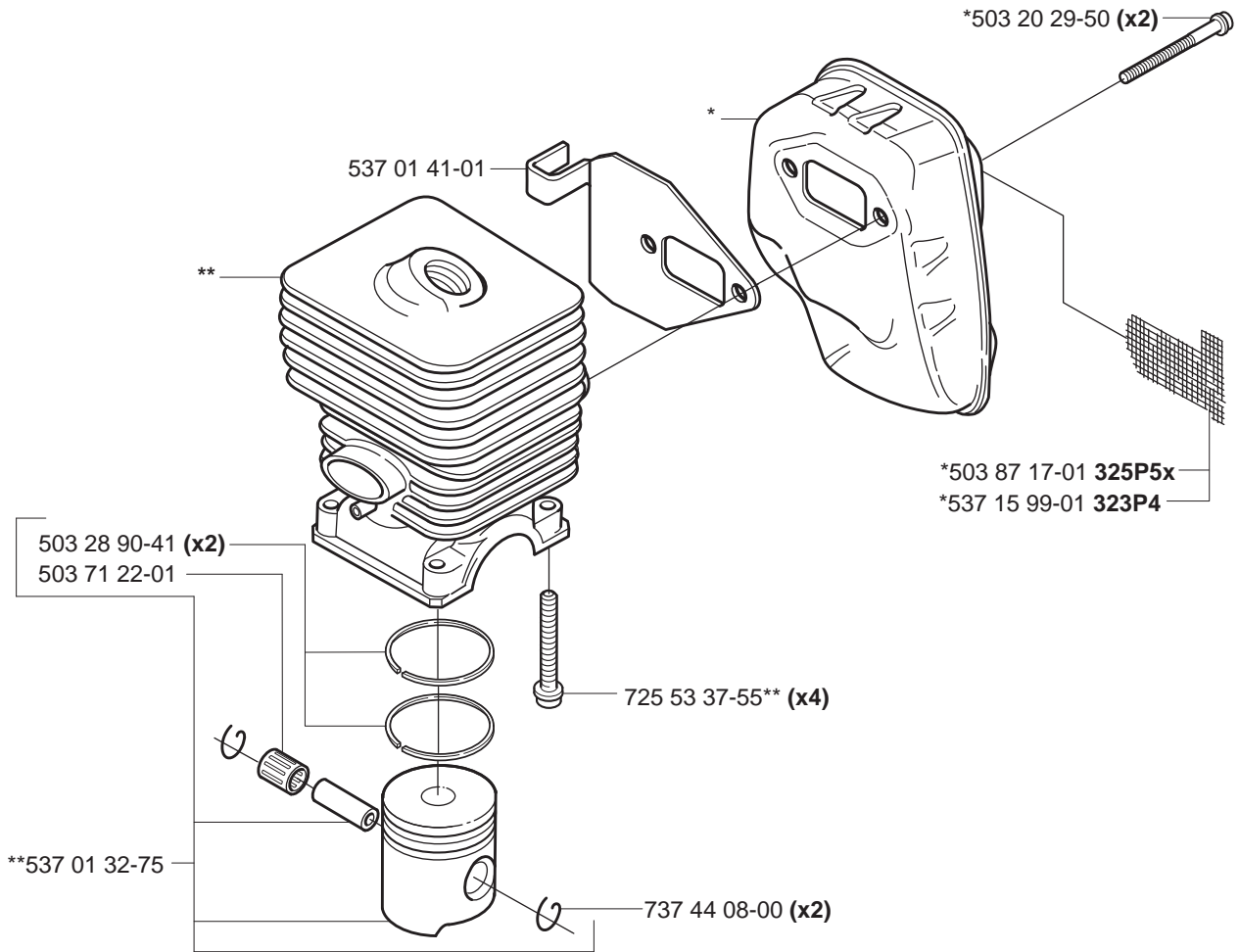
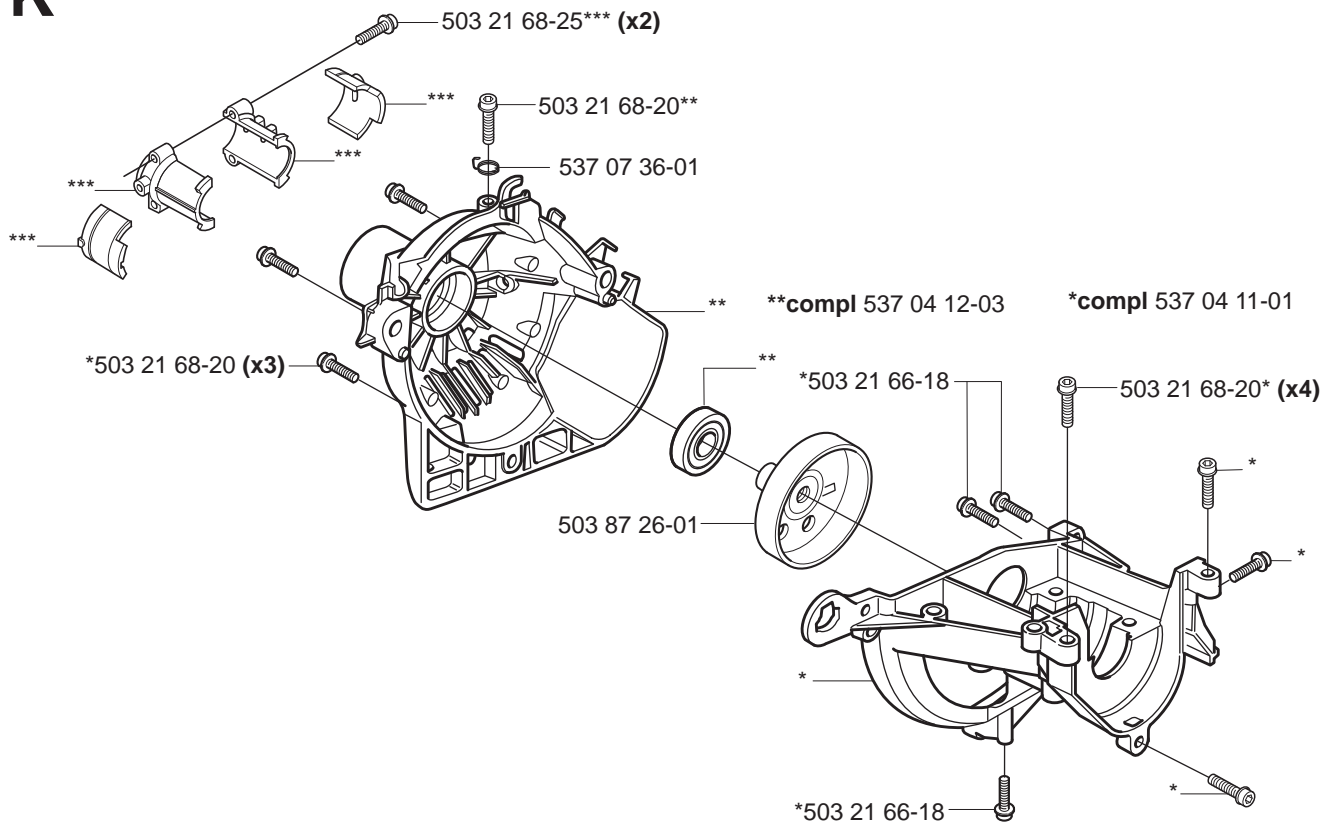
G *compl 537 06 86-02



H

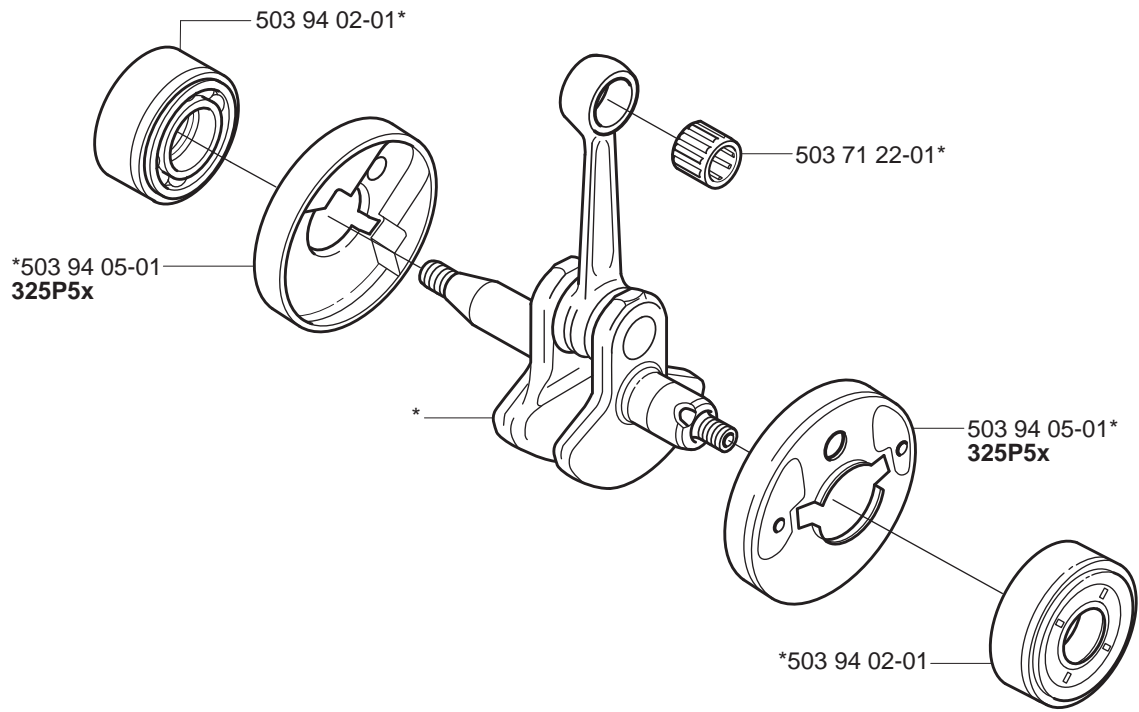
* compl 537 04 23-01



J****compl 537 03 20-05*****compl 537 03 94-01 325P5x**
compl 537 16 19-01 323P4****K****compl 537 30 96-01**

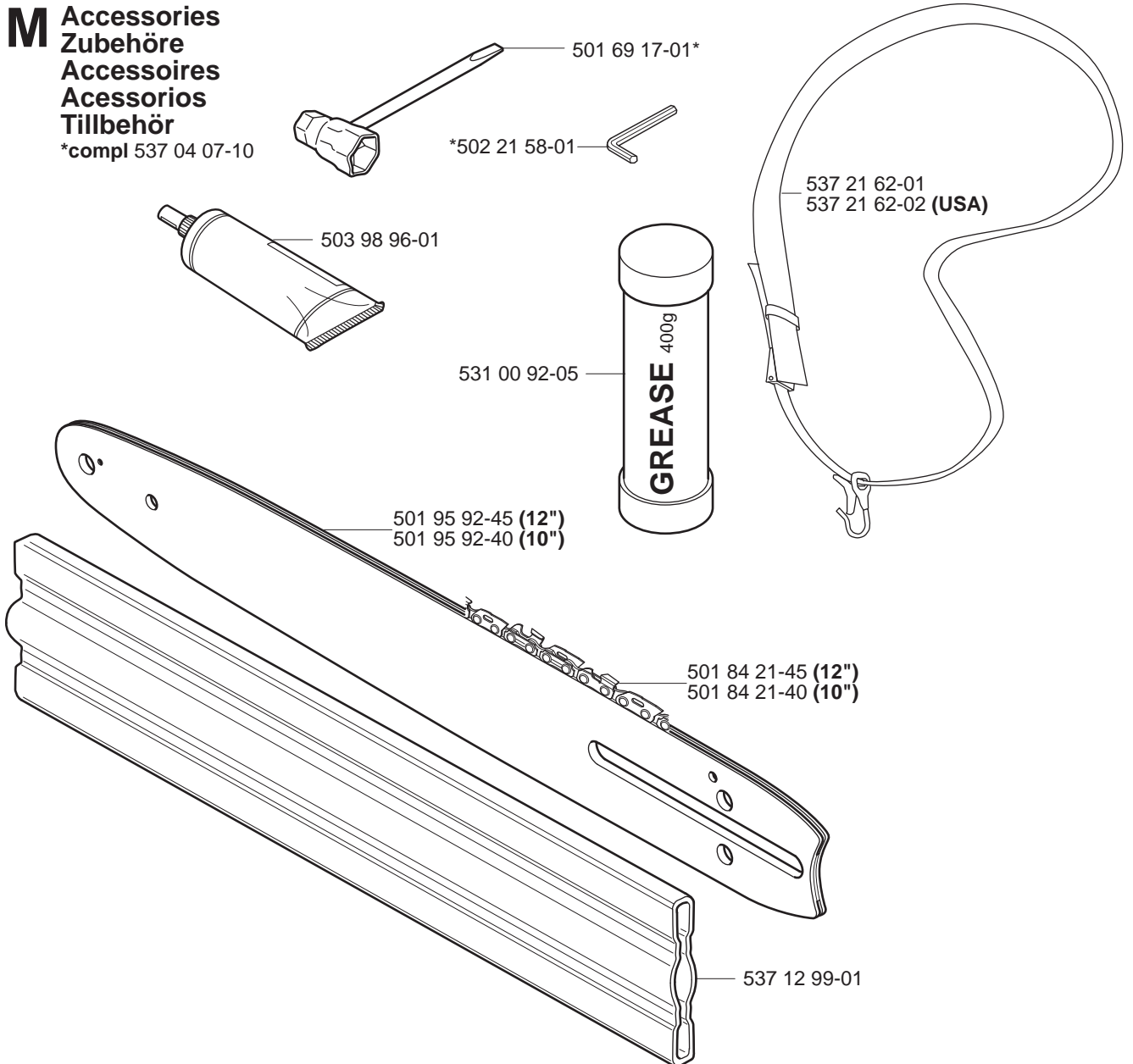
L

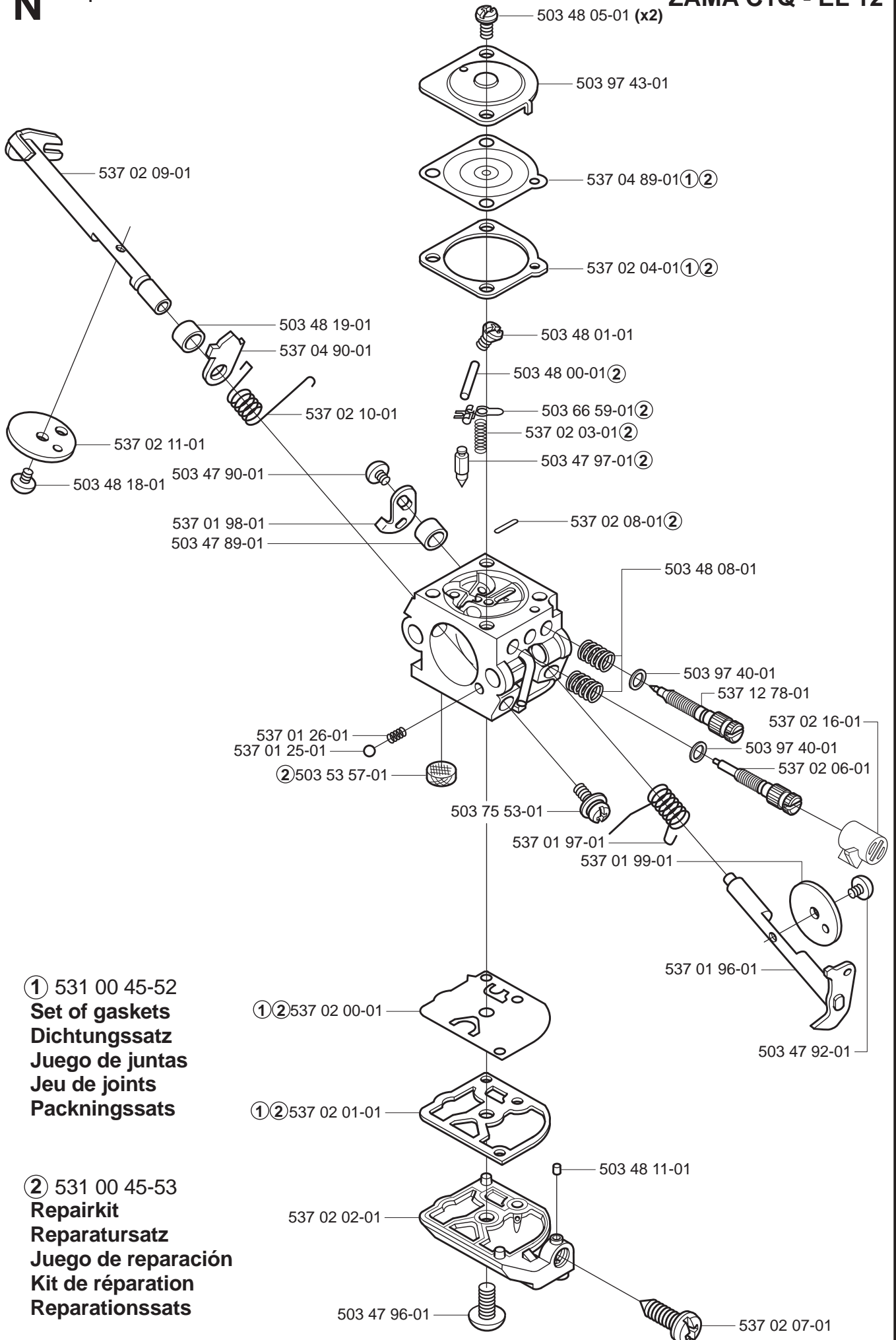
*compl 503 85 24-74



M Accessories
Zubehöre
Accessoires
Acessorios
Tillbehör

*compl 537 04 07-10

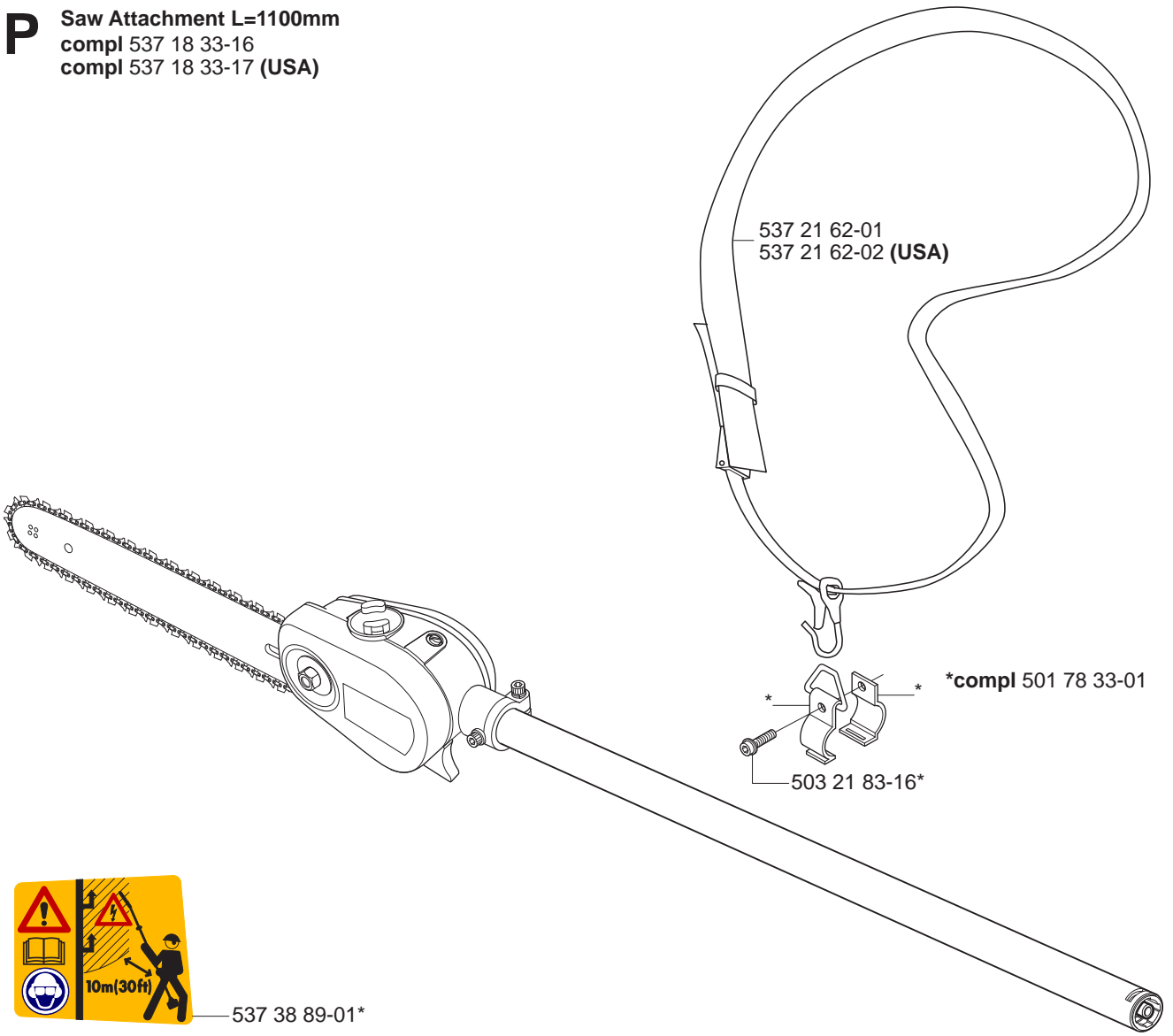




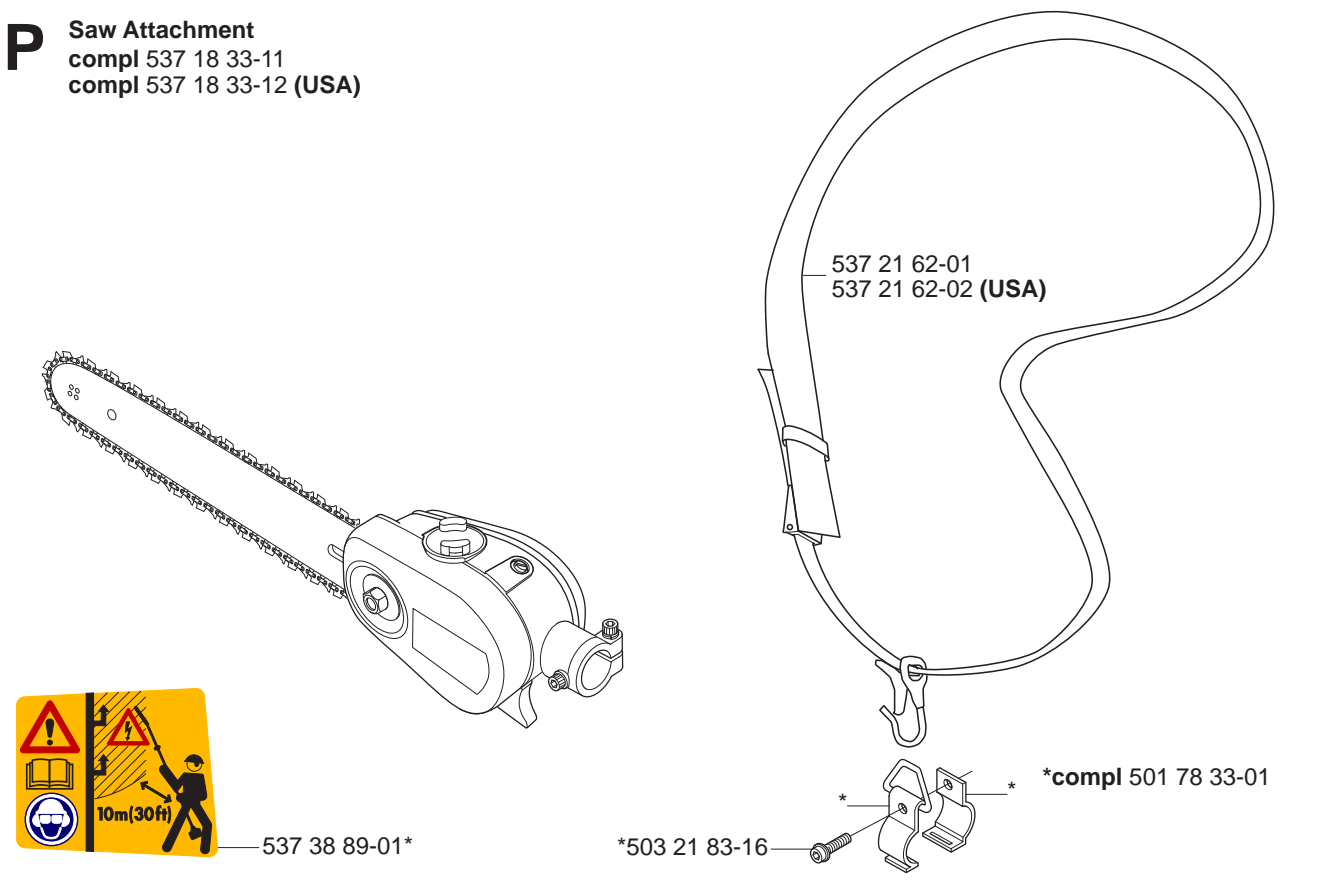
(1) 531 00 45-52
Set of gaskets
Dichtungssatz
Juego de juntas
Jeu de joints
Packningssatz

(2) 531 00 45-53
Repairkit
Reparatursatz
Juego de reparación
Kit de réparation
Reparationsssatz

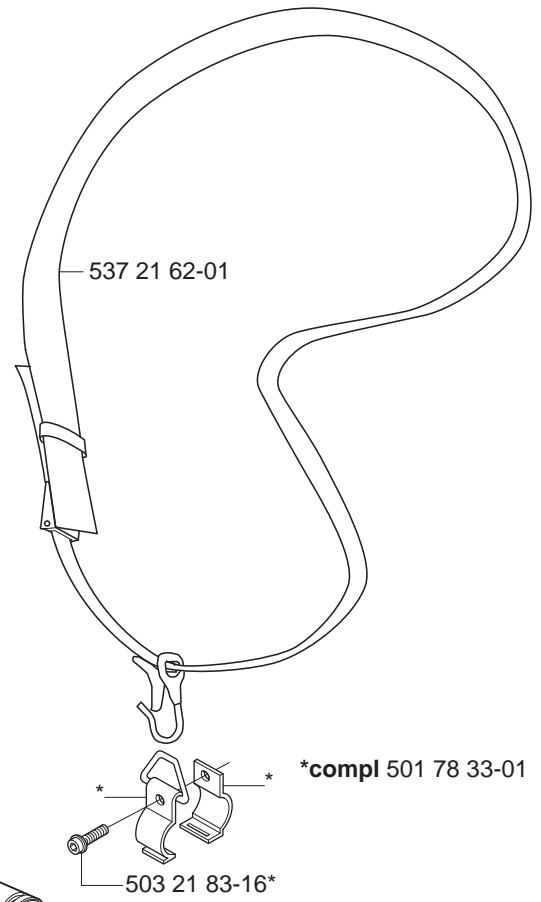
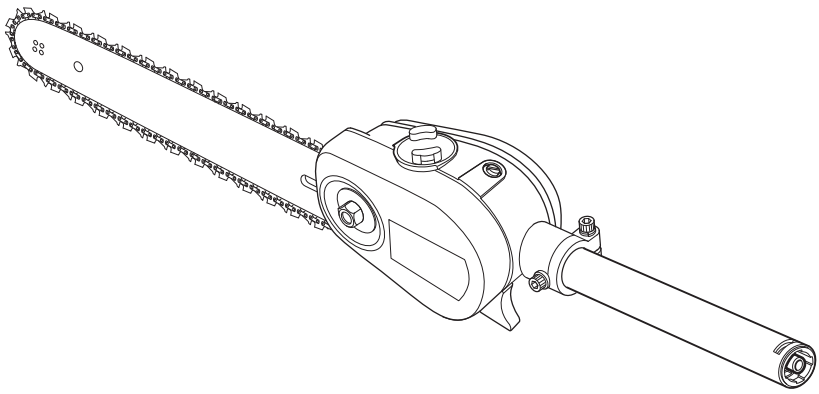
P Saw Attachment L=1100mm
compl 537 18 33-16
compl 537 18 33-17 (USA)



P Saw Attachment
compl 537 18 33-11
compl 537 18 33-12 (USA)



P Saw Attachment L=110mm
compl 537 18 33-13



537 38 89-01*