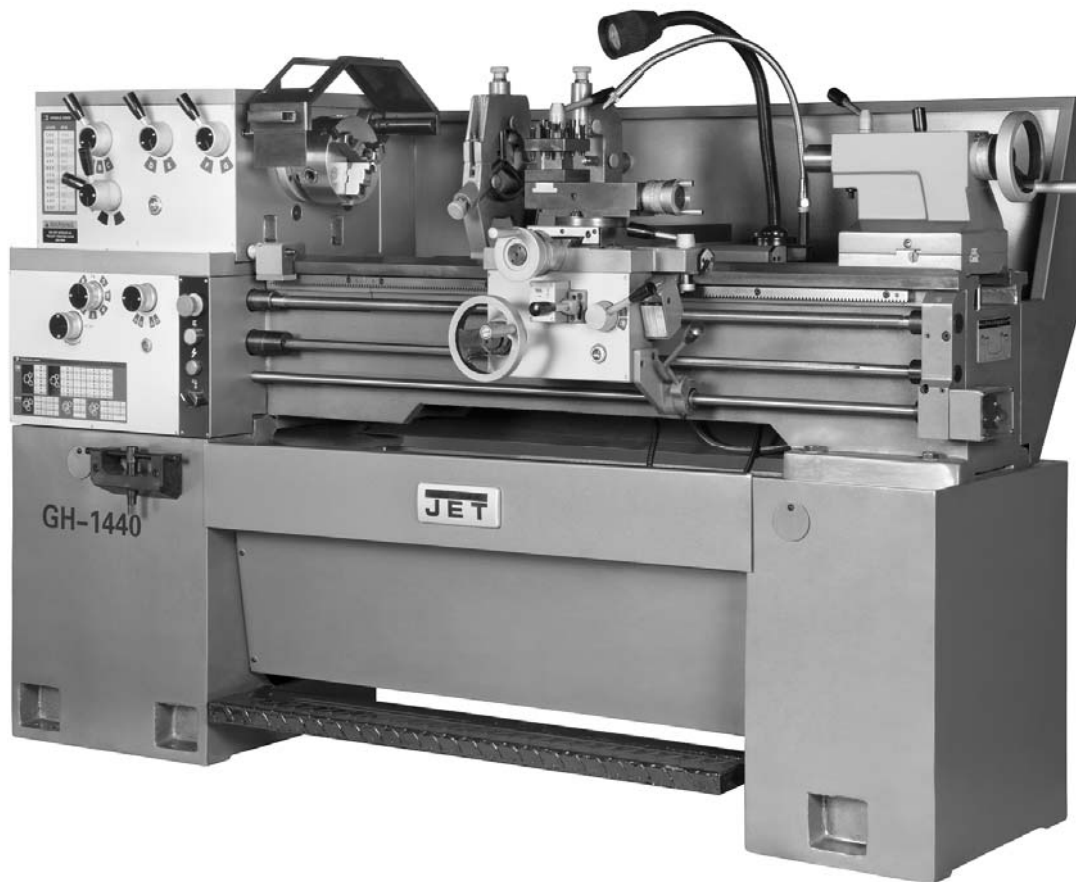




Operating Instructions and Parts Manual

Geared Head Lathe 14x40 inch

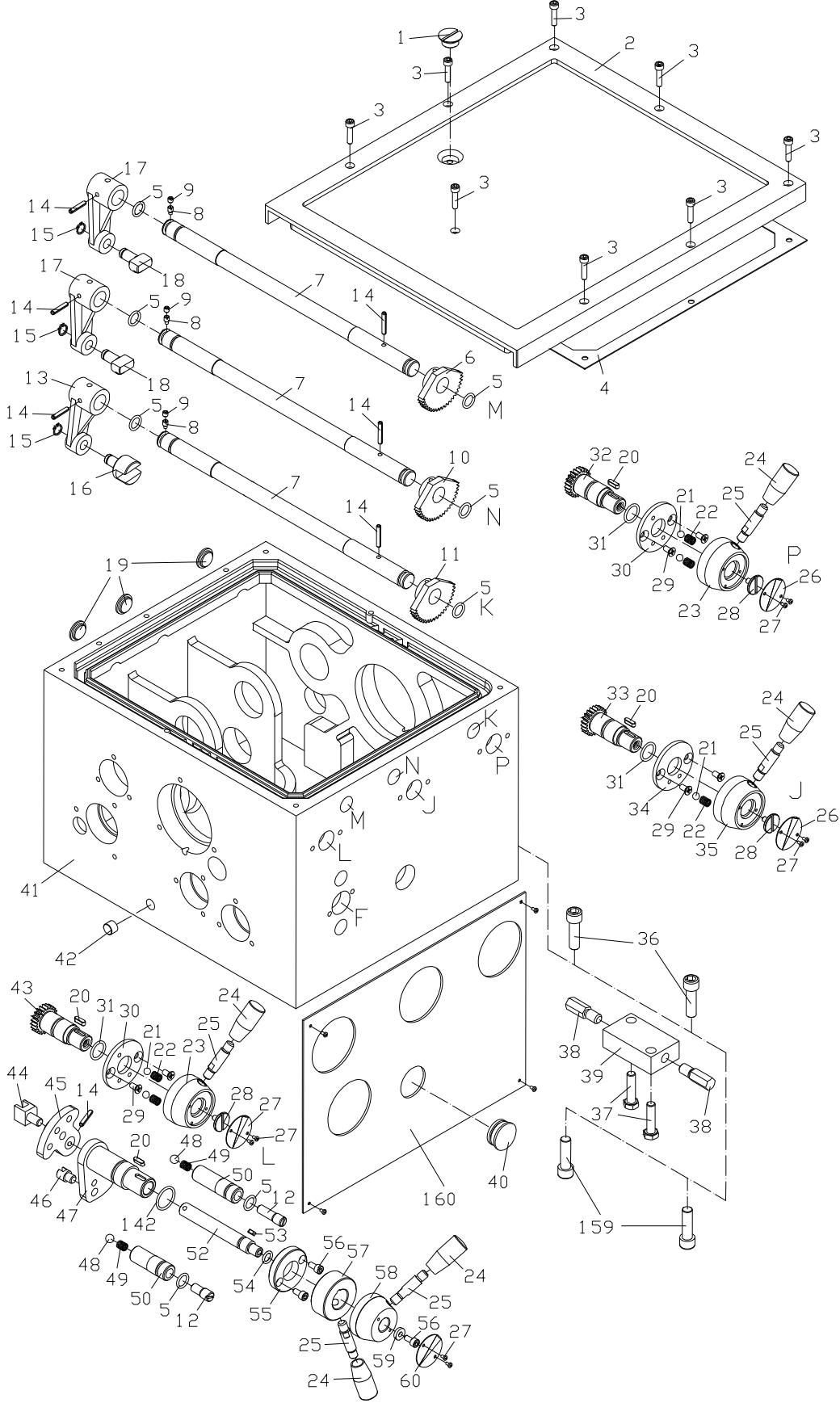
Model GH-1440



JET
427 New Sanford Road
LaVergne, Tennessee 37086
Ph.: 800-274-6848
www.jettools.com

Part No. M-322830
Edition 3 08/2018
Copyright © 2017 JET

14.1.1 Headstock Assembly I – Exploded View

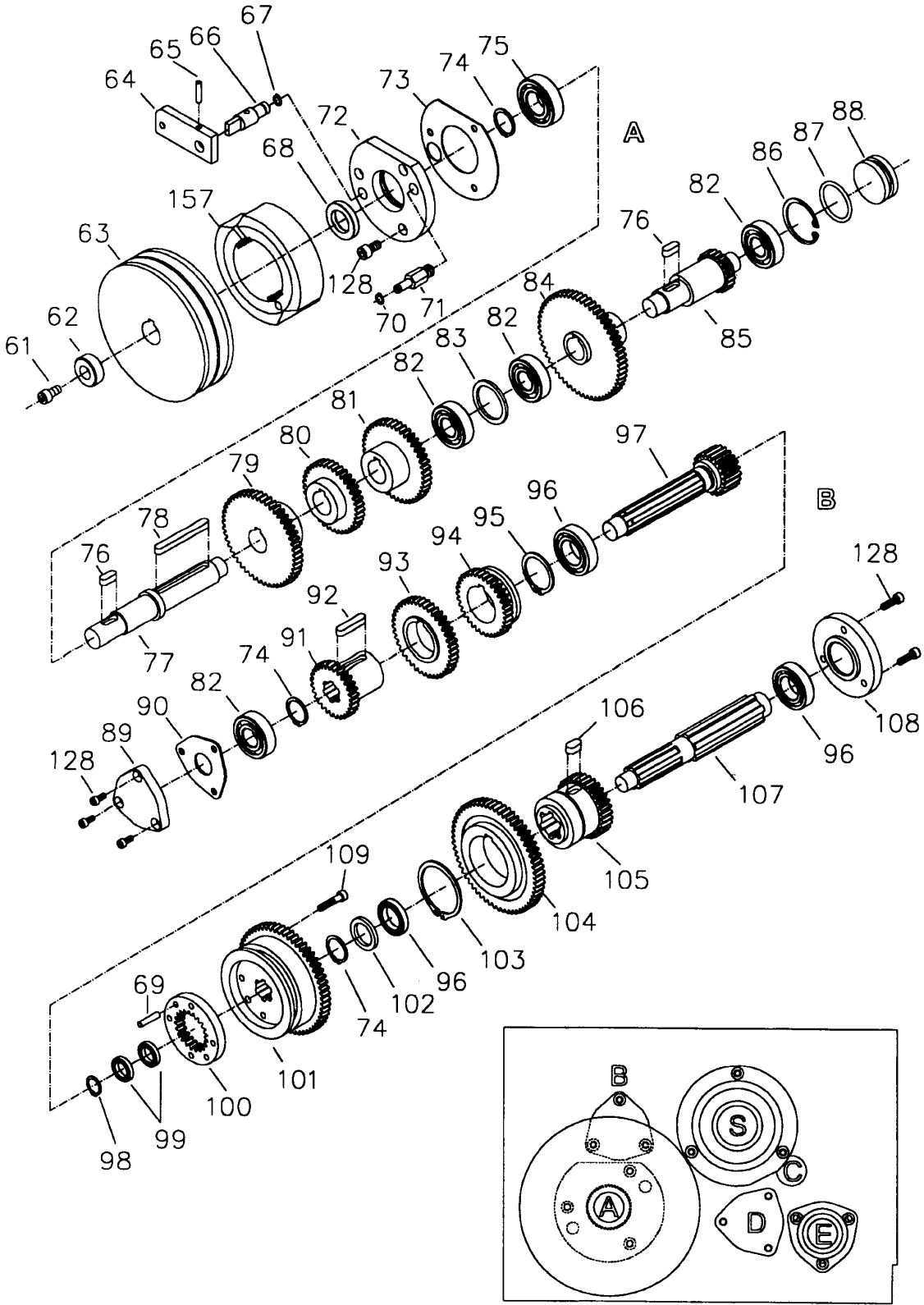


14.1.2 Headstock Assembly I – Parts List

| Index No. | Part No. | Description | Size | Qty |
|-----------|-------------------|-------------------------|--------------|-----|
| 1 | C6136-02755 | Plug | | 1 |
| 2 | GH1440K-02119 | Headstock Cover | | 1 |
| 3 | TS-1503061 | Hex Socket Hd Cap Screw | M6x25 | 6 |
| 4 | GH1440K-02509 | Gasket | | 1 |
| 5 | GH1440K-005 | O-Ring | 14x2.65 mm | 8 |
| 6 | GH1440-04-38 | Gear | 38T | 1 |
| 7 | GH1440K-02749 | Shaft | | 3 |
| 8 | TS-1523031 | Socket Set Screw | M6x10 | 3 |
| 9 | F010445 | Socket Set Screw FP | M6x6 | 3 |
| 10 | GH1440-04-37 | Gear | 48T | 1 |
| 11 | GH1440-04-36 | Gear | 43T | 1 |
| 12 | GH1440K-02754 | Set Screw | | 1 |
| 13 | GH1440-04-43 | Shift Arm | | 1 |
| 14 | ZX-S48 | Spring Pin | 5x30 mm | 7 |
| 15 | F006041 | C-Retaining Ring, Ext | 12 mm | 3 |
| 16 | GH1440-04-45 | Shift Fork | | 1 |
| 17 | GH1440-04-35 | Shift Arm | | 2 |
| 18 | GH1440-04-44 | Gear Shifter | | 2 |
| 19 | GH1440K-02748 | Plug | | 3 |
| 20 | 5510677 | Key, Dbl Rd Hd | 5x16 mm | 4 |
| 21 | SB-8MM | Steel Ball | 8 mm | 5 |
| 22 | C6240-20018 | Spring | | 5 |
| 23 | GH1440-04-49 | Lever Hub | | 2 |
| 24 | GB4141.14-BM10x50 | Knob | | 5 |
| 25 | GH1440-04-34 | Handle Lever | | 5 |
| 26 | GH1440K-02303 | Lever Indicator Plate | | 4 |
| 27 | TS-1531012 | Pan Hd Screw | M3x6 | 14 |
| 28 | GH1440-04-59 | Screw | | 3 |
| 29 | TS-1514011 | Socket Hd Flat Screw | M6x12 | 6 |
| 30 | GH1440-04-50 | Position Plate | | 2 |
| 31 | GH1440K-031 | O-Ring | 19x2.65 mm | 3 |
| 32 | GH1440-04-40 | Gear Shaft | 22T | 1 |
| 33 | GH1440-04-42 | Gear Shaft | 17T | 1 |
| 34 | GH1440-04-51 | Position Plate | | 1 |
| 35 | GH1440-04-58 | Lever Hub | | 1 |
| 36 | TS-1506051 | Hex Socket Hd Cap Screw | M12x40 | 2 |
| 37 | GB5782-86 | Alignment Bolt | M10x40 | 2 |
| 38 | GH1440-04-62 | Alignment Bolt | | 2 |
| 39 | GH1440-04-63 | Alignment Block | | 1 |
| 40 | GB1160.1-89 | Oil Sight Glass | 20 mm | 1 |
| 41 | GH1440K-02101 | Headstock Casting | | 1 |
| 42 | 05-75 | Drain Plug | | 1 |
| 43 | GH1440-04-39 | Gear Shaft | 27T | 1 |
| 44 | GH1440-04-47 | Shaft Fork | | 1 |
| 45 | GH1440-04-36 | Shifting Crank | | 1 |
| 46 | GH1440-04-71 | Shaft Fork | | 1 |
| 47 | GH1440K-02117 | Shifting Crank | | 1 |
| 48 | SB-10MM | Steel Ball | 10 mm | 2 |
| 49 | GB2089 | Spring | 0.9×9×40 mm | 2 |
| 50 | GH1440K-02753 | Shaft | | 1 |
| 51 | GH1440K-02755 | Shaft | | 1 |
| 52 | GH1440K-02747 | Shaft | | 1 |
| 53 | GB1096-4X10 | Key, Dbl Rd Hd | 4x10 mm | 1 |
| 54 | GH1440K-054 | O-Ring | 10.6x2.65 mm | 1 |
| 55 | GH1440-04-55 | Collar | | 1 |
| 56 | TS-150303 | Hex Socket Hd Cap Screw | M6x12 | 3 |
| 57 | GH1440-04-57 | Collar | | 1 |
| 58 | GH1440-04-58 | Lever Hub | | 1 |
| 59 | TS-1550041 | Flat Washer | 6mm | 1 |
| 60 | GH1440K-02756 | Lever Indicator Plate | | 1 |

| Index No. | Part No. | Description | Size | Qty |
|------------------|------------------|-------------------------|-------------|------------|
| 142 | GH1440K-142 | O-Ring | 25x2.65 mm | 3 |
| 159 | TS-1506041 | Hex Socket Hd Cap Screw | M12x35 | 2 |
| 160 | GH1440K-02304-24 | Name Plate | | 1 |

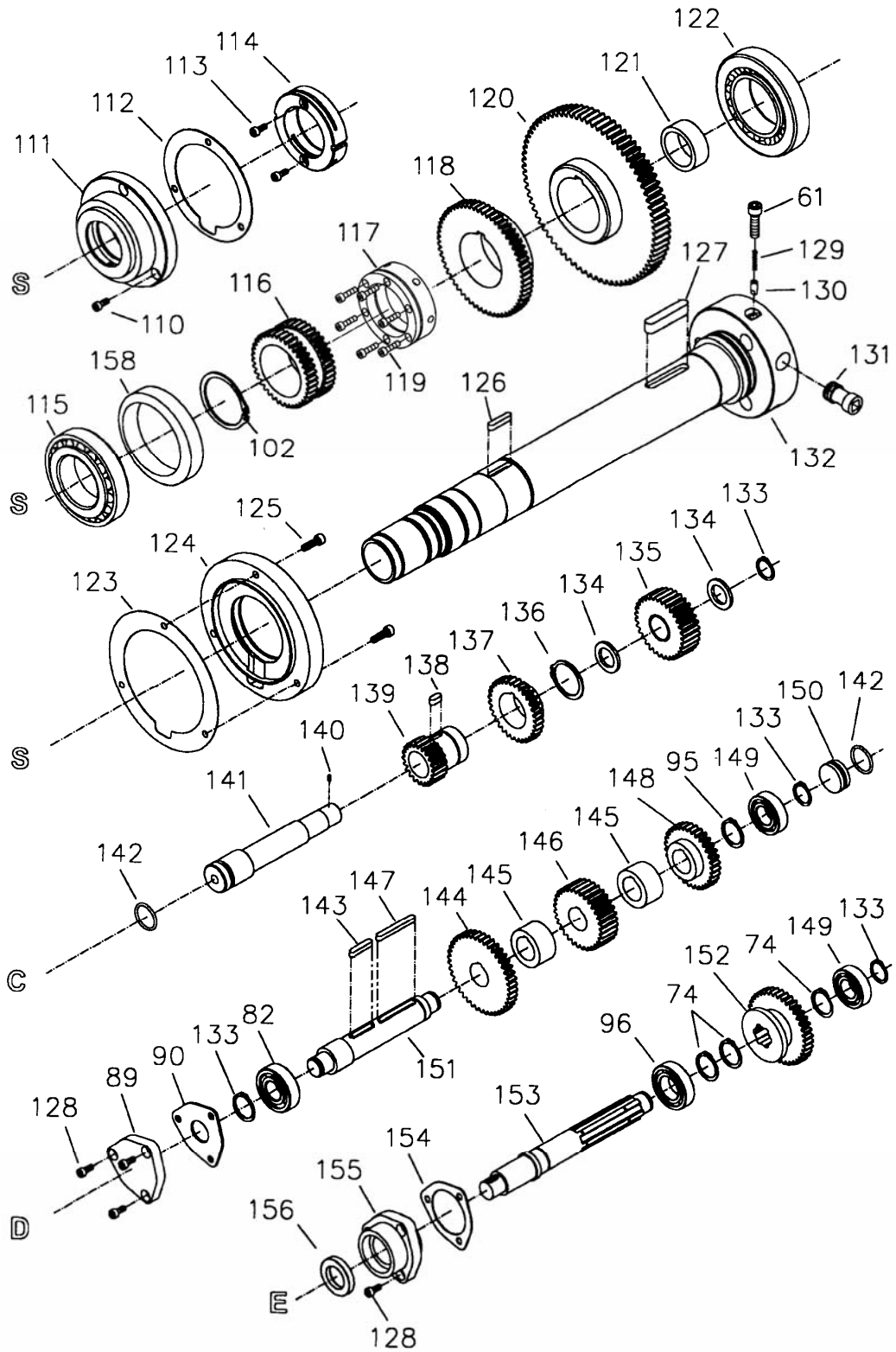
14.2.1 Headstock Assembly II – Exploded View



14.2.2 Headstock Assembly II – Parts List

| Index No. | Part No. | Description | Size | Qty |
|-----------|---------------|-------------------------|-----------|-----|
| 61 | TS-1504031 | Hex Socket Hd Cap Screw | M8x16 | 1 |
| 62 | 04-12 | Washer | | 1 |
| 63 | 04-11 | Pulley | | 1 |
| 64 | GH1440K-02722 | Brake Block | | 1 |
| 65 | 5625391 | Spring Pin | 5x16 mm | 1 |
| 66 | 11-09 | Brake Actuator Shaft | | 1 |
| 67 | F006041 | C-Retaining Ring, Ext | 12 mm | 1 |
| 68 | GB9877.1-88 | Spacer | SD25x45x7 | 1 |
| 69 | GHW-H69 | Taper Pin | A6x26 mm | 2 |
| 70 | F006039 | C-Retaining Ring, Ext | 8 mm | 1 |
| 71 | 11-11 | Brake Retaining Stud | | 1 |
| 72 | 04-13 | Cover | | 1 |
| 73 | 04-14 | Gasket | | 1 |
| 74 | F006050 | C-Retaining Ring, Ext | 25 mm | 6 |
| 75 | BB-6205 | Ball Bearing | 6205/p5 | 1 |
| 76 | AK052 | Key, Dbl Rd Hd | 8x20 mm | 2 |
| 77 | GH1440K-02718 | Shaft | | 1 |
| 78 | GHW-H78 | Key | 8x72 mm | 1 |
| 79 | GH1440-04-04 | Gear | 50T | 1 |
| 80 | GH1440-04-05 | Gear | 37T | 1 |
| 81 | GH1440-04-06 | Gear | 43T | 1 |
| 82 | BB-6204 | Ball Bearing | 6204/p5 | 5 |
| 83 | GH1440-04-17 | Washer | | 1 |
| 84 | GH1440-04-12 | Gear | 57T | 1 |
| 85 | GH1440-04-11 | Gear Shaft | 20T | 1 |
| 86 | F006075 | C-Retaining Ring, Int | 47 mm | 1 |
| 87 | GH1440K-287 | O-Ring | 40x2.65 | 1 |
| 88 | GH1440K-02106 | Plug | | 1 |
| 89 | 04-53 | Bearing Cap | | 2 |
| 90 | 04-52 | Gasket | | 2 |
| 91 | GH1440-04-08 | Gear | 28T | 1 |
| 92 | GHW-H92 | Key, Dbl Rd Hd | 8x38 mm | 1 |
| 93 | GH1440-04-09 | Gear | 41T | 1 |
| 94 | GH1440-04-10 | Gear | 34T | 1 |
| 95 | F006055 | C-Retaining Ring, Ext | 40 mm | 1 |
| 96 | BB-6005 | Ball Bearing | 6005/p5 | 4 |
| 97 | GH1440K-02724 | Gear Shaft | 21T | 1 |
| 98 | F006045 | C-Retaining Ring, Ext | 17 mm | 1 |
| 99 | BB-61803 | Ball Bearing | 61803/p5 | 2 |
| 100 | GH1440-04-15 | Gear | 21T | 1 |
| 101 | GH1440-04-14 | Gear | 58T | 1 |
| 102 | GH1440K-02709 | Washer | | 1 |
| 103 | F006082 | C-Retaining Ring, Ext | 55 mm | 1 |
| 104 | GH1440-04-19 | Gear | 59T | 1 |
| 105 | GH1440-04-18 | Gear | 31T | 1 |
| 106 | GB1096-10X18 | Key, Dbl Rd Hd | 10x18 mm | 1 |
| 107 | GH1440-04-13 | Spline Shaft | | 1 |
| 108 | GH1440-04-24 | Cover | | 1 |
| 109 | TS-1503081 | Hex Socket Hd Cap Screw | M6x35 | 4 |
| 128 | JHM610-22 | Hex Socket Hd Cap Screw | M6x14 | 9 |
| 157 | 11-15 | Brake Shoe Assembly | | 1 |

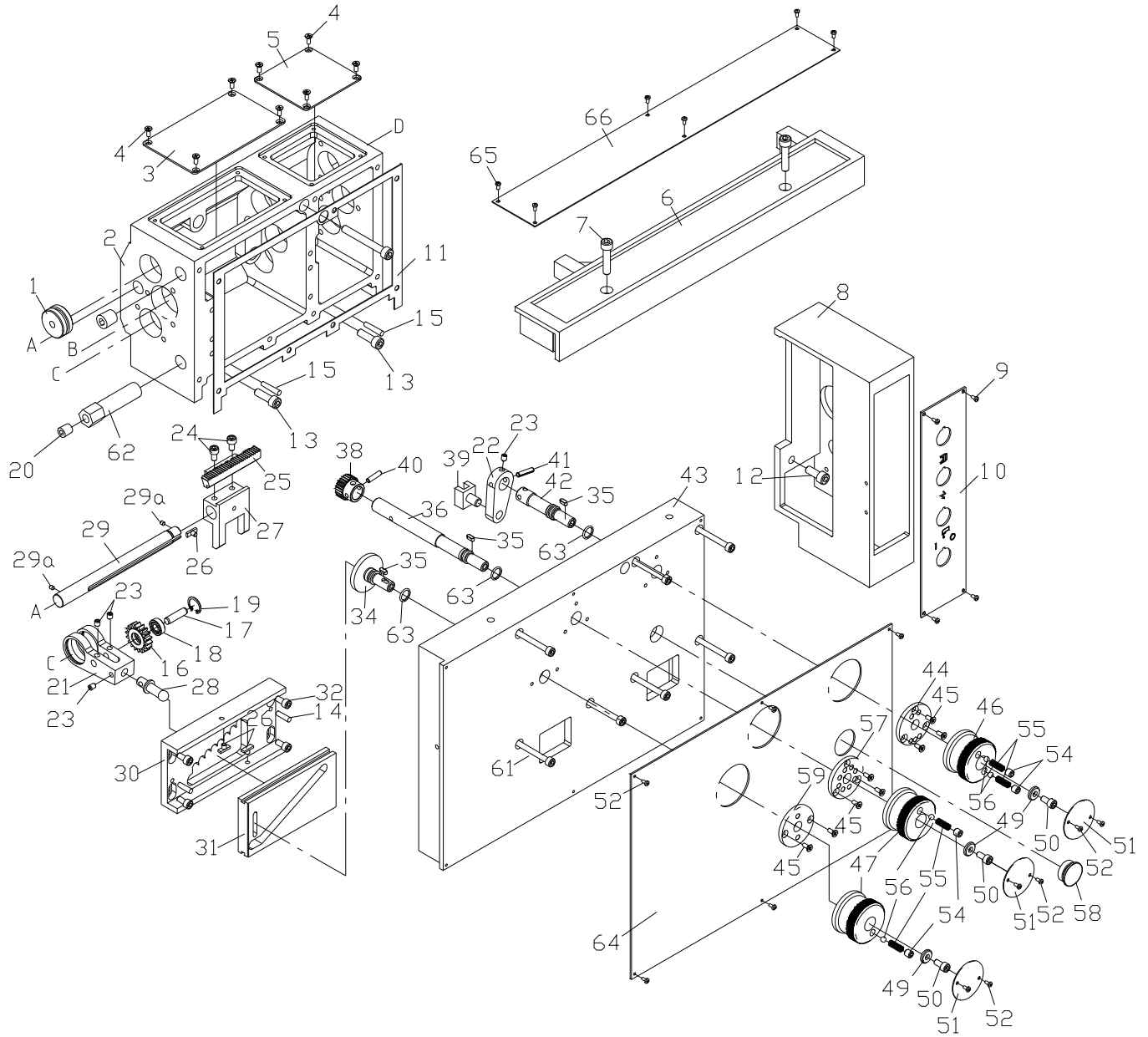
14.3.1 Headstock Assembly III – Exploded View



14.3.2 Headstock Assembly III – Parts List

| Index No. | Part No. | Description | Size | Qty |
|-----------|---------------|-------------------------|-----------|-----|
| 56 | TS-150303 | Hex Socket Hd Cap Screw | M6x12 | 18 |
| 61 | TS-1504031 | Hex Socket Hd Cap Screw | M8x16 | 3 |
| 74 | F006050 | C-Retaining Ring, Ext | 25 mm | 6 |
| 82 | BB-6204 | Ball Bearing | 6204/p5 | 5 |
| 89 | 04-53 | Bearing Cap | | 2 |
| 90 | 04-52 | Bearing Cap Gasket | | 2 |
| 95 | F006055 | C-Retaining Ring, Ext | 40 mm | 1 |
| 96 | BB-6005 | Ball Bearing | 6005/p5 | 4 |
| 102 | F006082 | C-Retaining Ring, Ext | 55 mm | 1 |
| 110 | TS-1503041 | Hex Socket Hd Cap Screw | M6x16 | 3 |
| 111 | GH1440-04-29 | Cover | | 1 |
| 112 | 04-60 | Gasket | | 1 |
| 113 | TS-1502031 | Hex Socket Hd Cap Screw | M5x12 | 2 |
| 114 | GH1440-04-31 | Nut | | 1 |
| 115 | BB-32011 | Tapered Roller Bearing | 32011/p5 | 1 |
| 116 | GH1440-04-30 | Gear | 38T | 1 |
| 117 | CK6125-02713 | Lock Collar | | 1 |
| 118 | GH1440-04-21 | Gear | 59T | 1 |
| 119 | TS-1502051 | Hex Socket Hd Cap Screw | M5x20 | 6 |
| 120 | GH1440-04-23 | Gear | 87T | 1 |
| 121 | GH1440-04-25 | Collar | | 1 |
| 122 | BB-30212 | Tapered Roller Bearing | 30212/p5 | 1 |
| 123 | GH1440-04-32 | Gasket | | 1 |
| 124 | GH1440-04-28 | Cover | | 1 |
| 125 | TS-1503061 | Hex Socket Hd Cap Screw | M6x25 | 3 |
| 126 | 5509094 | Key, Dbl Rd Hd | 6x30 mm | 1 |
| 127 | GHW-H127 | Key, Dbl Rd Hd | 10x55 mm | 1 |
| 128 | JHM610-22 | Hex Socket Hd Cap Screw | M6x14 | 6 |
| 129 | 04-31/1 | Spring | | 3 |
| 130 | 04-86 | Camlock Set Pin | | 3 |
| 131 | 04-85 | Camlock | | 3 |
| 132 | GH1440K-02701 | Spindle | | 1 |
| 133 | F006047 | C-Retaining Ring, Ext | 20 mm | 4 |
| 134 | 04-36 | Washer | | 2 |
| 135 | 04-35 | Gear Assembly | 32T | 1 |
| 136 | F006083 | C-Retaining Ring, Ext | 37 mm | 1 |
| 137 | 04-54 | Gear | 32T | 1 |
| 138 | KF2R5516 | Key, Dbl Rd Hd | 5x16 mm | 1 |
| 139 | 04-55 | Gear Assembly | 32T | 1 |
| 140 | TS-1523041 | Socket Set Screw | M6x12 | 1 |
| 141 | 04-37 | Shaft | | 1 |
| 142 | GH1440K-342 | O-Ring | 25x2.65 | 3 |
| 143 | GHW-H126 | Key | 6x30 mm | 1 |
| 144 | GH1440K-02733 | Gear | 42T | 1 |
| 145 | GH1440K-02111 | Collar | | 2 |
| 146 | 04-44 | Gear | 32T | 1 |
| 147 | GHB1340-108 | Key, Dbl Rd Hd | 6x55 mm | 1 |
| 148 | GH1440K-02736 | Gear | 32T | 1 |
| 149 | BB-6004 | Ball Bearing | 6004/p5 | 2 |
| 150 | GH1440K-02102 | Plug | | 1 |
| 151 | GH1440K-02732 | Shaft | | 1 |
| 152 | 04-43 | Gear | 38T | 1 |
| 153 | 04-42 | Spline Shaft | | 1 |
| 154 | 04-48 | Gasket | | 1 |
| 155 | 04-49 | Cover | | 1 |
| 156 | GB9877.1-88 | Spacer | SD25x40x7 | 1 |
| 158 | GH1440-04-65 | Collar | | 1 |

14.4.1 Gearbox Assembly I – Exploded View

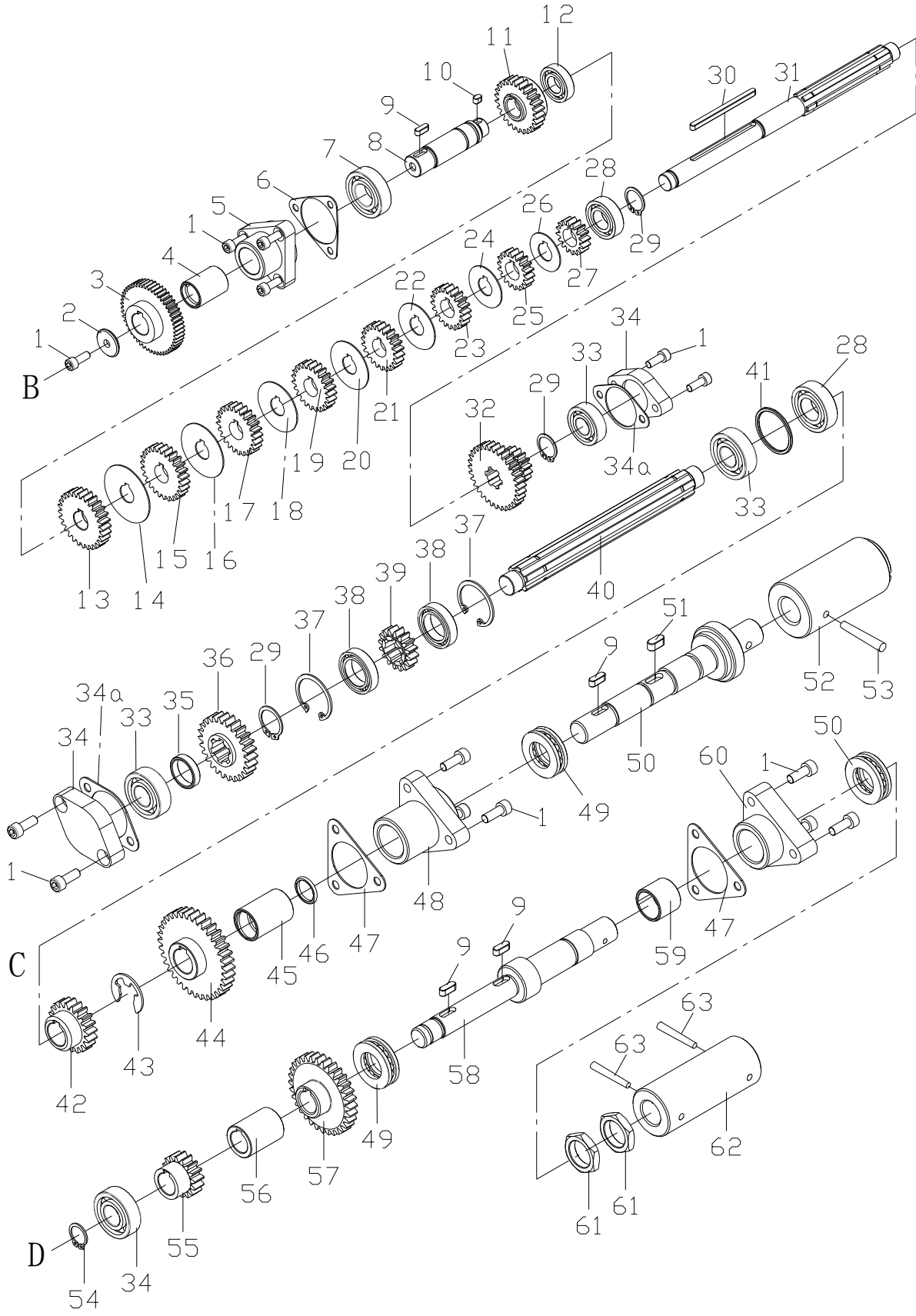


14.4.2 Gearbox Assembly I – Parts List

| Index No. | Part No. | Description | Size | Qty |
|-----------|-----------------|---------------------------|-------------|-----|
| 1 | 05-73 | Plug | | 1 |
| 2 | GH1440K-05101 | Gearbox Casting | | 1 |
| 3 | 05-07 | Front Cover | | 1 |
| 4 | TS-1512011 | Socket Flat Head Screw | M4x10 | 8 |
| 5 | GH1440A-05719 | Oil Cover | | 1 |
| 6 | GH1440K-05501 | Cover | | 1 |
| 7 | TS-1504071 | Hex Socket Hd Cap Screw | M8x35 | 2 |
| 8 | GH1440-05-09 | Bracket | | 1 |
| 9 | GB2672 | Screw | M3x6 | 4 |
| 10 | GH1440K-18301-2 | Electrical Plate | | 1 |
| 11 | 05-61 | Gasket | | 1 |
| 12 | TS-1504081 | Hex Socket Hd Cap Screw | M8x40 | 2 |
| 13 | TS-1504051 | Hex Socket Hd Cap Screw | M8x25 | 3 |
| 14 | ZX-S75 | Taper Pin | 5x20 mm | 2 |
| 15 | GH1440K-415 | Taper Pin | 5x28 mm | 2 |
| 16 | 05-50 | Gear | 18T | 1 |
| 17 | 05-51 | Shaft | 8x30 mm | 1 |
| 18 | GB/T276-94 | Bearing | 619/8/p5 | 1 |
| 19 | F006084 | C-Retaining Ring, Int | 19 mm | 1 |
| 20 | 05-75 | Plug | | 2 |
| 21 | 05-03 | Shifter | | 1 |
| 22 | GH1440A-5107 | Shift Arm | | 1 |
| 23 | TS-2276081 | Socket Set Screw | M6x8 | 4 |
| 24 | TS-1503021 | Hex Socket Hd Cap Screw | M6x10 | 2 |
| 25 | 05-13 | Rack | | 1 |
| 26 | 05-01 | Shift Key | | 3 |
| 27 | 05-12 | Shift Fork | | 1 |
| 28 | GH1440-0128 | Shaft | | 1 |
| 29 | 05-15 | Shaft | | 1 |
| 29a | TS-2276081 | Socket Set Screw | M6x8 | 2 |
| 30 | 05-05 | Locating Plate | | 1 |
| 31 | 05-04 | Control Plate | | 1 |
| 32 | TS-150303 | Hex Socket Hd Cap Screw | M6x12 | 4 |
| 34 | GH1440K-05701 | Shift Hub | | 1 |
| 35 | 6293384 | Key, Dbl Rd Hd | 4x10 mm | 3 |
| 36 | GH1440K-05702 | Shaft | | 1 |
| 38 | 05-14 | Gear | 26T | 1 |
| 39 | 05-55 | Shift Fork | | 1 |
| 40 | GA7X-122 | Spring Pin | 5x20 mm | 1 |
| 41 | GHB1340-A82 | Spring Pin | 5x25 mm | 1 |
| 42 | GH1440K-05703 | Shaft | | 1 |
| 43 | GH1440K-05102 | Cover | | 1 |
| 44 | 05-58 | Locating Disc | | 1 |
| 45 | TS-1512011 | Socket Flat Hd Screw | M4x10 | 8 |
| 46 | GH14440K-05724 | Shift Hub | | 1 |
| 47 | GH1440-05-13 | Shift Hub | | 2 |
| 49 | 05-08 | Washer | | 3 |
| 50 | TS-1503041 | Hex Socket Hd Cap Screw | M6x16 | 3 |
| 51 | GH1440K-05302 | Shift Hub Indicator Plate | | 3 |
| 52 | TS-1531012 | Pan Head Screw | M3x6 | 6 |
| 54 | TS-1524011 | Socket Set Screw | M8x8 | 4 |
| 55 | GH1440K-455 | Spring | 0.8x5x25 mm | 4 |
| 56 | SB-6.5MM | Steel Ball | 6.5 mm | 4 |
| 57 | 05-10 | Locating Disc | | 1 |
| 58 | GH1440-05-27 | Oil Sight Glass | | 1 |
| 59 | 05-59 | Locating Disc | | 1 |
| 61 | TS-1503111 | Hex Socket Hd Cap Screw | M6x50 | 7 |
| 62 | GHB1340A-05724 | Oil Drain Pipe | | 1 |
| 63 | G51-2A | O-Ring | | 3 |

| Index No. | Part No. | Description | Size | Qty |
|------------------|------------------|-----------------------------|-------------|------------|
| 64 | GH1440K-05301-19 | Name Plate | | 1 |
| 65 | GB2672 | Screw | M3x6 | 6 |
| 66 | GH1440K-05303 | Graphic Plate - Speed Chart | | 1 |

14.5.1 Gearbox Assembly II – Exploded View

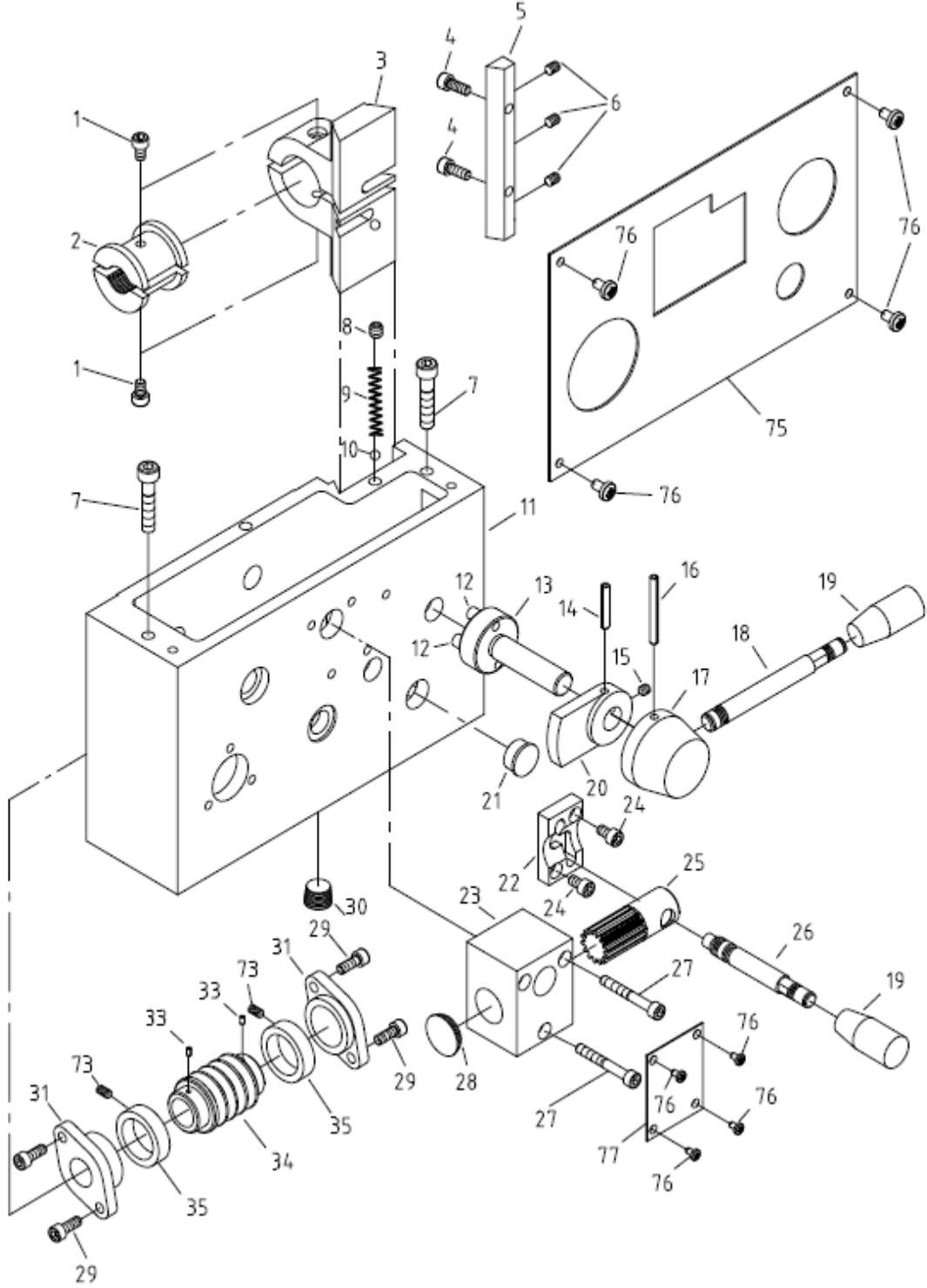


14.5.2 Gearbox Assembly II – Parts List

| Index No. | Part No. | Description | Size | Qty |
|-----------|----------------|-----------------------|-----------|-----|
| 1 | TS-1503041 | Hex Socket Cap Screw | M6x16 | 1 |
| 2 | 05-42 | Washer | | 1 |
| 3 | 05-41 | Gear | 52T | 1 |
| 4 | GH1440A-05305 | Shaft Collar | | 1 |
| 5 | 05-39 | Flange | | 1 |
| 6 | 05-38 | Gasket | | 1 |
| 7 | BB-6004 | Ball Bearing | 6004/P5 | 1 |
| 8 | GH1440A-05725 | Shaft (Inch) | | 1 |
| 9 | GB1096-5x14 | Key, Dbl Rd Hd | 5x14 mm | 4 |
| 10 | KF2R5508 | Key, Dbl Rd Hd | 5x8 mm | 1 |
| 11 | GH1440A-05722 | Gear | | 1 |
| 12 | GB/T276-94 | Ball Bearing | 16002/p5 | 1 |
| 13 | 05-35 | Gear | 28T | 1 |
| 14 | GH1440K-05719 | Key Slot Washer | | 1 |
| 15 | GH1440K-05712 | Gear | 26T | 1 |
| 16 | GH1440K-05718 | Key Slot Washer | | 1 |
| 17 | GH1440K-05711 | Gear | 24T | 1 |
| 18 | GH1440K-05717 | Key Slot Washer | | 1 |
| 19 | GH1440K-05710 | Gear | 23T | 1 |
| 20 | GH1440K-05716 | Key Slot Washer | | 1 |
| 21 | GH1440K-05709 | Gear | 22T | 1 |
| 22 | GH1440K-05715 | Key Slot Washer | | 1 |
| 23 | GH1440K-05708 | Gear | 20T | 1 |
| 24 | GH1440K-05714 | Key Slot Washer | | 1 |
| 25 | GH1440K-05707 | Gear | 18T | 1 |
| 26 | GH1440K-05713 | Key Slot Washer | | 1 |
| 27 | GH1440K-05706 | Gear | 16T | 1 |
| 28 | BB-6003 | Ball Bearing | 6003/P5 | 2 |
| 29 | F006047 | C-Retaining Ring, Ext | 20 mm | 3 |
| 30 | F014005 | Key, Dbl Rd Hd | 5x5x75 mm | 1 |
| 31 | GH1440A-05733A | Shaft (Inch) | | 1 |
| 32 | GH1440A-05721 | Gear | 16T/32T | 1 |
| 33 | BB-6202 | Ball Bearing | 6202/p5 | 3 |
| 34 | 05-47 | Flange | | 2 |
| 34a | 05-48 | Flange | | 2 |
| 35 | GH1440A-05118 | Shaft Collar | | 1 |
| 36 | 05-37 | Gear | 26T | 1 |
| 37 | F006031 | C-Retaining Ring, Int | 32 mm | 2 |
| 38 | BB-61804 | Ball Bearing | 61804/p5 | 2 |
| 39 | 05-49 | Gear | 16T | 1 |
| 40 | 05-52 | Shaft | | 1 |
| 41 | GH1440A-05729 | Shaft Collar | | 1 |
| 42 | 05-25 | Gear | 20T | 1 |
| 43 | PT2748A-032 | E-Ring | 15 mm | 1 |
| 44 | 05-19 | Gear | 32T | 1 |
| 45 | GH1440A-05306 | Shaft Collar | | 1 |
| 46 | G51-2A | O-Ring | 20X2.4 mm | 1 |
| 47 | 05-53 | Gasket | | 2 |
| 48 | 05-17 | Flange | | 1 |
| 49 | BB-51104 | Ball Bearing | 51104 | 2 |
| 50 | GH1440K-05704 | Shaft | | 1 |
| 51 | 5217851 | Key, Dbl Rd Hd | 6x6x14 mm | 1 |
| 52 | GH1440K-05727 | Collar | | 1 |
| 53 | GB117-5x40 | Taper Pin | 5x40 mm | 1 |
| 54 | F006043 | C-Retaining Ring, Ext | 15 mm | 1 |
| 55 | 05-26 | Gear | 16T | 1 |
| 56 | 05-24 | Shaft Collar | | 1 |
| 57 | 05-22 | Gear | 32T | 1 |

| Index No. | Part No. | Description | Size | Qty |
|------------------|-----------------|--------------------|-------------|------------|
| 58 | GH1440K-05705 | Shaft | | 1 |
| 59 | GH1440A-05307 | Shaft Collar | | 1 |
| 60 | 05-18 | Flange | | 1 |
| 61 | 05-20 | Nut | | 2 |
| 62 | GH1440K-05726 | Collar | | 1 |
| 63 | GB117-4x35 | Taper Pin | 4x35 mm | 2 |

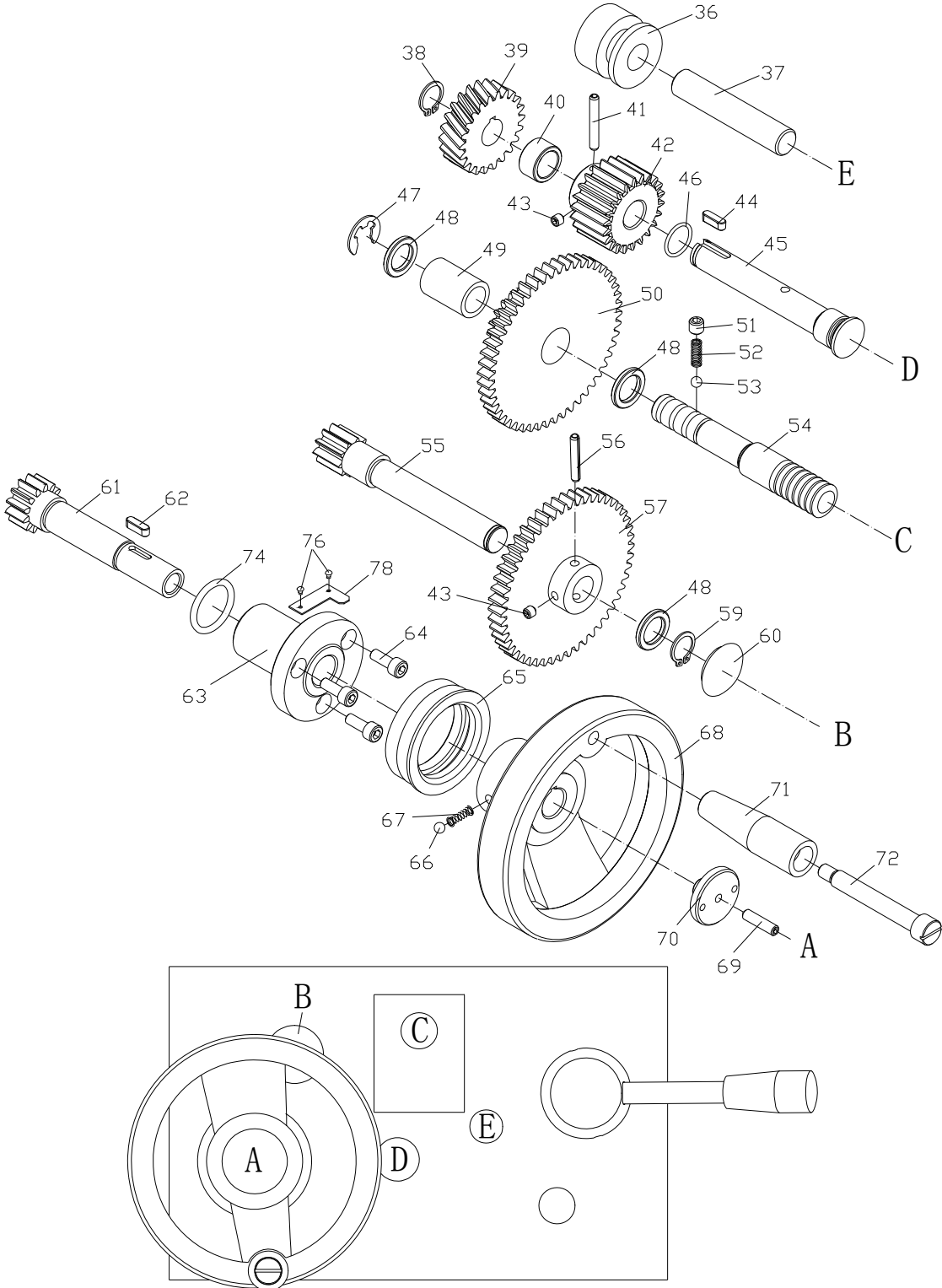
14.6.1 Apron Assembly I – Exploded View



14.6.2 Apron Assembly I – Parts List

| Index No. | Part No. | Description | Size | Qty |
|-----------|-------------------|-----------------------------|---------|-----|
| 1 | TS-1503021 | Hex Socket Hd Cap Screw | M6x10 | 2 |
| 2 | 06-37 | Half Nut | | 1 |
| 3 | 06-36 | Bracket | | 1 |
| 4 | TS-1503041 | Hex Socket Hd Cap Screw | M6x16 | 2 |
| 5 | 06-33 | Gib | | 1 |
| 6 | TS-1523031 | Socket Set Screw | M6x10 | 3 |
| 7 | TS-1504081 | Hex Socket Hd Cap Screw | M8x40 | 2 |
| 8 | TS-1524011 | Socket Set Screw | M8x8 | 1 |
| 9 | 06-39 | Spring | | 1 |
| 10 | SB-6MM | Steel Ball | 6 mm | 1 |
| 11 | 06-01 | Apron Casting | | 1 |
| 12 | 06-42-1 | Pin | | 2 |
| 13 | 06-42 | Half Nut Cam | | 1 |
| 14 | GB879-5X35 | Spring Pin | 5x35 mm | 1 |
| 15 | TS-1523011 | Socket Set Screw | M6x6 | 1 |
| 16 | JRD1000-J39 | Spring Pin | 5x50 mm | 1 |
| 17 | GH1440-06-09 | Hub | | 1 |
| 18 | GH1440-06-04 | Handle Shaft | | 1 |
| 19 | GB4141.14-BM10x50 | Knob | | 2 |
| 20 | 06-40 | Safety Catch | | 1 |
| 21 | GB1160-12 | Sight Glass | 12 mm | 1 |
| 22 | 06-04 | Bracket | | 1 |
| 23 | 06-16 | Block | | 1 |
| 24 | TS-1503031 | Hex Socket Hd Cap Screw | M6x12 | 2 |
| 25 | GH1440-06-07 | Spline Shaft | | 1 |
| 26 | GH1440-06-08 | Handle Shaft | | 1 |
| 27 | TS-1503101 | Hex Socket Hd Cap Screw | M6x45 | 3 |
| 28 | 06-02 | Plug | | 1 |
| 29 | TS-1503041 | Hex Socket Hd Cap Screw | M6x16 | 4 |
| 30 | 06-35 | Drain Plug | | 1 |
| 31 | 06-34 | Flange | | 2 |
| 33 | GB879-3X5 | Spring Pin | 3x5 mm | 2 |
| 34 | 06-27 | Worm | | 1 |
| 35 | 06-50 | Collar | | 2 |
| 73 | TS-1522031 | Set Screw | M5x10 | 2 |
| 75 | GH1440K06301-6 | Apron Label | | 1 |
| 76 | TS-1531012 | Screw | M3x6 | 8 |
| 77 | GH1440K06302-2 | Graphic Plate - Thread Dial | | 1 |

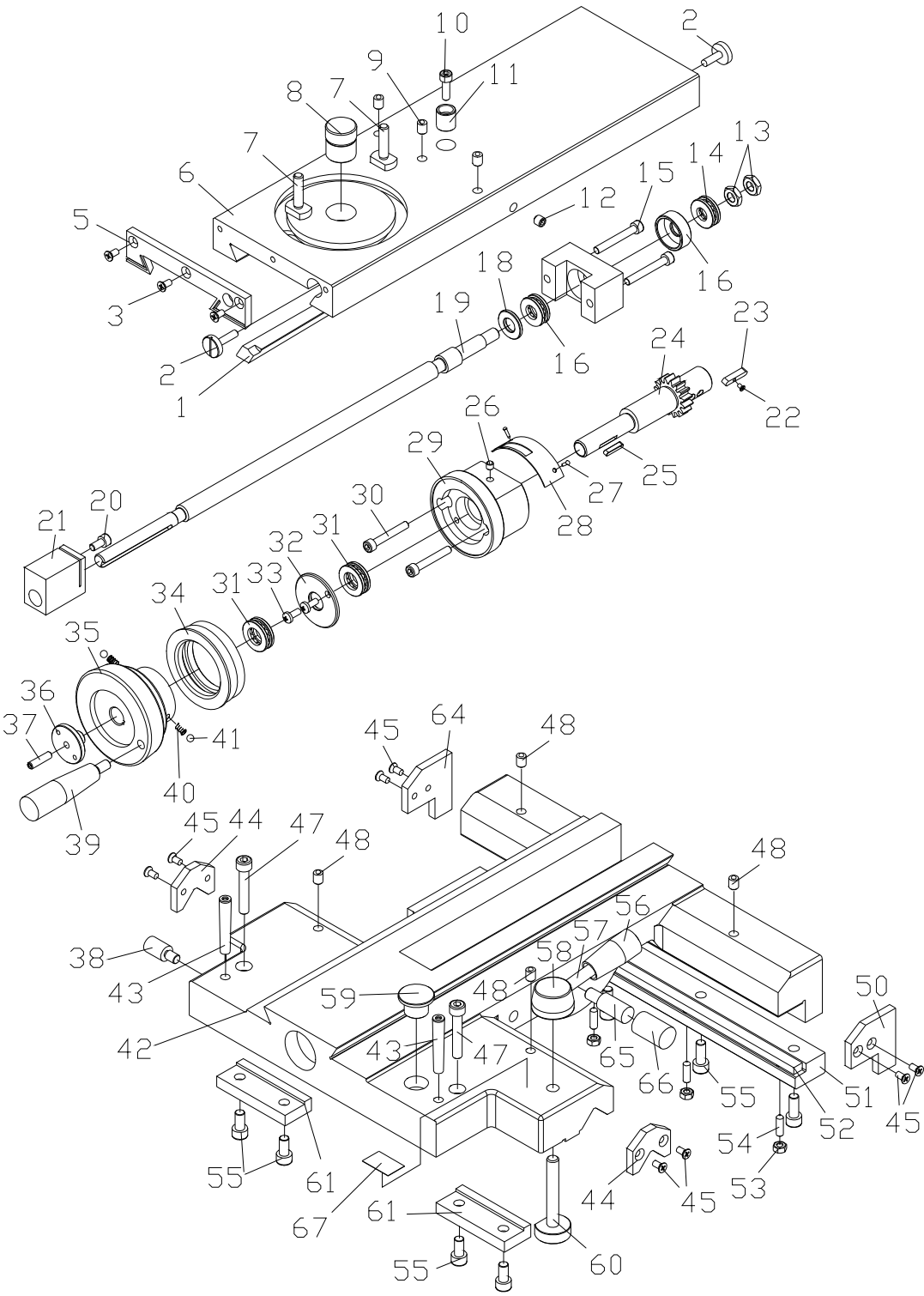
14.7.1 Apron Assembly II – Exploded View



14.7.2 Apron Assembly II – Parts List

| Index No. | Part No. | Description | Size | Qty |
|-----------|---------------|-------------------------|--------------|-----|
| 36 | 06-44 | Bushing | | 1 |
| 37 | 06-43 | Shaft | | 1 |
| 38 | F006044 | C-Retaining Ring, Ext | 16 mm | 1 |
| 39 | 06-28 | Gear | 22T | 1 |
| 40 | 06-26 | Collar | | 1 |
| 41 | GB879-86 | Pin | 5x35 mm | 1 |
| 42 | 06-20 | Gear | 24T | 1 |
| 43 | TS-152301 | Set Screw | M6x6 | 1 |
| 44 | GB1096-79 | Key | 5x15 mm | 1 |
| 45 | 06-19 | Shaft | | 1 |
| 46 | GB3452.1-82 | O-Ring | 17x1.8 mm | 1 |
| 47 | 6012062 | E-Retaining Ring, Ext | 12 mm | 1 |
| 48 | 06-10 | Bushing | | 2 |
| 49 | 06-15-1 | Collar | | 1 |
| 50 | 06-15 | Cluster Gear | 50T/20T | 1 |
| 51 | TS-152401 | Set Screw | M8x8 | 1 |
| 52 | 06-14 | Spring | | 1 |
| 53 | SB-6MM | Steel Ball | 6 mm | 1 |
| 54 | 06-13 | Shaft | | 1 |
| 55 | 06-06 | Shaft | | 1 |
| 56 | ZX-S48 | Spring Pin | 5x30 mm | 1 |
| 57 | 06-08 | Gear | 50T | 1 |
| 58 | 06-10 | Bushing | | 1 |
| 59 | F006044 | C-Retaining Ring, Ext | 16 mm | 1 |
| 60 | 06-11 | Plug | | 1 |
| 61 | 06-07 | Shaft | | 1 |
| 62 | GB1096-79 | Key, Dbl Rd Hd | 5x15 | 1 |
| 63 | GH1440-06-05 | Handwheel Flange | | 1 |
| 64 | TS-150304 | Hex Socket Hd Cap Screw | M6x16 | 3 |
| 65 | 06-31 | Indicator Ring | | 1 |
| 66 | SB-6MM | Steel Ball | 6 mm | 2 |
| 67 | 06-32 | Spring | | 2 |
| 68 | GH1440-06-06 | Handwheel | | 1 |
| 69 | TS-152307 | Set Screw | M6x25 | 1 |
| 70 | 06-30 | Wheel Stud | | 1 |
| 71 | GH1440-06-11 | Handle Sleeve | | 1 |
| 72 | GH1440-06-10 | Handle Screw | | 1 |
| 74 | GH1440K-774 | O-Ring | 25.8x3.55 mm | 1 |
| 76 | TS-1531012 | Screw | M3x6 | 2 |
| 78 | GH1440-06304A | Indicator Label | | 1 |

14.8.1 Saddle and Cross Slide Assembly – Exploded View

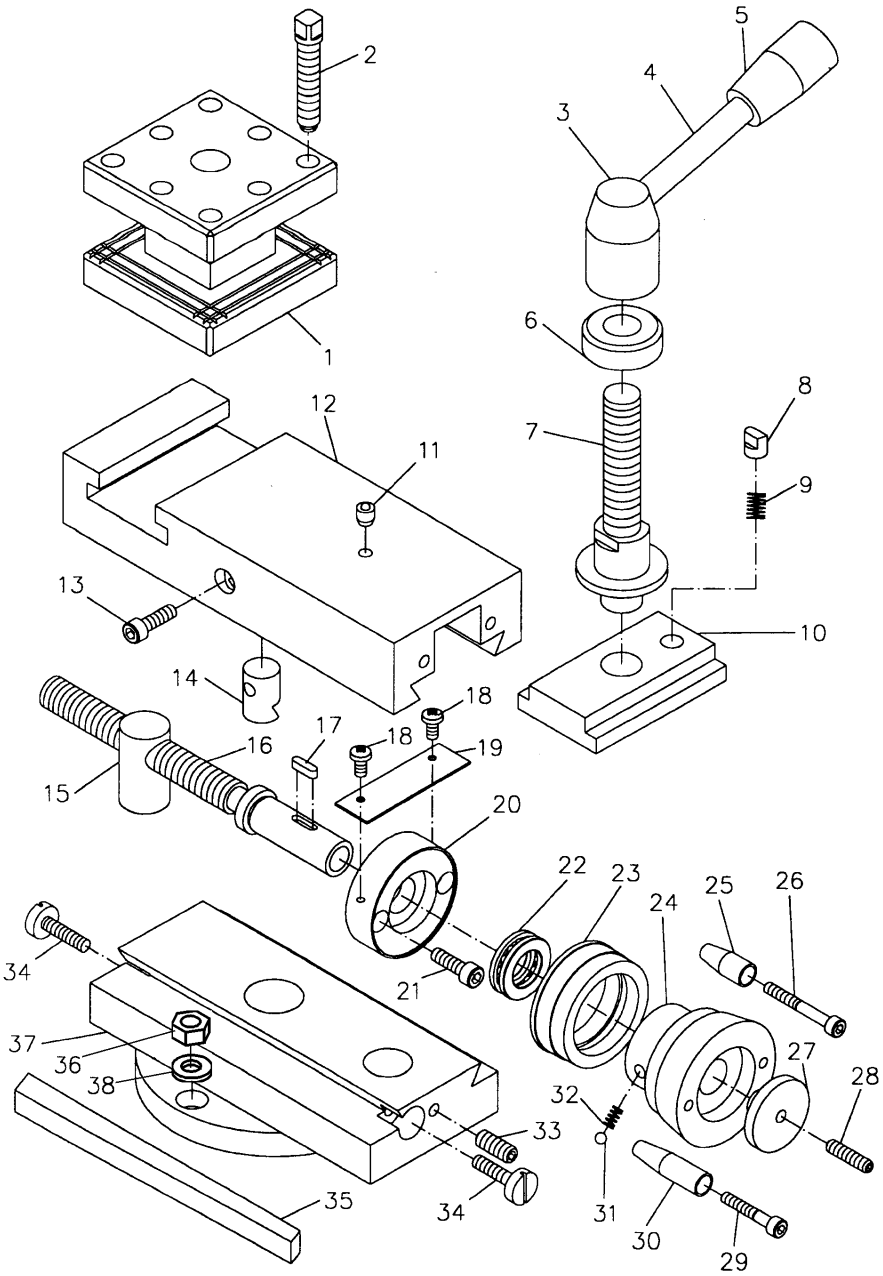


14.8.2 Saddle and Cross Slide Assembly – Parts List

| Index No. | Part No. | Description | Size | Qty |
|-----------|-----------------|-------------------------|------------|-----|
| 1 | GH1440K-04702 | Gib | | 1 |
| 2 | GH1440A-04728 | Gib Adjusting Screw | | 2 |
| 3 | TS-1533032 | Pan Head Machine Screw | M5x10 | 5 |
| 5 | GH1440K-04504 | Plate Wiper | | 1 |
| 6 | GH1440K-04102 | Cross Slide Body | | 1 |
| 7 | GH1440K-04704 | Clamp Nut | | 2 |
| 8 | GH1440A-04726 | Hub | | 1 |
| 9 | GH1440K-809 | Ball Oiler | 8 mm | 3 |
| 10 | TS-1503051 | Hex Socket Hd Cap Screw | M6x20 | 3 |
| 11 | GH1440K-04705 | Sleeve | | 1 |
| 12 | TS-1524011 | Socket Set Screw | M8x8 | 1 |
| 13 | TS-1540071 | Hex Nut | M10 | 2 |
| 14 | GH1440A-04701 | Bearing Cap | | 1 |
| 15 | TS-1503071 | Hex Socket Hd Cap Screw | M6x30 | 2 |
| 16 | BB-8101 | Thrust Bearing | 8101 | 2 |
| 17 | GH1440A-04103 | Block | | 1 |
| 18 | GH1440A-04702 | Spacer | | 1 |
| 19 | GH1440-07-16 | Leadscrew | | 1 |
| 20 | TS-1503031 | Hex Socket Hd Cap Screw | M6x12 | 1 |
| 21 | GH1440K-04301 | Crossfeed Nut | | 1 |
| 22 | GHB1340A-155 | Pan Head Machine Screw | M3x5 | 1 |
| 23 | KF2R5525 | Key, Dbl Rd Hd | 5X25 mm | 1 |
| 24 | GH1440K-04703 | Gear Shaft | | 1 |
| 25 | GB1096-4X20 | Key, Dbl Rd Hd | 4x20 mm | 2 |
| 26 | GB1155-89 | Oiler | 6 mm | 1 |
| 27 | TS-1531012 | Pan Head Machine Screw | M3x6 | 2 |
| 28 | GH1440K-04713 | Indicator Plate | | 1 |
| 29 | GH1440K-04103 | Housing | | 1 |
| 30 | TS-1503091 | Hex Socket Hd Cap Screw | M6x40 | 2 |
| 31 | BB-8102 | Thrust Bearing | 8102 | 2 |
| 32 | GH1440A-04715 | Washer, spcl | | 1 |
| 33 | TS-1533032 | Pan Head Machine Screw | M5x10 | 2 |
| 34 | GH1440A-04716A | Index Ring | | 1 |
| 35 | GH1440A-04107 | Compound Handle | | 1 |
| 36 | GH1440A-04717 | Cover Screw | | 2 |
| 37 | TS-1523071 | Socket Set Screw | M6x25 | 1 |
| 39 | GH1440A-06719 | Handle Sleeve | | 1 |
| 40 | GB2089-79 | Spring | 0.7x5x9 mm | 2 |
| 41 | SB-6MM | Steel Ball | 6 mm | 2 |
| 42 | GH1440K-04101 | Saddle | | 1 |
| 43 | ZX-A41 | Taper Pin | 6x40 mm | 2 |
| 44 | GH1440K-04503 | Plate Wiper | | 2 |
| 45 | TS-1533032 | Pan Head Machine Screw | M5x10 | 11 |
| 47 | TS-1504091 | Hex Socket Hd Cap Screw | M8x45 | 2 |
| 48 | GH1440K-809 | Oiler | 8 mm | 4 |
| 50 | GH1440K-04501 | Plate Wiper | | 1 |
| 51 | GH1440A-04720 | Rear Pressure Plate | | 1 |
| 52 | GH1440A-04108 | Gib | | 1 |
| 53 | TS-1540041 | Hex Nut | M6 | 4 |
| 54 | TS-1523061 | Socket Set Screw | M6x20 | 4 |
| 55 | TS-1504041 | Hex Socket Hd Cap Screw | M8x20 | 6 |
| 56 | GB4141.14-10X50 | Knob | M10x50 | 1 |
| 57 | GH1440A-04733 | Handle Shaft | | 1 |
| 58 | GH1440A-04730 | Hub | | 1 |
| 59 | GH1440A-04502 | Oil Cap | | 1 |
| 60 | GH1440A-04731 | Lock Stud | | 1 |
| 61 | GH1440A-04719 | Front Pressure Plate | | 2 |
| 64 | GH1440K-04502 | Plate Wiper | | 1 |

| Index No. | Part No. | Description | Size | Qty |
|------------------|--------------------|--------------------|-------------|------------|
| 65 | GHB1340A-04788.... | Pin..... | | 1 |
| 66 | GHB1340A-04507.... | Sleeve..... | | 1 |
| 67 | GH1440K04303 | Plate..... | | 1 |

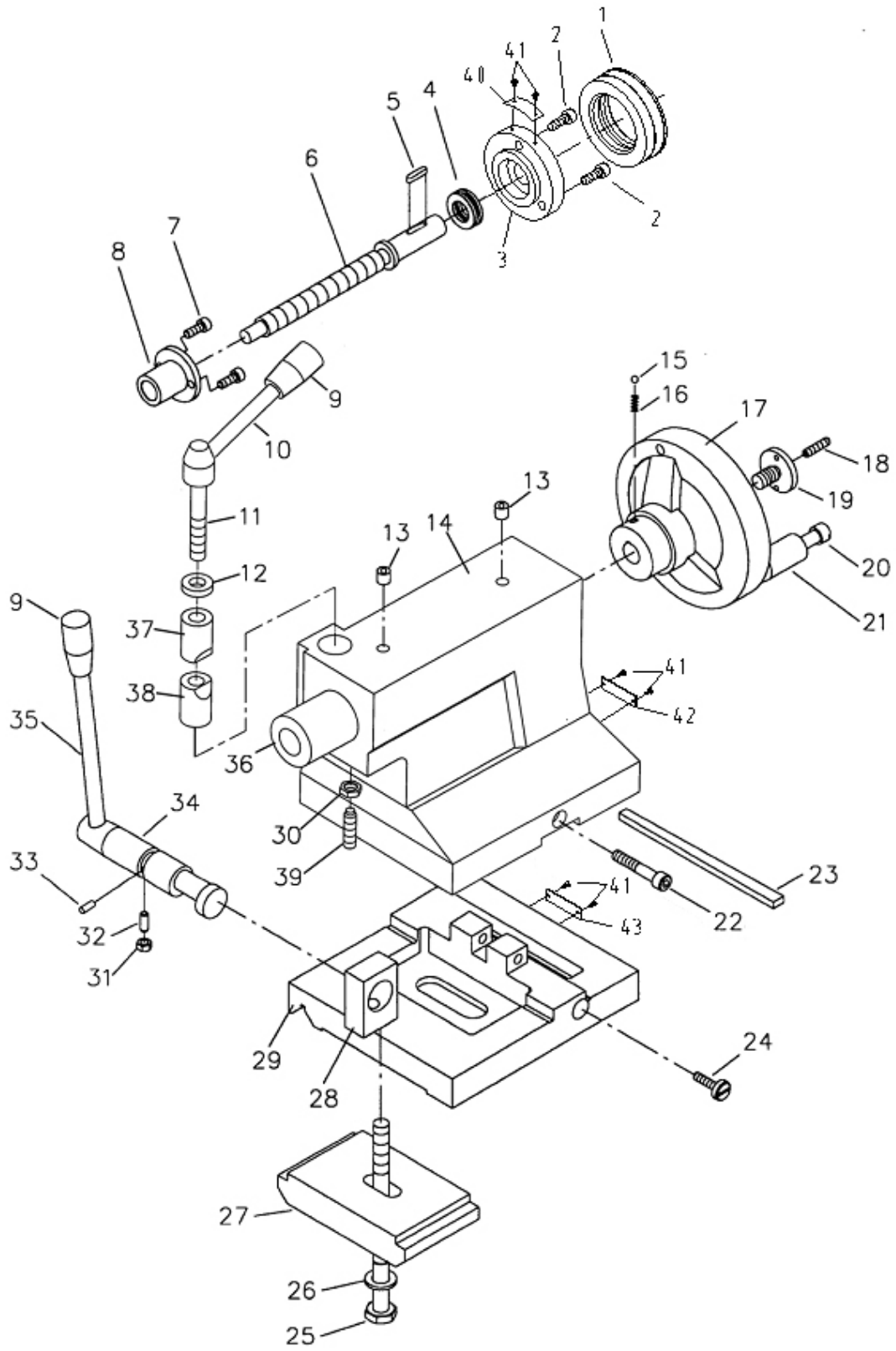
14.9.1 Top Slide and Tool Post – Exploded View



14.9.2 Top Slide and Tool Post – Parts List

| Index No. | Part No. | Description | Size | Qty |
|-----------|-------------------|-------------------------|------------|-----|
| 1 | GH1440A-04707 | Tool Post | | 1 |
| 2 | GB83-88 | Tool Lock Screw | 10x50 mm | 8 |
| 3 | C0632-04704 | Handle Hub | | 1 |
| 4 | GH1440A-04705 | Handle Shaft | | 1 |
| 5 | GB4141.14-BM10x50 | Knob | | 1 |
| 6 | GH1440A-04706 | Spacer | | 1 |
| 7 | GH1440A-04708 | Tool Post Pin | | 1 |
| 8 | GH1440A-04709 | Tool Post Position Pin | | 1 |
| 9 | GB2089-80 | Spring | 1x8x11 mm | 1 |
| 10 | GH1440A-04725 | Clamp Nut | | 1 |
| 11 | GH1440K-809 | Ball Oiler | 8 mm | 1 |
| 12 | GH1440A-04105 | Compound Slide | | 1 |
| 13 | TS-1503051 | Hex Socket Hd Cap Screw | M6x20 | 1 |
| 14 | GH1440A-04729 | Position Pin | | 1 |
| 15 | GH1440A-04302A | Cylindrical Nut | | 1 |
| 16 | GH1440A-04724C | Compound Screw | | 1 |
| 17 | GB1096-79 | Key, Dbl Rd Hd | 4x14 mm | 1 |
| 18 | TS-1531012 | Screw | M3x6 | 2 |
| 19 | GH1440K-04714 | Indicator Label | | 1 |
| 20 | GH1440A-04110 | Screw Bushing | | 1 |
| 21 | TS-1503051 | Hex Socket Hd Cap Screw | M6x20 | 2 |
| 22 | BB-8103 | Thrust Bearing | 8103 | 1 |
| 23 | GH1440A-04723A | Index Ring | | 1 |
| 24 | GH1440A-04109 | Handwheel | | 1 |
| 25 | GH1440A-04722 | Handle | | 1 |
| 26 | TS-1502061 | Hex Socket Hd Cap Screw | M5x25 | 1 |
| 27 | GH1440A-04717 | Cover Screw | | 1 |
| 28 | TS-1523071 | Socket Set Screw | M6x25 | 1 |
| 29 | TS-1502091 | Hex Socket Hd Cap Screw | M5x40 | 1 |
| 30 | GH1440A-04721 | Handle | | 1 |
| 31 | SB-6MM | Steel Ball | 6 mm | 2 |
| 32 | GB2089-80 | Spring | 0.7x5x9 mm | 2 |
| 33 | TS-1523051 | Socket Set Screw | M6x16 | 1 |
| 34 | GH1440A-04728 | Gib Adjusting Screw | | 2 |
| 35 | GH1440K-04702 | Gib | | 1 |
| 36 | TS-1540061 | Hex Nut | M8 | 2 |
| 37 | GH1440K-04104 | Swivel Slide | | 1 |
| 38 | TS-1550061 | Flat Washer | 8 mm | 2 |

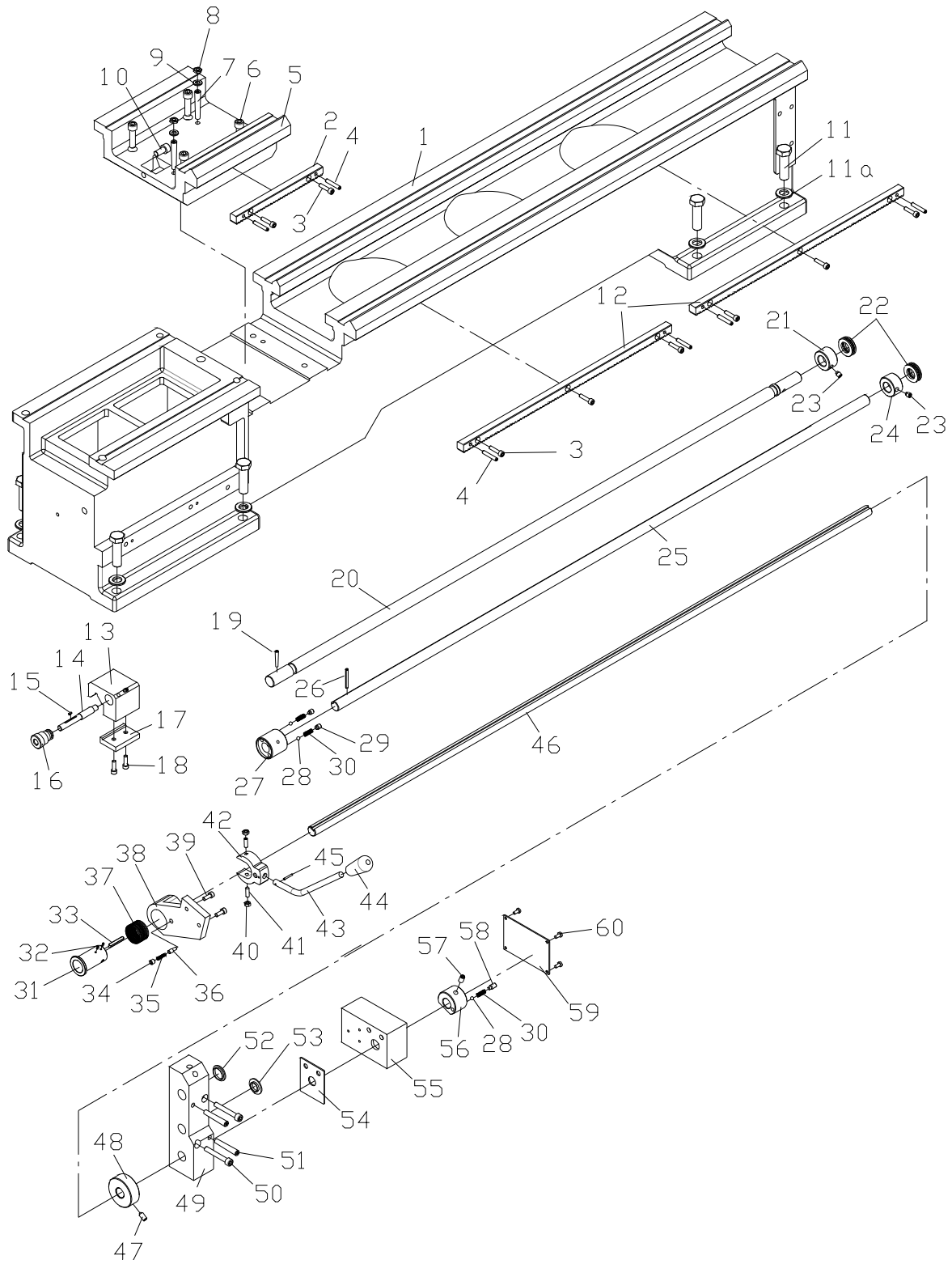
14.10.1 Tailstock Assembly – Exploded View



14.10.2 Tailstock Assembly – Parts List

| Index No. | Part No. | Description | Size | Qty |
|-----------|----------------|-------------------------|---------|-----|
| 1 | GH1440A-03703A | Index Ring | | 1 |
| 2 | TS-1503051 | Hex Socket Hd Cap Screw | M6x20 | 3 |
| 3 | GH1440K-03102 | Hub | | 1 |
| 4 | BB-8103 | Thrust Bearing | 8103 | 1 |
| 5 | KF2R4420 | Key, Dbl Rd Hd | 4x20 mm | 1 |
| 6 | GH1440K-03702 | Leadscrew | | 1 |
| 7 | TS-1503041 | Hex Socket Hd Cap Screw | M6x16 | 2 |
| 8 | GH1440K-03301 | Flange | | 1 |
| 9 | GB4141. 14 | Knob | BM10x50 | 2 |
| 10 | GH1440K-03705 | Lever Handle | | 1 |
| 11 | GH1440K-03704 | Lever Support | | 1 |
| 12 | GH1440K-03703 | Washer | | 1 |
| 13 | GB1155-89 | Ball Oiler | 10 mm | 2 |
| 14 | GH1440K-03101 | Tailstock Body | | 1 |
| 15 | SB-6MM | Steel Ball | 6 mm | 2 |
| 16 | GB2089-80 | Spring | 0.8x5x8 | 2 |
| 17 | GH1440A-06108 | Handwheel | | 1 |
| 18 | TS-1523081 | Socket Set Screw | M6x30 | 1 |
| 19 | GH1440A-06721 | Cover Screw | | 1 |
| 20 | GH1440A-06720 | Handle Lever | | 1 |
| 21 | GH1440A-06719 | Handle Sleeve | | 1 |
| 22 | TS-1504131 | Hex Socket Hd Cap Screw | M8x70 | 2 |
| 23 | GH1440K-03711 | Gib | | 1 |
| 24 | GH1440K-03712 | Gib Adjusting Screw | | 2 |
| 25 | TS-1492071 | Hex Cap Bolt | M12x70 | 1 |
| 26 | TS-155008 | Washer | 12 mm | 1 |
| 27 | GH1440K-03103 | Tailstock Clamp Plate | | 1 |
| 28 | GH1440A-03710 | Block | | 1 |
| 29 | GH1440K-03104 | Tailstock Base | | 1 |
| 30 | F012319 | Hex Jam Nut | M10 | 1 |
| 31 | F012316 | Hex Jam Nut | M6 | 1 |
| 32 | F010438 | Socket Set Screw DP | M6x16 | 1 |
| 33 | GB879-86 | Pin | 5x10 mm | 1 |
| 34 | GH1440K-03710 | Eccentric Shaft | | 1 |
| 35 | GH1440K-03709 | Lever Handle | | 1 |
| 36 | GH1440K-03701 | Quill | | 1 |
| 37 | GH1440K-03707 | Clamping Block | | 1 |
| 38 | GH1440K-03708 | Clamping Block | | 1 |
| 39 | F010446 | Socket Set Screw DP | M10x40 | 1 |
| 40 | GH1440K-03714 | Indicator Label | | 1 |
| 41 | TS-1531012 | Screw | M3x6 | 6 |
| 42 | GH1440K-03302 | Indicator Label | | 1 |
| 43 | GH1440K-03303 | Indicator Label | | 1 |

14.11.1 Bed and Shaft Assembly – Exploded View

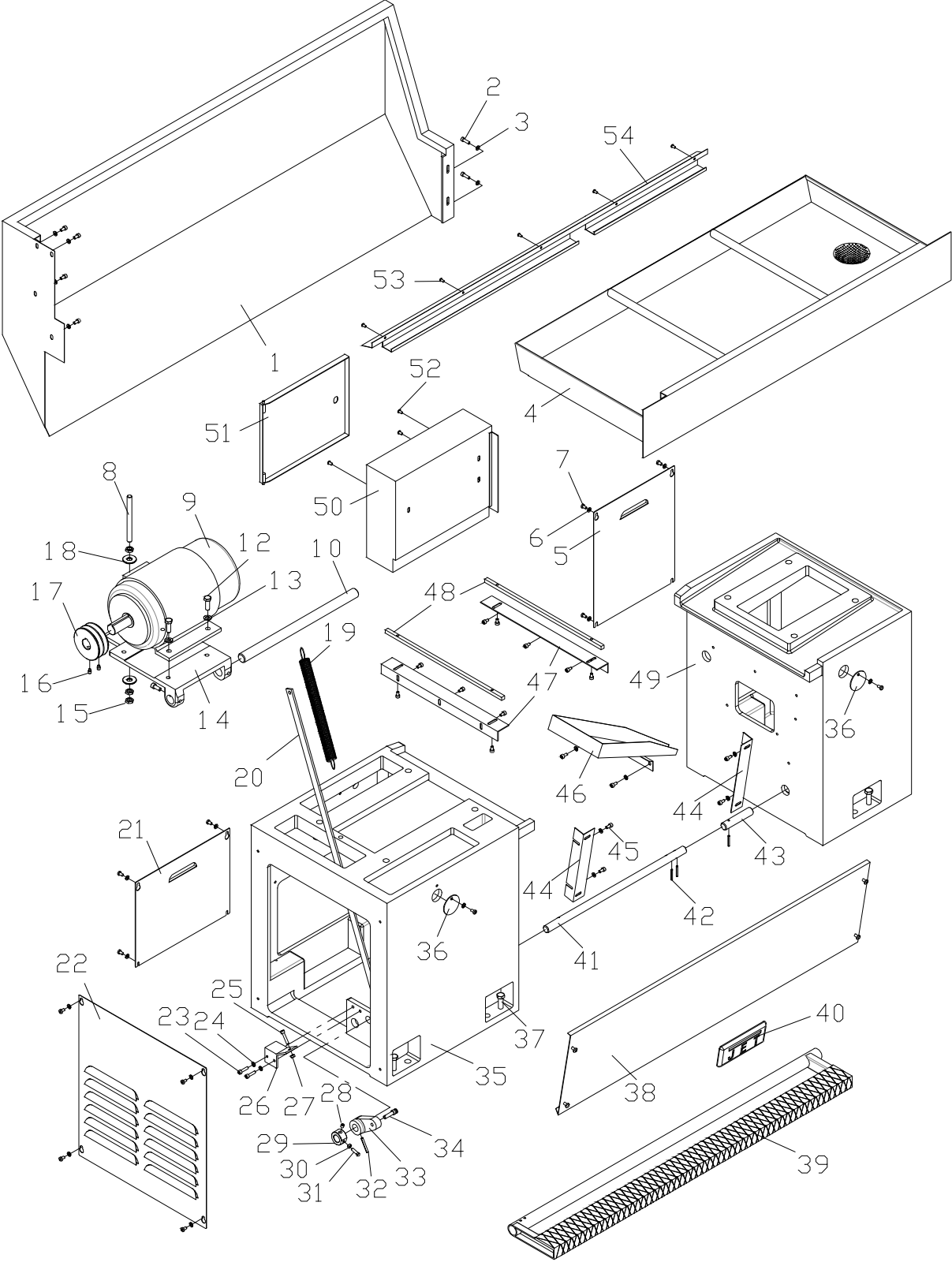


14.11.2 Bed and Shaft Assembly – Parts List

| Index No. | Part No. | Description | Size | Qty |
|-----------|--------------------|-------------------------------------|-------------|-----|
| 1 | GH1440K-01101 | Bed | | 1 |
| 2 | GH1440A-01704 | Rack (short) | | 1 |
| 3 | TS-150306 | Hex Socket Cap Screw | M6x25 | 8 |
| 4 | ESR1650-81 | Spring Pin | 6x35 mm | 6 |
| 5 | GH1440K-01102 | Gap Bridge | | 1 |
| 6 | TS-1505061 | Hex Socket Cap Screw | M10x40 | 4 |
| 7 | GH1440K-1109 | Taper Pin, Ext. Thread | 8x60 mm | 2 |
| 8 | TS-1540061 | Hex Nut | M8 | 2 |
| 9 | TS-1550061 | Flat Washer | M8 | 2 |
| 10 | TS-1505021 | Hex Socket Cap Screw | M10x20 | 1 |
| 11 | CL1640ZX-0204 | Hex Cap Bolt | M16x55 | 8 |
| 11a | TS-155010 | Flat Washer | M16 | 8 |
| 12 | GH1440A-01705 | Rack (long) | | 2 |
| 13 | GH1440K-01705 | Micro Adjust Bracket | | 1 |
| | GH1440K-MA | Micro Adjust Assembly (#13 thru 18) | | 1 |
| 14 | GH1440A-01716 | Shaft | | 1 |
| 15 | JAT741-21 | Spring Pin | 3x6 mm | 1 |
| 16 | GH1440A-01717 | Index Ring | | 1 |
| 17 | GH1440A-01108 | Plate | | 1 |
| 18 | TS-1503051 | Hex Socket Cap Screw | M6x20 | 2 |
| 19 | GHB1330-12B | Taper Pin | 5x35 mm | 1 |
| 20 | GH1440A-01712/1000 | Lead Screw | | 1 |
| 21 | GH1440A-01718 | Collar | | 1 |
| 22 | BB-51104 | Bearing | 51104 | 2 |
| 23 | TS-1524021 | Socket Set Screw | M8x10 | 2 |
| 24 | GH1440A-01718 | Collar | | 1 |
| 25 | GH1440K-01701 | Control Rod | | 1 |
| 26 | ZX-S41 | Spring Pin | 5x40 mm | 1 |
| 27 | GH1440A-01706 | Clutch | | 1 |
| 28 | SB-6MM | Steel Ball | 6 mm | 3 |
| 29 | TS-152402 | Socket Set Screw | M8x10 | 2 |
| 30 | 01-38 | Spring | 1.2×6×28 mm | 2 |
| 31 | GH1440A-01711 | Sleeve | | 1 |
| 32 | SP-36 | Spring Pin | 3x6 mm | 2 |
| 33 | F014006 | Key, Dbl Rd Hd | 5x36 mm | 1 |
| 34 | TS-1524011 | Socket Set Screw | M8x8 | 1 |
| 35 | GB2089-80 | Spring | 0.8x5x25 mm | 1 |
| 36 | GH1440A-01711 | Key | | 1 |
| 37 | GB2089-80 | Spring | 3x35x70 mm | 1 |
| 38 | GH1440A-01105 | Control Bracket | | 1 |
| 39 | TS-1503041 | Hex Socket Cap Screw | M6x16 | 2 |
| 40 | TS-1540041 | Hex Nut | M6 | 2 |
| 41 | TS-1523061 | Socket Set Screw | M6x20 | 2 |
| 42 | GH1440A-01106 | Control Fork | | 1 |
| 43 | GH1440A-01715 | Control Handle | | 1 |
| 44 | GB4141.14 | Knob | BM10x50 | 1 |
| 45 | 6295576 | Spring Pin | 3x20 mm | 1 |
| 46 | GH1440K-01701A | Control Rod | | 1 |
| 47 | TS-1523031 | Socket Set Screw | M6x10 | 1 |
| 48 | GH1440A-01709 | Collar | | 1 |
| 49 | GH1440K-01108 | End Bracket | | 1 |
| 50 | TS-1504111 | Hex Socket Cap Screw | M8x55 | 2 |
| 51 | GH1440K-151 | Taper Pin, Int Thread | 8x55 mm | 2 |
| 52 | C0632-01502 | Plug | | 1 |
| 53 | C0632-01503 | Plug | | 1 |
| 54 | C0632A-01505 | Gasket | | 1 |
| 55 | C0632A-01301 | Shaft Box | | 1 |
| 56 | GH1440A-01708 | Shift Collar | | 1 |
| 57 | TS-1523051 | Socket Set Screw | M6x16 | 1 |

| Index No. | Part No. | Description | Size | Qty |
|------------------|-----------------|-----------------------|-------------|------------|
| 58 | F010448 | Socket Set Screw DP | M8x16 | 1 |
| 59 | C0632A-01504 | Shaft Box Cover | | 1 |
| 60 | TS-1502021 | Socket Head Cap Screw | M5x10 | 4 |

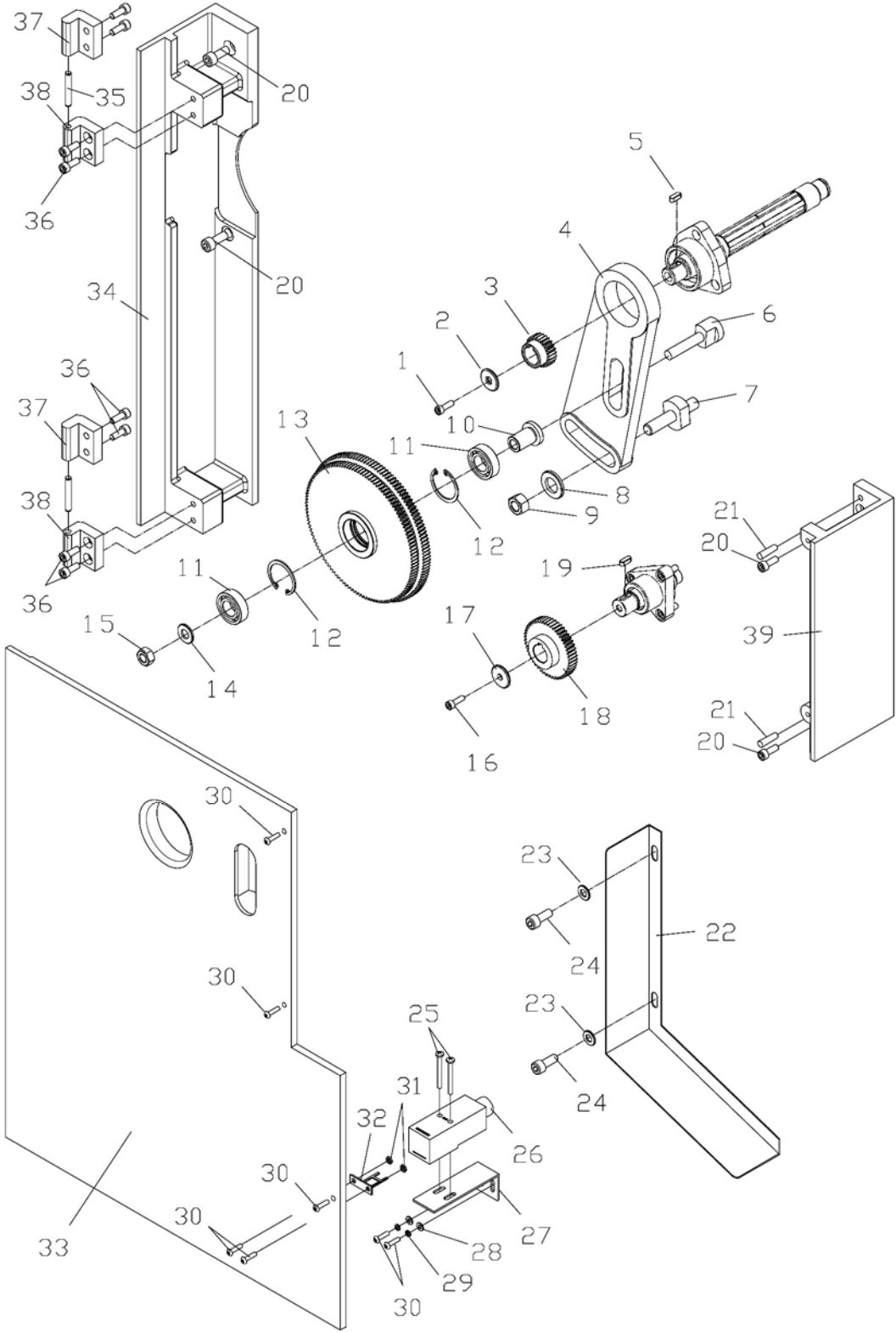
14.12.1 Stand and Brake Assembly – Exploded View



14.12.2 Stand and Brake Assembly – Parts List

| Index No. | Part No. | Description | Size | Qty |
|-----------|-----------------|-------------------------------|------------|-----|
| 1 | GH1440K-01-707A | Splash Guard | M6x10 | 1 |
| 2 | TS-1503021 | Hex Socket Hd Cap Screw | M6x10 | 2 |
| 3 | TS-1550041 | Flat Washer | 6 mm | 2 |
| 4 | GH1440K-01705 | Chip Tray | | 1 |
| 5 | GH1440K-01710 | Cover | | 1 |
| 6 | TS-1550041 | Flat Washer | 6 mm | 27 |
| 7 | TS-1534032 | Phillips Pan Hd Machine Screw | M6x10 | 19 |
| 8 | GH1440A-1730 | Screw | M6x10 | 1 |
| 9 | GH1440-M1-1 | Main Motor (1 Phase) | | 1 |
| | GH1440-M1-1SC | Start Capacitor | 400µF 350V | 1 |
| | GH1440-M1-1RC | Run Capacitor | 40µF 450V | 1 |
| | GH1440-M1-3 | Main Motor (3 Phase) | | 1 |
| 10 | GH1440K-01704 | Shaft | M6x10 | 1 |
| 12 | TS-1491041 | Hex Cap Bolt | M10x30 | 4 |
| 13 | TS-1550071 | Flat Washer | 10 mm | 4 |
| 14 | GH1440K-01107 | Motor Mounting Bracket | | 1 |
| | TS-1524011 | Set Screw | M8x8 | 3 |
| 15 | TS-1540081 | Hex Nut | M12 | 3 |
| 16 | TS-1524031 | Socket Set Screw | M8x12 | 1 |
| 17 | GH1440K-01106 | Pulley | | 1 |
| 18 | GH1440A-01731 | Washer | 12 mm | 2 |
| 19 | 11-04 | Spring | 3.5x25x270 | 1 |
| 20 | GH1440K-22702 | Connector Bar | | 1 |
| 21 | GH1440K01709 | Cover | | 1 |
| 22 | GH1440K-01708 | Cover | | 1 |
| 23 | TS-1503061 | Hex Socket Hd Cap Screw | M6x25 | 2 |
| 24 | TS-1550041 | Flat Washer | 6 mm | 2 |
| 25 | TS-1503071 | Hex Socket Hd Cap Screw | M6x30 | 1 |
| 26 | GH1440K-22703 | Angle Steel | M12 | 1 |
| 27 | TS-2311061 | Hex Nut | M6 | 1 |
| 28 | TS-1524021 | Socket Set Screw | M8x10 | 1 |
| 29 | GH1440A-22705 | Link Nut | | 1 |
| 30 | TS-2311061 | Hex Nut | M6 | 1 |
| 31 | GH1440A-22713 | Screw | | 1 |
| 32 | ESR1650-18 | Spring Pin | 5x40mm | 1 |
| 33 | GH1440A-22101 | Link | | 1 |
| 34 | GH1440A-22704 | Shaft Pin | | 1 |
| | F003804 | Cotter Pin | 1/16 x 3/4 | 1 |
| 35 | GH1440K-01103 | Pedestal (left) | | 1 |
| 36 | GH1440A-01723 | Round Cover | | 4 |
| 37 | TS-1492051 | Hex Cap Bolt | M12x50 | 1 |
| 38 | GH1440K-01706 | Front Plate | | 1 |
| 39 | GH1440K-01701 | Brake Pedal | | 1 |
| 40 | JET-165 | JET Logo | 165x68mm | 1 |
| 41 | C0632A-22704 | Shaft | | 1 |
| 42 | 2210-108 | Spring Pin | M5x30 | 3 |
| 43 | GH1440A-22707 | Shaft | | 1 |
| 44 | GH1440K-01714 | Bracket | | 2 |
| 45 | TS-1503021 | Hex Socket Hd Cap Screw | M6x10 | 16 |
| 46 | GH1440K-01713 | Tray | | 1 |
| 47 | GH1440K-01712 | Bracket | | 2 |
| 48 | GH1440K-01711 | Guide | | 2 |
| 49 | GH1440K-01104 | Pedestal (right) | | 1 |
| 50 | GH1440K-18701 | Electric Cabinet | | 1 |
| 51 | GH1440K-18702 | Electric Cabinet Door | | 1 |
| 52 | TS-1503021 | Hex Socket Hd Cap Screw | M6x10 | 3 |
| 53 | TS-1502021 | Hex Socket Hd Cap Screw | M5x10 | 5 |
| 54 | GH1440K-18717 | Support | | 1 |

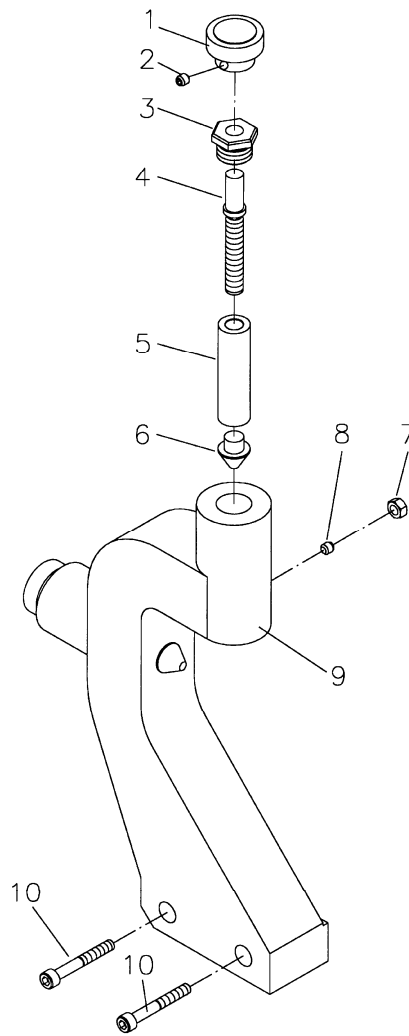
14.13.1 End Gear Assembly – Exploded View



14.13.2 End Gear Assembly – Parts List

| Index No. | Part No. | Description | Size | Qty |
|-----------|---------------|-----------------------------------------|---------|-----|
| 1 | TS-1502041 | Hex Socket Hd Cap Screw | M5x16 | 1 |
| 2 | GH1440K-1304 | Washer, spcl | 6 mm | 1 |
| 3 | 04-50 | Gear | 25T | 1 |
| 4 | GH1440K-05104 | Quadrant (inch) | | 1 |
| 5 | GB1096-5X14 | Key, Dbl Rd Hd | 5x14 mm | 1 |
| 6 | 05-43 | Threaded Shaft | | 1 |
| 7 | GH1440K-05720 | Stud | | 1 |
| 8 | TS-2360121 | Flat Washer | 12 mm | 1 |
| 9 | TS-1540081 | Hex Nut | M12 | 1 |
| 10 | 05-45 | Collar | | 1 |
| 11 | BB-6103 | Ball Bearing | 6103 | 2 |
| 12 | F006033 | C-Retaining Ring, Int | 35 mm | 2 |
| 13 | 05-65 | Gear | 120/127 | 1 |
| 14 | 05-44 | Flat Washer | | 1 |
| 15 | TS-1540071 | Hex Nut | M10 | 1 |
| 16 | TS-1503041 | Hex Socket Hd Cap Screw | M6x16 | 1 |
| 17 | 05-42 | Washer | 6mm | 1 |
| 18 | 05-41 | Gear | 50T | 1 |
| 19 | GB1096-5X14 | Key, Dbl Rd Hd | 5x14 mm | 1 |
| 20 | TS-1504041 | Hex Socket Hd Cap Screw | M8x20 | 4 |
| 21 | ZX-H218 | Pin | 6x25 mm | 2 |
| 22 | GH1440K-05722 | Bracket | | 1 |
| 23 | TS-1550061 | Flat Washer | 8mm | 2 |
| 24 | TS-1504041 | Hex Socket Hd Cap Screw | M8x20 | 2 |
| 25 | PS1652T-105 | Phillips Pan Hd Machine Screw | M4x40 | 2 |
| 26 | QKS8-1 | Door Switch | | 1 |
| | ZH-SQ1 | Door Switch Assembly (includes #26, 32) | | 1 |
| 27 | C0632A-18704 | Bracket | | 1 |
| 28 | TS-1550021 | Flat Washer | 4 mm | 2 |
| 29 | TS-1551021 | Spring Washer | 4 mm | 2 |
| 30 | TS-1501051 | Hex Socket Hd Cap Screw | M4x16 | 7 |
| 31 | TS-1540021 | Hex Nut | M4 | 2 |
| 32 | QKS8-2 | Door Switch | | 1 |
| 33 | GH1440K-05502 | Back Cover | | 1 |
| 34 | GH1440K-05105 | Rear side plate | | 1 |
| 35 | ZX-H223 | Dowel Pin | 6h8x40 | 2 |
| 36 | TS-1503041 | Hex Socket Cap Screw | M6x16 | 8 |
| 37 | 1440R-08712 | Upper Hinge | | 2 |
| 38 | 1440R-08711 | Lower Hinge | | 2 |
| 39 | GH1440K-05106 | Front Plate | | 1 |

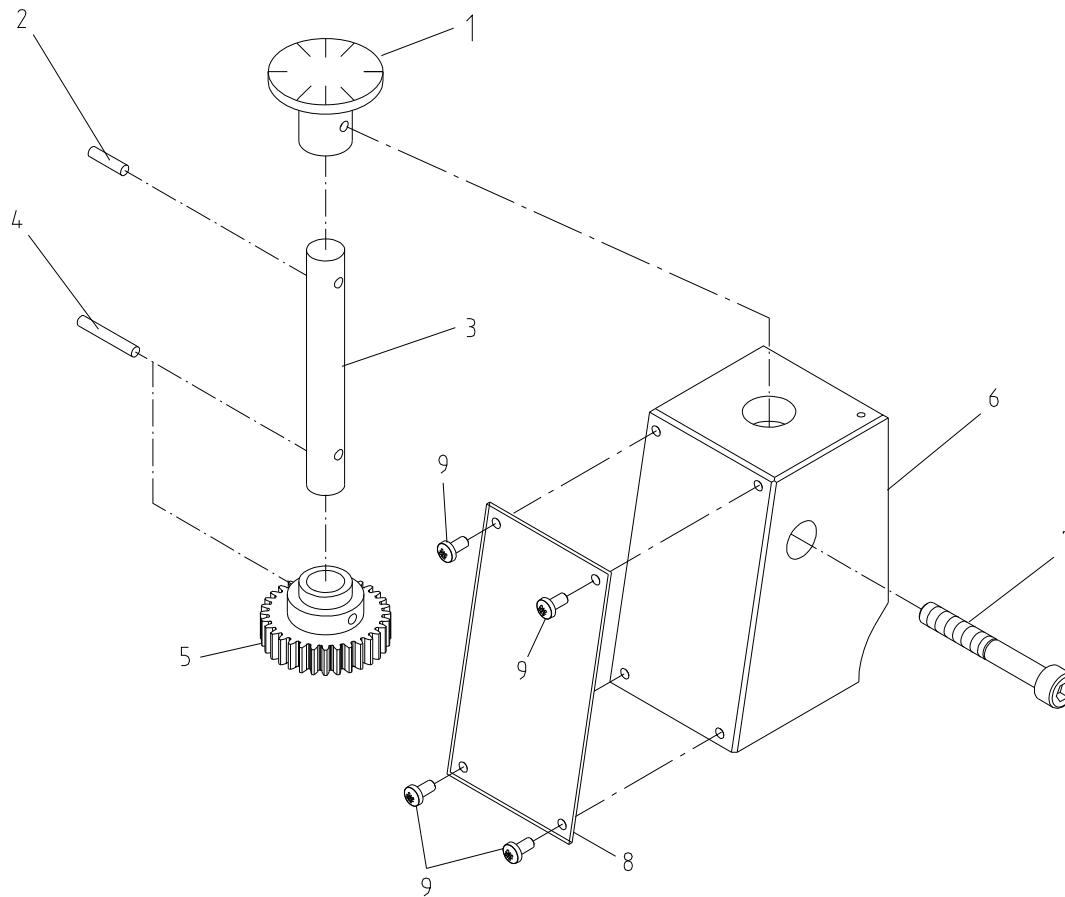
14.14.1 Follow Rest – Exploded View



14.14.2 Follow Rest – Parts List

| Index No. | Part No. | Description | Size | Qty |
|-----------|--------------|-----------------------------------|-------|-----|
| | GH1440K-FRA | Follow Rest Assembly (#1 thru 10) | | |
| 1 | GH1440-09-02 | Knob | | 2 |
| 2 | TS-1523011 | Socket Set Screw | M6x6 | 2 |
| 3 | 10B-04 | Bushing | | 2 |
| 4 | 10B-05 | Screw | | 2 |
| 5 | 10B-02 | Sleeve | | 2 |
| 6 | 10B-06 | Brass Finger | | 1 |
| 7 | TS-2311061 | Hex Nut | M6 | 2 |
| 8 | TS-1523011 | Socket Set Screw | M6x6 | 2 |
| 9 | GH1440-09-01 | Follow Rest Body | | 1 |
| 10 | TS-1503101 | Hex Socket Hd Cap Screw | M6x45 | 2 |

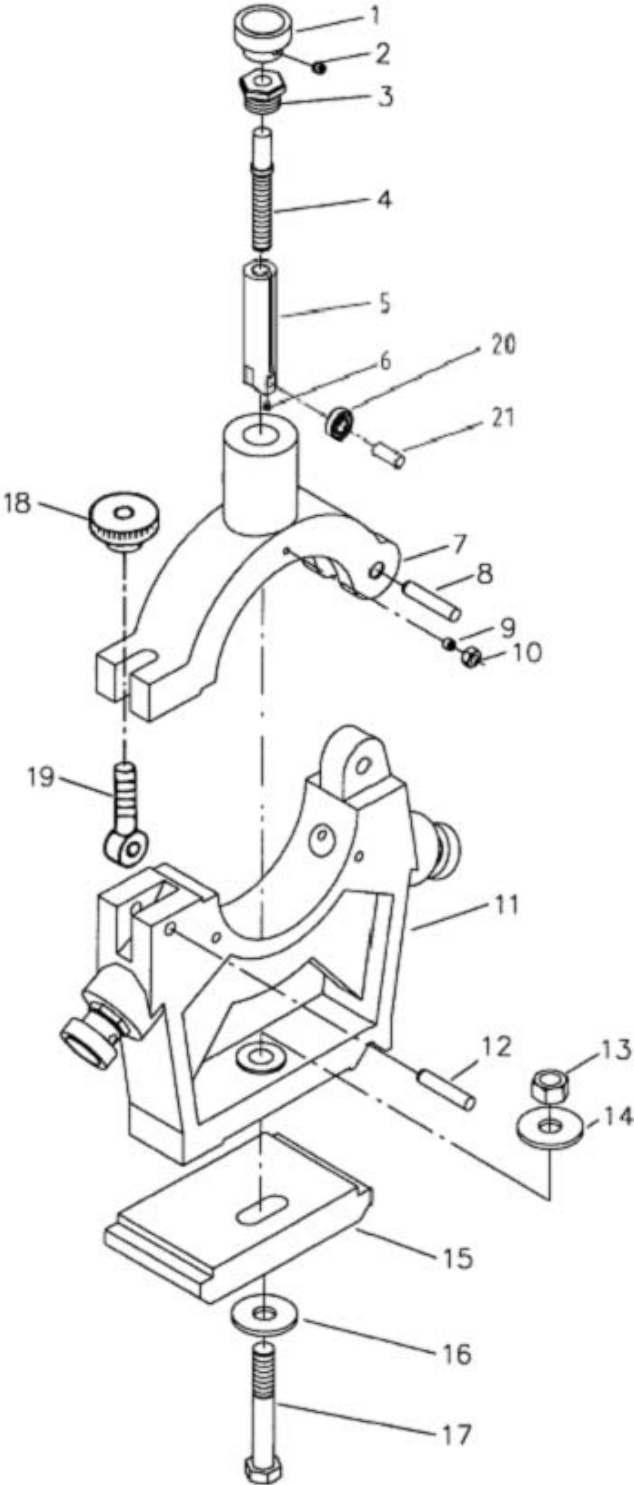
14.15.1 Thread Dial Assembly – Exploded View



14.15.2 Thread Dial Assembly – Parts List

| Index No. | Part No. | Description | Size | Qty |
|-----------|-----------------|-------------------------------------------|-------|-------|
| | GH1440K-TDA | Thread Dial Assembly (includes #1 thru 9) | | |
| 1 | 06-22 | Dial | | 1 |
| 2 | GB879-3x12 | Spring Pin | 3x12 | 1 |
| 3 | 06-23 | Shaft | | 1 |
| 4 | GB879-3x20 | Spring Pin | 3x20 | 1 |
| 5 | 06-25 | Gear | 32T | 1 |
| 6 | 06-24 | Body | | 1 |
| 7 | TS-1503101 | Hex Socket Hd Cap Screw | M6x45 | 1 |
| 8 | GH1440K-11305-1 | Graphic Plate – Thread Dial | | 1 |
| 9 | TS-1531012 | Screw | M3x6 | 4 |

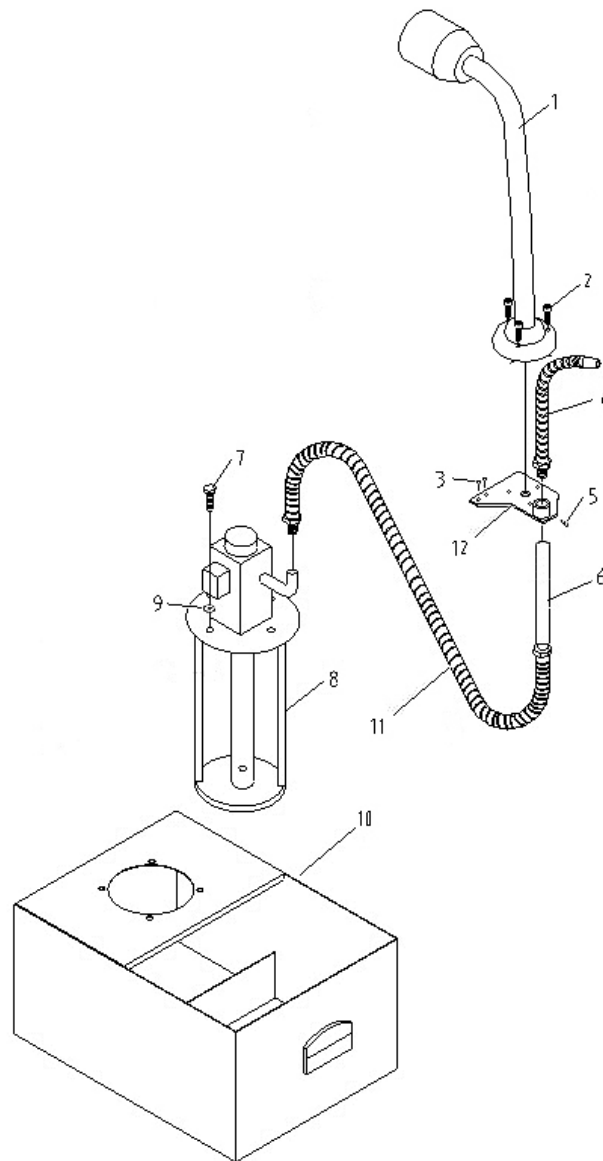
14.16.1 Steady Rest – Parts List



14.16.2 Steady Rest – Parts List

| Index No. | Part No. | Description | Size | Qty |
|-----------|---------------|-----------------------------------|---------|-----|
| | GH1440K-SRA | Steady Rest Assembly (#1 thru 21) | | 1 |
| 1 | GH1440-09-02 | Knob | | 3 |
| 2 | TS-1523011 | Socket Set Screw | M6x6 | 3 |
| 3 | 10A-05 | Bushing | | 3 |
| 4 | 10A-06 | Screw | | 3 |
| 5 | GH1440K-10704 | Sleeve | | 3 |
| 6 | 10A-08 | Brass Finger | | 3 |
| 7 | 10A-03 | Steady Rest Upper Body | | 1 |
| 8 | F004047 | Dowel Pin | 8x40 mm | 1 |
| 9 | TS-1523061 | Socket Set Screw | M6x20 | 3 |
| 10 | TS-1540041 | Hex Nut | M6 | 3 |
| 11 | GH1440-10-01 | Steady Rest Lower Body | | 1 |
| 12 | 10A-02 | Lock Pin | | 1 |
| 13 | TS-1540081 | Hex Nut | M12 | 1 |
| 14 | TS-1550081 | Washer | 12 mm | 1 |
| 15 | GH1440-10-02 | Clamp Plate | | 1 |
| 16 | TS-1550081 | Flat Washer | 12 mm | 1 |
| 17 | TS-1492081 | Hex Cap Bolt | M12x80 | 1 |
| 18 | GH1440K-1618 | Knurled Thumb Knob | | 1 |
| 19 | GH1440K-1619 | Pivot Stud | | 1 |
| 20 | BB-606 | Ball Bearing | 606 | 3 |
| 21 | ZX-Q49 | Dowel Pin | 6x18 mm | 1 |

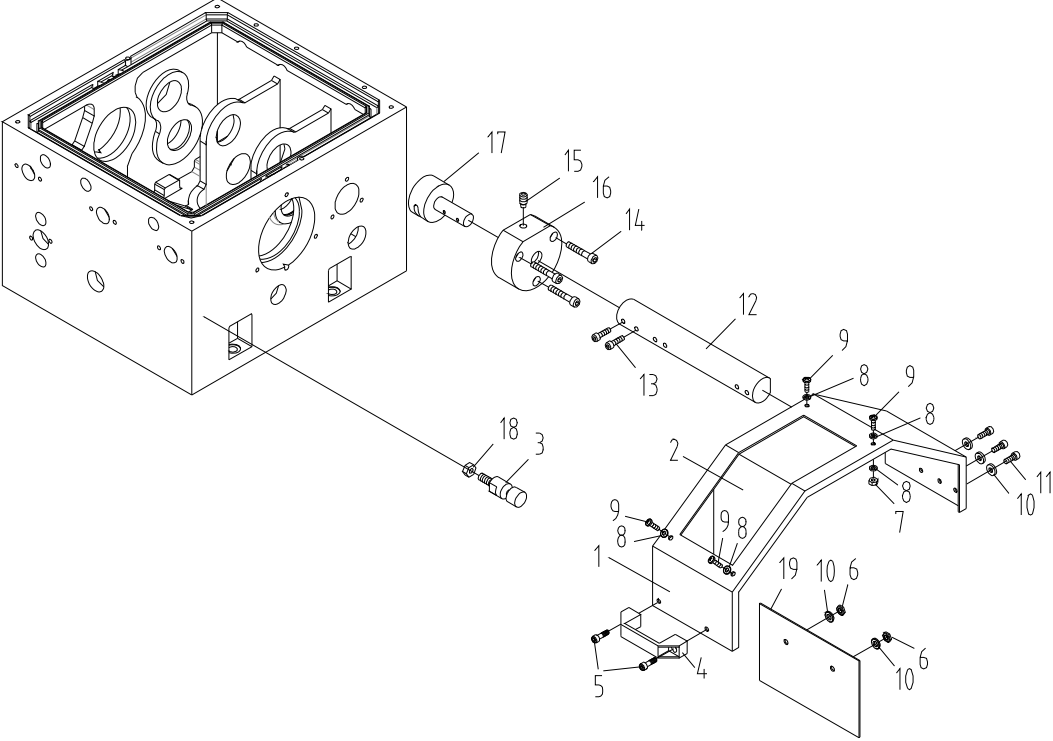
14.17.1 Coolant and Work Light Assembly – Exploded View



14.17.2 Coolant and Work Light Assembly – Parts List

| Index No. | Part No. | Description | Size | Qty |
|-----------|---------------|-------------------------|--------|-----|
| 1 | GHB1340-EL | Work Light | | 1 |
| 2 | TS-1503051 | Hex Socket Hd Cap Screw | M6x20 | 3 |
| 3 | TS-1502051 | Hex Socket Hd Cap Screw | M5x20 | 3 |
| 4 | GH1440K-1704 | Coolant Nozzle | C2-77 | 3 |
| 5 | TS-1503041 | Hex Socket Hd Cap Screw | M6x16 | 1 |
| 6 | GHB1440A01739 | Rubber Tube | | 1 |
| 7 | TS-1482011 | Hex Cap Bolt | M6x10 | 4 |
| 8 | YSB-12TH | Coolant Pump | 3PH | 1 |
| | YDB-12TH | Coolant Pump | 1PH | 1 |
| 9 | TS-1550041 | Flat Washer | 6 mm | 4 |
| 10 | GH1440K01715 | Coolant Tank | | 1 |
| 11 | GH1440K1711 | Tube | 600 mm | 1 |
| 12 | GH1440K18711 | Support | | 1 |

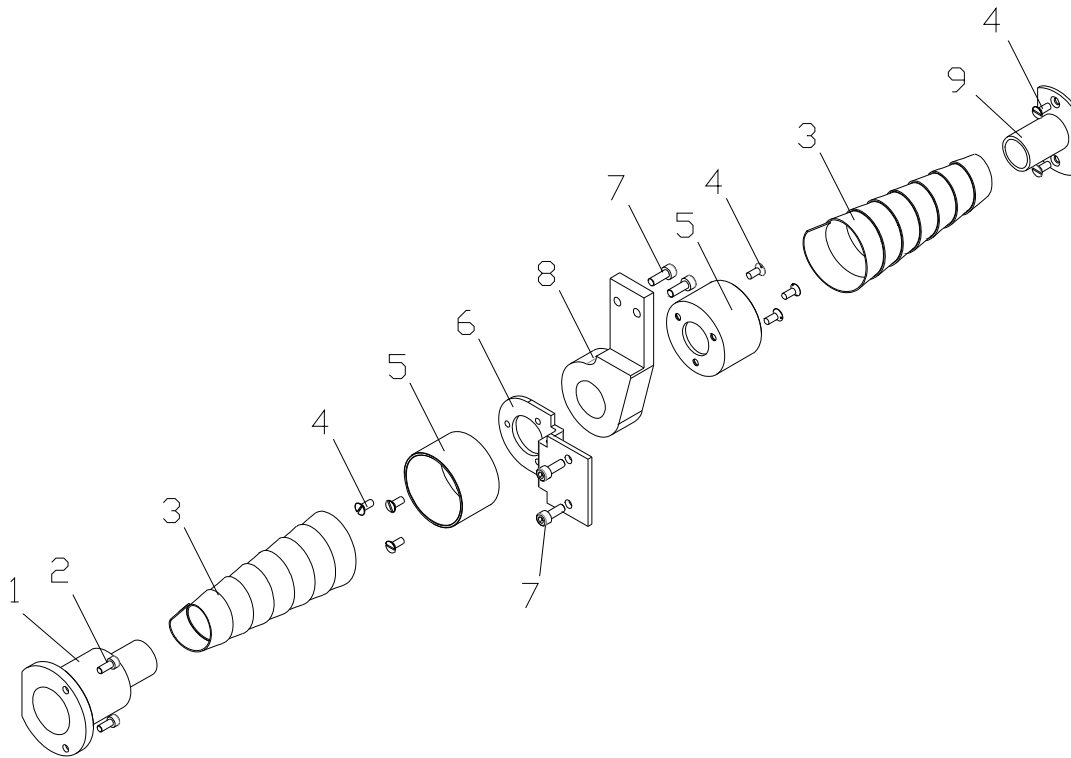
14.18.1 Chuck Guard Assembly – Exploded View



14.18.2 Chuck Guard Assembly – Parts List

| Index No. | Part No. | Description | Size | Qty |
|-----------|----------------------|----------------------------------------|------------|-----|
| | GH1440K-CGA..... | Chuck Guard Assembly (#1 thru 19)..... | | 1 |
| 1 | GH1440K-19701J..... | Chuck Guard..... | | 1 |
| 2 | GHB1340A-19501E... | Guard Acrylic Window | | 1 |
| 3 | ZX-19704E..... | Fixing Rod..... | | 1 |
| 4 | A90..... | Handle | | 1 |
| 5 | TS-1503031 | Hex Socket Hd Cap Screw..... | M6x12..... | 2 |
| 6 | TS-1540041 | Hex Nut | M6..... | 2 |
| 7 | TS-1540021 | Hex Nut..... | M4..... | 4 |
| 8 | TS-1550021 | Plain Washer..... | 4 mm..... | 8 |
| 9 | TS-1532042 | Cross Recessed Pan Head Screw | M4x12..... | 4 |
| 10 | TS-1550041 | Plain Washer..... | 6 mm..... | 3 |
| 11 | TS-1534032 | Cross Recessed Pan Head Screw | M6x10..... | 3 |
| 12 | GH1440K-19702J..... | Rest Bar | | 1 |
| 13 | TS-1524021 | Hex Socket Set Screw | M8x10..... | 2 |
| 14 | TS-1503071 | Hex Socket Hd Cap Screw..... | M6x30..... | 3 |
| 15 | TS-1524041 | Hex Socket Set Screw | M8x16..... | 1 |
| 16 | GHB1340A19704 | Switch Box | | 1 |
| 17 | GHB1340A19702E.... | Shaft | | 1 |
| 18 | TS-1540061 | Hex Nut..... | M8..... | 1 |
| 19 | GH1440K-19703J | Panel..... | | 1 |

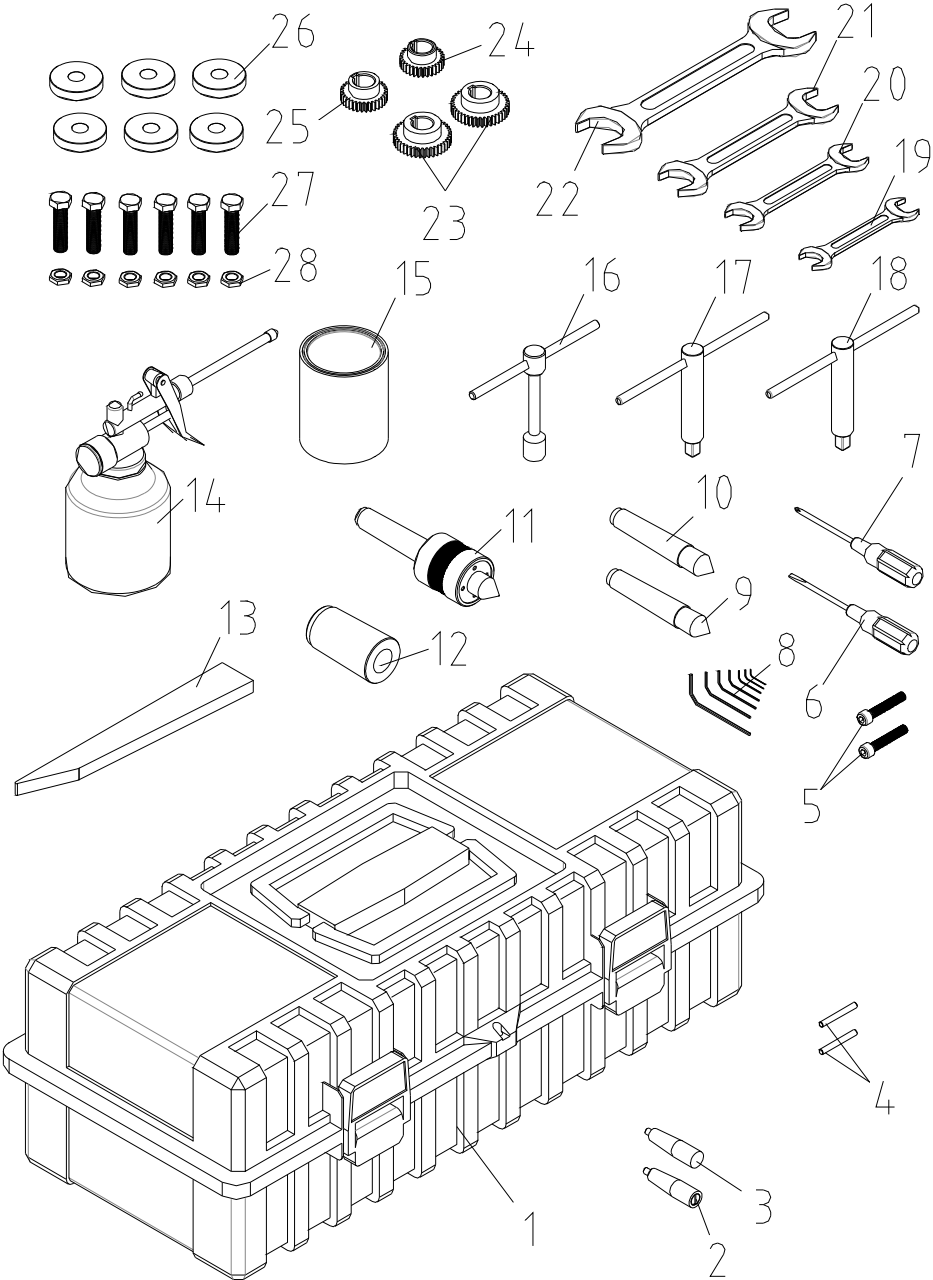
14.19.1 Lead Screw Cover Assembly – Exploded View



14.19.2 Lead Screw Cover Assembly – Parts List

| Index No. | Part No. | Description | Size | Qty |
|-----------|---------------|----------------------------------|-------|-----|
| 1 | GH1440K-14701 | Left Flange | | 1 |
| 2 | TS-1502031 | Hex Socket Hd Cap Screw | M5x12 | 2 |
| 3 | LGB 28-900-70 | Telescoping Sleeve | | 2 |
| 4 | TS-2285121 | Phillips Flat Head Machine Screw | M5x12 | 8 |
| 5 | GH1440A-14702 | Cover | | 2 |
| 6 | GH1440K-14702 | Left Flange Bracket | | 1 |
| 7 | TS-1503041 | Hex Socket Hd Cap Screw | M6x16 | 4 |
| 8 | GH1440K-14101 | Right Flange Bracket | | 1 |
| 9 | GH1440A-14703 | Right Flange | | 1 |

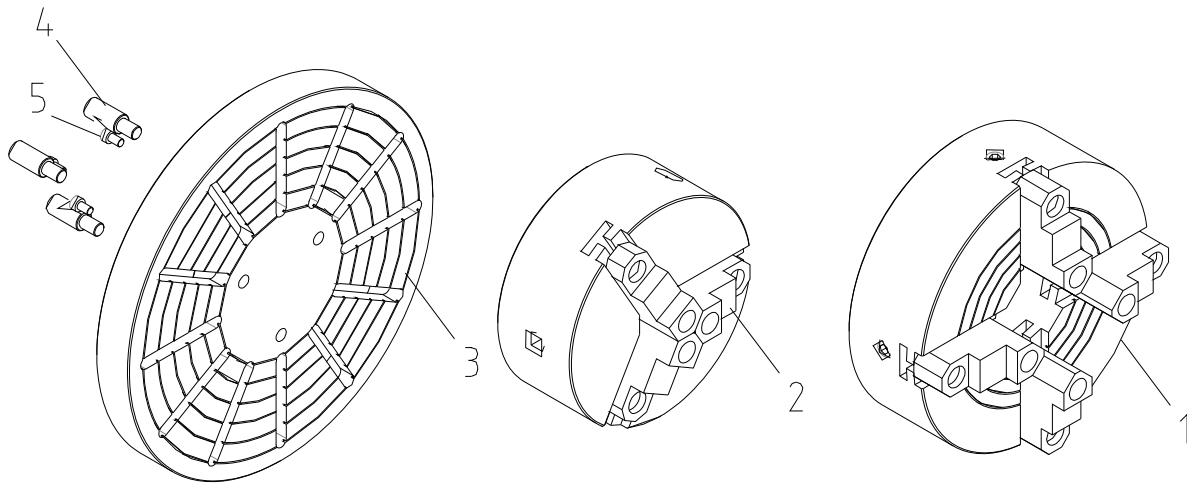
14.20.1 Accessories I – Exploded View



14.20.2 Accessories I – Parts List

| Index No. | Part No. | Description | Size | Qty |
|-----------|--------------------|--------------------------------|--------------------------|-----|
| | GH1440-TBCP | Tool Box Complete (#1 thru 28) | | 1 |
| 1 | | Tool Box | | 1 |
| 2 | GH1440-0611 | Handle Sleeve | | 1 |
| | GH1440-0610 | Handle Lever | | 1 |
| 3 | GH1440A-06719 | Handle Sleeve | | 1 |
| 4 | GH1440-06-04 | Shear Pin | 4X35 mm | 2 |
| 5 | TS-1504081 | Hex Socket Hd Cap Screw | M8X40 | 2 |
| 6 | ZX-OP-14 | Flat Blade Screwdriver | | 1 |
| 7 | ZX-OP-15 | Cross Point Screwdriver | | 1 |
| 8 | GH1440-06-08 | Hex Socket Wrench Set | .2, 2.5, 3, 4, 5, 6, 8mm | 7 |
| 9 | C0632-09703 | Dead Center | MT-3 (Alloy) | 1 |
| 10 | C0632-09702 | Dead Center | MT-3 | 1 |
| 11 | GH1440-06-11 | Live Center | MT-3 | 1 |
| 12 | C0632-09701 | Tapered Reducing Sleeve | No. 5 to No. 3 | 1 |
| 13 | 1440R-F001 | Drift Key | | 1 |
| 14 | GH1440B-1707 | Oil Gun | | 1 |
| 15 | | Touchup Paint Can (Gray) | | 1 |
| 16 | C0632-04726 | Tool Post Wrench Rod | | 1 |
| | C0632-04727 | Tool Post Wrench | | 1 |
| 17 | C0632-09705 | Cam Lock Key Rod | | 1 |
| | C0632-09704 | Cam Lock Key | | 1 |
| 18 | GH1440-0618 | Chuck Key | | 1 |
| 19 | GH1340A-TBCP-16-03 | Open End Wrench | 9-11mm | 1 |
| 20 | 6295506 | Open End Wrench | 10-12mm | 1 |
| 21 | 6295507 | Open End Wrench | 12-14mm | 1 |
| 22 | 6295508 | Open End Wrench | 17-19mm | 1 |
| 23 | GH1440A05735-3 | Change Gear | 40T | 2 |
| 24 | GH1440A05735-1 | Change Gear | 30T | 1 |
| 25 | GH1440A05735-2 | Change Gear | 32T | 1 |
| 26 | GH1440K-01720 | Leveling Pads | | 6 |
| 27 | GH1440K-01721 | Leveling Bolts | | 6 |
| 28 | F012321 | Hex Thin Jam Nut | M12-1.75 | 6 |

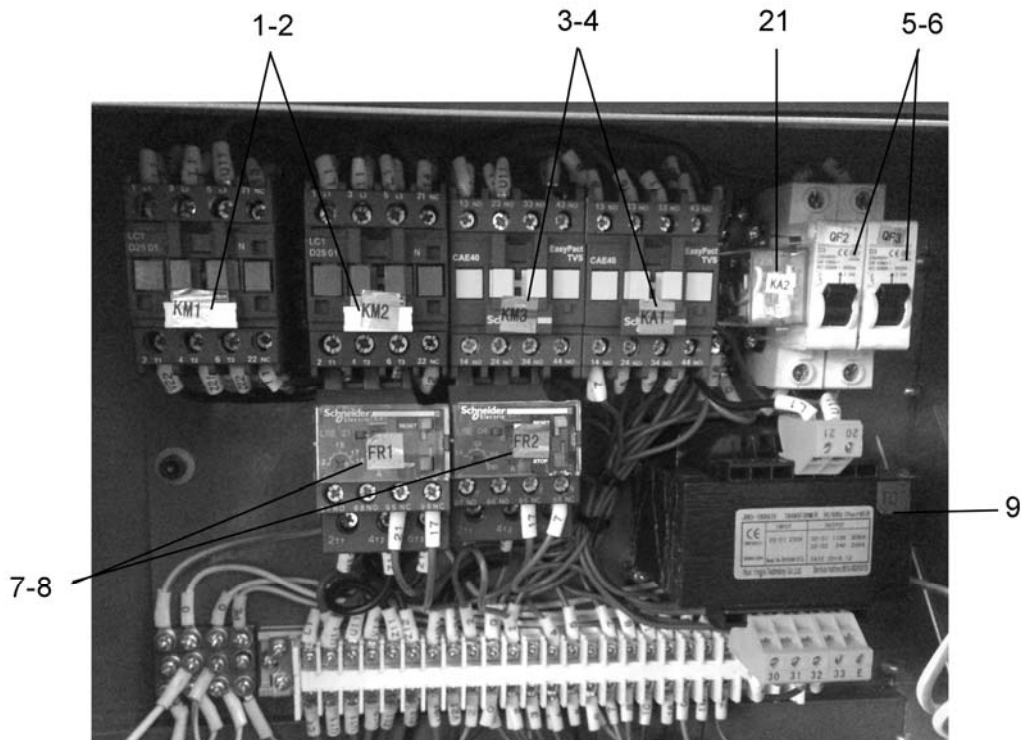
14.21.1 Accessories II – Exploded View



14.21.2 Accessories II – Parts List

| Index No. | Part No. | Description | Size | Qty |
|-----------|-------------|--------------------------------------------------|-------|-----|
| 1 | K72200D4 | Four Jaw Chuck with Camlock Stud | 8" | 1 |
| 2 | K11160AD4 | Three Jaw Chuck with Camlock Stud (Direct Mount) | 6" | 1 |
| 3 | C0632-09101 | Face Plate | 12" | 1 |
| 4 | C0632-02722 | Camlock Stud | | 3 |
| 5 | TS-1503021 | Hex Socket Hd Cap Screw | M6X10 | 3 |

14.22.1 Electrical Components – Exploded View



14.22.2 Electrical Components – Parts List

| Index No. | Part No. | Symbol* | Description | Size | Qty |
|-----------|-------------|---------|------------------------|---------------|-----|
| 1 | GH1440K-KM1 | KM1 | Magnetic Starter | LC1-D2501 | 1 |
| 2 | GH1440K-KM1 | KM2 | Magnetic Starter | LC1-D2501 | 1 |
| 3 | GH1440K-KM3 | KM3 | Coolant Pump Contactor | CA2-DN40B7 | 1 |
| 4 | GH1440K-KM3 | KA1 | Control Contactor | CA2-DN40B7 | 1 |
| 5 | GH1440K-QF2 | QF2 | Breaker | DZ47-63 | 1 |
| 6 | GH1440K-QF2 | QF3 | Breaker | DZ47-63 | 1 |
| 7 | GH1440K-FR1 | FR1 | Motor Overload Relay | LR2-D1321N | 1 |
| 8 | GH1440K-FR2 | FR2 | Motor Overload Relay | LR2-D1304N | 1 |
| 9 | GH1440K-TC | TC | Transformer | JBK5-100TH | 1 |
| 10 | GH1440K-SQ2 | SQ2 | Door Switch | QKS8 | 1 |
| 11 | GH1440K-QS1 | QS1 | Power On/Off Switch | VCD0 | 1 |
| 12 | GH1440K-SQ1 | SQ1 | Brake Switch | TM-1701 | 1 |
| 13 | GH1440K-SB1 | SB1 | Off Switch | ZB2-BS54C | 1 |
| 14 | GH1440K-SB2 | SB2 | Jog Switch | ZB2BA3C | 1 |
| 15 | GH1440K-HL | HL | Power Indicator Light | XB7-EVF3LC | 1 |
| 16 | GH1440K-SA2 | SA2 | Coolant Pump Switch | ZB2-BD2C | 1 |
| 17 | GH1440K-SQ3 | SQ3 | Forward Switch | TM1306 | 1 |
| 18 | GH1440K-SQ3 | SQ4 | Reverse Switch | TM1306 | 1 |
| 19 | GH1440K-PX1 | PX1 | Switch | LJ12A3-4-J/EZ | 1 |
| 20 | GH1440K-EL | EL | Lamp | JC34A | 1 |
| 21 | GH1440K-KA2 | KA2 | Relay | HH52P | 1 |

* refer to wiring diagrams