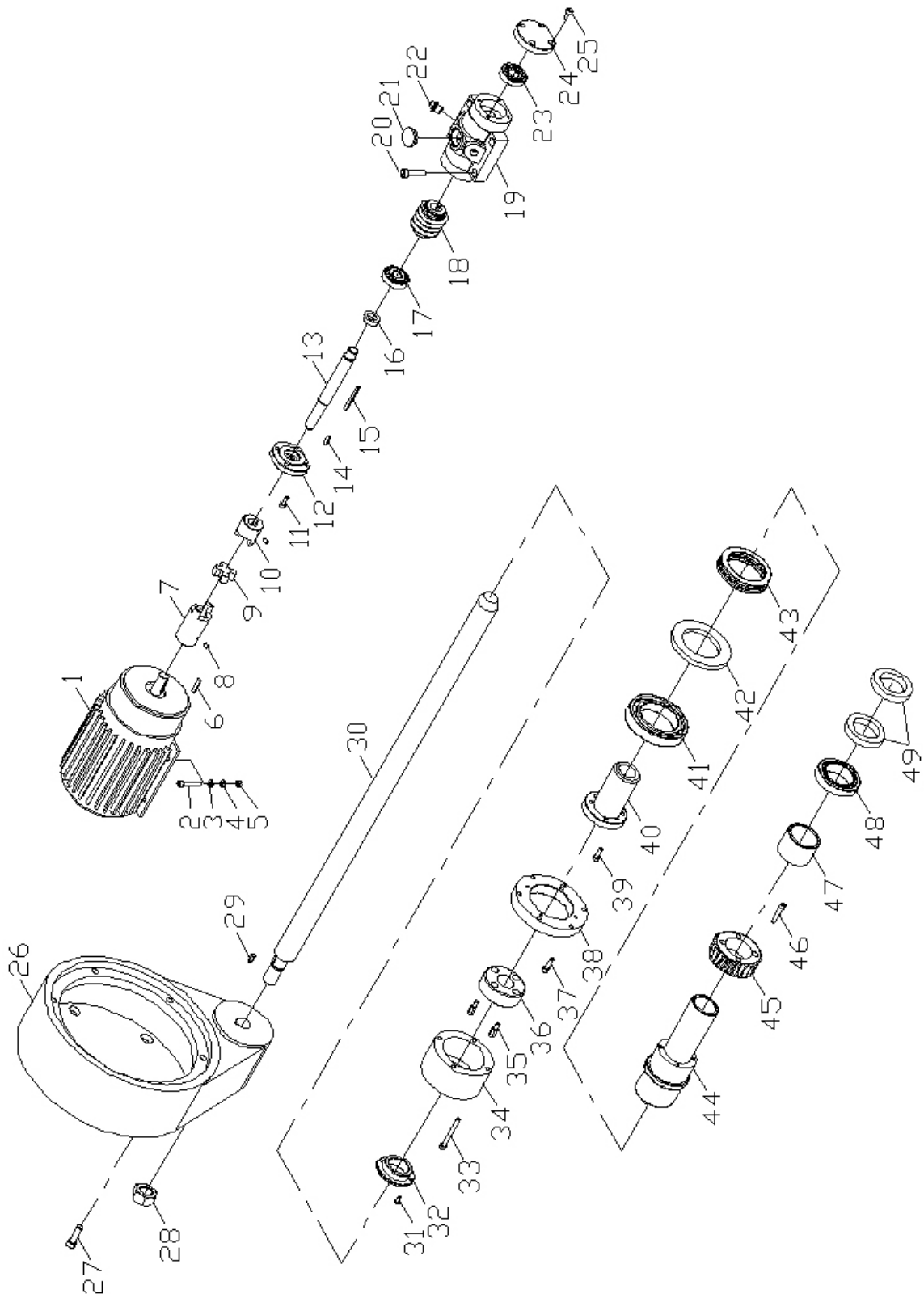


13.0 Replacement Parts

Replacement parts are listed on the following pages. To order parts or reach our service department, call 1-800-274-6848, Monday through Friday (see our website for business hours, www.waltermeier.com). Having the Model Number and Serial Number of your machine available when you call will allow us to serve you quickly and accurately.

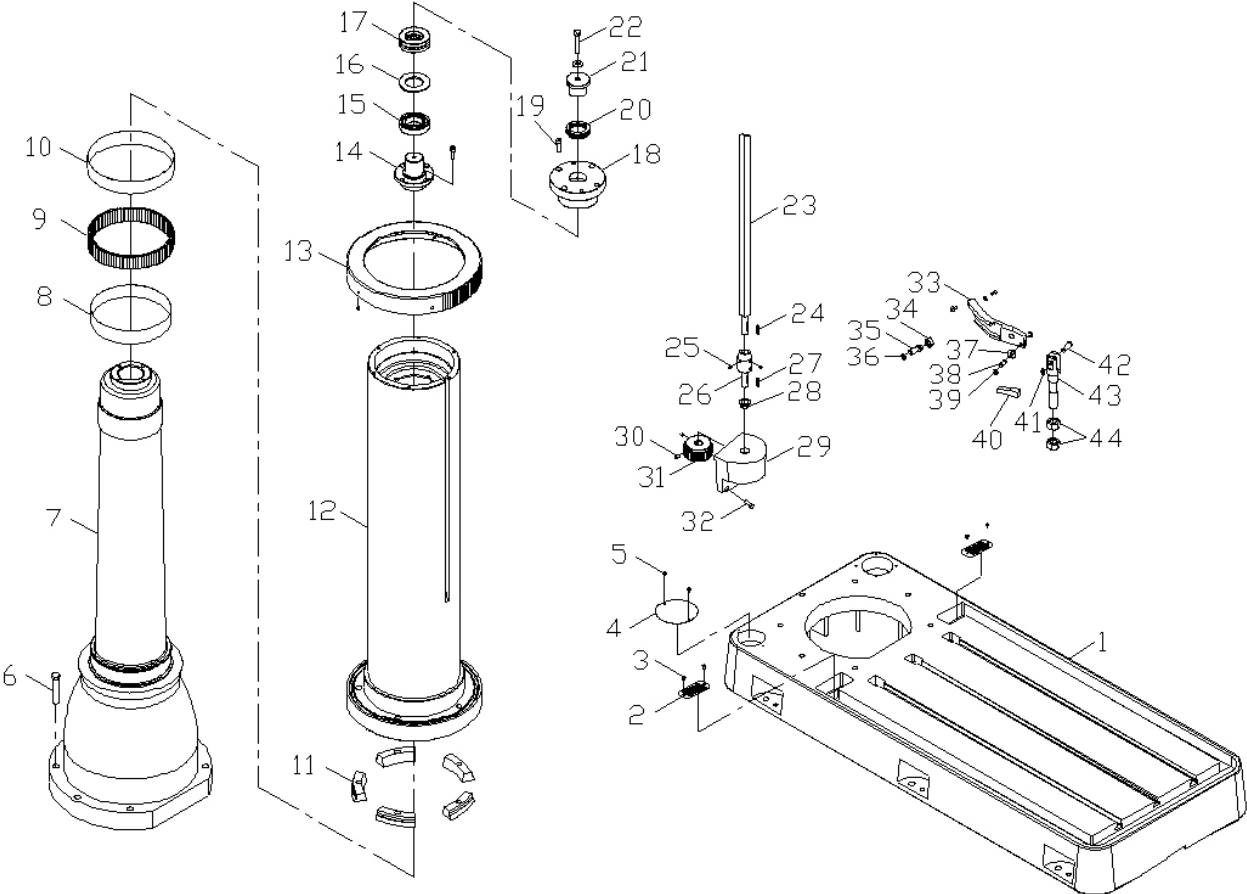
13.1.1 Riser Mechanism: Exploded View



13.1.2 Riser Mechanism: Parts List

Index No.	Part No.	Description	Size	Qty
1	5232451	Motor (Elevating)	1HP, 220/460V	1
2	TS-1503091	Socket Head Cap Screw	M6 x 40L	4
3	TS-2361061	Spring Washer	M6	4
4	TS-1550041	Flat Washer	M6	4
5	TS-1540041	Hex Nut	M6	4
6	5232461	Key	6mm x 30L	1
7	5232481	Adaptor		1
8	5232471	Set Screw	M6 x 8L	4
9	5232491	Plastic Joint		1
10	5232521	Adaptor		1
11	5232531	Socket Head Cap Screw	M6 x 14L	4
12	5232541	Cover		1
13	5232591	Worm Shaft		1
14	5232571	Key	5mm x 20L	1
15	5232581	Key	5mm x 55L	1
16	5232551	Oil Seal	TC17 x 28 x 7 mm	1
17	5232561	Bearing	30303	1
18	5232621	Worm		1
18-1	M1312-S36	Retainer	S36	1
19	5232641	Worm Housing		1
20	TS-1504081	Socket Head Cap Screw	M8 x 40L	1
21	5232631	Oil Level Gauge		4
22	M0604006	Plug	PT1/4"	1
23	5232651	Bearing	30303	2
24	5232661	Bearing Cover		1
25	5232671	Socket Head Cap Screw	M6x14L	1
26	J-5232681	Top Cap		1
27	TS-1505051	Socket Head Cap Screw	M10 x 35L	1
28	5232691	Nut	M24	6
29	5232711	Key	6mm x 20L	1
30	5232721	Lead Screw		1
31	TS-1533042	Phillips Pan Head Machine Screw	M5 x 12L	1
32	10415	Compression Cover		2
33	M1401-M6x65	Socket Head Cap Screw	M6 x 65L	1
34	5232811	Safety Device Cover		4
35	10177	Bolt		1
36	5232791	Safety Nut		2
37	TS-1503061	Socket Head Cap Screw	M6 x 25L	1
38	5232781	Bearing		6
39	TS-1503051	Socket Head Cap Screw	M6 x 20L	1
40	5232761	Brass Sleeve		4
41	5232751	Ball Bearing	6014ZZ	1
42	5232741	Collar		1
43	5232731	Bearing	51114	1
44	5232881	Up-Down Rolling Shaft		1
45	5232871	Worm Gear		1
46	TS-1503081	Socket Head Cap Screw	M6 x 35L	1
47	5232861	Collar		4
48	5232851	Bearing	32010	1
49	5232841	Oil Seal	TC50 x 72 x 12mm	1

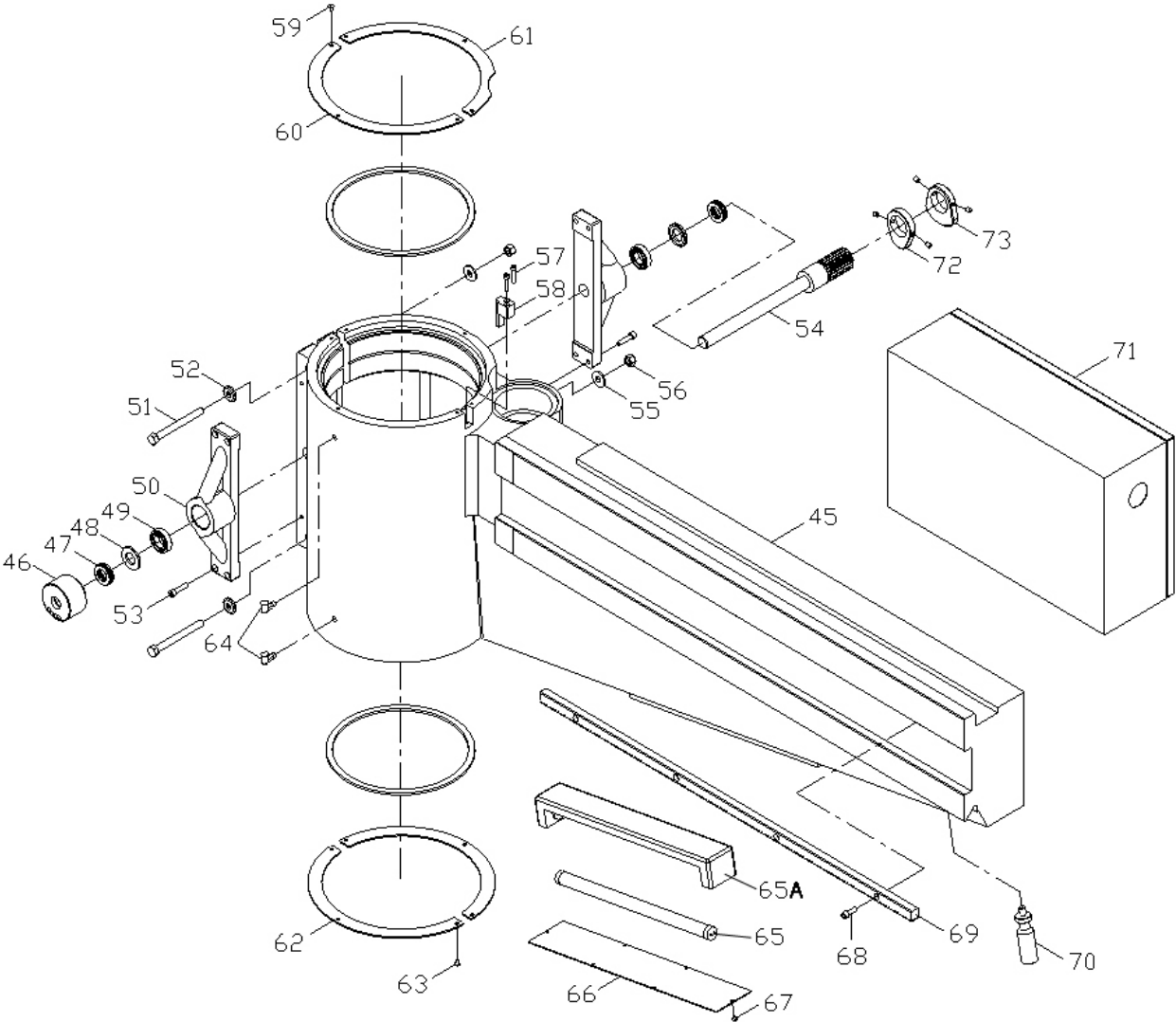
13.2.1 Column and Base: Exploded View



13.2.2 Column and Base: Parts List

Index No.	Part No.	Description	Size	Qty
1	J-5232911	Base		1
2	10277	Filter Screen		2
3	5513357	Phillips Pan Head Machine Screw	3/16" x 3/8"L	4
4	J-10037	Cover		1
5	5513357	Phillips Pan Head Machine Screw	3/16" x 3/8"L	2
6	J-5232921	Bolt	M18 x 100L	7
7	5232941	Internal Column		1
8-10	5232931	Needle Bearing		1
11	5233131	Wedge		5
12	5233041	External Column		1
13	J-5233281	Locking Cover		1
14	5233031	Top Bearing Cover		1
15	5233021	Bearing	6211	1
16	5233011	Washer		1
17	5232991	Thrust Bearing	3911	1
18	5232981	Fixed Bearing Cover		1
19	TS-1505051	Socket Head Cap Screw	M10 x 35L	4
20	5232971	Thrust Bearing	51111	1
21	5232961	Top Bearing Cover		1
22	5232951	Bolt	1/2"-12N x 3"L	1
23	5233271	Locking Shaft		1
24	5233251	Key	6mm x 30L	1
25	TS-1524021	Set Screw	M8 x 10L	2
26	5233211	Shaft		1
27	5233141	Key	6mm x 30L	1
28	5233221	Bushing		1
29	J-5233231	Locking Bracket		1
30	TS-1524021	Set Screw	M8 x 10L	2
31	5233261	Clamping Gear		1
32	TS-1504051	Socket Head Cap Screw	M8 x 25L	5
33	5233051	Slip Block		5
34	10241	Collar		5
35	5233071	Slip Bar		5
36	5233061	Retaining Ring		5
37	5233171	Roller		5
38	5233081	Fixing Shaft		5
39	5233091	Retaining Ring	E6	10
40	5233181	Slip Bracket		5
41	5233061	Retaining Ring	S10	5
42	5233071	Slip Bar		5
43	5233151	Elevating Shaft		5
44	5233111	Nut	5/8"-11UNC	10

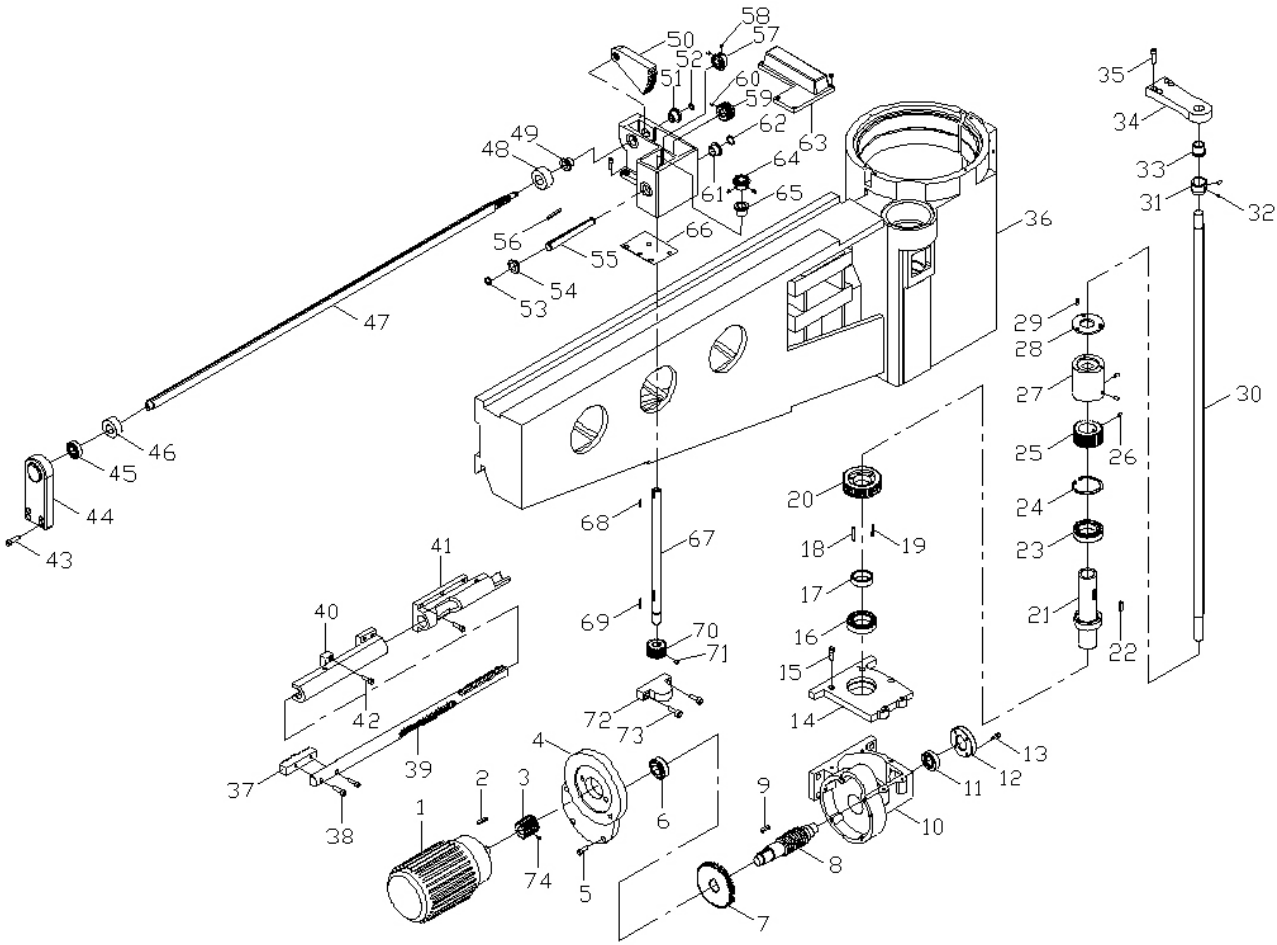
13.3.1 Arm (Front): Exploded View



13.3.2 Arm (Front): Parts List

Index No.	Part No.	Description	Size	Qty
45	J-5233371	Arm		1
46	5233431	Locking Nut		1
47	5233441	Thrust Bearing	51105	2
48	5233451	Plain Washer		2
49	5233461	Ball Bearing	6005ZZ	2
50	J-5233411	Fixed Clamping Block		2
51	5233421	Bolt	1/2" x 5"L	2
52	10040	Washer		2
53	TS-1504071	Socket Head Cap Screw	M8 x 35L	8
54	5233381	Locking Shaft		1
55	10040	Washer		2
56	5235811	Hex Nut	1/2"	2
57	TS-1503071	Socket Head Cap Screw	M6 x 30L	2
58	10032	Key		1
59	M1425001	Pan Head Socket Screw	3/16" x 3/8"L	6
60	10250	Upper Compression Cover		1
61	10798	Upper Compression Cover (notched)		1
62	J1230R-462	Lower Compression Cover		2
63	M1425001	Pan Head Socket Screw	3/16" x 3/8"L	6
64	5233391	Oil Cup	PT1/8" x 90°	2
65	5233331	Work Lamp	FS51441	1
65A	5233341	Lamp Seat		1
66	5233311	Acrylic Lamp Cover		1
67	5513357	Phillips Pan Head Machine Screw	3/16" x 3/8"L	12
68	TS-1504051	Socket Head Cap Screw	M8 x 25L	4
69	5233351	Arm Rack		1
70	10033	Handle		1
71	J-10393	Electric Control Box (without components)		1
72	10259	Collar		1
73	10258	Collar		1
74	CL-HV	Triangular Caution Label-High Voltage (not shown)	3"W x 2-1/2"H	1

13.4.1 Arm (Rear) and Clamping Gearbox: Exploded View

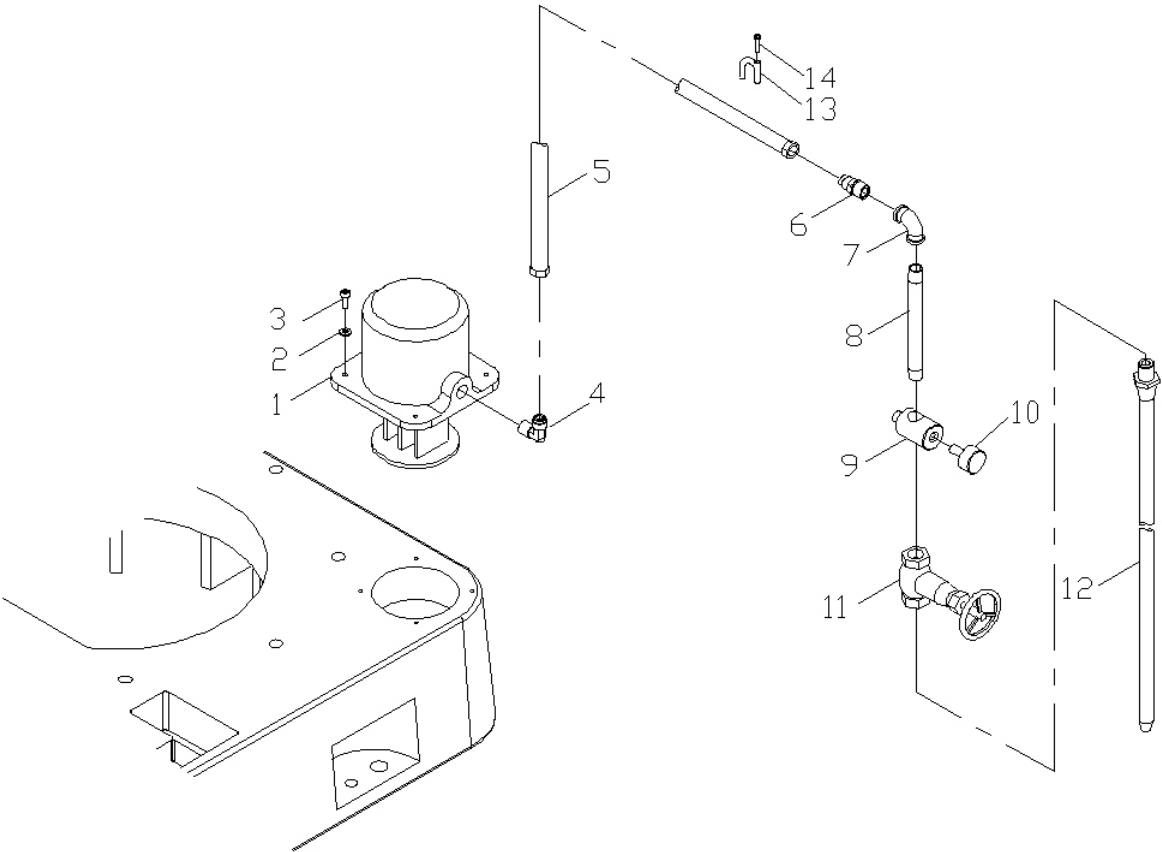


13.4.2 Arm (Rear) and Clamping Gearbox: Parts List

Index No.	Part No.	Description	Size	Qty
1	J-5236011	Motor (Clamping)	1HP, 230/460V	1
2	5236031	Key	6mm x 30L	1
3	5236021	Motor Gear		1
4	J-5236071	Upper Cover		1
5	TS-1504051	Socket Head Cap Screw	M8 x 25L	6
6	5236081	Bearing	32205	1
7	5236091	Gear		1
8	5236151	Worm Shaft		1
9	5236211	Key	7mm x 25L	1
10	J-5236141	Gear Case Cover		1
11	5236161	Bearing	32205	1
12	J-5236181	Bearing Cover		1
13	TS-1503041	Socket Head Cap Screw	M6 x 16L	4
14	J-5236131	Gear Case Cover		1
15	TS-1504051	Socket Head Cap Screw	M8 x 25L	5
16	5236431	Bearing	6009ZZ	1
17	5236411	Collar		1
19	TS-1503061	Socket Head Cap Screw	M6 x 25L	4
20	5236391	Worm Gear		1
21	5236381	Shaft		1
22	5236471	Key	6mm x 30L	2
23	5236371	Bearing	6009ZZ	1
24	5236351	Retainer	R75	1
25	5236331	Gear		1
26	TS-1524021	Set Screw	M8 x 10L	1
27	J-5236221	Bushing		1
28	5236231	Cover		1
29	M1414006	Pan Head Socket Screw	3/16" x 3/8"L	3
30	5236261	Locking Shaft		1
31	5236271	Bushing		1
32	TS-1523031	Set Screw	M6 x 10L	2
33	5236291	Bushing		1
34	J-5236311	Block		1
35	TS-15404061	Socket Head Cap Screw	M8 x 30L	4
36	J-5236321	Arm		1
37	5236621	Arm Rack		1
38	5236591	Bolt	M8 x 30L	2
39	5236611	Rack Shaft		1
40	5236581	Block		1
41	5236571	Block		1
42	TS-1504051	Socket Head Cap Screw	M8 x 25L	12
43	TS-1504061	Socket Head Cap Screw	M8 x 30L	4
44	J-5236641	Block		1
45	BB-6004ZZ	Ball Bearing	6004ZZ	1
46	5236841	Rubber Tap		1
47	5236651	Shaft		1
48	5236841	Rubber Tap		1
49	5236741	Bushing		1
50	5236771	Gear		1
51	5236751	Bushing		1
52	5236761	Retaining Ring	S15	1
53	5236721	Retaining Ring	S19	1
54	5236731	Bushing		1
55	5236681	Shaft		1
56	5236691	Key	5mm x 50L	1
57	5236781	Gear		1

Index No.	Part No.	Description	Size	Qty
58	TS-1523021	Set Screw	M6 x 8L	2
59	5236821	Gear		1
60	TS-1523021	Set Screw	M6 x 8L	1
61	5236671	Bushing		1
62	5236711	Retaining Ring	S19	1
63	10314W	Gear Box Cover		1
64	5236461	Gear		1
65	5236441	Bushing		1
66	10315	Washer		1
67	5236531	Shaft		1
68	5236521	Key	5mm x 18L	1
69	5236541	Key	6mm x 30L	1
70	5236561	Gear		1
71	TS-1524021	Set Screw	M8 x 10L	1
72	5236491	Block		1
73	TS-1505041	Socket Head Cap Screw	M10 x 30L	2
74	TS-1523021	Set Screw	M6 x 8L	1
75	J1230R-WL	Warning Label – Tipping Risk (not shown)	5-1/4" W x 8-1/4" H	1

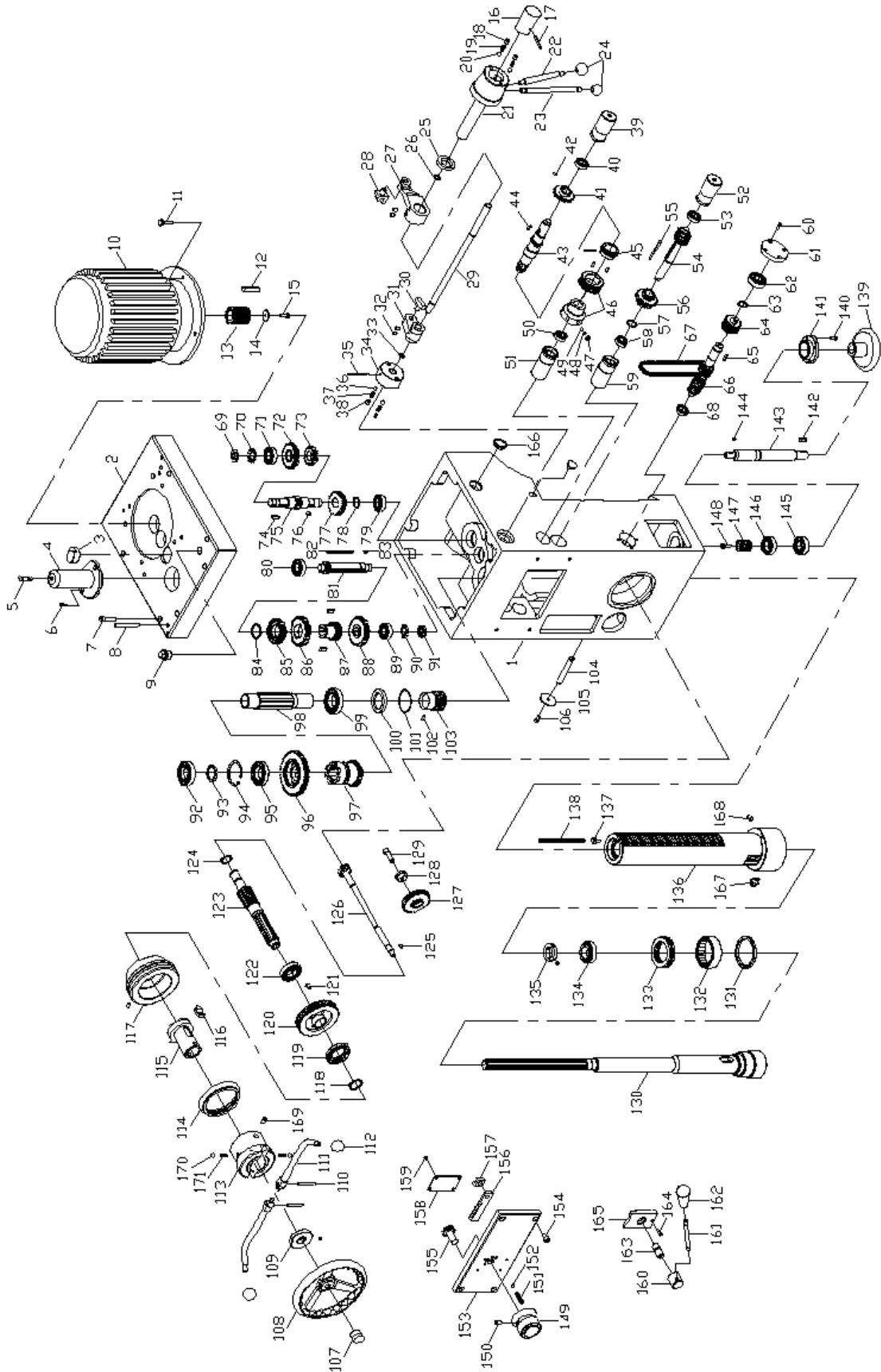
13.5.1 Coolant System: Exploded View



13.5.2 Coolant System: Parts List

Index No.	Part No.	Description	Size	Qty
1.....	J-5232291	Coolant Pump	130L 220/440V	1
2.....	TS-1550041	Flat Washer	M6	4
3.....	TS-1503041	Socket Head Cap Screw	M6 x 16L	4
4.....	5232321	90-Degree Elbow	PT1/4" x PS1/4" x 90°	1
5.....	5232271	Hose	PT3/8" x 130"L	1
6.....	5232411	Male Connector	PT3/8" x PS3/8"	1
7.....	5232341	90-Degree Elbow	3/8" x 90°	1
8.....	5232371	Tube	3/8" x 15"L	1
9.....	5232351	Tube Sleeve	2
10.....	5232391	Knurled Screw	M10 x 25L	2
11.....	5232421	Brass Valve	3/8"	1
12.....	5232431	Coolant Hose	3/8" x 450L	1
13.....	M1315017	Tube Holder	UC-5	2
14.....	5513357	Phillips Pan Head Machine Screw	3/16" x 3/8"L	2

13.6.1 Gearbox Assembly (Head): Exploded View



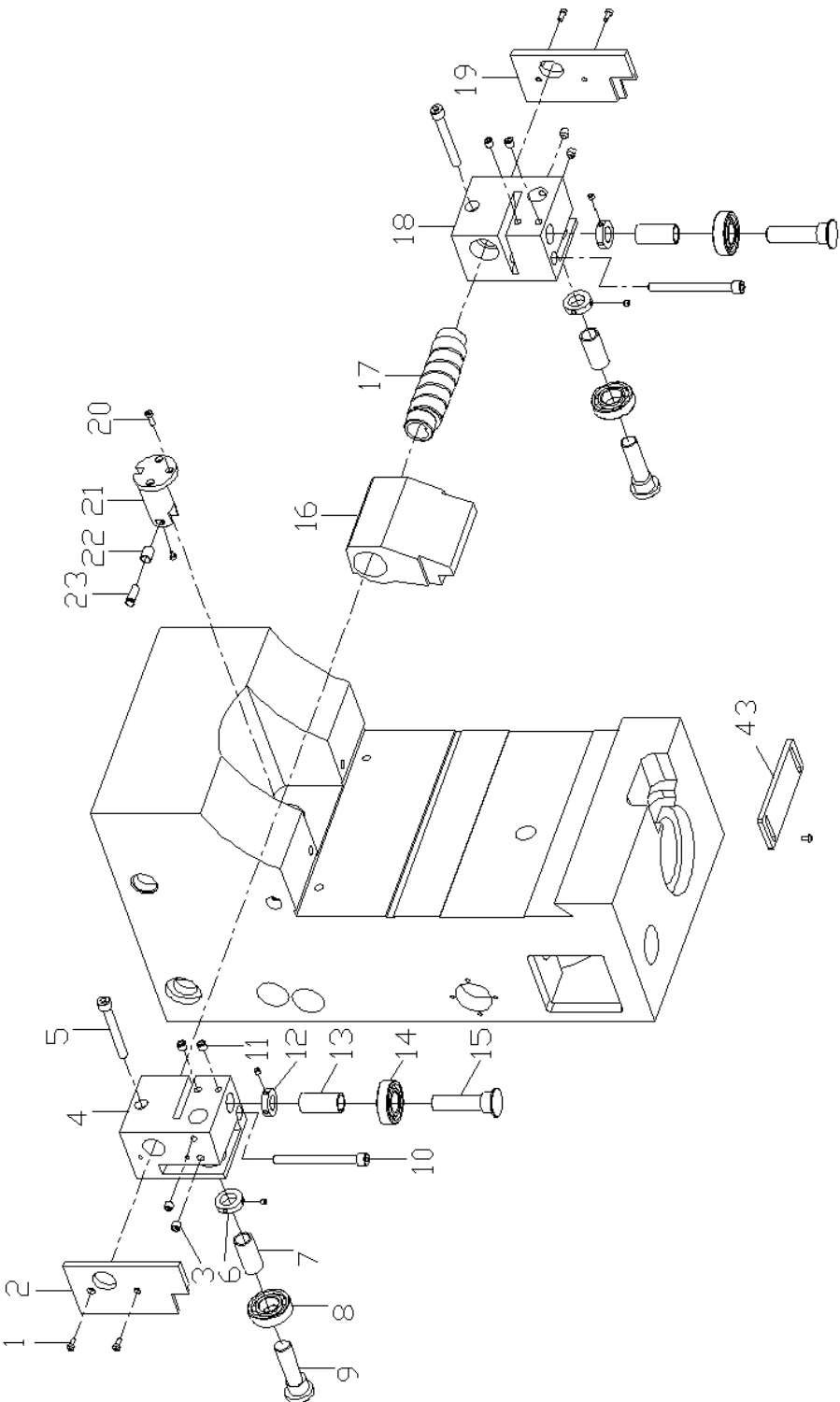
13.6.2 Gearbox Assembly (Head): Parts List

Index No.	Part No.	Description	Size	Qty
1	J-5235431	Gearbox		1
2	J-5234151	Gearbox Cover		1
3	5234211	Gasket		1
4	J-5234161	Spindle Cover		1
5	5234171	Oil Cup	PT1/8" x 3/4"	1
6	TS-1503031	Socket Head Cap Screw	M6 x 12L	2
7	M1401-M8x65	Socket Head Cap Screw	M8 x 65L	8
8	5234191	Taper Pin	#7 x 75L	2
9	M0604005	Oil Fill Plug	PT1/2"	2
10	J-5234431	Motor (Spindle)	3/5 HP, 230V	1
	J-5234431-460	Motor (Spindle)	3/5 HP, 460V	1
11	5234421	Bolt	M10 x 30L	4
12	5234411	Key	8mm x 40L	1
13	5234441	Motor Gear		1
14	5234451	Plain Washer		1
15	TS-1503051	Socket Head Cap Screw	M6 x 20L	1
16	5234631	Shaft Cover		1
17	M1305-5x40	Spring Pin	5mm x 40L	1
18	TS-1525011	Set Screw	M10 x 10L	2
19	10681	Spring		2
20	SB-5/16	Steel Ball	5/16"	2
21	5234651	Three Step Speed Change Lever Adaptor		1
22	5234861	Three Step Speed Change Lever (Short)		1
23	10324	Three Step Speed Change Lever (Long)		1
24	5234871	Plastic Knob	3/8"	2
25	5234661	Oil Seal	TC30 x 45 x 8mm	1
26	5234741	O-Ring	P12	1
27	5234671	Speed Change Rocker Arm		1
28	5234681	Copper Block		1
29	5234621	Spindle Change Shaft		1
30	5234711	Copper Block		1
31	5234721	Speed Change Rocker Arm		1
32	TS-1524021	Set Screw	M8 x 10L	4
33	5234741	O-Ring	P12	1
34	5234031	Feed Speed Selector		1
35	5234041	Spring Pin	5mm x 60L	1
36	SB-5/16	Steel Ball	5/16"	2
37	5234021	Spring		2
38	TS-1525011	Set Screw	M10 x 10L	2
39	5234941	Bushing		1
40	BB-6002ZZ	Ball Bearing	6002ZZ	1
41	5234921	Middle Gear		1
42	TS-1523021	Set Screw	M6 x 8L	1
43	5234891	Lower Feed Gear Shaft		1
44	5234881	Key	5mm x 12L	1
45	5234851	Gear		1
46	J-5234831	Worm Gear with Sleeve		1
47	5235021	Set Screw	M10 x 6L	6
48	5234781	Spring		6
49	SB-5/16	Steel Ball	5/16"	6
50	5233971	Bearing	6002ZZ	1
51	5233981	Bushing		1
52	5234971	Bushing		1
53	BB-6002ZZ	Ball Bearing	6002ZZ	1
54	5235011	Lower Feed Gear Shaft		1
55	5234991	Key	5mm x 65L	1

Index No.	Part No.	Description	Size	Qty
56	5234771	Gear		1
57	5235031	Retaining Ring	S22	1
58	5233941	Ball Bearing	6002ZZ	1
59	5233951	Bushing		1
60	TS-1502031	Socket Head Cap Screw	M5 x 12L	4
61	J-5235061	Bearing Cover		1
62	BB-6204ZZ	Ball Bearing	6204ZZ	1
63	5235031	Retaining Ring	S22	1
64	5235081	Helical Tooth Gear		1
65	5235351	Key	5mm x 20L	1
66	5235111	Sprocket Shaft		1
67	5235091	Chain	25H x 86	1
68	BB-6002ZZ	Ball Bearing	6002ZZ	1
69	5234481	Lock Nut		1
70	5234491	Crown Washer	AW04	1
71	BB-6004ZZ	Ball Bearing	6004ZZ	1
72	5234521	Gear		1
73	5234531	Gear		1
74	5234551	Key	7mm x 20L	1
75	5234561	Gear Shaft		1
76	5234571	Key	7mm x 12L	1
77	5234581	Gear		1
78	5234591	Retaining Ring	S22	1
79	BB-6004ZZ	Ball Bearing	6004ZZ	1
80	BB-6004ZZ	Ball Bearing	6004ZZ	1
81	5234361	Gear Shaft		1
82	5234371	Key	6mm x 85L	2
83	5234351	Key	6mm x 10L	2
84	5234341	Retaining Ring	S35	1
85	5234331	Gear		1
86	5234321	Gear		1
87	5234311	Gear		1
88	5234281	Gear		1
89	BB-6004ZZ	Ball Bearing	6004ZZ	1
90	5234261	Crown Washer	AW04	1
91	5234251	Lock Nut		1
92	5234141	Ball Bearing	6007UU	1
93	5234131	Washer		1
94	M1312-R62	Retaining Ring	R62	1
95	5234121	Ball Bearing	6007UU	1
96	5234111	Clutch Upper Gear		1
97	5234091	Clutch Lower Gear		1
98	5234231	Spindle Shaft		1
99	5234241	Bearing	6007UU	1
100	5234071	Oil Seal	TC42 x 58 x 8	1
101	5234081	O-Ring	P30	1
102	TS-1523031	Set Screw	M6 x 6L	1
103	5234061	Worm		1
104	10353	Copper Key		1
105	10123	Washer		1
106	TS-1503031	Socket Head Cap Screw	M6 x 12L	1
107	5233551	Hand Wheel Lock Nut		1
108	5233561	Hand Wheel		1
109	10103	Nut		1
110	5233591	Spring Pin	5mm x 50L	2
111	5233581	Feed Handle		2
112	5233571	Plastic Knob	3/8"	2
113	5233611	Clutch Housing		1

Index No.	Part No.	Description	Size	Qty
114	5233651	Dial		1
115	5233691	Clutch Upper Gear		1
116	5233681	Key		1
117	5233661	Dial Seat		1
118	5233751	Retaining Ring	S30	1
119	5233761	Clutch		1
120	5233771	Worm Gear		1
121	5233731	Bolt	M6 x 14L	4
122	BB-6006ZZ	Ball Bearing	6006ZZ	1
123	5233781	Gear Shaft		1
124	5233791	Retaining Ring	S24	1
125	5233811	Key	5mm x 12L	1
126	5233741	Pinion Shaft		1
127	10215	Gear		1
128	10108	Eccentric Bushing		1
129	TS-1505041	Socket Head Cap Screw	M10 x 30L	1
130	5235151	Spindle		1
131	5235131	Lock Nut		1
132	5235191	Needle Bearing	RNA4911	1
133	BB-51111	Thrust Bearing	51111	1
134	BB-32006	Taper Bearing	32006	1
135	J-10190	Lock Nut		1
136	5235181	Quill		1
137	10352	Special Bolt		1
138	M1204006	Chain	25H x 86	1
139	5235421	Manual Feed Hand Wheel		1
140	TS-1502031	Socket Head Cap Screw	M5 x 12L	4
141	5235261	Bearing Housing		1
142	5235311	Key	6mm x 20L	1
143	5235321	Pinion Shaft		1
144	5235121	Key	4mm x 12L	1
145	BB-6204ZZ	Ball Bearing	6204ZZ	1
146	BB-6005ZZ	Ball Bearing	6005ZZ	1
147	5235331	Helical Tooth Gear		1
148	TS-1503051	Socket Head Cap Screw	M6 x 20L	1
149	5233871	Feed Speed Selector		1
150	5233841	Bolt	M10 x 16L	1
151	5233851	Spring		1
152	5233861	Steel Ball	5/16"	1
153	J-5233891	Gear Box Front Plate		1
154	TS-1504031	Socket Head Cap Screw	M8 x 16L	4
155	5233911	Feed Speed Change Gear		1
156	5233821	Feed Speed Change Rack		1
157	5233831	Copper Block		1
158	5233921	Plate		1
159	5233931	Bolt	3/16" x 1/4"L	1
160	10111	Nut		1
161	10072	Lock Lever		1
162	M1317005	Plastic Knob	5/16"	1
163	10110	Lock Screw		1
164	TS-1502041	Socket Head Cap Screw	M5 x 16L	1
165	10109	Set Block		1
166	5234751	Oil Level Gauge		1
167	5235271	Grease Nipple	PT1/8"	1
168	TS-1523021	Set Screw	M6x8L	1
169	5233641	Cotter Pin		1
170	SB-3/8	Steel Ball	3/8"	2
171	5233711	Spring		2

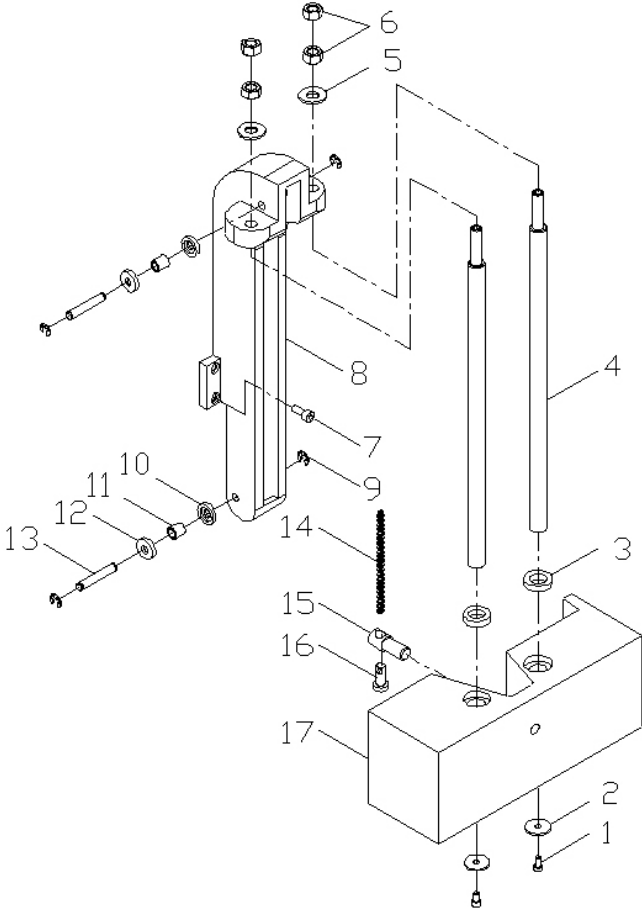
13.7.1 Rear of Head I: Exploded View



13.7.2 Rear of Head I: Parts List

Index No.	Part No.	Description	Size	Qty
1	5235731	Bolt	3/16" x 1/2"L	4
2	J-5235721	Aluminum Plate		1
3	TS-1525011	Set Screw	M10 x 10L	4
4	J-5235471	Bearing Bracket		1
5	5235441	Socket Head Cap Screw	M10 x 85L	2
6	5235451	Adjustable Collar		2
7	5235691	Bushing		2
8	BB-6205ZZ	Bearing	6205ZZ	2
9	5235711	Eccentric Shaft		2
10	5235651	Bolt	M10 x 110L	2
11	TS-1525011	Set Screw	M10 x 10L	4
12	5235461	Adjustable Collar		2
13	5235671	Bushing		2
14	BB-6205ZZ	Bearing	6205ZZ	2
15	5235641	Eccentric Shaft		2
16	J-5235491	Cam Shaft Sleeve		1
17	5235481	Cam Shaft		1
18	J-5235511	Bearing Bracket		1
19	J-5235561	Aluminum Plate		1
20	TS-1502041	Socket Head Cap Screw	M5 x 16L	3
21	5235421	Eccentric Shaft		1
22	M0924-IRT1015-1	Bearing Inner Ring	IRT1015-1	1
23	10221	Shaft		1
43	10356	Mounting Plate		1

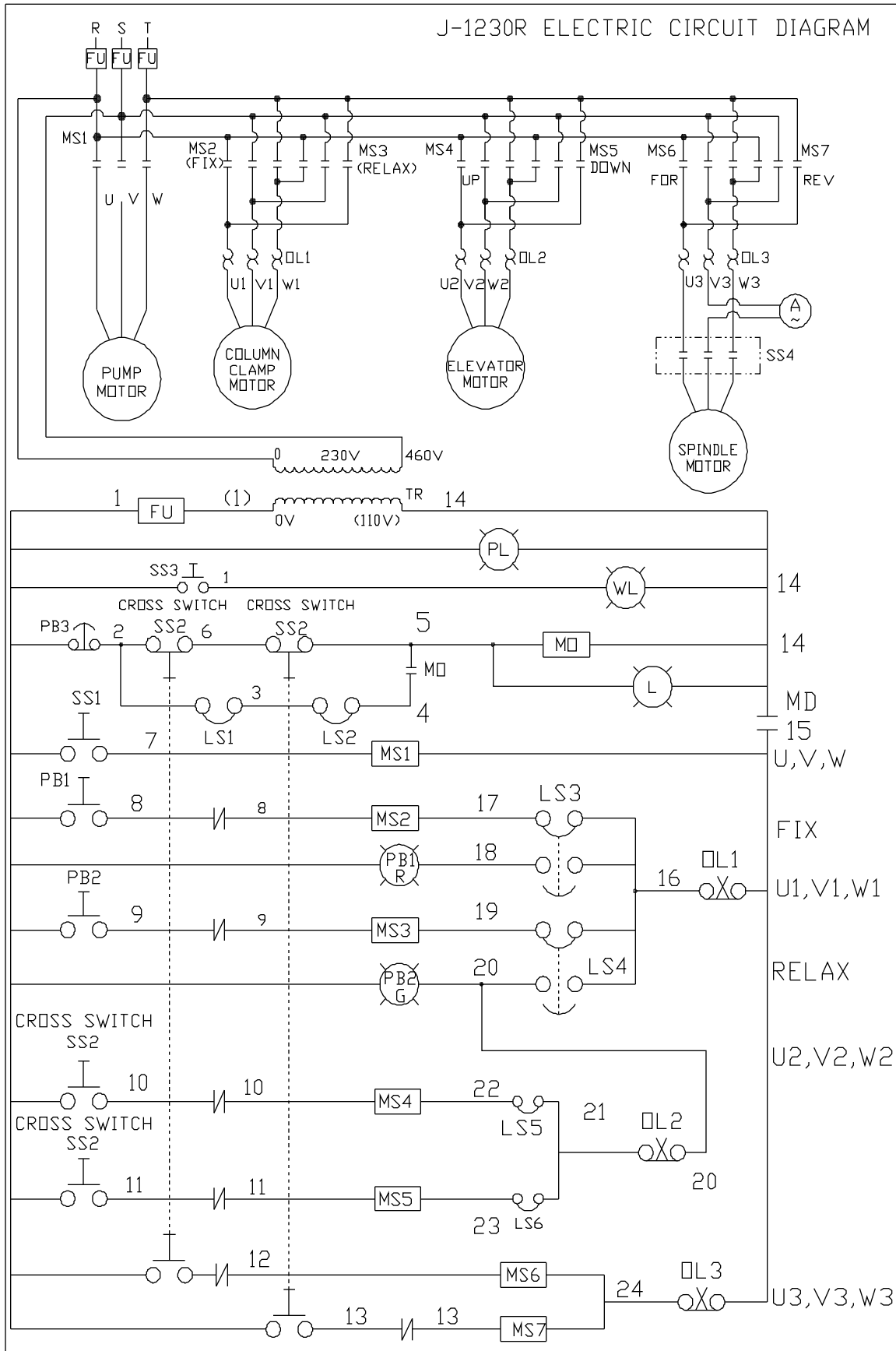
13.8.1 Counterweight Assembly: Exploded View



13.8.2 Counterweight Assembly: Parts List

Index No.	Part No.	Description	Size	Qty
1.....	TS-1503031	Socket Head Cap Screw	M6 x 12L.....	2
2.....	5235761	Washer		2
3.....	5235771	Oil Seal.....	TC19 x 32 x 8.....	2
4.....	5235781	Round Bar.....		2
5.....	5235791	Washer	1/2".....	2
6.....	5235811	Nut	1/2".....	4
7.....	5235831	Socket Head Cap Screw	M8 x 120L.....	4
8.....	J-5235841	Chain Frame		1
9.....	5235911	Retainer.....	E9.....	4
10.....	10376	Collar.....		2
11.....	5235931	Bearing	TA1015Z.....	2
12.....	10376	Collar.....		2
13.....	5235941	Shaft.....		2
14.....	5235961	Chain.....	3/8" x 130.....	1
15.....	5235971	Bolt.....		1
16.....	5235981	Chain Adapter		1
17.....	J-5235991	Cast Iron Block		1

14.0 Electrical Connections for J-1230R



14.1 Electrical Connections for J-1230R: Parts List

Part No.	Symbol	Description	Size	Qty
E0701020	MS1	Magnetic Contactor	CU11,3a1b,110V	1
E0701020	MS2	Magnetic Contactor	CU11,3a1b,110V	1
E0701020	MS3	Magnetic Contactor	CU11,3a1b,110V	1
E0701020	MS4	Magnetic Contactor	CU11,3a1b,110V	1
E0701020	MS5	Magnetic Contactor	CU11,3a1b,110V	1
E0701021	MS6	Magnetic Contactor	CU18,110V	1
E0701021	MS7	Magnetic Contactor	CU18,110V	1
E0701020	MO	Magnetic Contactor	CU11,3a1b,110V	1
E2802003	Fu	Fuse Seat	3P(14*51)	1
E2802013	Fu	Fuse Seat	1P(14*51)	1
E3101012	Fu	Fuse	40A(14*51)	3
E3101016	Fu	Fuse	5A(14*51)	2
E1801015	TR	Transformer	PT40 100VA	1
E1602001		Safety Switch	XF163B	1
E1303001	SS1	Coolant Switch	ST-302	1
5231981	SS2	Cross Switch (includes 5231951)	Up 1A Down 1A	1
E1604001	SS3	Selector Switch	SN1021	1
E1603001	SS4	Pole Reversing Switch (Speed Change)	A441,CA10	1
E1701002	WL	Work Lamp	FS 51441	1
E1202011	PB1	Push Button	YK ϕ 22, 110V 1a1b (R)	1
E1202003	PB2	Push Button	YK ϕ 22, 110V 1a1b (G)	1
E1618001	PB3	Emergency Push Button	SBT-307	1
E2303006	L	Control Light	SP301 110V (White)	1
E2303003	PL	Power Light	SP301 110V (Red)	1
E0207016	OL1	Overload Relay (for 230V)	RHN 10/3.5-4.8A	1
E0207016	OL2	Overload Relay (for 230V)	RHN 10/3.5-4.8A	1
E0207036	OL3	Overload Relay (for 230V)	RHN 10/17-24A	1
E0207018	OL1	Overload Relay (for 460V)	RHN 10/1.8-2.5A	1
E0207018	OL2	Overload Relay (for 460V)	RHN 10/1.8-2.5A	1
E0207017	OL3	Overload Relay (for 460V)	RHN 10/8.5-12.5A	1
E0901006	LS1	Micro Switch	MJ2-1308R	1
E0901008	LS2	Micro Switch	TZ-8104	1
E0901007	LS3	Micro Switch	MJ2-1704	1
E0901007	LS4	Micro Switch	MJ2-1704	1
E0901007	LS5	Micro Switch	MJ2-1704	1
E0901007	LS6	Micro Switch	MJ2-1704	1
E3602001	A	Ammeter	SO65,30A	1
*		Coolant Pump	1/8HP, 2P, 3PH, L:130mm	1
*		Column Clamping Motor	1HP, 3PH, 4P	1
*		Elevating Motor	1HP, 3PH, 4P	1
*		Main (Spindle) Motor	3HP/1.5HP, 4P/8P	1

* see relevant breakdowns for stock numbers