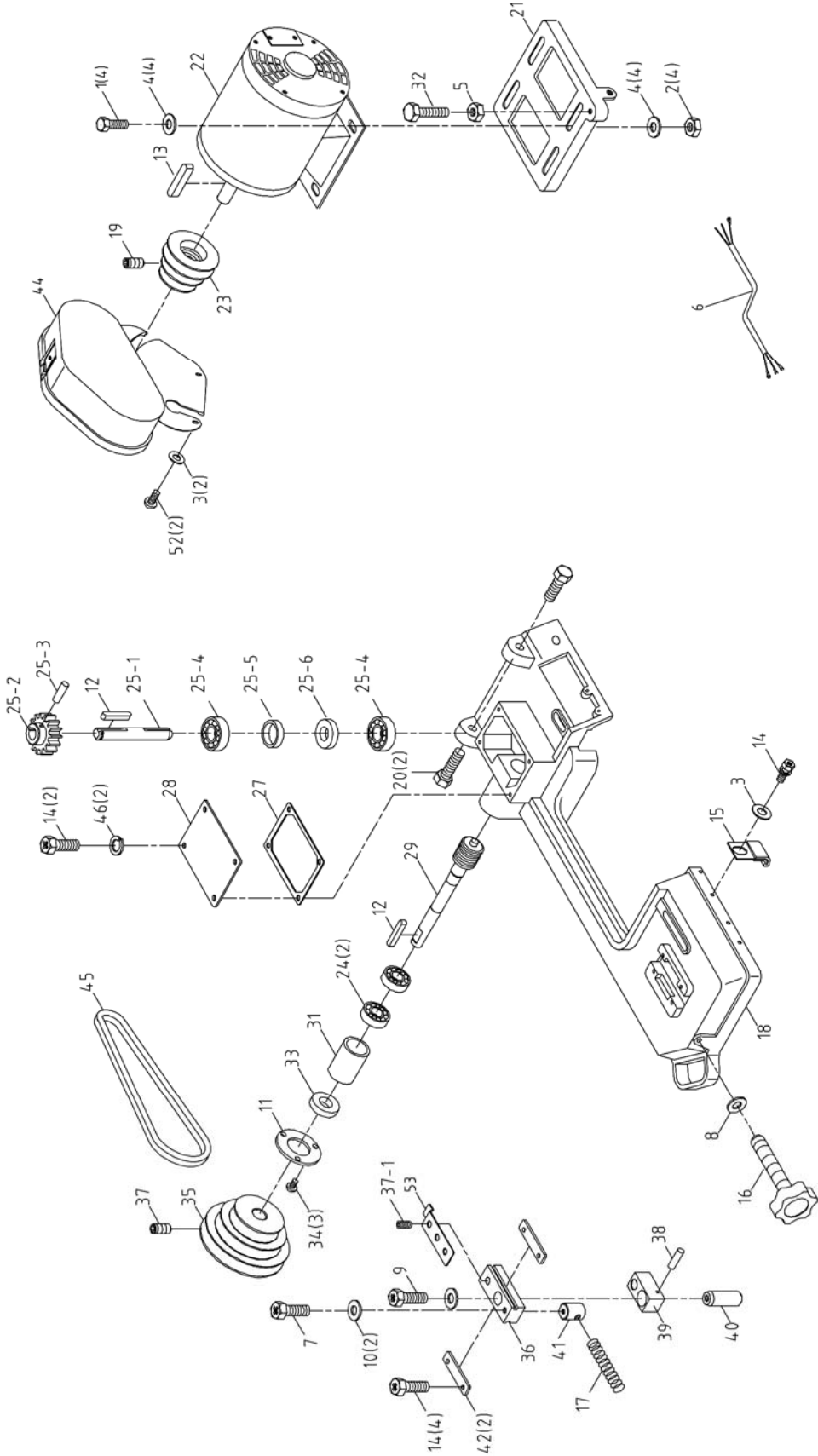


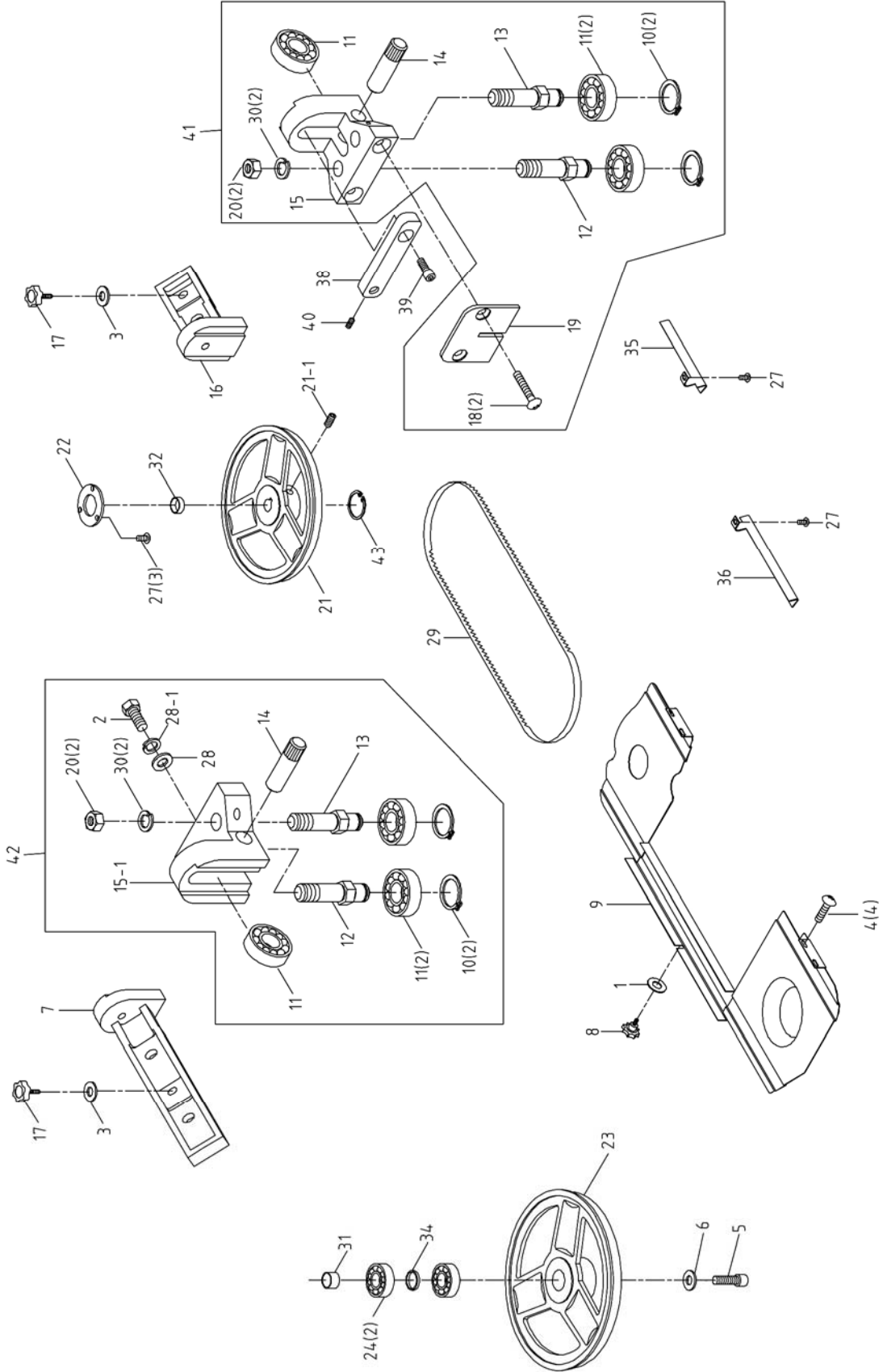
13.1.1 Lower Saw Head – Exploded View



13.1.2 Lower Saw Head – Parts List

Index No	Part No	Description	Size	Qty
01.....	5631421.....	Hex head Screw.....	1/4"-20x3/4".....	4
02.....	5631431.....	Hex nut.....	1/4"-20.....	4
03.....	5630221.....	Washer.....	1/4"x5/8xt1.5mm.....	3
04.....	5631451.....	Washer.....	5/16"x23xt2.....	8
05.....	5630061.....	Hex nut.....	5/16"-18.....	1
06.....	5631161.....	Motor cable.....		1
07.....	5630471.....	Hex head screw.....	5/16"-18x1-1/4"L.....	1
08.....	5630301.....	Washer.....	3/8"x27xt3.....	1
09.....	5631481.....	HH screw.....	5/16"-18x3/4"L.....	2
10.....	5630461.....	Washer.....	5/16"x23xt3.....	2
11.....	5630661.....	Wheel bearing Cover.....		1
12.....	5630671.....	Key.....	5x5x25mm.....	2
13.....	5632011.....	Motor key.....	5x5x30mm.....	1
14.....	5632021.....	Hex head screw.....	1/4"-20x1/2"L.....	9
15.....	5630701.....	Switch activator bracket.....		1
16.....	5630731.....	Blade tension adjustment knob.....	3/8"-16UNCx94mmL.....	1
17.....	5630741.....	Spring.....		1
18.....	J-5630751.....	Head casting.....		1
19.....	5630681.....	Set screw.....	M8-P1.25x8L.....	1
20.....	563077A.....	Hex head screw.....	3/8"-16x1-1/4"L.....	2
21.....	563078A.....	Motor mounting plate.....		1
22.....	J-5630791.....	Motor.....	1/2HP,1PH,,115V.....	1
23.....	5630811.....	Motor pulley.....		1
24.....	5630821.....	Ball bearing.....	6202Z.....	2
25.....	5633121.....	Transmission gear shaft.....		1
25-1.....	5521940.....	Transmission Wheel Shaft.....		1
25-2.....	5521941.....	Transmission Gear.....		1
25-3.....	5521942.....	Pin.....	4x22mmL.....	1
25-4.....	5630821.....	Ball Bearing.....	6202ZZ.....	2
25-5.....	5521943.....	Bushing.....		1
25-6.....	5630941.....	Oil Seal.....	TC15x35x7.....	1
27.....	5630871.....	Gearbox gasket.....		1
28.....	5630881.....	Gearbox cover.....		1
29.....	5630921.....	Worm gear & shaft assy.....		1
31.....	5630911.....	Bearing bushing.....		1
32.....	563093A.....	Belt tension adj. screw.....	5/16"-18x1-1/2"L.....	1
33.....	5630941.....	Oil Seal.....	TC15x35x7.....	1
34.....	5632031.....	RH Phillips screw.....	5/32"-32x3/8"L.....	3
35.....	5630961.....	Worm gear pulley.....		1
36.....	5630971.....	Blade tension guide block.....		1
37.....	5630981.....	Set Screw.....	M8-P1.25x15mmL.....	1
38.....	5630991.....	Spiral pin.....	4x20L.....	1
39.....	5631001.....	Sliding plate draw block.....		1
40.....	5631011.....	Blade wheel shaft.....		1
41.....	5631021.....	Tension block.....		1
42.....	5631031.....	Guide block holder.....		2
43.....	5631041.....	Guard plate.....		1
44.....	5631051.....	Pulley guard.....		1
45.....	5631061.....	V-Belt.....	4L230.....	1
46.....	5631151.....	Lock washer.....	1/4".....	1
47.....	5631311.....	Vent plug.....		1
48.....	5632081.....	Rubber plug.....		1
49.....	5521944.....	Cylinder Upper Bracket.....		1
50.....	TS-2248162.....	Socket HD button screw.....	M8X16.....	2
50.....	5521951.....	Hex head screw.....	5/16"-18x7/8"L.....	2
51.....	TS-1550061.....	Flat Washer.....	M8.....	2
51.....	5521952.....	Lock Washer.....	5/16".....	2
52.....	5632021.....	Hex head screw.....	1/4"-20x1/2"L.....	2
53.....	5521945.....	Tension guard.....		1

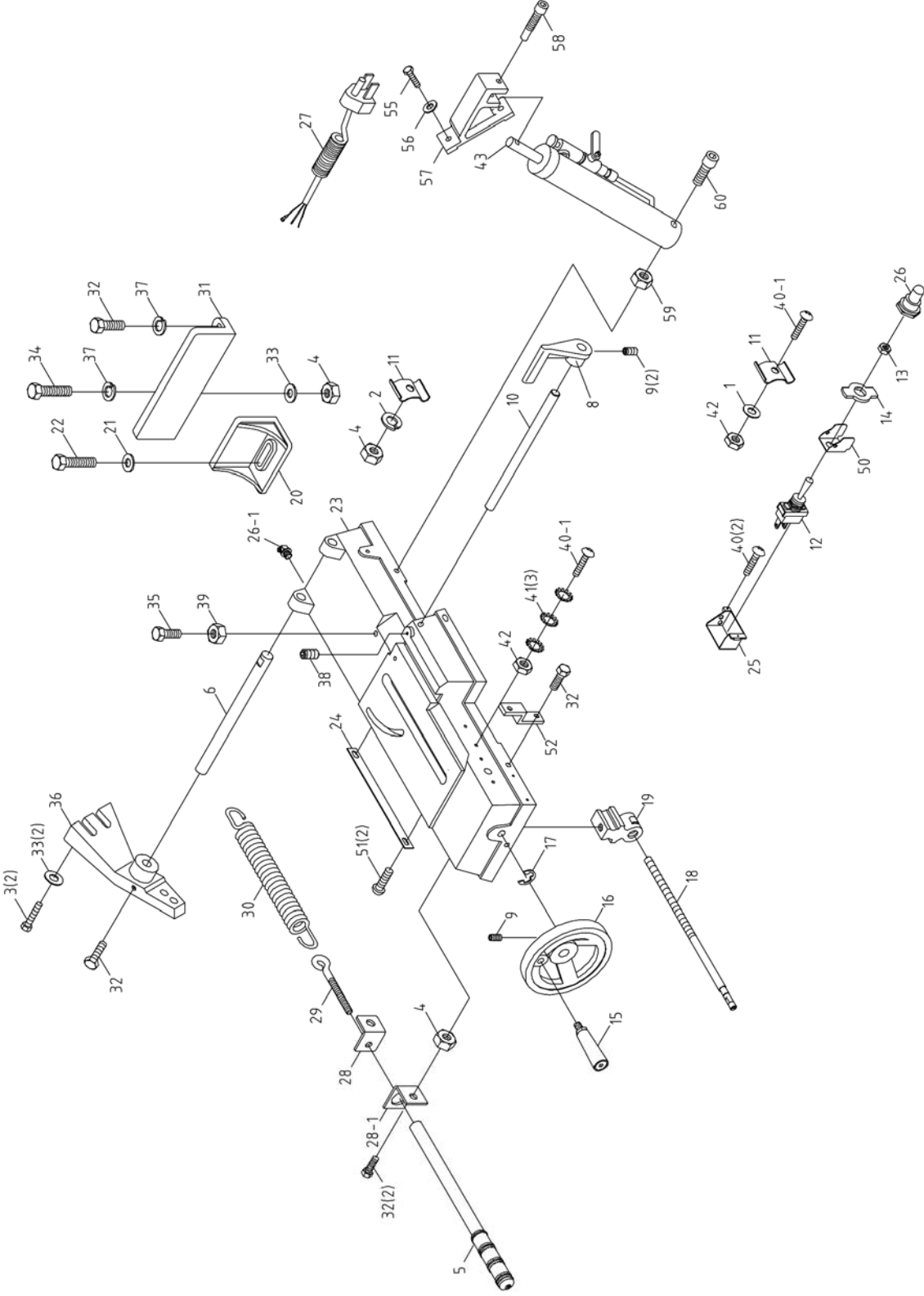
13.2.1 Upper Saw Head – Exploded View



13.2.2 Upper Saw Head – Parts List

Index No	Part No	Description	Size	Qty
01.....	.5630221.....	Washer	1/4"x16xt1.5.....	1
02.....	.5630051.....	Hex head screw	5/16"-18x1-1/4"L	2
03.....	.5630301.....	Washer	3/8"x27xt3.....	3
04.....	.5631471.....	RH Phillips screw.....	3/16"-24x3/8"L.....	4
05.....	.5631481.....	Hex head screw.....	5/16"-18x3/4"L.....	3
06.....	.5630461.....	Washer.....	5/16"x23xt3.....	1
07.....	.563051A.....	Top guide bar.....		1
08.....	.5630521.....	Knob		1
09.....	J-5630531.....	Blade guard cover		1
10.....	.5630541.....	Retaining ring.....	5/16"x0.040.....	4
11.....	.563055A.....	Bearing	608 and 629.....	6
12.....	.563056A.....	Straight shaft.....		2
13.....	.563050A.....	Eccentric shaft		2
14.....	.563057A.....	Bearing pin shaft.....		2
15.....	.563129A.....	Bearing bracket, right.....		1
15-1.....	.5521954.....	Bearing bracket, left.....		1
16.....	.563059A.....	Bottom guide bar		1
17.....	.5630601.....	Hand knob	3/8"-16x31L.....	1
18.....	.5630621.....	Flat head screw	1/4"-x20x1/2"L	1
19.....	.5630631.....	Deflector plate.....		1
20.....	.5630641.....	Hex Nut	3/8-16UNC.....	4
21.....	.5630651.....	Drive wheel		1
21-1.....	TS-0270021.....	Socket set screw	5/16"-18x5/16"L	1
22.....	.5630661.....	Wheel bearing Cover.....		1
23.....	.5630711.....	Idler wheel.....		1
24.....	.5630821.....	Ball bearing	6202ZZ.....	2
27.....	.5632031.....	RH Phillips screw	5/32"-32x1/4"L	5
28.....	.5632041.....	Washer	5/16"x2mm.....	1
28-1.....	TS-0720081.....	Lock washer.....	5/16".....	1
29.....	.5631241.....	Standard blade	14Tx1/2x.025x68.....	1
.....	.5631261.....	Optional blade	8Tx1/2x.025x68.....	1
.....	.5631071.....	Optional blade.....	10Tx1/2x.025x68.....	1
30.....	.5631081.....	Split lock washer	3/8".....	4
31.....	.5631121.....	Bushing		1
32.....	.5632051.....	Drive wheel bushing.....		1
33.....	.5631341.....	Retainer ring		1
34.....	.5630721.....	Bushing		1
35.....	J-563120A.....	Bottom blade guard.....		1
36.....	J-5631211.....	Upper blade guard.....		1
38.....	.5631231.....	Bracket		1
39.....	.5630261.....	Aluminum hd. screw	5/16"-18x1-1/4"L	1
40.....	.5632131.....	Set screw.....	1/4"-20x3/8"L.....	1
41.....	.5631371.....	Bottom blade guide assembly.....		1
42.....	.5631361.....	Top blade guide assembly.....		1
43.....	.5518413.....	C-Ring	S15.....	1

13.3.1 Saw Base – Exploded View

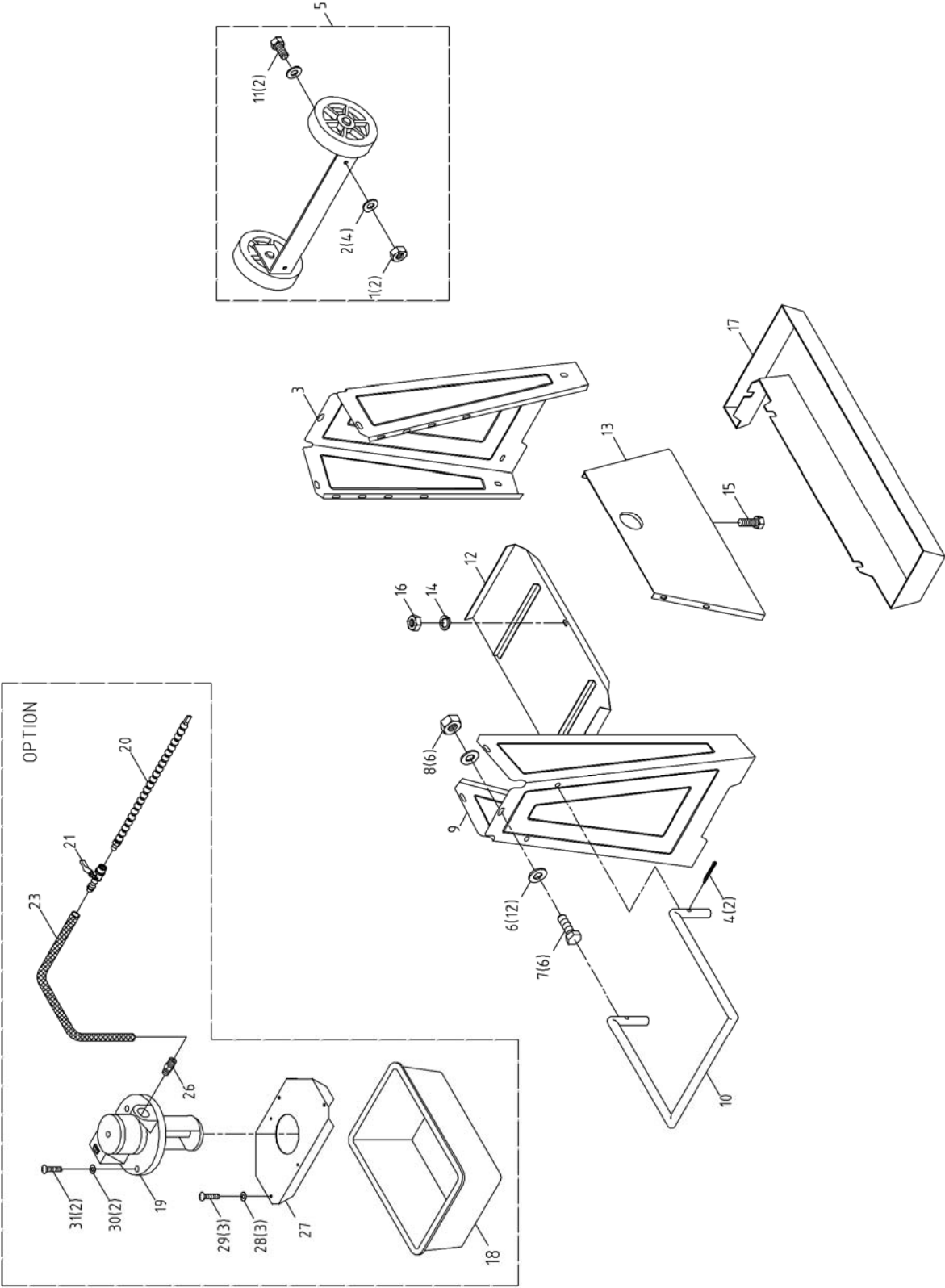


13.3.2 Saw Base – Parts List

Index No	Part No	Description	Size	Qty
01.....	5630221.....	Washer	1/4"x16xt1.5.....	1
02.....	5630031.....	Washer.....	5/16".....	1
03.....	5630051.....	Hex head screw.....	5/16"-18x1"L.....	2
04.....	5630061.....	Hex nut.....	5/16"-18.....	8
05.....	5630081.....	Adjust rod.....		1
06.....	5630111.....	Pivoting rod.....		1
07.....	5630121.....	Support plate.....		1
08.....	5630131.....	Stock stop.....		1
09.....	5630241.....	Set screw.....	5/16"-18x5/16"L.....	2
10.....	5630151.....	Stock stop rod.....	1/2"x216L.....	1
11.....	5630111.....	Electric wire restrainer.....		2
12.....	5630171.....	Toggle switch.....		1
13.....	5630181.....	T.S. hex nut.....		1
14.....	5630211.....	ON/OFF plate.....		1
15.....	5631091.....	Handle grip.....		1
16.....	5630231.....	Hand wheel.....		1
17.....	5630251.....	Retaining ring.....	E10.....	1
18.....	5630271.....	Lead screw.....		1
19.....	5630281.....	Vise nut.....		1
20.....	J-5630291.....	Vise jaw, left.....		1
21.....	5630301.....	Washer.....	3/8"x27xt3.....	3
22.....	5630311.....	Hex head screw.....	5/16"-18x1-1/4"L.....	1
23.....	J-5630321.....	Base casting.....		1
24.....	5630341.....	Scale.....		1
25.....	5630351.....	Switch enclosure.....		1
26.....	J3130-326.....	Plastic Cover.....		1
26-1.....	563038A.....	Wire restrainer.....	PG9.....	1
27.....	5630391.....	Power supply cable.....		1
28.....	5630401.....	Feed spring bracket, right.....		1
28-1.....	5521946.....	Feed spring bracket, left.....		1
29.....	5630411.....	Eye bolt.....		1
30.....	5630421.....	Spring.....		1
31.....	J-5630441.....	Vise jaw, right.....		1
32.....	5631481.....	Hex head screw.....	5/16"-18x1"L.....	6
33.....	5630461.....	Washer.....	5/16"x23xt3.....	3
34.....	5630451.....	Hex head screw.....	5/16"-18x1-1/2"L.....	1
35.....	5631491.....	Hex head screw.....	7/16"-14x2"L.....	1
36.....	J-5630491.....	Pivot.....		1
37.....	5630611.....	Spring Washer.....	5/16"x3/4"x1/8".....	2
38.....	5630981.....	Set screw.....	5/16"-18x5/8"L.....	1
39.....	5632061.....	Hex nut.....	7/16"-14.....	1
40.....	5632091.....	RH Phillips screw.....	3/16"-24x3/8"L.....	2
40-1.....	5521947.....	RH Phillips screw.....	3/16"-24x3/4"L.....	2
41.....	5632101.....	Star Washer.....	3/16".....	3
42.....	5632111.....	Hex nut.....	3/16"-24.....	1
43.....	5521948.....	Cylinder.....		1
43-1.....	TS-1540061.....	Hex Nut, Full.....	M8.....	1
44.....	TS-1505081.....	Socket HD cap screw.....	M10-P1.5x50.....	1
44.....	TS-0209011.....	Socket HD cap screw.....	3/8"-16x2-1/2.....	1
45.....	TS-1550061.....	Flat Washer.....	M8.....	1
46.....	TS-1540071.....	Hex Nut, Full.....	M10.....	1
46.....	5521953.....	Hex nut.....	3/8"-16.....	1
47.....	TS-1504091.....	Socket HD cap screw.....	M8x45.....	1
50.....	5521949.....	Switch Cover.....		1
51.....	5632091.....	RH Phillips screw.....	3/16"-24x3/8"L.....	2
52.....	5521950.....	Fixed Plate.....		1
53.....	TS-0208061.....	Socket HD cap screw.....	5/16"-18x1.....	1
54.....	TS-0561021.....	Hex Nut, Full.....	5/16"-18.....	1
55.....	TS-0050051.....	Hex cap screw.....	1/4"-20x1".....	2
56.....	TS-0680021.....	Flat washer.....	1/4".....	2

Index No	Part No	Description	Size	Qty
57.....	HBS56S-259	Cylinder Upper support (serial #11110606 and higher)		1
58.....	TS-0209061.....	Socket HD cap screw.....	3/8"-16x1-1/4"L.....	1
59.....	TS-0561021.....	Hex nut	5/16"	1
60.....	J-3130-60	Socket HD cap screw.....	5/16"-18x4"L	1

13.4.1 Stand and Coolant System – Exploded View



13.4.2 Stand and Coolant System – Parts List

Index No	Part No	Description	Size	Qty
01.....	5631431.....	Hex nut	1/4"-20.....	2
02.....	5630221.....	Washer	1/4"x16xt1.5.....	4
03.....	J-5630041.....	Right floor stand.....		1
04.....	5631441.....	Cotter pin.....	1/8"x1"L.....	2
05.....	5633021.....	Wheel assembly.....		1
06.....	5630031.....	Washer.....	5/16"x23xt2.....	12
07.....	5630051.....	Hex head screw.....	5/16"-18x1-1/4"L.....	6
08.....	5630061.....	Hex nut	5/16"-18.....	6
09.....	J-5630071.....	Left floor stand		1
10.....	5631461.....	Handle		1
11.....	5632021.....	Hex head screw.....	1/4"-20x1/2"L.....	2
12.....	J-5631191.....	Tray.....		1
13.....	J-5631181.....	Skirt.....		1
14.....	5631151.....	Lock washer.....	1/4".....	1
15.....	5632071.....	Carriage bolt	1/4"-20x1/2".....	1
16.....	5630021.....	Hex nut	1/4"-20.....	1
17.....	J-5631171.....	Trough.....		1
18.....	J-5042291.....	Tank.....		1
19.....	J-5042281.....	Coolant pump.....		1
20.....	5042341.....	Nozzle.....		1
21.....	5042351.....	Valve.....		1
22.....	5049361.....	Divider		1
23.....	9307291.....	Hose.....		1
24.....	5042331.....	Nipple		1
25.....	5042321.....	Nipple		1
26.....	5042981.....	Elbow.....		1
27.....	3230-0527.....	Leg.....		1
28.....	TS-1550031.....	Washer	M5.....	3
29.....	TS-1533042.....	Screw	M5 x10L.....	3
30.....	TS-1551041.....	Spring Washer	M6.....	2
31.....	TS-1534052.....	Pan Head Screw	M6x15L.....	2
.....	5056840.....	Wet Kit, 115V (includes #18-21,23,26-31)		