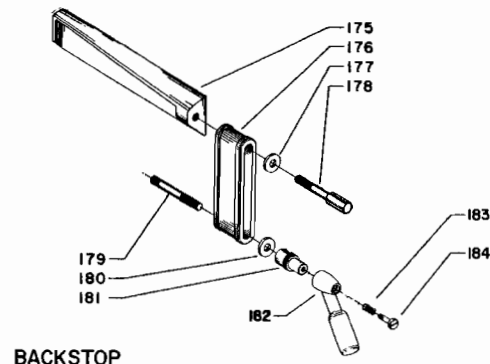
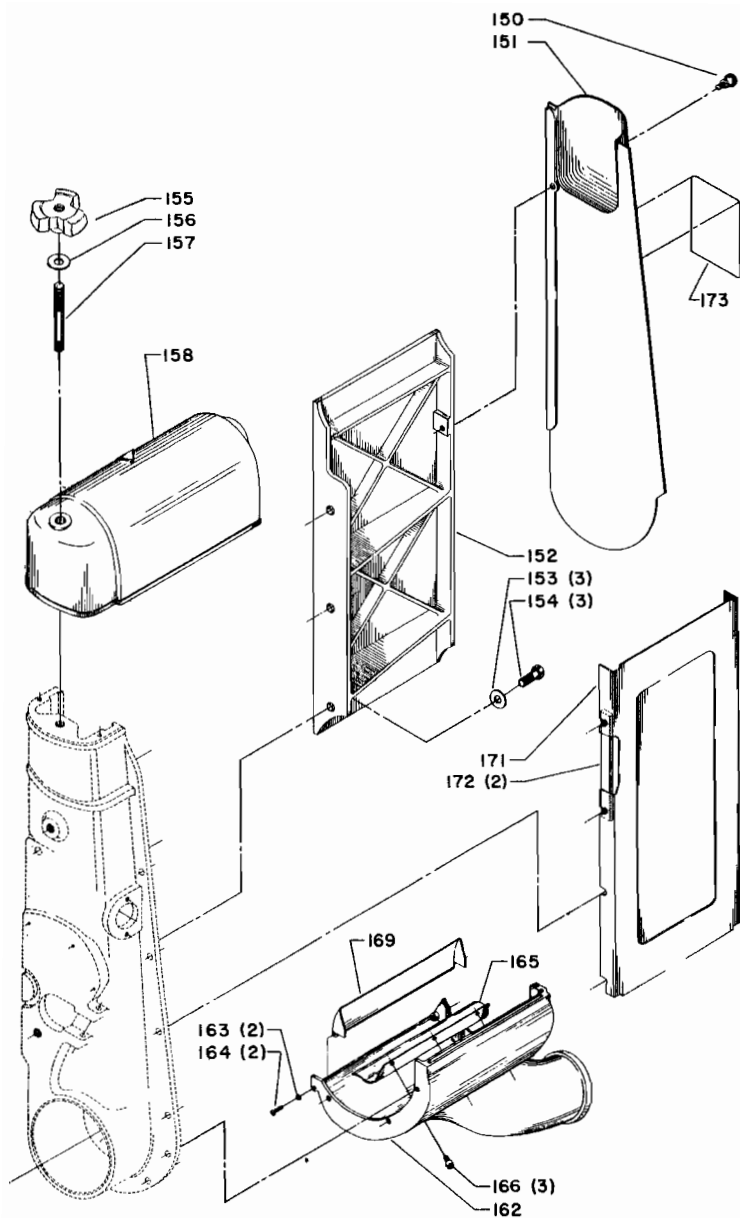


REPLACEMENT PARTS

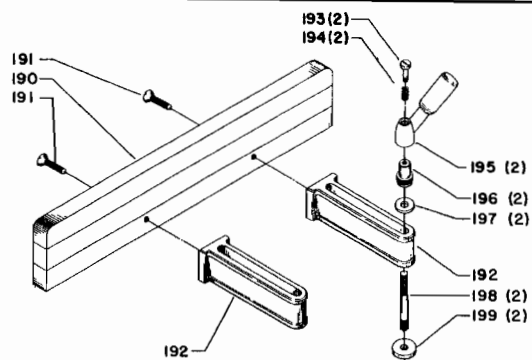
REF. NO.	PART NO.	DESCRIPTION	REF. NO.	PART NO.	DESCRIPTION
*	406-03-362-0001	Idler Drum Brkt., Ass'y., Const of:	70	420-01-354-0003	Belt Guard
1	406-03-014-0001	Idler Drum Brkt.	71	901-03-040-8015	1/4-20 X 1/2" Button Hd. Screw
2	905-01-010-5085	5/16 X 3/4" Roll Pin	71A	904-01-010-1620	5/16" Washer
3	406-03-071-0001	Key	72	41-074	4-1/2" Dia. Arbor Pulley, 3/4" Bore, Incl.:
4	902-01-201-2558	Hex Nut	73	901-04-150-0206	5/16-18 X 5/16" Hex Soc. Set Screw
5	920-04-010-7273	Bearing	74	49-035	"V" Belt, 55 3/8" O.C.
6	406-03-104-0002	Spacer	77	424-03-754-0001	Nameplate
7	406-03-362-0003	Idler Drum (Pair)	78	420-01-005-0002	Base
8	406-03-108-0001	Idler Drum Shaft	79	904-02-020-1704	3/8" Lockwasher
9	406-03-104-0001	Spacer	80	901-01-060-0642	3/8-16 X 1" Hex Hd. Cap Screw
11	902-07-020-7174	Bearing Closure Nut	81	901-03-011-9984	3/8-24 X 1-1/2" Soc. Hd. Cap Screw
15	406-03-067-0001	Belt Tension Lever	82	904-01-010-1606	3/8" Washer
16	406-03-071-0002	Belt Tension Lever Pin	83	901-01-060-0688	3/8-24 X 3/4" Hex Hd. Cap Screw
17	904-07-010-5567	1/2" Fiber Washer	84	901-04-020-8670	7/16-14 X 3" Sq. Hd. Set Screw
18	406-03-138-0003	Knob	85	902-01-201-2579	7/16-14 Hex Nut
19	406-03-412-0007	Belt Adj. Screw Ass'y.	90	416-02-054-0001	Upper Guard
20	406-03-049-0002	Frame	91	901-04-121-3603	#8-32 X 5/16" Slotted Set Screw
21	951-02-010-7822	Tilting Scale	92	901-03-010-0229	1/4-20 x 1/2" Soc Hd Cap Scr
22	901-06-450-2250	#4 X 3/16" Drive Screw	93	416-02-054-0002	Lower Guard
23	901-03-010-0229	1/4-20 X 1/2" Soc Hd Cap Scr	94	901-07-261-3212	Stud
24	905-01-013-1044	7/32 X 1-3/4" Roll Pin	100	416-02-327-0002	Clamp w/Pins
25	418-03-088-0001	Stop Lock	101	420-01-075-0001	Pointer
*	31-401	Tilting Table Ass'y., Const. of:	102	901-02-010-0502	1/4-20 X 1/4" Rd. Hd. Screw
27	406-03-091-0002	Tilting Table	103	406-03-138-0004	Knob
27A	406-03-137-0002	Nameplate	104	928-01-021-4125	Coil Spring
27B	901-06-450-2250	#4 x 3/16" Drive Screw	105	904-01-031-2925	7/16" Washer
28	406-03-395-0001	Trunnion, Incl.:	*	416-02-395-0001	Trunnion Ass'y., Const. of:
29	418-03-055-0001	Guide	106	416-02-095-0001	Trunnion
30	901-03-012-2144	#10-32 X 1/4" Soc Hd Cap Scr	107	951-02-010-7820	Tilting Scale
31	904-01-010-1609	3/16" Washer	108	901-06-450-2250	#4 X 3/16" Drive Screw
32	951-01-010-7802	Pointer	109	904-01-010-1603	3/16" Washer
33	901-04-193-1064	1/4-28 X 1" Hex Soc. Set Screw	110	901-01-060-0612	1/4-20 X 5/8" Hex Hd. Cap Screw
35	1231522	5/32 X 1/2" Headed Pin	111	31-034	Disk Ass'y., Incl.:
36	901-01-060-0688	3/8-24 X 3/4" Hex Hd. Cap Screw	112	901-03-030-0761	1/4-20 X 1/2" Hex Soc. Flat Hd. Screw
37	406-03-122-0002	Compression Spring	113	901-04-190-0201	5/16-18 X 5/16" Hex Soc. Set Screw
38	406-03-112-0003	Special Screw	114	416-02-091-0001	Table
39	901-07-261-3207	7/16-14 X 2-13/16" Stud	117	416-02-095-0001	Trunnion
40	904-01-010-1606	3/8" Washer	118	904-01-010-1603	3/16" Washer
41	902-04-030-1408	7/16-14 Serrated Nut	119	901-01-060-0612	1/4-20 X 5/8" Hex Hd. Cap Screw
42	406-03-033-0001	Clamp Handle	122	901-01-060-0645	3/8-16 X 3" Hex Hd. Cap Screw
*	1086998	Screw Ass'y., Const. of:	123	904-01-010-1606	3/8" Washer
45	902-02-010-1304	7/16-14 Sq. Nut	124	400-06-603-0001	Envelope
46	406-03-122-0001	Spring	125	400-06-079-0001	Retainer
47	406-03-031-0001	Cover	126		Abrasive Disc
48	928-01-021-3381	Spring	127		Abrasive Belt
49	1086990	Screw Ass'y., Incl.:			
50	904-10-031-3804	Collar			
51	905-01-010-2704	1/8 X 3/4" Roll Pin			
52	904-07-011-5711	7/16" Fiber Washer	126	31-427	Garnet Disc. (50 Grit) Pkg. of 6
54	406-03-020-0001	Cap	126	31-428	Alum. Oxide Disc. (60 Grit) Pkg. of 6
55	406-03-438-0001	Crank, Incl.:	127	31-142	Garnet Belt (80 Grit)
56	901-04-190-0225	5/16-18 X 1/4" Hex' Soc. Set Screw	127	31-314	Garnet Belt (40 Grit)
57	0919783	#10-32 X 7/8" Fil. Hd. Screw	127	31-404	Alum. Oxide Belt (100 Grit)
58	902-01-201-2560	Drive Shaft Nut	127	31-405	Alum. Oxide Belt (50 Grit)
59	406-01-362-0006	Drive Drum (Pair)	**	49-503	Disc Adhesive
60	406-03-079-0001	Bearing Retainer			
61	406-03-104-0003	Spacer Collar			
62	920-04-020-5360	Bearing			
63	406-03-027-0001	Clamp Ring	140	41-033	2-3/4" Dia. Motor Pulley, 5/8" Bore Incl.:
64	406-03-012-0001	Bearing Housing	141	901-04-150-0206	5/16-18 X 5/16" Hex Soc. Set Screw
65	901-01-060-0639	7/16-14 X 5-1/2" Hex Hd. Cap Screw			
66	420-01-106-0003	Drive Shaft	*		NOT SHOWN ASSEMBLED
67	927-03-010-2656	Key	**		NOT SHOWN
68	920-04-020-5348	Bearing			
69	902-07-030-7171	Bearing Nut			

ACCESSORY BELTS AND DISCS

INCLUDED WITH STAND AND ELECTRICALS



BACKSTOP



FENCE

REPLACEMENT PARTS

REF. NO.	PART NO.	DESCRIPTION	REF. NO.	PART NO.	DESCRIPTION
150	901-04-340-7605	Special Thumb Screw			
151	406-03-054-0015	Side Guard			
152	406-03-091-0001	Platen			
153	904-01-010-1605	5/16" Washer			
154	901-01-060-0640	3/8-16 X 3/4" Hex Hd. Cap Screw			
155	406-03-138-0004	Knob			
156	904-01-031-2925	7/16" Washer			
157	901-07-261-3207	Stud			
158	406-03-054-0014	Idler Drum Guard			
162	406-03-054-0013	Drive Drum Guard			
163	904-02-010-1726	#8 Lockwasher			
164	901-02-010-0553	#6-32 X 1/2" Rd. Hd. Screw			
165	406-03-036-0002	Dust Deflector			
166	901-03-010-3318	#10-32 X 3/8" Soc Hd Cap Scr			
169	406-03-036-0001	Deflector Plate Guard			
171	406-03-054-0004	Bottom Guard			
172	406-03-004-0001	Clamp Bar			
173	406-00-752-0001	Warning Decal			
					ACCESSORIES - NOT FURNISHED WITH BASIC MACHINE
			*	31-403	Backstop Assembly, Const. of:
			175	406-03-088-0001	Backstop
			176	406-03-014-0004	Link for Backstop
			177	904-10-031-2097	Special Washer
			178	901-09-070-6124	Split Clamp Screw
			179	901-07-261-3207	7/16-14 X 2-13/16" Stud
			180	904-10-031-2097	Special Washer
			181	432-01-027-0004	7/16-14 Serrated Nut
			182	406-03-033-0001	Clamp Handle
			183	406-03-122-0002	Compression Spring
			184	406-03-112-0003	Special Screw
			*	31-014	Fence Ass'y., Const. of:
			190	406-03-043-0001	Fence
			191	901-02-030-0409	5/16-18 X 1-1/4" Flat Hd. Screw
			192	406-03-014-0002	Fence Bracket
			193	406-03-112-0003	Special Screw
			194	406-03-122-0002	Compression Spring
			195	406-03-033-0001	Clamp Handle
			196	902-04-030-1408	7/16-14 Serrated Nut
			197	904-10-031-2097	Special Washer
			198	901-07-261-3207	7/16-14 X 2-13/16" Stud
			199	904-10-031-3803	Special Washer
			**	34-568	Clamp Attach. For Miter Gage
			**	34-895	Miter Gage
			*		NOT SHOWN ASSEMBLED
			**		NOT SHOWN

REPLACEMENT PARTS

REF. NO.	PART NO.	DESCRIPTION
*	50-114F	Stand, Const of:
225	31-12F	Riser Block Assy, Incl:
226	901-01-060-0645	3/8-16 x 3" Hex Hd Cap Screw
227	904-01-010-1606	3/8" Washer
228	406-03-137-0003	Nameplate
229	1087794	Rivit
*	50-122F	Basic Stand. Const. of:
230	406-03-318-0001	Cabinet Assy
231	438-01-011-0051	Bushing Insulator
232	901-01-060-0607	5/16-18 x 3/4" Hex Hd Cap Screw
233	904-02-010-1703	5/16" Lockwasher
234	902-01-010-1300	5/16-18 Hex Nut
235	901-01-060-0607	5/16-18 x 3/4" Hex Hd Cap Screw
236	904-01-010-1620	5/16" Washer
237	438-01-011-0020	Insulator
238	436-01-305-0001	Sub Base
239	904-02-010-1703	5/16" Lockwasher
240	902-01-010-1300	5/16-18 Hex Nut
241	436-01-123-0002	Side Panel
242	901-06-423-1170	#10-32 x 5/8" Rd Hd Self Tap Screw
243	436-01-004-0006	Motor Bracket
244	904-01-010-1620	5/16" Washer
245	901-03-010-0762	5/16-18 x 5/8" Soc Hd Cap Screw
246	904-02-010-1703	5/16" Lockwasher
**	901-11-020-0834	(4) 5/16-18 x 3/4" Carriage Bolt (To Mount Motor To Carriage Bracket)
**	904-01-010-1620	(4) 5/16" Washer (To Mount Motor To Motor Bracket)
**	902-01-010-1300	(4) 5/16-18 Hex Nut (To Mount Motor To Motor Bracket)
**	904-02-010-1703	(4) 5/16" Lockwasher (To Mount Motor to Motor Bracket)

* NOT SHOWN ASSEMBLED
** NOT SHOWN

1864G

