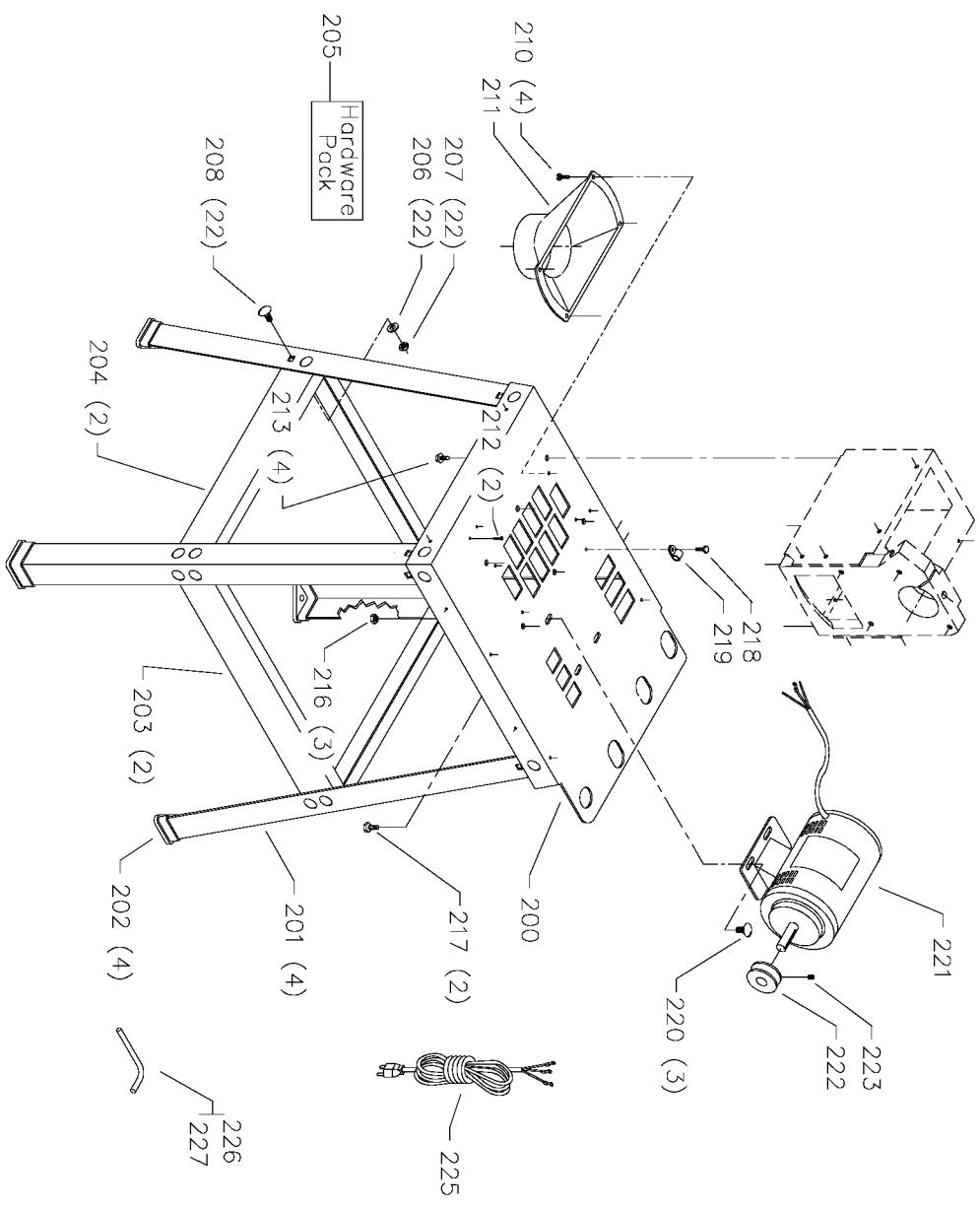
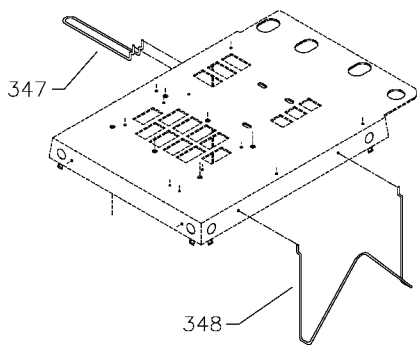
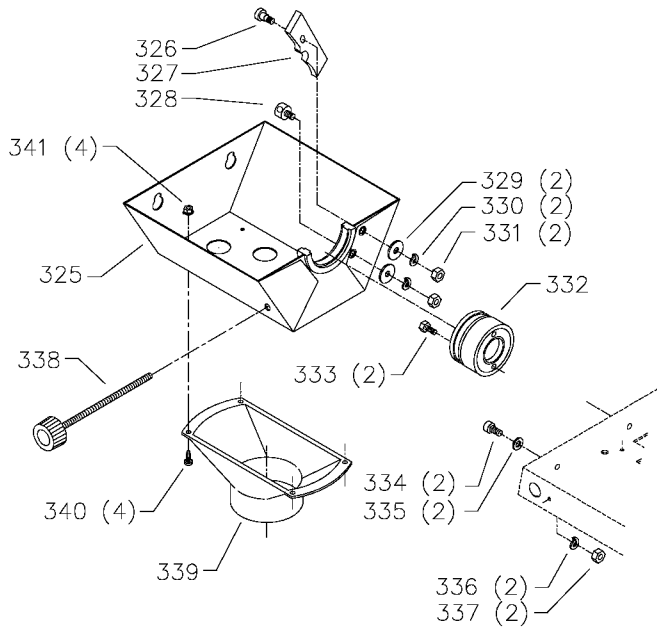
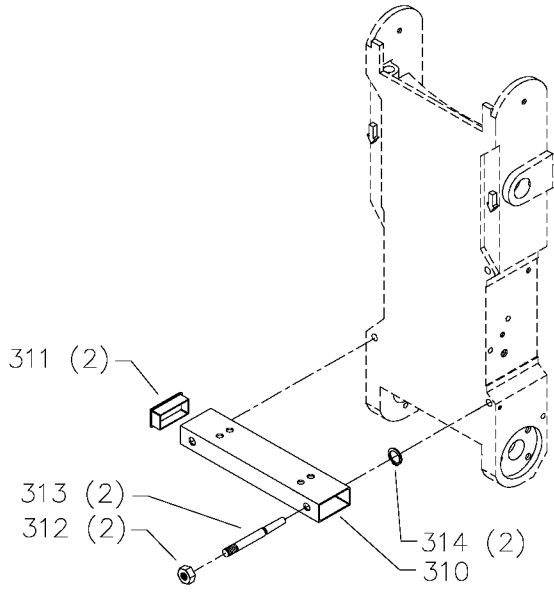
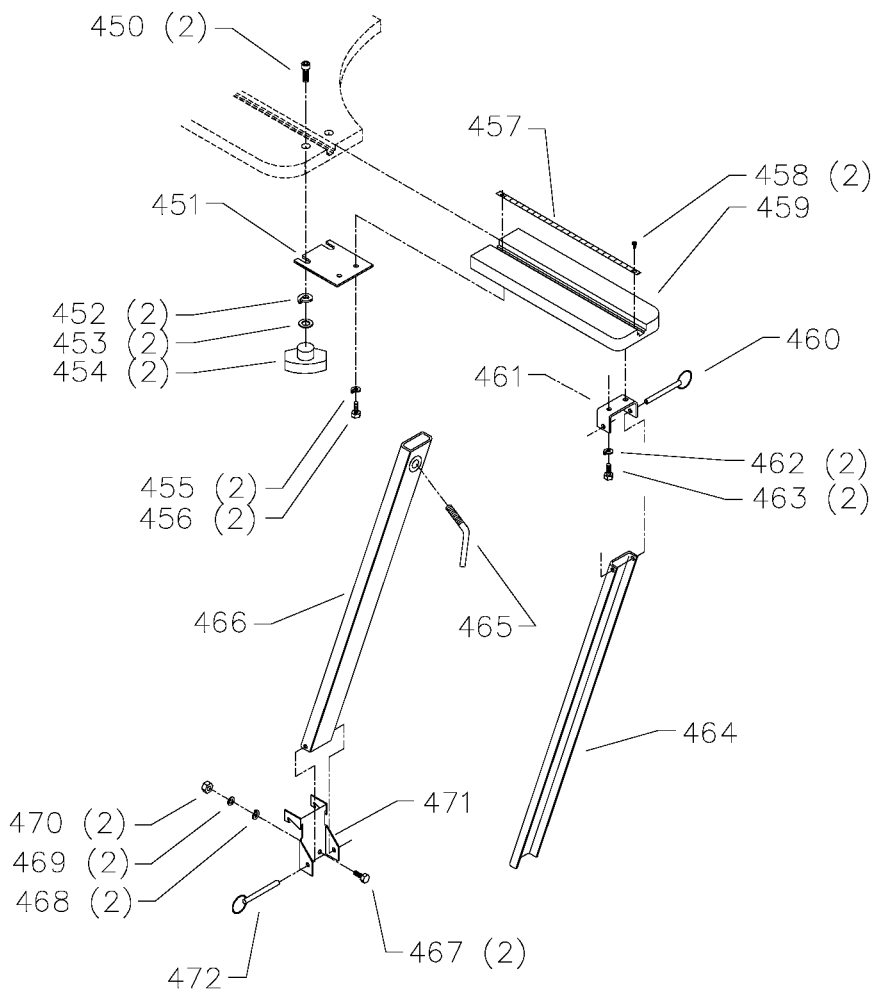
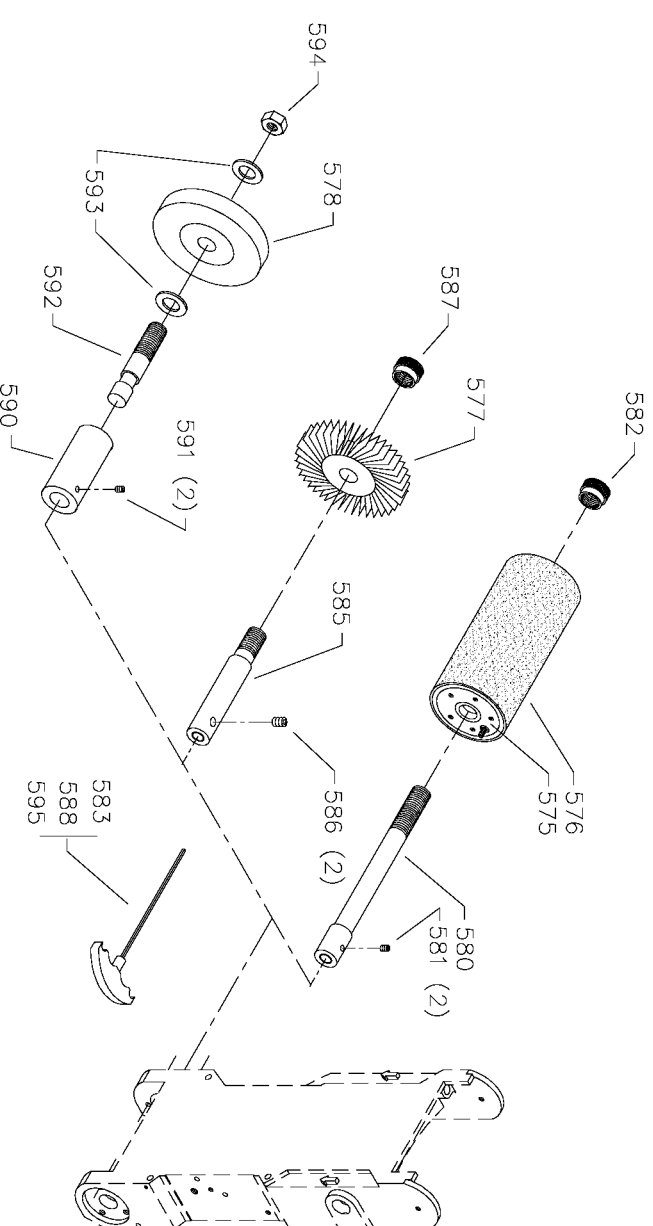


EARLY MODELS ONLY









Parts List for 31-278 Type 1

| Item Number | Part Number | Description | Qty Required |
|-------------|---------------|---------------------|--------------|
| 1 | 000000-00 | No Longer Available | 1 |
| 2 | 000000-00 | No Longer Available | 2 |
| 3 | 000000-00 | No Longer Available | 2 |
| 4 | 1086894S | BEARING | 2 |
| 5 | 406123620003 | UPPER IDLER ASSY | 1 |
| 5 | 406123620002 | UPPER IDLER | 1 |
| 6 | 000000-00 | No Longer Available | 1 |
| 7 | 904150120293 | RING | 2 |
| 8 | 905010106715S | ROLL PIN | 2 |
| 9 | 000000-00 | No Longer Available | 2 |
| 10 | 902012131635 | LOCK NUT | 1 |
| 11 | 928010231644 | SPRING | 1 |
| 12 | 434080670002 | LEVER | 1 |
| 13 | 406121050001 | SLEEVE | 1 |
| 14 | 905050402108 | COTTER PIN | 1 |
| 15 | 000000-00 | No Longer Available | 1 |
| 16 | 901041931314 | SET SCREW | 2 |
| 17 | 406120740001 | BRASS PLUG | 2 |
| 18 | 000000-00 | No Longer Available | 1 |
| 19 | 000000-00 | No Longer Available | 1 |
| 20 | 901030300761 | SCREW | 1 |
| 21 | 000000-00 | No Longer Available | 2 |
| 22 | 928050131693 | SPRING WASHER | 1 |
| 23 | 904010331306 | WASHER | 1 |
| 24 | 000000-00 | No Longer Available | 1 |
| 25 | 904150620142 | RETAINING RING | 1 |
| 26 | 000000-00 | No Longer Available | 1 |

Parts List for 31-278 Type 1

| Item Number | Part Number | Description | Qty Required |
|-------------|---------------|---------------------|--------------|
| 27 | 406031380003S | KNOB | 1 |
| 28 | 901030431191 | CAP SCREW | 1 |
| 29 | 908250131439 | O-RING | 1 |
| 30 | 000000-00 | No Longer Available | 1 |
| 31 | 901010631656S | SCREW | 1 |
| 32 | 902011201203S | HEX NUT | 1 |
| 33 | 000000-00 | No Longer Available | 1 |
| 34 | 901030408015S | CAP SCREW | 2 |
| 35 | 406120310006 | COVER | 1 |
| 36 | 1086894S | BEARING | 1 |
| 37 | 406124060001 | LOWER IDLER SHAFT | 1 |
| 38 | 904150120293 | RING | 1 |
| 39 | 927030102695 | KEY | 1 |
| 40 | 406123620001 | LOWER IDLER | 1 |
| 41 | 901041500232S | SET SCREW | 2 |
| 42 | 904151020282 | RETAINING RING | 1 |
| 42 | 1086894S | BEARING | 1 |
| 43 | 000000-00 | No Longer Available | 1 |
| 44 | 904010101620S | WASHER | 3 |
| 45 | 904020101703S | LOCK WASHER | 3 |
| 46 | 901010605770 | CAP SCREW | 3 |
| 47 | 000000-00 | No Longer Available | 1 |
| 48 | 000000-00 | No Longer Available | 1 |
| 50 | 000000-00 | No Longer Available | 1 |
| 51 | 406121110002 | STUD | 1 |
| 52 | 000000-00 | No Longer Available | 1 |
| 53 | 901030100770 | CAP SCREW | 2 |

Parts List for 31-278 Type 1

| Item Number | Part Number | Description | Qty Required |
|-------------|---------------|---------------------|--------------|
| 54 | 000000-00 | No Longer Available | 1 |
| 55 | 406121320002 | SCALE | 1 |
| 56 | 491956-00 | WASHER | 1 |
| 57 | 902010401026S | HEX NUT | 1 |
| 58 | 434080670002 | LEVER | 1 |
| 59 | 928010231644 | SPRING | 1 |
| 60 | 902012131635 | LOCK NUT | 1 |
| 61 | 000000-00 | No Longer Available | 1 |
| 62 | 000000-00 | No Longer Available | 4 |
| 64 | 000000-00 | No Longer Available | 4 |
| 65 | 000000-00 | No Longer Available | 1 |
| 70 | 31-405 | 6X48 A.O. BELT 50G | 1 |
| 70 | 31-406 | 6X48 BELT 120 GRIT | 1 |
| 70 | 31-402 | 6X48 A.O. BELT 80G | 1 |
| 70 | 31-404 | 6X48 AO BELT 100G | 1 |
| 100 | 000000-00 | No Longer Available | 1 |
| 101 | 000000-00 | No Longer Available | 1 |
| 102 | 901064231170S | HEX HD SCREW | 2 |
| 103 | 400064160001 | GASKET | 1 |
| 104 | 901064431806S | SCREW | 4 |
| 104 | 901064231170S | HEX HD SCREW | 1 |
| 105 | 000000-00 | No Longer Available | 1 |
| 106 | 000000-00 | No Longer Available | 1 |
| 107 | 000000-00 | No Longer Available | 1 |
| 108 | 406123360001 | DEFLECTOR PLATE | 1 |
| 109 | 000000-00 | No Longer Available | 1 |
| 110 | 000000-00 | No Longer Available | 2 |

Parts List for 31-278 Type 1

| Item Number | Part Number | Description | Qty Required |
|-------------|---------------|---------------------|--------------|
| 111 | 904010101614S | STEEL WASHER | 2 |
| 112 | 49-330 | SWITCH | 1 |
| 113 | 424010140002 | SWITCH BRACKET | 1 |
| 114 | 901010600607S | SCREW | 2 |
| 115 | 000000-00 | No Longer Available | 1 |
| 116 | 901010600607S | SCREW | 2 |
| 117 | 000000-00 | No Longer Available | 1 |
| 118 | 406121110004 | STUD | 1 |
| 119 | 491956-00 | WASHER | 1 |
| 120 | 902010401026S | HEX NUT | 1 |
| 121 | 434080670002 | LEVER | 1 |
| 122 | 928010231644 | SPRING | 1 |
| 123 | 902012131635 | LOCK NUT | 1 |
| 124 | 000000-00 | No Longer Available | 1 |
| 125 | 000000-00 | No Longer Available | 1 |
| 126 | 901010631656S | SCREW | 2 |
| 127 | 904010317712S | WASHER | 2 |
| 128 | 904080231665 | RUBBER WASHER | 2 |
| 129 | 000000-00 | No Longer Available | 1 |
| 130 | 000000-00 | No Longer Available | 1 |
| 131 | 904080231665 | RUBBER WASHER | 1 |
| 132 | 000000-00 | No Longer Available | 1 |
| 133 | 000000-00 | No Longer Available | 1 |
| 134 | 901030300761 | SCREW | 1 |
| 135 | 000000-00 | No Longer Available | 4 |
| 136 | 901010600617 | CAP SCREW | 1 |
| 137 | 491956-00 | WASHER | 1 |

Parts List for 31-278 Type 1

| Item Number | Part Number | Description | Qty Required |
|-------------|---------------|----------------------|--------------|
| 138 | 000000-00 | No Longer Available | 1 |
| 139 | 901030100779S | CAP SCREW | 2 |
| 140 | 000000-00 | No Longer Available | 1 |
| 141 | 901030431663 | SCREW | 1 |
| 142 | 901030108024 | CAP SCREW | 2 |
| 143 | 49-271 | BELT | 1 |
| 144 | 000000-00 | No Longer Available | 1 |
| 145 | 901041900207S | SET SCREW | 2 |
| 146 | 31-423 | 2-12IN PSA DISC 120G | 1 |
| 146 | 31-422 | 2-12IN PSA DISC 80G | 1 |
| 146 | 31-421 | 2-12IN PSA DISC 50G | 1 |
| 147 | 000000-00 | No Longer Available | 1 |
| 148 | 901030431663 | SCREW | 3 |
| 149 | 406123910006 | TABLE | 1 |
| 150 | 901061431327 | SCREW | 2 |
| 151 | 406121320002 | SCALE | 1 |
| 152 | 000000-00 | No Longer Available | 1 |
| 153 | 906000002438 | 1/8 PIPE PLUG | 1 |
| 153 | 901041409406 | SCREW | 1 |
| 154 | 955030100003 | HEX WRENCH | 1 |
| 155 | 406120710001 | GUIDE PIN | 1 |
| 156 | 901030100750 | CAP SCREW | 4 |
| 157 | 406121110002 | STUD | 1 |
| 158 | 406123950001 | L.H. TRUNION | 1 |
| 159 | 000000-00 | No Longer Available | 1 |
| 160 | 491956-00 | WASHER | 1 |
| 161 | 902010401026S | HEX NUT | 1 |

Parts List for 31-278 Type 1

| Item Number | Part Number | Description | Qty Required |
|-------------|---------------|---------------------|--------------|
| 162 | 434080670002 | LEVER | 1 |
| 163 | 928010231644 | SPRING | 1 |
| 164 | 902012131635 | LOCK NUT | 1 |
| 175 | 000000-00 | No Longer Available | 1 |
| 176 | 901010600607S | SCREW | 6 |
| 200 | 406123050004S | SHELF | 1 |
| 200 | 000000-00 | No Longer Available | 1 |
| 201 | 427990660044S | LEG | 4 |
| 202 | 427990480001 | FOOT | 4 |
| 203 | 000000-00 | No Longer Available | 2 |
| 204 | 427990140094S | TIE BAR | 2 |
| 205 | 000000-00 | No Longer Available | 1 |
| 206 | 904010131855 | WASHER | 22 |
| 207 | 902010131859 | NUT | 22 |
| 208 | 901110231476S | BOLT | 22 |
| 210 | 901064231170S | HEX HD SCREW | 4 |
| 211 | 406120260001S | DUST CHUTE | 1 |
| 212 | 901051631126S | SCREW | 1 |
| 213 | 901010600607S | SCREW | 4 |
| 216 | 902015031514 | FLANGED HEX NUT | 3 |
| 217 | 901010600607S | SCREW | 2 |
| 218 | 901064231170S | HEX HD SCREW | 1 |
| 219 | 438010040015S | CABLE CLAMP 5/16 | 1 |
| 220 | 901110231476S | BOLT | 3 |
| 221 | 000000-00 | No Longer Available | 1 |
| 222 | 5140051-58 | PULLEY | 1 |
| 223 | 901041500206 | SET SCREW | 1 |

Parts List for 31-278 Type 1

| Item Number | Part Number | Description | Qty Required |
|-------------|---------------|---------------------|--------------|
| 225 | 438013020668 | CORD SET | 1 |
| 226 | 955030202167 | HEX WRENCH | 1 |
| 227 | 955030100006 | 1/4ALLEN WRENCH | 1 |
| 310 | 000000-00 | No Longer Available | 1 |
| 311 | 436020200001S | CAP 1 X 2 | 2 |
| 312 | 902012131635 | LOCK NUT | 2 |
| 313 | 406120710002 | TAPERED PIN | 2 |
| 314 | 000000-00 | No Longer Available | 2 |
| 325 | 000000-00 | No Longer Available | 1 |
| 325 | 000000-00 | No Longer Available | 1 |
| 326 | 000000-00 | No Longer Available | 1 |
| 327 | 000000-00 | No Longer Available | 1 |
| 328 | 000000-00 | No Longer Available | 1 |
| 329 | 904010312937 | WASHER | 2 |
| 330 | 904020101703S | LOCK WASHER | 2 |
| 331 | 902010101300S | HEX NUT | 2 |
| 332 | 000000-00 | No Longer Available | 1 |
| 333 | 901030103309S | CAP SCREW | 2 |
| 334 | 901110231476S | BOLT | 2 |
| 335 | 904010101620S | WASHER | 2 |
| 336 | 904020101703S | LOCK WASHER | 2 |
| 337 | 902010101300S | HEX NUT | 2 |
| 338 | 000000-00 | No Longer Available | 1 |
| 339 | 406120260001S | DUST CHUTE | 1 |
| 340 | 901024531123S | SCREW | 4 |
| 341 | 902012931513S | KEPS NUT | 4 |
| 347 | 000000-00 | No Longer Available | 1 |

Parts List for 31-278 Type 1

| Item Number | Part Number | Description | Qty Required |
|-------------|---------------|---------------------|--------------|
| 347 | 000000-00 | No Longer Available | 1 |
| 348 | 000000-00 | No Longer Available | 1 |
| 348 | 000000-00 | No Longer Available | 1 |
| 450 | 901030100750 | CAP SCREW | 2 |
| 451 | 000000-00 | No Longer Available | 1 |
| 452 | 904020101703S | LOCK WASHER | 2 |
| 453 | 904010312937 | WASHER | 2 |
| 454 | 424120600005S | KNOB | 2 |
| 455 | 491957-00 | LOCK WASHER | 2 |
| 456 | 901010600611S | CAP SCREW | 2 |
| 457 | 000000-00 | No Longer Available | 1 |
| 458 | 901061431327 | SCREW | 2 |
| 459 | 000000-00 | No Longer Available | 1 |
| 459 | 000000-00 | No Longer Available | 1 |
| 460 | 406120710004 | PULL PIN | 1 |
| 461 | 000000-00 | No Longer Available | 1 |
| 462 | 491957-00 | LOCK WASHER | 2 |
| 463 | 901010600611S | CAP SCREW | 2 |
| 464 | 000000-00 | No Longer Available | 1 |
| 465 | 436071110002 | HANDLE | 1 |
| 466 | 000000-00 | No Longer Available | 1 |
| 467 | 901010600611S | CAP SCREW | 2 |
| 468 | 904010317712S | WASHER | 2 |
| 469 | 491957-00 | LOCK WASHER | 2 |
| 470 | 489026-00 | HEX NUT | 2 |
| 471 | 000000-00 | No Longer Available | 1 |
| 472 | 406120710004 | PULL PIN | 1 |

Parts List for 31-278 Type 1

| Item Number | Part Number | Description | Qty Required |
|-------------|---------------|---------------------|--------------|
| 575 | 000000-00 | No Longer Available | 1 |
| 575 | 000000-00 | No Longer Available | 1 |
| 577 | 000000-00 | No Longer Available | 1 |
| 577 | 000000-00 | No Longer Available | 1 |
| 580 | 000000-00 | No Longer Available | 1 |
| 581 | 1350492S | SET SCREW | 2 |
| 582 | 000000-00 | No Longer Available | 1 |
| 583 | 422321010001 | T-HANDLE WRENCH | 1 |
| 585 | 000000-00 | No Longer Available | 1 |
| 586 | 1350492S | SET SCREW | 2 |
| 587 | 000000-00 | No Longer Available | 1 |
| 588 | 422321010001 | T-HANDLE WRENCH | 1 |
| 590 | 000000-00 | No Longer Available | 1 |
| 591 | 1350492S | SET SCREW | 2 |
| 592 | 000000-00 | No Longer Available | 1 |
| 593 | 000000-00 | No Longer Available | 1 |
| 594 | 902010201227S | HEX JAM NUT | 1 |
| 595 | 422321010001 | T-HANDLE WRENCH | 1 |
| 600 | 000000-00 | No Longer Available | 1 |