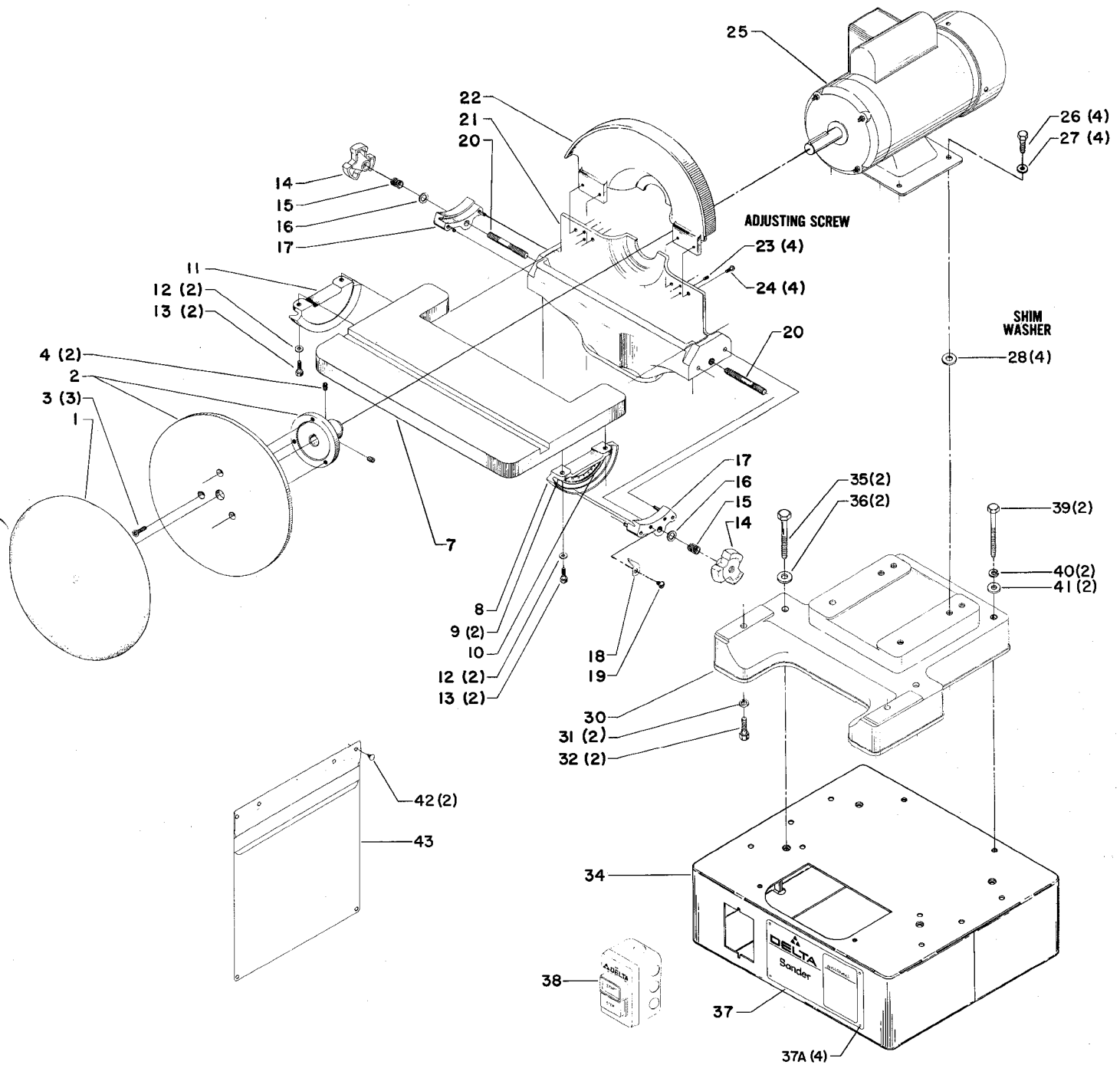
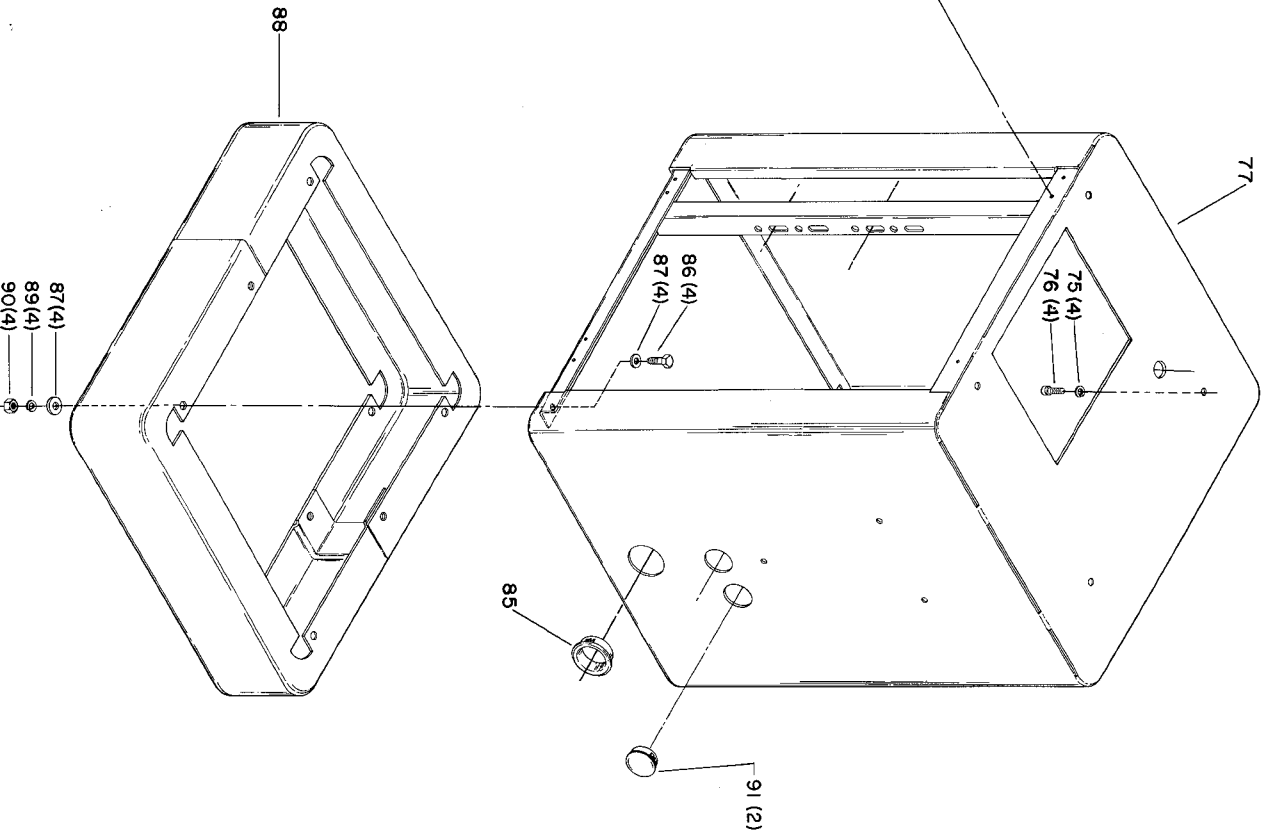
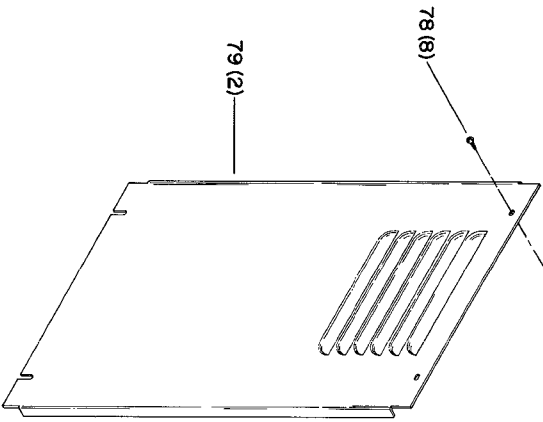




31-122, 31-125, 31-126
31-131, 31-132
12" DISC FINISHING MACHINE

AFM-5B
416-02-651-0004
Revised 4-28-88





Parts List for 31-122 Type 2

Item Number	Part Number	Description	Qty Required
2	000000-00	No Longer Available	1
3	901030300761	SCREW	3
4	901041500206	SET SCREW	2
7	909075	DISK TABLE	1
8	000000-00	No Longer Available	1
9	901064502250S	DRIVE SCREW	2
10	951020107820	TILT SCALE	1
11	000000-00	No Longer Available	1
12	904010101614S	STEEL WASHER	4
13	901010600612S	CAP SCREW	4
14	000000-00	No Longer Available	1
15	928010214125	SPRING	1
16	904010312925	SPEC WASHER	1
17	910984	CLAMP	1
18	422040755001S	POINTER	1
19	901020100502	MACHINE SCREW	1
20	420011110003	STUD	1
21	416020540002	TABLE SUPPORT	1
22	000000-00	No Longer Available	1
23	901041509428S	SET SCREW	4
24	000000-00	No Longer Available	4
25	82-041	MTR 1PH 1HP DP17	1
26	901010600607S	SCREW	4
27	904010101604S	STEEL WASHER	4
28	904100312097S	SPECIAL WASHER	4
30	416020050003	BASE	1
31	904020201704S	LOCK WASHER	2

Parts List for 31-122 Type 2

Item Number	Part Number	Description	Qty Required
32	901010600642	CAP SCREW	2
35	000000-00	No Longer Available	2
36	904010101606S	STEEL WASHER	2
37	000000-00	No Longer Available	1
37	1087794	RIVET	4
38	000000-00	No Longer Available	1
38	52-348	MAG STAR-STP SWI	1
39	901010603118	CAP SCREW	2
40	904020101703S	LOCK WASHER	2
41	491956-00	WASHER	2
42	400060790001	RETAINER	2
43	400066030003S	ENVELOPE	1
75	904020101703S	LOCK WASHER	4
76	901030100762	CAP SCREW	4
77	406033180002	CABINET	1
78	901064231170S	HEX HD SCREW	8
79	436011230008S	PANEL	2
85	438010110020	INSULATOR	1
86	901010600607S	SCREW	4
87	904010101620S	WASHER	8
88	436013050001S	SUB BASE	1
89	904020101703S	LOCK WASHER	4
90	902010101300S	HEX NUT	4
91	438010110065	PLUG	2
92	438010110051	BUSHING INSULATOR	1