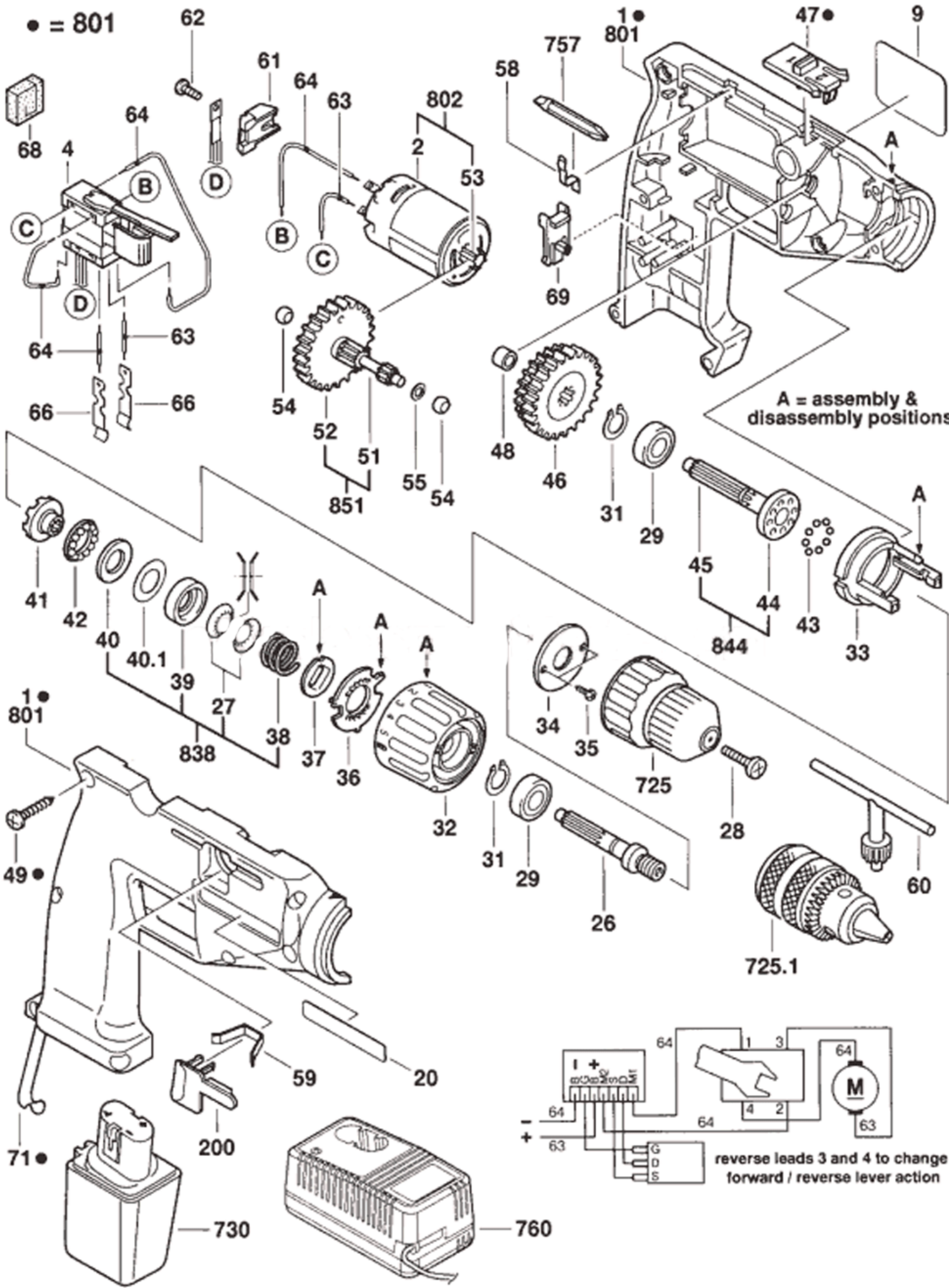


● = 801



A = assembly & disassembly positions

reverse leads 3 and 4 to change forward / reverse lever action

