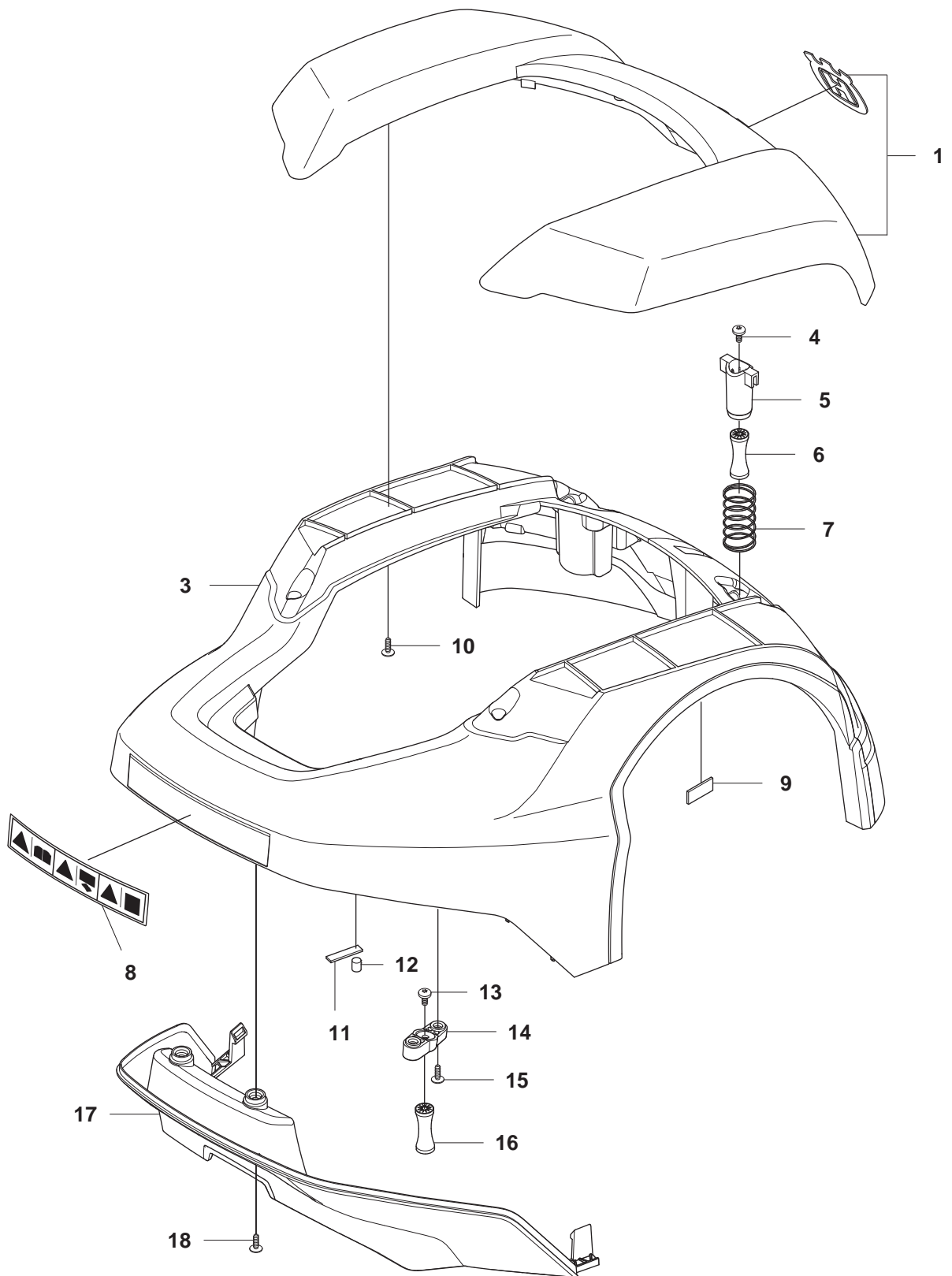


A AUTOMOWER 305
COVER

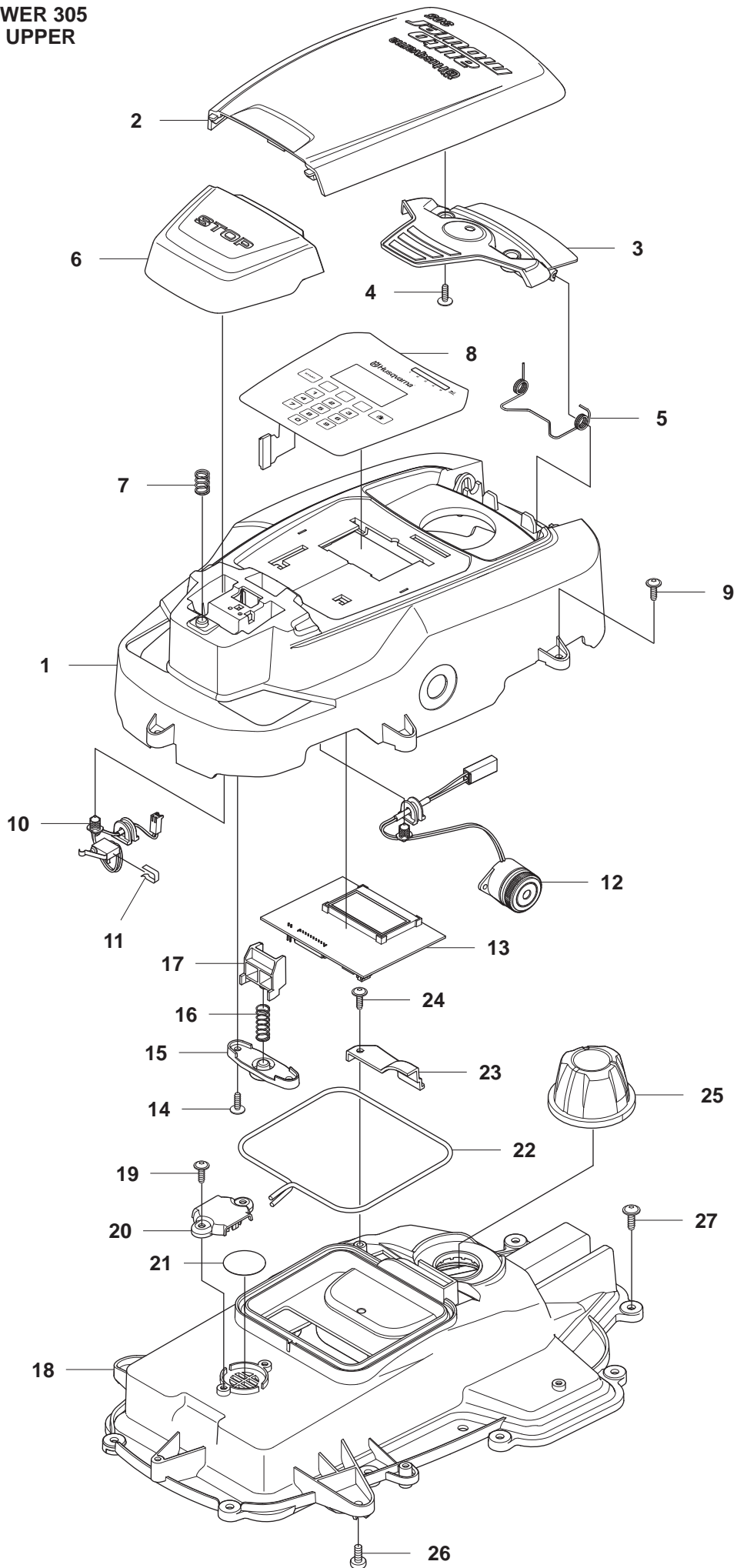
19



PAGE A AUTOMOWER 305 COVER

| Position | Article | Quantity | Notes | Kit |
|-----------------|----------------|-----------------|----------------------------|------------|
| 1 | 577 73 47-01 | 1 | Bumper front, WHITE | |
| | 577 73 47-02 | 1 | Bumper front, GREY | |
| 3 | 577 74 72-02 | 1 | Main body kit | |
| 4 | 576 21 39-01 | 2 | Screw M5x12 | |
| 5 | 574 46 90-02 | 2 | Bracket, lift sensor | |
| 6 | 574 46 91-02 | 2 | Rubber damper | |
| 7 | 574 48 51-02 | 2 | Spring, lift sensor | |
| 8 | 576 24 00-01 | 1 | Warning label | 3 |
| 9 | 576 18 32-01 | 1 | Magnet, lift sensor | 3 |
| 10 | 575 54 33-14 | 7 | Screw, grey (14mm) | |
| 11 | 576 03 01-01 | 1 | Plate, collision sensor | 3 |
| 12 | 576 18 33-01 | 1 | Magnet, collision sensor | 3 |
| 13 | 576 21 39-01 | 2 | Screw M5x12 | |
| 14 | 575 41 60-02 | 2 | Support clamp | |
| 15 | 575 54 33-14 | 4 | Screw, grey (14mm) | |
| 16 | 574 46 91-02 | 2 | Rubber damper | |
| 17 | 574 46 52-01 | 1 | Bumper, rear | |
| 18 | 575 54 33-14 | 2 | Screw, grey (14mm) | |
| 19 | 577 95 53-01 | 1 | Cover, Kit Complete, White | |
| | 577 95 53-02 | 1 | Cover, Kit Complete, Grey | |

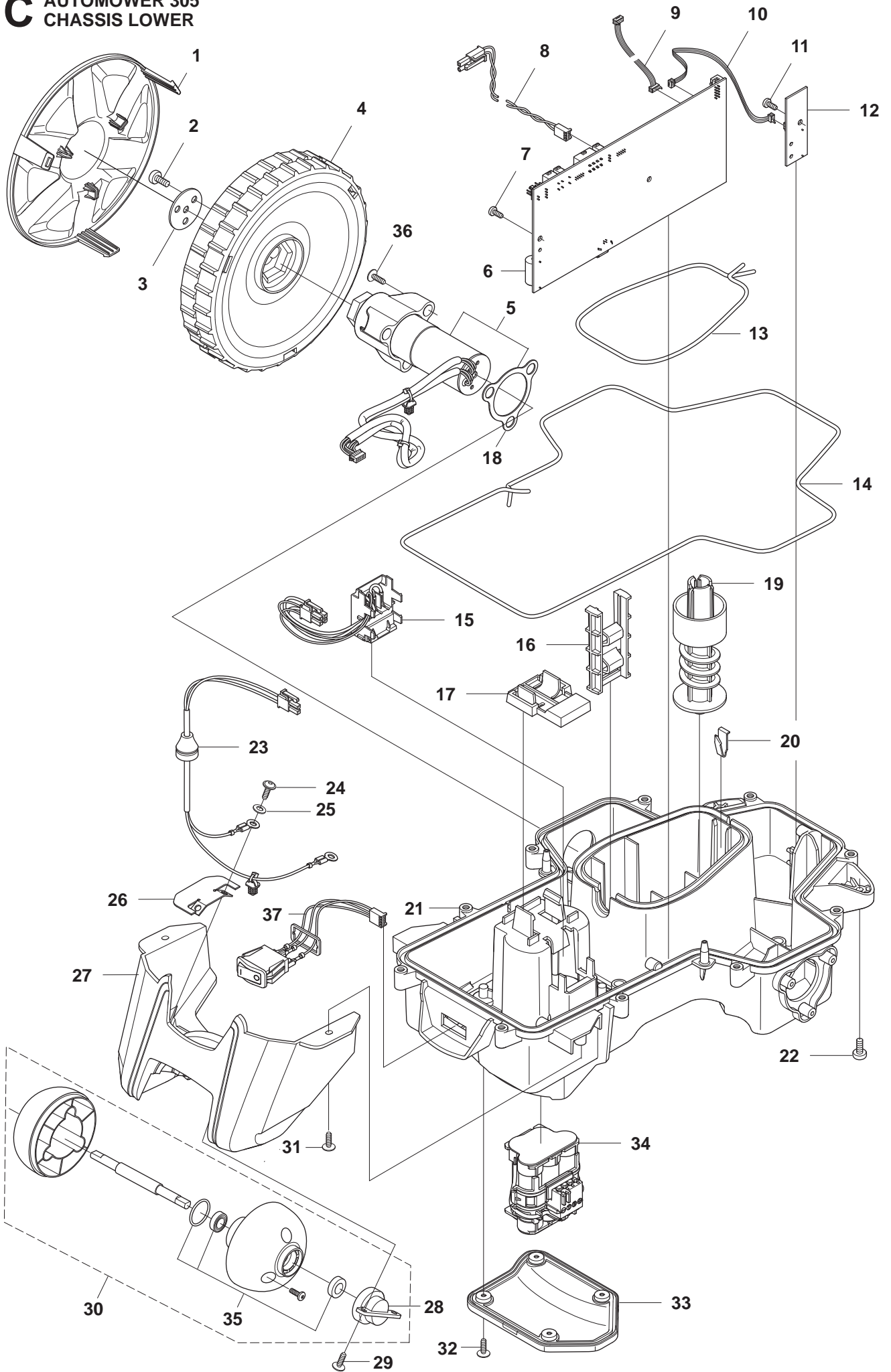
B AUTOMOWER 305
CHASSIS UPPER



PAGE B AUTOMOWER 305 CHASSIS UPPER

| Position | Article | Quantity | Notes | Kit |
|-----------------|----------------|-----------------|--|------------|
| 1 | 577 75 28-02 | 1 | Display cover kit incl. sealing & keypad | |
| 2 | 574 37 81-01 | 1 | Cover, height adjustment, WHITE | |
| | 574 37 81-02 | 1 | Cover, height adjustment, GREY | |
| 3 | 574 37 79-01 | 1 | Hinge, height adjustment lid | |
| 4 | 575 54 33-14 | 2 | Screw, grey (14mm) | |
| 5 | 576 24 21-01 | 1 | Spring, height adjustment lid | |
| 6 | 574 46 47-01 | 1 | Stop button | |
| 7 | 574 48 70-01 | 1 | Spring, stop button | |
| 8 | 575 77 94-01 | 1 | Keyboard | 1 |
| 9 | 575 54 33-14 | 5 | Screw, grey (14mm) | |
| 10 | 574 48 03-01 | 1 | Micro switch, stop button | |
| 11 | 535 08 98-01 | 1 | Clip, stop button | |
| 12 | 574 47 59-01 | 1 | Buzzer, display cover | |
| 13 | 575 64 01-01 | 1 | Display/MMI, circuit board | |
| 14 | 575 54 33-14 | 2 | Screw, grey (14mm) | |
| 15 | 575 41 58-01 | 1 | Spring holder, stop button | |
| 16 | 576 24 22-01 | 1 | Spring lock, stop button | |
| 17 | 575 40 90-01 | 1 | Lock, stop button | |
| 18 | 577 75 29-01 | 1 | Chassis upper kit incl. sealing & air filter | |
| 19 | 575 54 33-14 | 2 | Screw, grey (14mm) | |
| 20 | 576 69 70-01 | 1 | Cover, air filter | |
| 21 | 577 75 37-01 | 1 | Air filter kit (10 pcs) | |
| 22 | 577 75 36-01 | 1 | Sealing strip kit (10 pcs) | |
| 23 | 576 05 39-01 | 1 | Cover, height indicator | |
| 24 | 575 54 33-14 | 1 | Screw, grey (14mm) | |
| 25 | 579 74 24-01 | 1 | Knob, kit incl lable | |
| 26 | 576 21 39-01 | 2 | Screw | |
| 27 | 574 45 01-01 | 10 | Screw | |

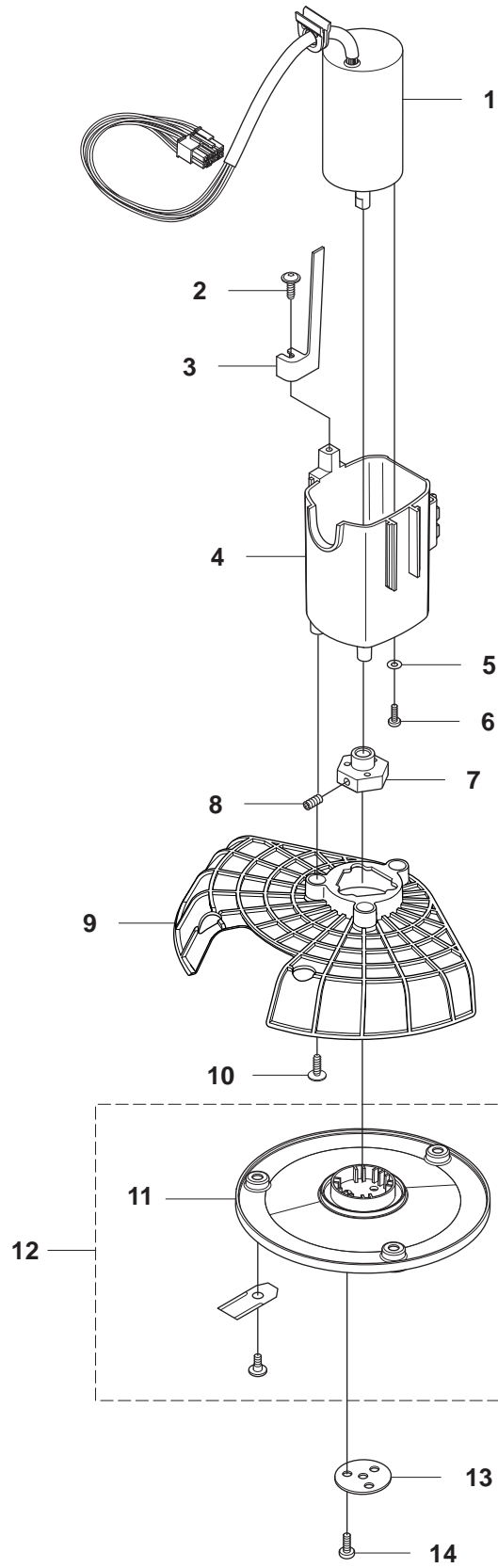
C AUTOMOWER 305
CHASSIS LOWER



PAGE C AUTOMOWER 305 CHASSIS LOWER

| Position | Article | Quantity | Notes | Kit |
|-----------------|----------------|-----------------|---|------------|
| 1 | 575 43 08-01 | 2 | Hub cap, drive wheel | |
| 2 | 576 21 39-02 | 6 | Screw | |
| 3 | 577 09 32-01 | 2 | Washer, drive wheel | |
| 4 | 574 46 51-01 | 2 | Wheel, drive wheel | |
| 5 | 577 83 99-01 | 2 | Wheel motor kit incl. sealing | |
| 6 | 575 64 05-01 | 1 | Main circuit board (MCB) | |
| 7 | 535 13 03-10 | 2 | Screw (10mm) | |
| 8 | 576 22 02-01 | 1 | Loom, buzzer extension | |
| 9 | 574 47 92-01 | 1 | Loom, display | |
| 10 | 574 47 90-01 | 1 | Loom, loop and lift sensor | |
| 11 | 535 13 03-10 | 1 | Screw (10mm) | |
| 12 | 575 64 09-01 | 1 | PCB sensor board | |
| 13 | 577 75 36-01 | 1 | Sealing strip kit (10 pcs) | |
| 14 | 577 84 36-01 | 1 | Sealing strip kit, chassis (10 pcs) | |
| 15 | 574 47 98-01 | 1 | Loom, Li-Ion battery | |
| 16 | 574 50 19-01 | 2 | Guide rail, motor bowl | |
| 17 | 575 40 82-01 | 1 | Lock, battery plug | |
| 18 | 574 37 37-01 | 2 | Sealing/gasket, motor flange | 5 |
| 19 | 574 48 46-01 | 1 | Height adjustment screw | |
| 20 | 577 10 32-01 | 1 | Locking spring | |
| 21 | 577 84 62-01 | 1 | Chassis lower kit, incl sealing | |
| 22 | 576 21 39-01 | 2 | Screw | |
| 23 | 574 47 77-02 | 1 | Loom, charge plate | |
| 24 | 575 54 33-14 | 2 | Screw, grey (14mm) | |
| 25 | 535 08 74-01 | 2 | Washer, vulcanized fiber | |
| 26 | 574 49 00-01 | 2 | Charge plate | |
| 27 | 574 46 72-01 | 1 | Housing, rear wheel | |
| 28 | 577 71 50-01 | 2 | Bearing housing, rear wheel | 30 |
| 29 | 575 54 33-14 | 4 | Screw, grey (14mm) | |
| 30 | 578 27 51-01 | 1 | Rear wheel kit complete | |
| 31 | 575 54 33-14 | 3 | Screw, grey (14mm) | |
| 32 | 574 45 01-01 | 4 | Screw | |
| 33 | 574 46 73-01 | 1 | Cover, battery | |
| 34 | 574 47 68-01 | 1 | Battery, Lithium 18V | |
| 35 | 578 27 52-01 | 1 | Bearing (x2), sealing (x2), O-ring (x1) | 30 |
| 36 | 575 54 33-14 | 6 | Screw, grey (14mm) | |
| 37 | 574 47 94-01 | 1 | Swith ON/OFF with Seal | |

D AUTOMOWER 305
BLADE MOTOR & CUTTING EQUIPMENT

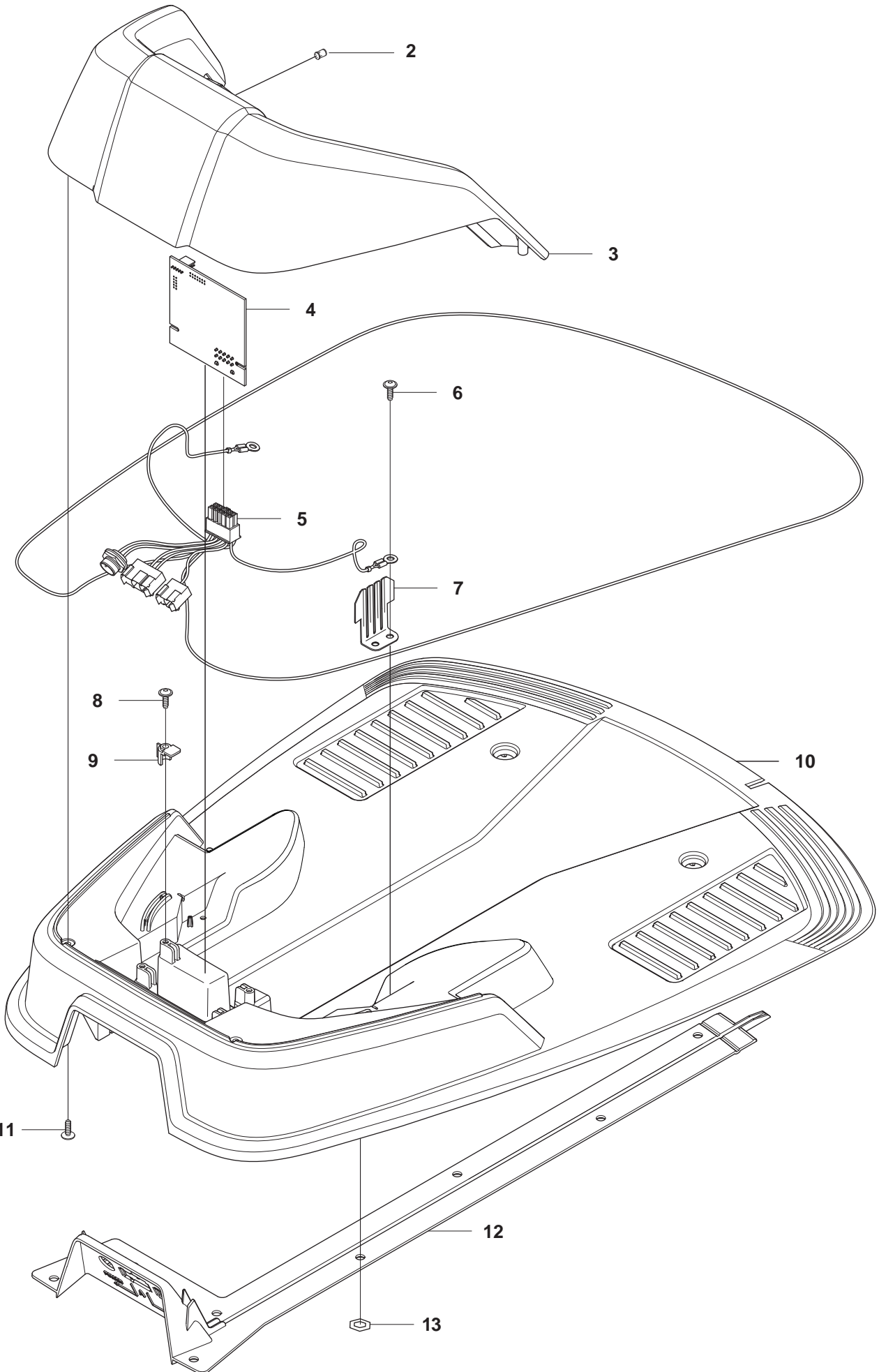


PAGE D AUTOMOWER 305 BLADE MOTOR & CUTTING EQUIPMENT

| Position | Article | Quantity | Notes | Kit |
|-----------------|----------------|-----------------|----------------------------|------------|
| 1 | 574 46 89-01 | 1 | Cutting motor | |
| 2 | 575 54 33-14 | 1 | Screw, grey (14mm) | |
| 3 | 574 50 35-01 | 1 | Height indicator | |
| 4 | 574 48 45-01 | 1 | Motor housing | |
| 5 | 510 01 95-01 | 3 | Washer, steel | |
| 6 | 510 01 87-02 | 3 | Screw | |
| 7 | 574 37 35-01 | 1 | Hub, cutting motor | |
| 8 | 576 21 35-01 | 1 | Stop screw | |
| 9 | 577 85 02-01 | 1 | Guard, cutting disc | |
| 10 | 575 54 33-14 | 3 | Screw, grey (14mm) | |
| 11 | 574 48 71-01 | 1 | Cutting disc | 12 |
| 12 | 577 84 99-01 | 1 | Blade disc kit incl blades | |
| 13 | 577 09 32-01 | 1 | Washer | |
| 14 | 576 21 38-01 | 3 | Screw | |

E AUTOMOWER 305
CHARGING STATION

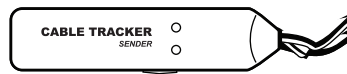
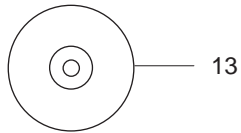
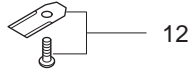
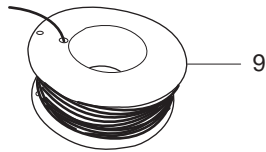
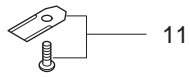
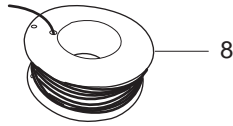
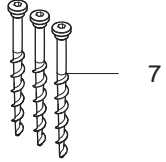
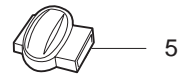
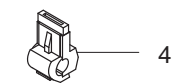
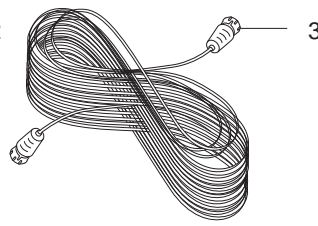
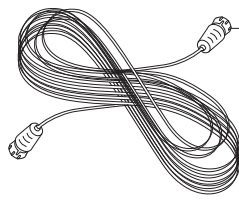
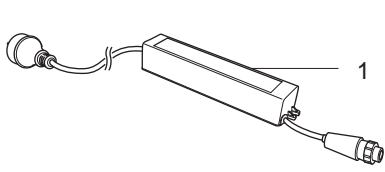
1



PAGE E AUTOMOWER 305 CHARGING STATION

| Position | Article | Quantity | Notes | Kit |
|-----------------|----------------|-----------------|---------------------------------|------------|
| 1 | 576 63 67-03 | 1 | Charging station compl., WHITE | |
| | 576 63 67-04 | 1 | Charging station compl., GREY | |
| 2 | 535 12 87-02 | 1 | Diode lens | 1 |
| 3 | 575 70 84-01 | 1 | Charging station cover, WHITE | 1 |
| | 575 70 84-02 | 1 | Charging station cover, GREY | 1 |
| 4 | 576 24 26-01 | 1 | Circuit board, charging station | 1 |
| 5 | 574 47 65-01 | 1 | Loom, charging station | 1 |
| 6 | 575 54 33-14 | 2 | Screw, grey (14mm) | 1 |
| 7 | 575 85 00-01 | 2 | Contacts, charging station | 1 |
| 8 | 575 54 33-14 | 2 | Screw, grey (14mm) | 1 |
| 9 | 535 12 79-01 | 2 | Bracket | 1 |
| 10 | 575 70 83-02 | 1 | Charging station base plate | 1 |
| 11 | 575 54 33-14 | 4 | Screw, grey (14mm) | 1 |
| 12 | 575 70 85-01 | 1 | Guide cover, charging station | 1 |
| 13 | 577 51 22-01 | 19 | Nut, self-tapping | 1 |

F AUTOMOWER 305 ACCESSORIES



PAGE F AUTOMOWER 305 INSTALLATION ACCESSORIES

| Position | Article | Quantity | Notes | Kit |
|-----------------|----------------|-----------------|--|------------|
| 1 | 578 90 69-01 | 1 | Transformer (EU) | |
| | 578 90 69-02 | 1 | Transformer (UK/IR) | |
| | 578 90 69-03 | 1 | Transformer (CH) | |
| | 578 90 69-04 | 1 | Transformer (AU/NZ) | |
| 2 | 577 23 35-01 | 1 | Transformer cable (10 m) | |
| 3 | 577 23 35-02 | 1 | Transformer cable (20 m) | |
| 4 | 535 12 90-01 | 1 | Loop wire connector | |
| 5 | 501 98 02-01 | 1 | Splice kit (1pcs) | |
| | 501 98 02-02 | 1 | Splice kit (50pcs) | |
| 6 | 504 04 97-01 | 1 | Staples (100pcs) | |
| 7 | 575 23 86-02 | 1 | Anchor screw kit (3pcs) | |
| 8 | 501 98 03-02 | 1 | Loop wire (150m) | |
| 9 | 501 98 03-01 | 1 | Loop wire (250m) | |
| 10 | 535 13 16-01 | 1 | Label, anti-theft | |
| 11 | 535 13 87-02 | 1 | Blades (9pcs), carbon | |
| | 535 13 88-02 | 1 | Blades (30pcs), carbon | |
| | 505 12 78-02 | 1 | Blades (500pcs), carbon | |
| 12 | 577 60 64-02 | 1 | Blades (9pcs), carbon, extra thick | |
| | 577 60 65-02 | 1 | Blades (30pcs), carbon, extra thick | |
| | 577 60 66-02 | 1 | Blades (300pcs), carbon, extra thick | |
| 13 | 577 85 81-01 | 1 | Autocheck EXP - service program DVD (2011) | |
| 14 | 577 51 81-01 | 1 | USB service cable, G3 mowers | |
| 15 | 577 60 68-01 | 1 | Loop wire interruption detector | |