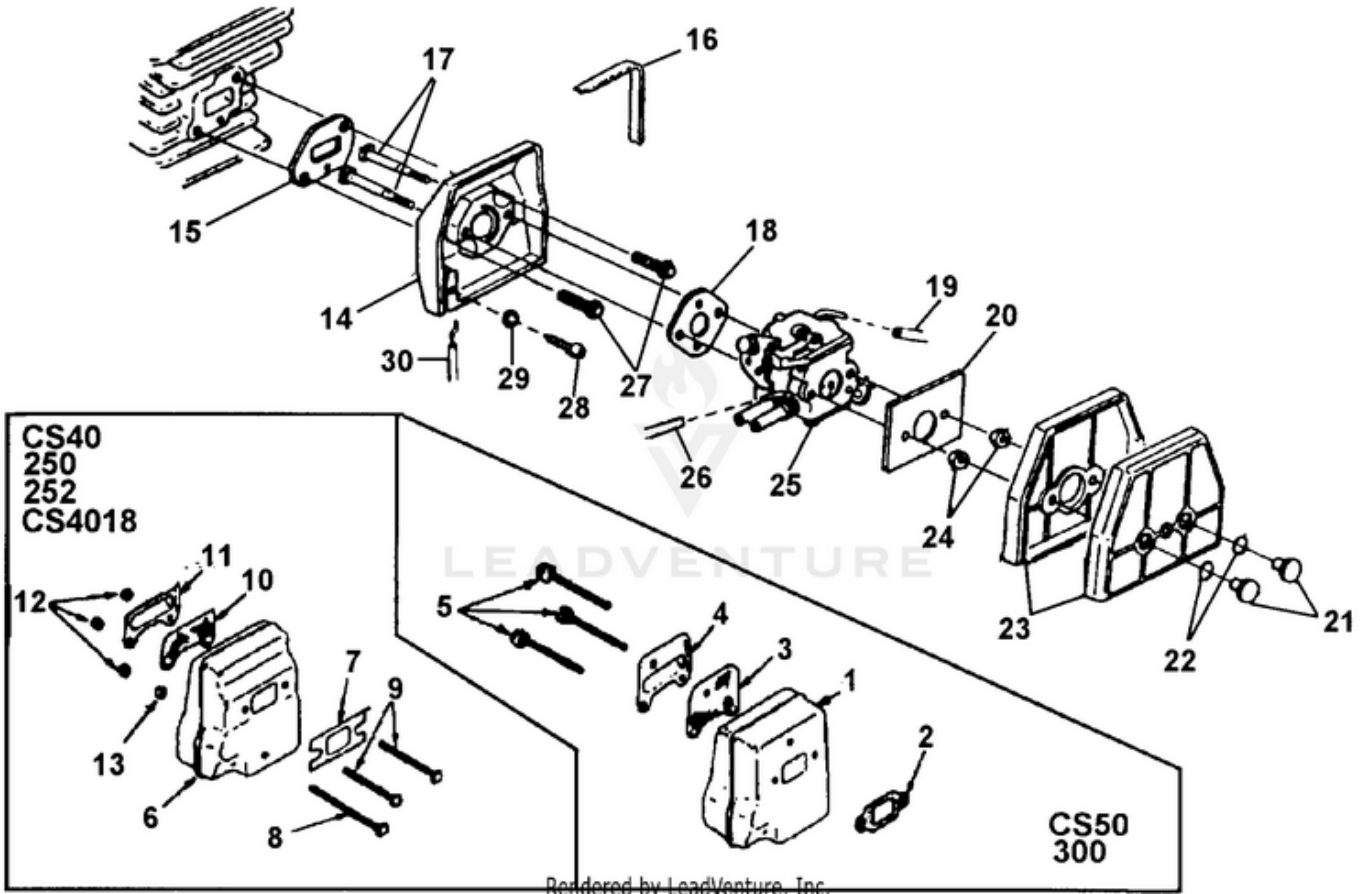


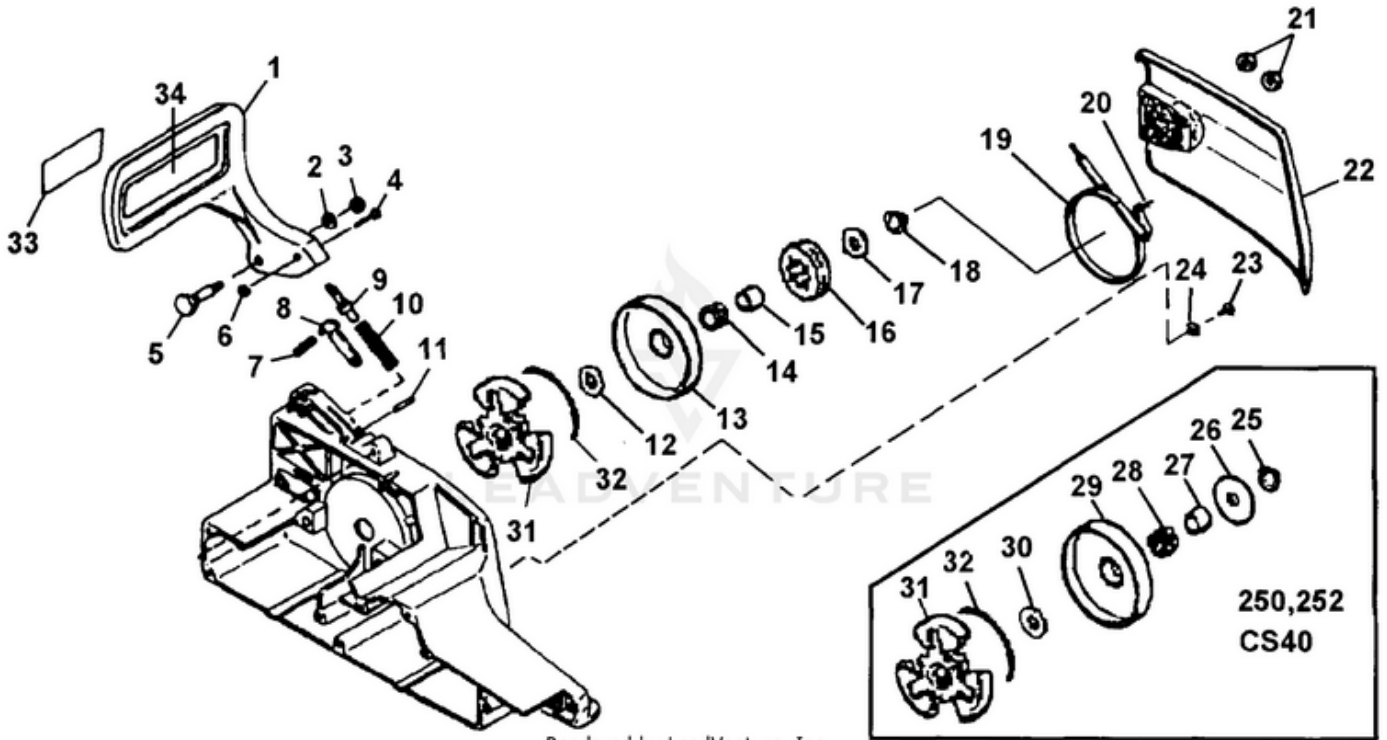
300 Chain Saw UT-10700-A 10700-A-UT 300 Chain Saw UT-10700-A 300 Chain Saw - Carburetor - Muffler



Rendered by LeadVenture, Inc.

Ref #	Part #	Description	Qty
1	A06652	MUFFLER - Complete	1
2	01729	GASKET Muffler	1
3	01733	SCREEN- Spark Arrestor	1
4	01734B	COVER- Exhaust	1
5	88058	SCREW-Sems (10-24 x 2 1 /4)	3
6	A06631	MUFFLER - Complete	1
7	01543B	GASKET Muffler	1
8	02176	SCREW- Square Hd. (10-32 x 2 1/2)	1
9	02509	SCREW- Square Hd. (10-32 x 2 1 /4)	2
10	01532	SCREEN-Spark Arrestor	1
11	01531A	COVER- Exhaust	1
12	81206	NUT Locking (10-32)	3
13	84009	WASHER- Flat (#12)	1
14	A04512	SPACER- Carburetor	1
15	04508	GASKET Carburetor Spacer	1
16	03141	FOAM- Adhesive	1
17	00905A	SCREW- Carburetor Retainer	2
18	98339	GASKET Carburetor	1
19	7031036	TUBING-Rubber (9")	1
20	02695	RETAINER PLATE	1
21	01178	RETAINER NUT Filter	2
22	02718	"O" RING	2
23	A02582A	AIR FILTER	1
24	81009	NUT Hex (8-32)	2
25	A03964	CARBURETOR (Zama C1Q-H27)	1
	A04481	CARBURETOR (Walbro WT282)	1
26	7031019	TUBING- Rubber (4 3/4")	1
27	82430	SCREW Mach. Hex Hd. (8-32 x 7/8")	2
28	82513	SCREW Thread Form (6-19 x 5/8")	1
29	84123	WASHER Flat (#6)	1
30	00997D	CABLE Throttle	1

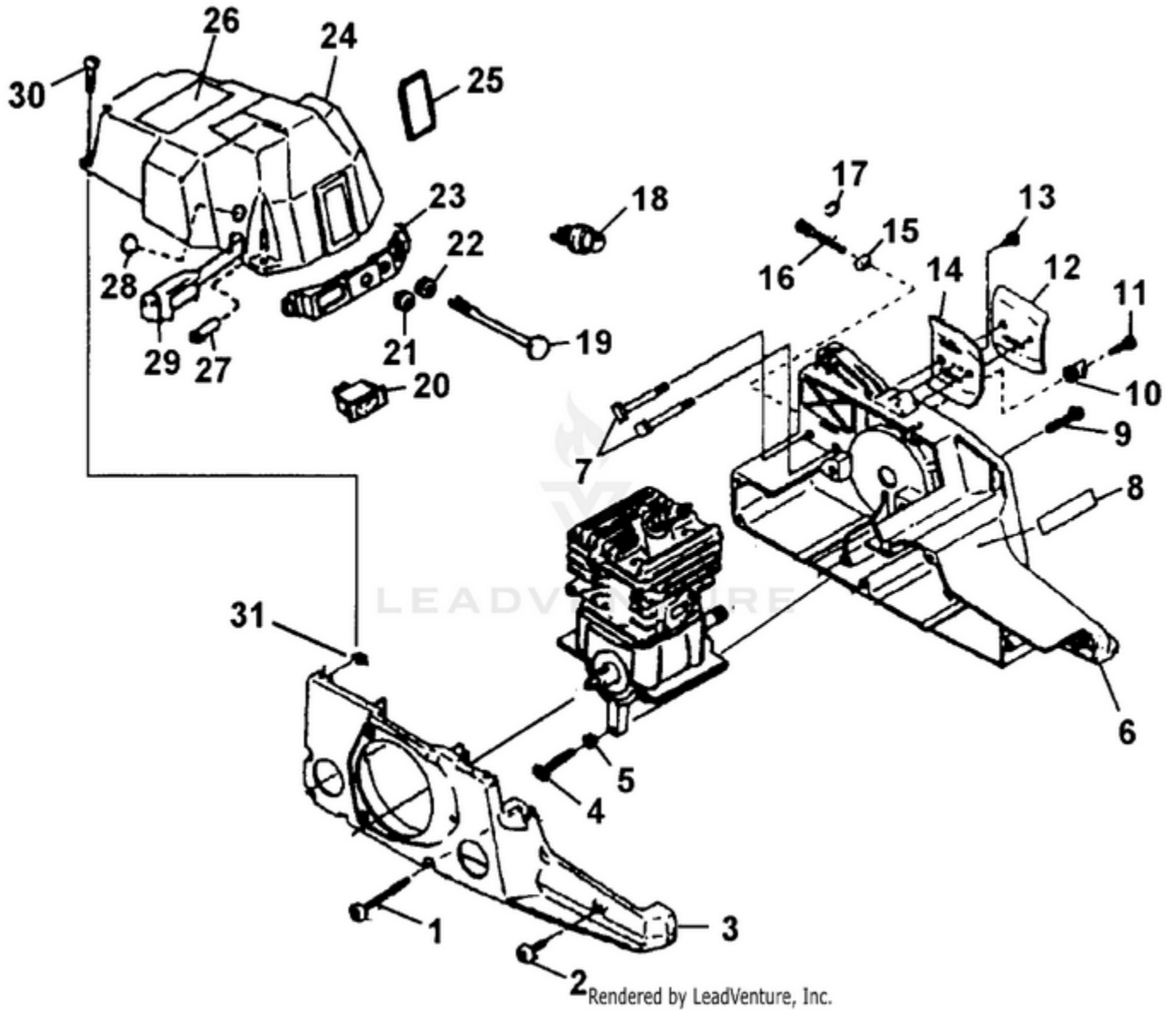
300 Chain Saw UT-10700-A 10700-A-UT 300 Chain Saw UT-10700-A 300 Chain Saw - Clutch & Chain Brake



Rendered by LeadVenture, Inc.

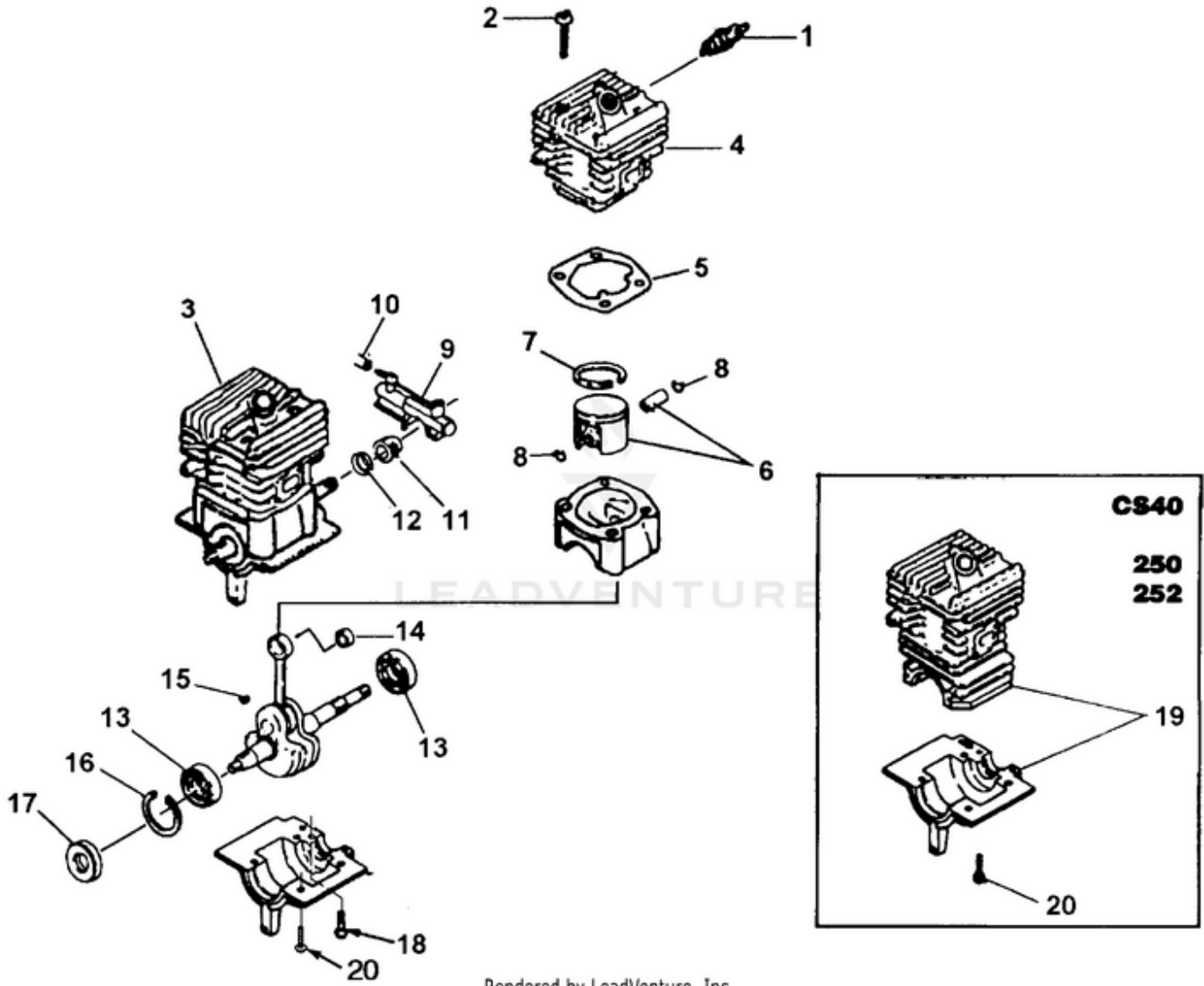
Ref #	Part #	Description	Qty
1	A06757	GUARD, HAND	1
2	83203	WASHER, BELLVILLE	1
3	98457	NUT - (M5)	1
4	98422A	PIN	1
5	98461	SCREW, SHOULDER	1
6	01820	RING, RETAINER	1
7	98308	SPRING, COIL	1
8	A98317A	BRAKE LATCH ASSY	1
9	A00888A	ADJUSTER, BRAKE	1
10	00890	SPRING, COMPRESSION	1
11	98456	PIN	1
12	58833	WASHER, THRUST (INNER)	1
13	A02990	SPLINE & DRUM	1
14	02999	BEARING, NEEDLE	1
15	03039	RACE, INNER	1
16	07341	SPROCKET, RIM (.325 X 7T)	1
17	65027	WASHER, THRUST	1
18	81255	NUT, HEX LOCK (3/8"-24)	1
19	A98298B	BRAKE BAND ASSY	1
20	06672	PIN, DOWEL	1
21	81196	NUT, HEX	2
22	A00226A	COVER, DRIVE CASE	1
23	82513	SCREW, THREAD FORM (#6)	1
24	01180	RETAINER, BRAKE BAND	1
25	81255	NUT, HEX LOCK (3.8"-24)	1
26		WASHER, THRUST	1
27		RACE, INNER	1
28		BEARING, NEEDLE	1
29		SPROCKET & DRUM	1
30		WASHER, THRUST	1
31	A00995	CLUTCH ASSY	1
32	98453	SPRING, CLUTCH	1
33	02561A	LABEL, KICKBACK	1
34	02661	DECAL, SAFETY	1

300 Chain Saw UT-10700-A 10700-A-UT 300 Chain Saw UT-10700-A 300 Chain Saw - Engine Housing



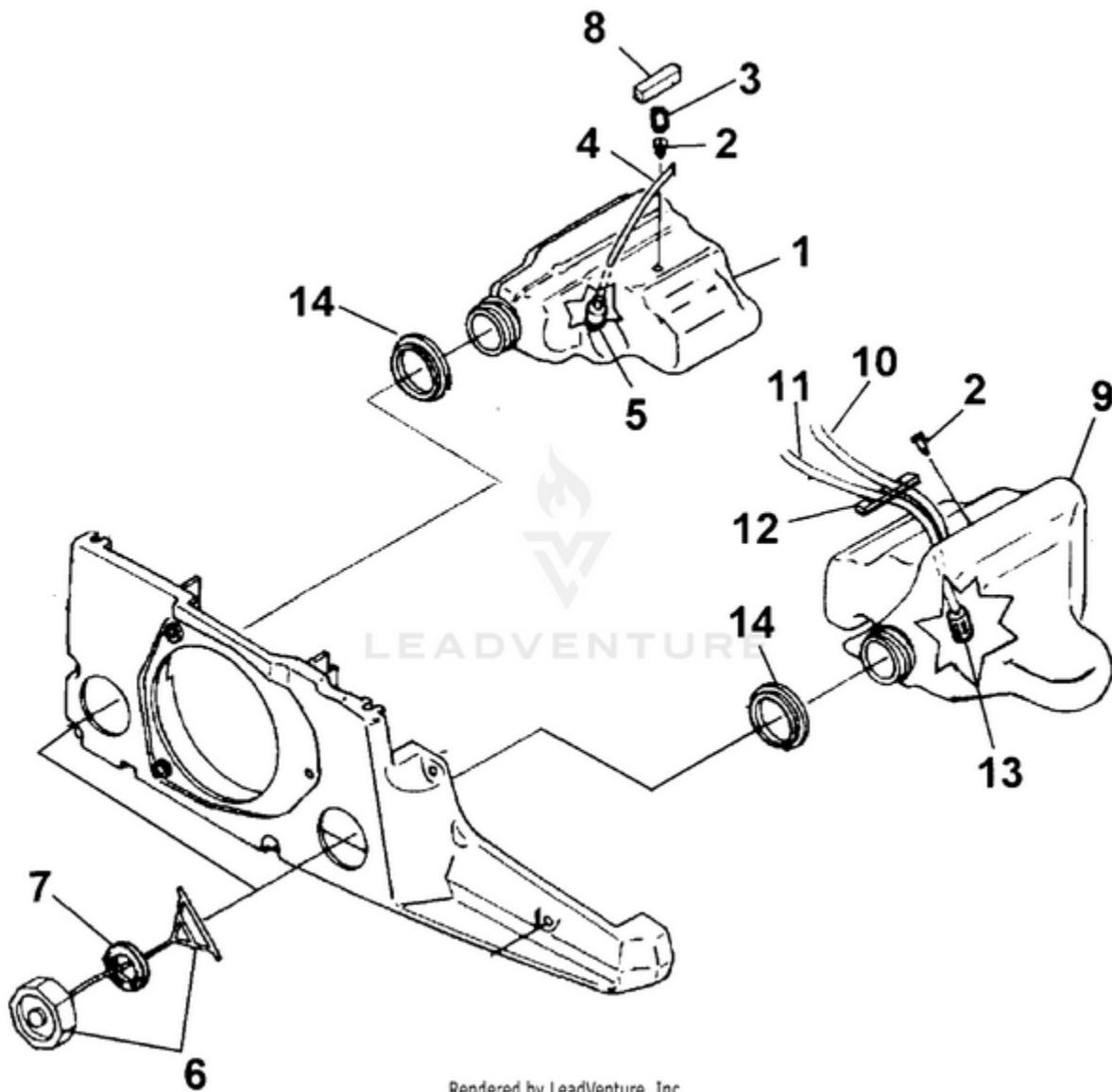
Rendered by LeadVenture, Inc.

Ref #	Part #	Description	Qty
1	82545	SCREW- Thread Form (8-16 x 1 3/4")	3
2	82546	SCREW- Thread Form. (8-16 x 5/8")	4
3	017151A	STRTR.SIDE HSG.(300 TBO	1
4	82588	SCREW-Thread Form. (10-14 x 1 1/8")	1
5	83056	WASHER-Lock	1
6	A03720B	HOUSING- Drive Side	1
7	03132	BOLT Guide Bar	2
8	01805A	DECAL- Panel	1
9	80864	SCREW-Hex Hd. (12-24 x 1")	2
10	95212	STOP- Chain	1
11	82537	SCREW- Thread Form (10-14 x 7/8")	1
12	01170	PLATE- Guide Bar (Outer)	1
13	82513	SCREW- Thread Form. (6-19 x 1/2")	1
14	98278	PLATE- Guide Bar (Inner)	1
15	651121	PIN- Adjusting	1
16	03139	SCREW- Guide Bar Adjusting	1
17	69599	RING- Snap	1
18	01183	BULB- Primer	1
19	01527A	ROD- Choke	1
20	01802	SWITCH- Ign.	1
21	69889	BOOT Throttle Cable	1
22	64862	GROMMET Choke	1
23	01169	PANEL Control	1
24	A04583	CYLINDER COVER	1
25	01173A	SCREEN- Air Inlet	1
26	02506	LABEL Warning	1
27		GROMMET - Carburetor	
28		PLUG - Idle Speed	
29	04373	GROMMET Carburetor	1
30	95792	SCREW- Round Hd. (10-24 x .710)	3
31	70810	NUT Square (10-24)	3



Rendered by LeadVenture, Inc.

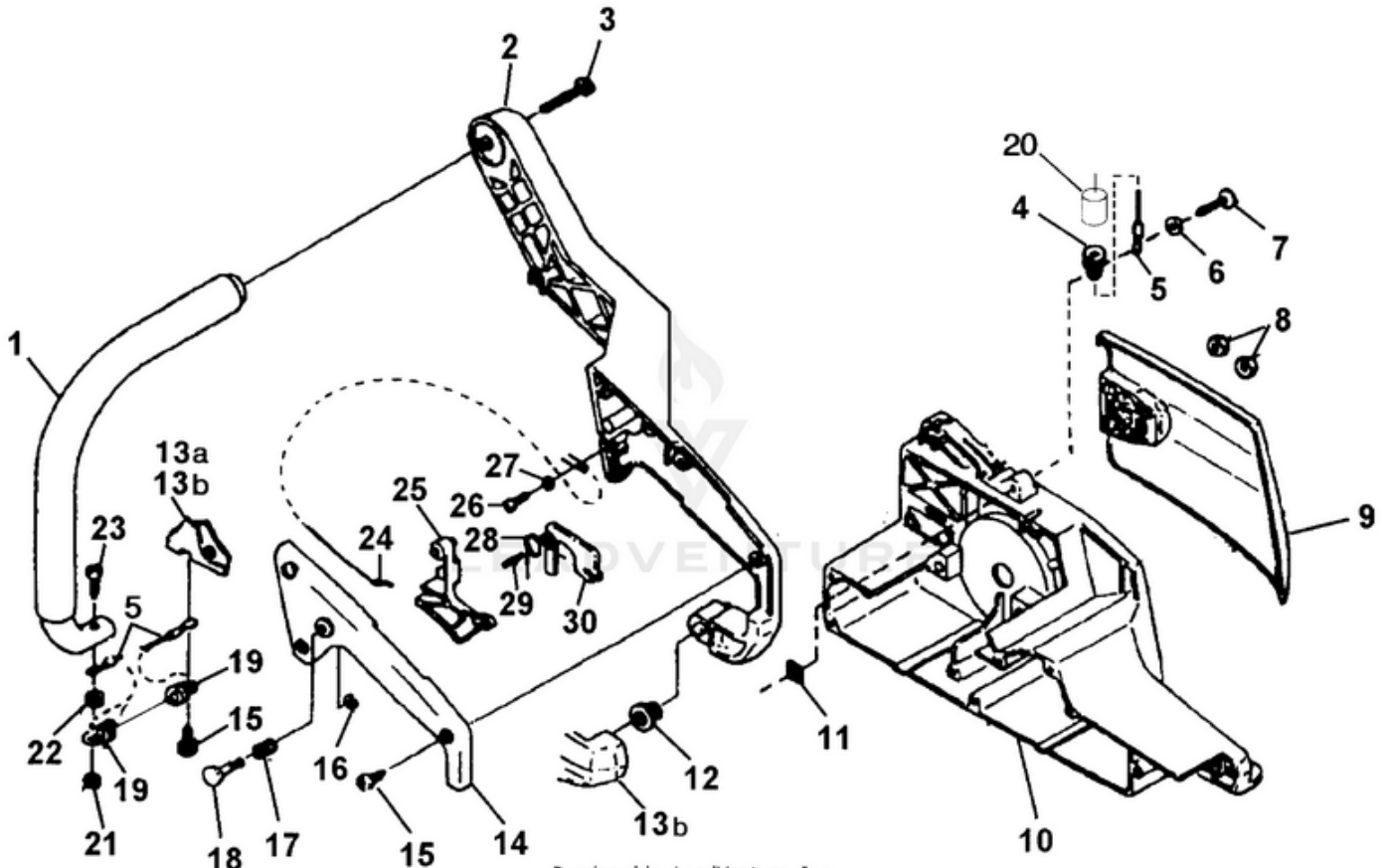
Ref #	Part #	Description	Qty
1	98261S	SPARK PLUG (CJ6Y)	1
	98217S	SPARK PLUG (RCJ6Y) (Intl.)	
2	82568	SCREW-PAN Hd. (10-24 x .800)	4
3	A04511	SHORT BLOCK	1
4	A04513	CYLINDER & GASKET	1
5	02527	GASKET, CYLINDER	1
6	A03301	PISTON & PIN	1
7	02263A	RING, PISTON	2
8	64813	RING, WRIST PIN RETAIN.	2
9	A02802A	OIL PUMP	1
10	02548	TUBING, OIL (TO GUIDE BAR)	1
11	00229	WORM GEAR, LEFT HAND	1
12	93858	SEAL, CRANKSHAFT	1
13	98797	BEARING, BALL	2
14	70277	BEARING, NEEDLE	1
15	75078	WOODRUFF KEY	1
16	289221	RETAINING RING	1
17	98197A	SEAL, SHAFT	1
18	82146	SCREW,OIL PUMP (8-32 X 5/8")	2
19	A02577C	CYLINDER & CRANKCASE	1
20	80891	SCREW, Hex Hd. (12-24 X 7/8")	4



Rendered by LeadVenture, Inc.

Ref #	Part #	Description	Qty
1	A06636	OIL TANK ASSY	1
2	03134	VALVE-Check	1
3	03585	PIN-Spirol	1
4	7031029	TUBING- Rubber (7 1/4")	1
5	A68593	FILTER- Oil	1
6	A00904A	CAP- Tank (w/Retainer)	1
7	02762A	GASKET Fuel Cap	1
8	69443	FILTER- Oil Tank Valve	1
9	A06637	FUEL TANK ASSY	1
2	03134	VALVE- Check	1
6	A00904A	CAP- Tank (w/Retainer)	1
7	02762A	GASKET Fuel Cap	1
10	7031021	TUBING-Rubber (5 1/4")	1
11	7031036	TUBING- Rubber (9")	1
12	02952	FILTER- Foam	1
13	49422	FILTER- Fuel	1
14	00993	SAWDUST SEAL	2

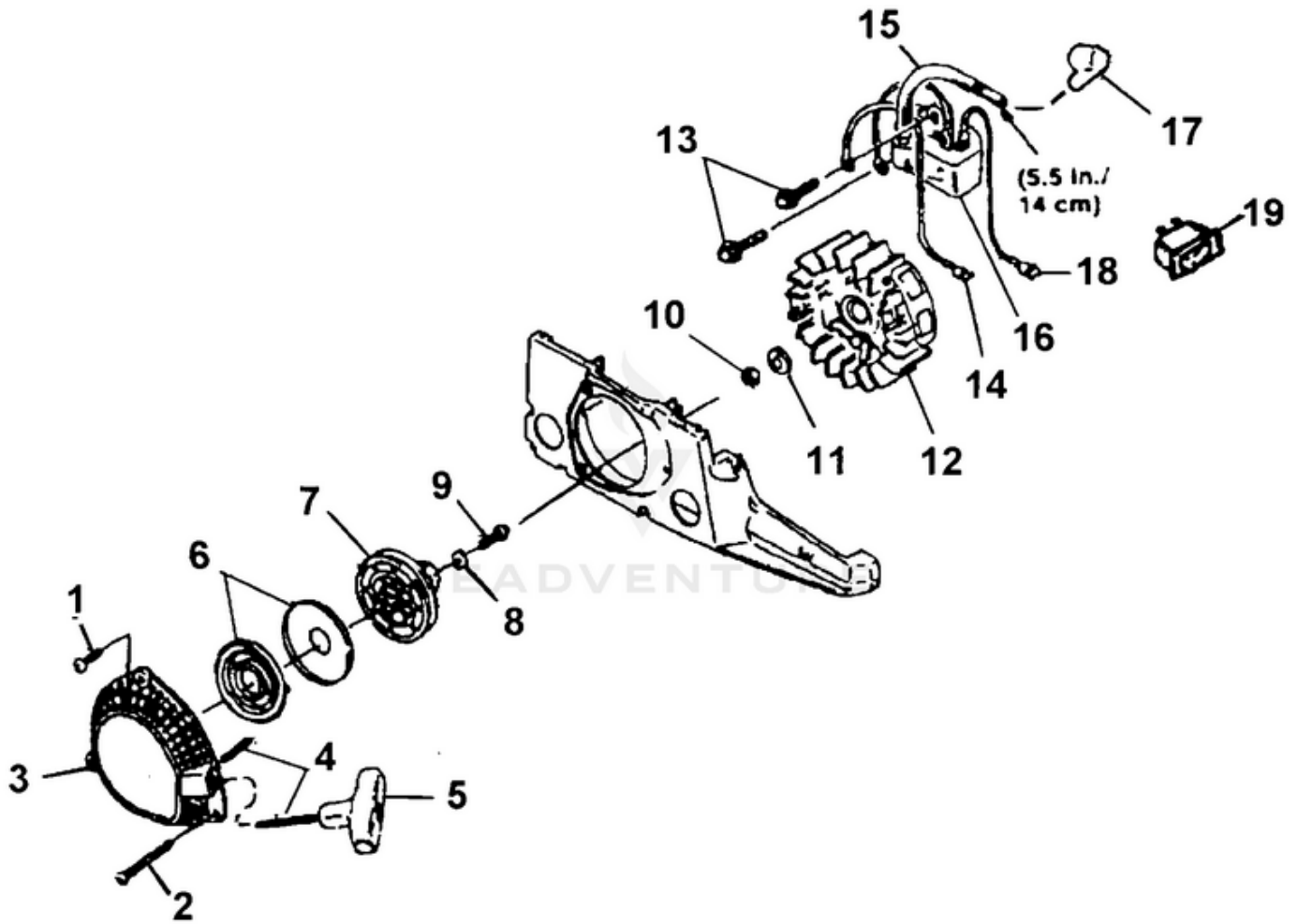
300 Chain Saw UT-10700-A 10700-A-UT 300 Chain Saw UT-10700-A 300 Chain Saw - Handles



Rendered by LeadVenture, Inc.

Ref #	Part #	Description	Qty
1	A03496	HANDLE BAR	1
2	03945	REAR HANDLE	1
3	80891	SCREW, HEX Hd (12-24 X 7/8")	1
4	02813	SPRING, EXTENSION	1
5	03583	RETAINER, SPRING	2
6	84008	WASHER, FLAT (#12)	2
7	82562	SCREW, PAN Hd. (10-24 X 7/8")	1
8	81196	NUT, HEX	2
9	A00226A	COVER, DRIVE CASE	1
10	A03720B	ENG. HSG. DRIVE SIDE	1
11	70810	NUT, SQUARE (# 10-24)	1
12	02508	ISOLATOR, VIBRATION	2
13A	017151A	STRTR.SIDE HSG.(300 TBO	1
13B		HSG., STARTER SIDE	1
14	00210C	COVER, REAR HANDLE	1
15	82546	SCREW, THREAD FORM (8-16 X 5/8")	5
16	58409	RING, RETAINING	1
17	95020	SPRING, COMPRESSION	1
18	95671	PIN, THROTTLE LOCK	1
19	01168	SPRING, EXTENSION	1
20	01813	SLEEVE, SPRING	2
21	81261	NUT, HEX	2
22	84008	WASHER, FLAT (#12)	2
23	96620	SCREW, TORX (10-24 X 1/2")	1
24	00997D	CABLE, THROTTLE	1
25	A03806A	TRIGGER, THROTTLE	1
26	82513	SCREW, THREAD FORM (6-19 X 1/2")	1
27	84123	WASHER, FLAT	1
28	02316	SPRING, THROTTLE	1
29	70253	PIN, DOWEL	1
30	93385A	LOCK, THROTTLE	1

300 Chain Saw UT-10700-A 10700-A-UT 300 Chain Saw UT-10700-A 300 Chain Saw - Starter - Ignition



Rendered by LeadVenture, Inc.

Ref #	Part #	Description	Qty
1	82546	SCREW-Thread Form (8-16 x 5/8")	4
2	82566	SCREW Thread Form (8-16 x 2 1 /4)	1
3	A04778A	STARTER - COMPLETE	1
4	9789901	ROPE, STARTER (46")	1
5	02264	GRIP STARTER	1
6	A97908	SPRING & CONTAINER	1
7	97768B	PULLEY	1
8	94062	WASHER	1
9	82409	SCREW Plastite (10-14 x 5/8")	1
10	81124A	NUT, JAM	1
11	83102	WASHER LOCK (3/8)	1
12	A00994B	ROTOR & STARTER PAWLS	1
13	88052	SCREW, Sems Hex Hd. (10-24 x 7/8"	2
14	A01821A	IGNITION GROUND WIRE	1
15	95098	SLEEVE, Insulating	1
16	A01546	IGNITION MODULE	1
17	A02597	SPARK PLUG BOOT KIT	1
18	A01822	IGNITION WIRE	1
19	01802	SWITCH	1

No
Diagram
Available

LEADVENTURE
Parts List
Only

Ref #	Part #	Description	Qty
	A02177	BUMPER SPIKE KIT	
	7031099	RUBBER TUBING (10')	
	18453	GREASE-Multi-Purpose (Sprocket bearing-PT guide bar)	
	98052A	STARTING ROPE (250 ft. Reel)	
	18416	DIGITAL TACHOMETER	
	PT16321H6	GUIDE BAR, (power tip) (16")	
	PT18321H6	GUIDE BAR, (power tip) (18")	
	PT20321H6	GUIDE BAR, (power tip) (20")	
	SP16321H6	GUIDE BAR, (sprocket tip) (16")	
	SP20321H6	GUIDE BAR, (sprocket tip) (20")	
	A70776B	SAFE-T-TIP(R)	
	94194	COMPRESSION TESTER	
	17789	CARBURETOR REPAIR TOOL	
	24306	SHIM (.0125")	
	18416	DIGITAL TACHOMETER	
	18080	CLUTCH ASSEMBLY TOOL	
	24823	SEALANT SILICON	
	A24824	WRENCH (combination)	
	2498202	T-25 TORX DRIVE BIT	
	22486	SHIM (0.015" AIR GAP)	
	GP203225	TESTER (Spark Plug)	
	A01182	CLUTCH SPANNER	
	DIL7267AH	CHAIN (32-MD50-67) (16")	
	DIL7273AH	CHAIN (32-MD50-73) (18")	
	DIL7279AH	CHAIN (32-MD50-79) (20")	