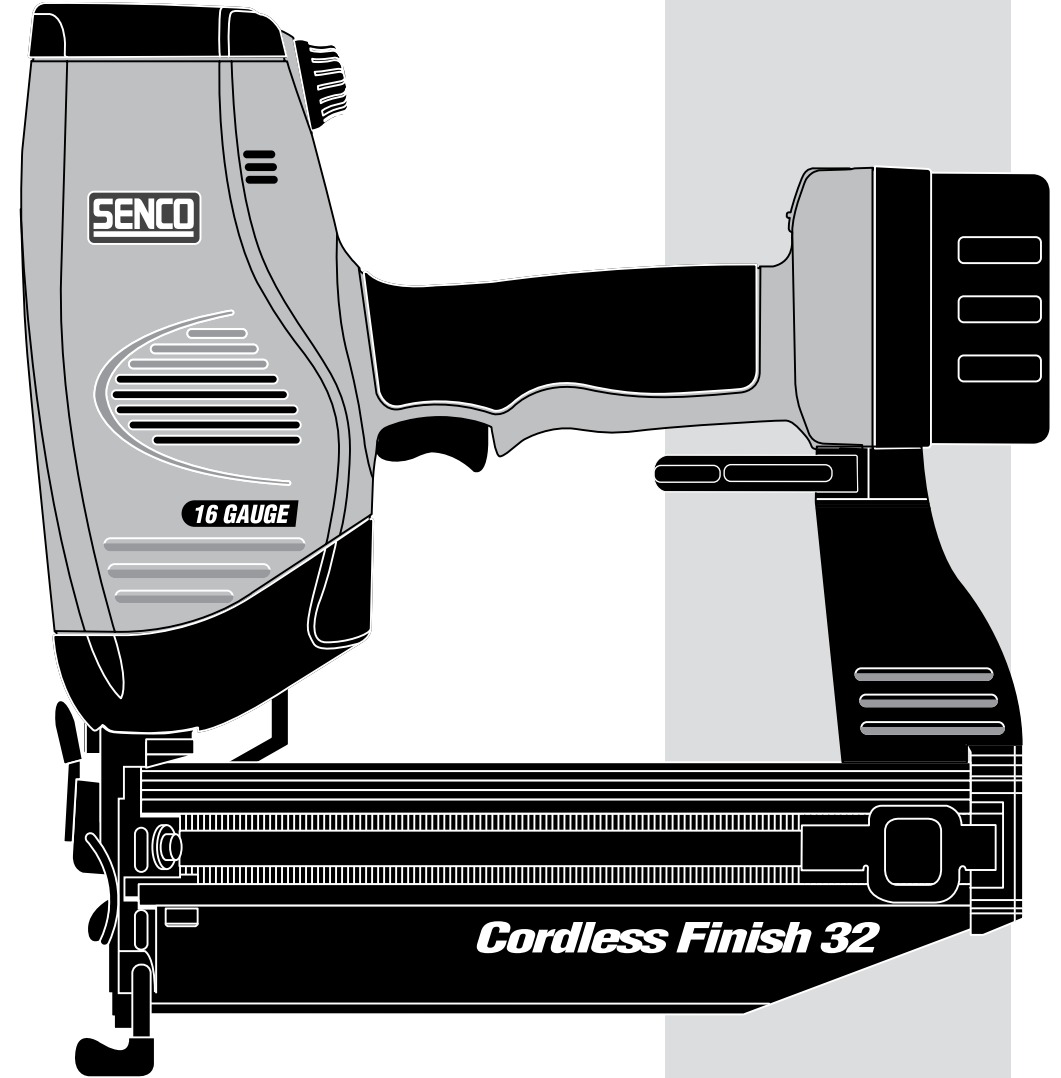


PART NO.	DESCRIPTION	DESCRIPCIÓN	BESCHREIBUNG	DÉSIGNATION
AA0118	BODY, RIGHT HALF (US / S AMER)	CARCASA	GEHÄUSE	CORPS
AA0119	BODY, LEFT HALF	CARCASA	GEHÄUSE	CORPS
AA0124	BODY, RIGHT HALF (EU / AU / UK)	CARCASA	GEHÄUSE	CORPS
AB0119	BELT HOOK	GANCHO DE CINTURON	GURTHAKEN	CROCHET DE CEINTURE
BC0352	SLEEVE, CYLINDER	CILINDRO	ZYLINDER	CYLINDRE
BC0374	CAP, SLEEVE	TAPA	KAPPE	BOUCHON
BF0207	GUIDE RING	CASQUILLO	HÜLSE	DOUILLE
EC0385	DRIVER	PERCUSOR	TREIBER	COUPEAU
EC0418	PISTON	PISTON	KOLBEN	PISTON
FA0208	LATCH	UNETA	VERSCHLUSS	DOIGT DE RETENUE
FC0411	PLATE, TOP FRONT	PLACA	PLATTE	PLAQUE
FC0412	PLATE, BOTTOM FRONT	PLACA	PLATTE	PLAQUE
FC0413	BACKPLATE	PLACA	PLATTE	PLAQUE
GA0411	RAIL ASSY (US / S AMER)	CARRIL	SCHIENE	RAIL
GA0412	RAIL ASSY (EURO / AUST / UK)	CARRIL	SCHIENE	RAIL
GC0798	FEEDER SHOE CARRIAGE	ALIMENTADOR	NAGELSCIEBER	POUSSOIR
GC0799	ROLLER	RODILLO	ROLLE	GALET
GC0800	SPRING	RESORTE	FEDER	RESSORT
GC0805	BRACKET, MOUNTING	SOPORTE	HALTERUNG	CAVALIER
GC0806	INSERT, UPPER RAIL	ACOPLAMIENTO	EINSATZ	INSERT
GC0832	RETAINER	JUNTA TORICA	SICHERUNGSRING	RETENUE
GC1021	FEEDER SHOE	ALIMENTADOR	NAGELSCIEBER	POUSSOIR
HA0149	SLIDE, TRIGGER	PLACA	PLATTE	PLAQUE
HC0318	COVER	CUBIERTA	ABDECKUNG	COUVERCLE
HC0319	RETAINER	JUNTA TORICA	SICHERUNGSRING	RETENUE
HC0328	SAFETY ELEMENT	ASAMBLE DE SEGURO	SICHERHEITSVORRICHTUNG	PALPEUR DE SÉCURITÉ
HC0379	HOUSING, SAFETY PLUNGER	ALOJAMIENTO	GEHÄUSE	CORPS
HF0084	TRIGGER	GATILLO	AUSLÖSER	GACHETTE
HF0094	NO-MAR PAD	AMORTIGUADOR	SCHUTZ	COUSSIN
KB0017	SCREW	TORNILLO	SCHRAUBE	VIS
KB0043	SCREW	TORNILLO	SCHRAUBE	VIS
KB2968	WASHER, FLAT	ARANDELA	SCHEIBE	RONDELLE
KB3440	PIN, PISTON/DRIVER	PASADOR	STIFT	GOUPILLE
KB3468	WASHER, FLAT	ARANDELA	SCHEIBE	RONDELLE
KB3471	NUT	TUERCA	MUTTER	ECROU
KB3473	PIN	PASADOR	STIFT	GOUPILLE
KB3501	PIN	PASADOR	STIFT	GOUPILLE
KB3503	PIN	PASADOR	STIFT	GOUPILLE
KB3510	WASHER, FLAT	ARANDELA	SCHEIBE	RONDELLE
KB3616	SCREW	TORNILLO	SCHRAUBE	VIS
KB3628	SCREW	TORNILLO	SCHRAUBE	VIS
KB3629	SCREW	TORNILLO	SCHRAUBE	VIS
KB3630	SCREW	TORNILLO	SCHRAUBE	VIS
KB4288	SPRING	RESORTE	FEDER	RESSORT
KB4302	SPRING	RESORTE	FEDER	RESSORT
KB4304	SPRING	RESORTE	FEDER	RESSORT
KB4310	SPRING, TORSION	RESORTE	FEDER	RESSORT
KB4350	SPRING	RESORTE	FEDER	RESSORT
KB9806	SCREW	TORNILLO	SCHRAUBE	VIS
KB9807	SCREW	TORNILLO	SCHRAUBE	VIS
LB0891	SEAL	SELLO	DICHTUNG	JOINT
LB0904	SEAL	SELLO	DICHTUNG	JOINT
LB0907	SEAL	SELLO	DICHTUNG	JOINT
VA0056	MOTOR, DRIVE ASY	MOTOR IMPULSOR	ANTRIEBSMOTOR	MOTEUR, ENTRA
VB0002	CHARGER (US / S AMER)	CARAGADOR	LADEGERAT	CHARGEUR
VB0023	BATTERY (US / S AMER)	BATERIA	BATTERIE	BATTERIE
VB0026	CHARGER (EURO)	CARAGADOR	LADEGERAT	CHARGEUR
VB0028	CHARGER (AUSTRALIA)	CARAGADOR	LADEGERAT	CHARGEUR
VB0029	CHARGER (U.K.)	CARAGADOR	LADEGERAT	CHARGEUR
VB0034	BATTERY (EURO/AUST/UK)	BATERIA	BATTERIE	BATTERIE
VB0080	PCB HOUSING	ALOJAMIENTO	GEHÄUSE	CORPS
WA0043	CHASSIS SUB-ASY	CHASIS	GEHÄUSE	CHASSIS

Cordless Finish 32 16 ga. Brad Nailer



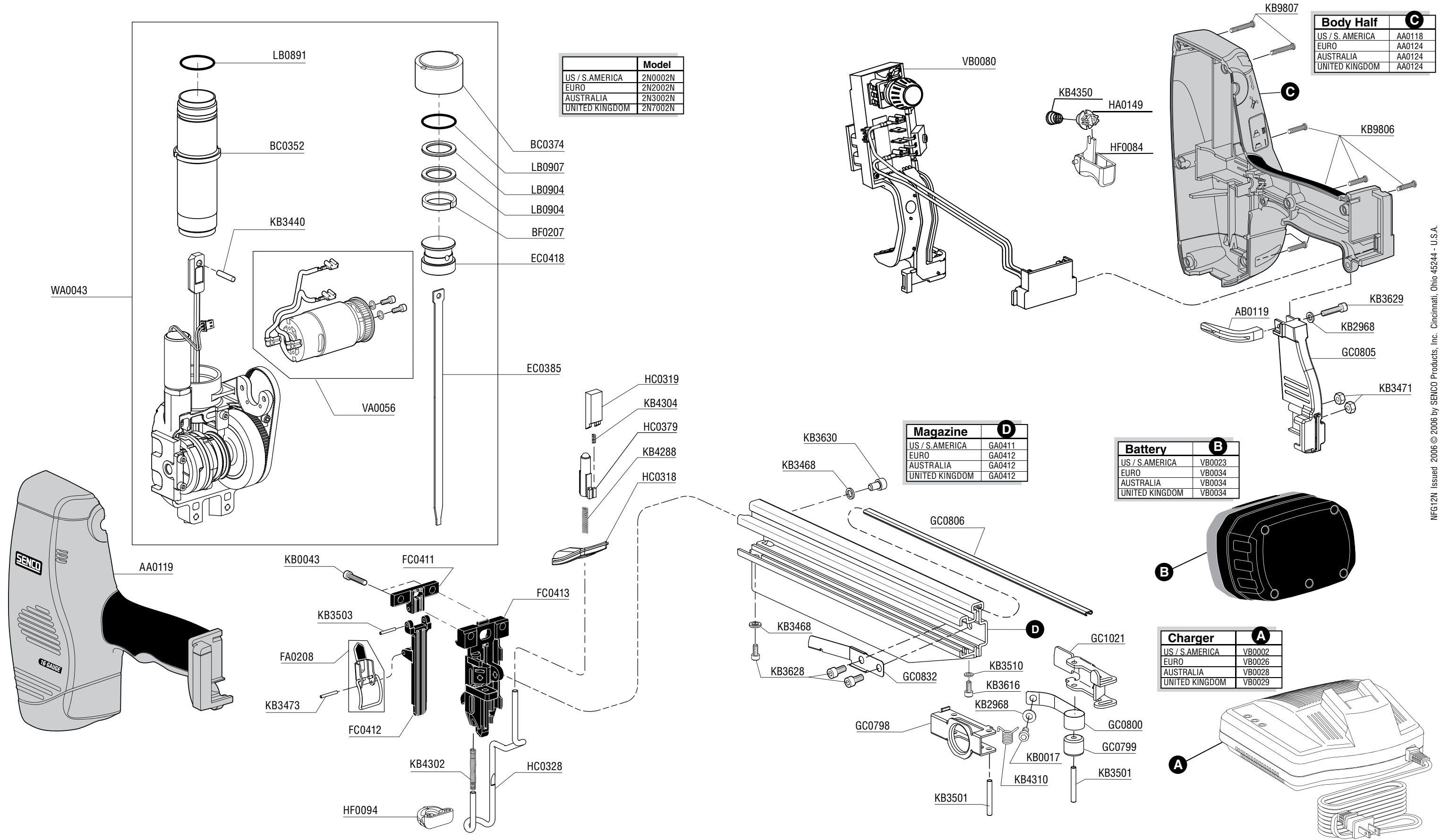
Parts Reference Guide



* Schematic drawings inside

SENCO PRODUCTS, INC.
8485 Broadwell Road.
Cincinnati, Oh. 45244
www.senco.com

Questions? Comments? call SENCO's toll-free Action-line:
1-800-543-4596 (North & South America only)
or e-mail: toolprof@senco.com



	Model
US / S.AMERICA	2N0002N
EURO	2N2002N
AUSTRALIA	2N3002N
UNITED KINGDOM	2N7002N

Body Half		C
US / S.AMERICA	AA0118	
EURO	AA0124	
AUSTRALIA	AA0124	
UNITED KINGDOM	AA0124	

Magazine		D
US / S.AMERICA	GA0411	
EURO	GA0412	
AUSTRALIA	GA0412	
UNITED KINGDOM	GA0412	

Battery		B
US / S.AMERICA	VB0023	
EURO	VB0034	
AUSTRALIA	VB0034	
UNITED KINGDOM	VB0034	

Charger		A
US / S.AMERICA	VB0002	
EURO	VB0026	
AUSTRALIA	VB0028	
UNITED KINGDOM	VB0029	