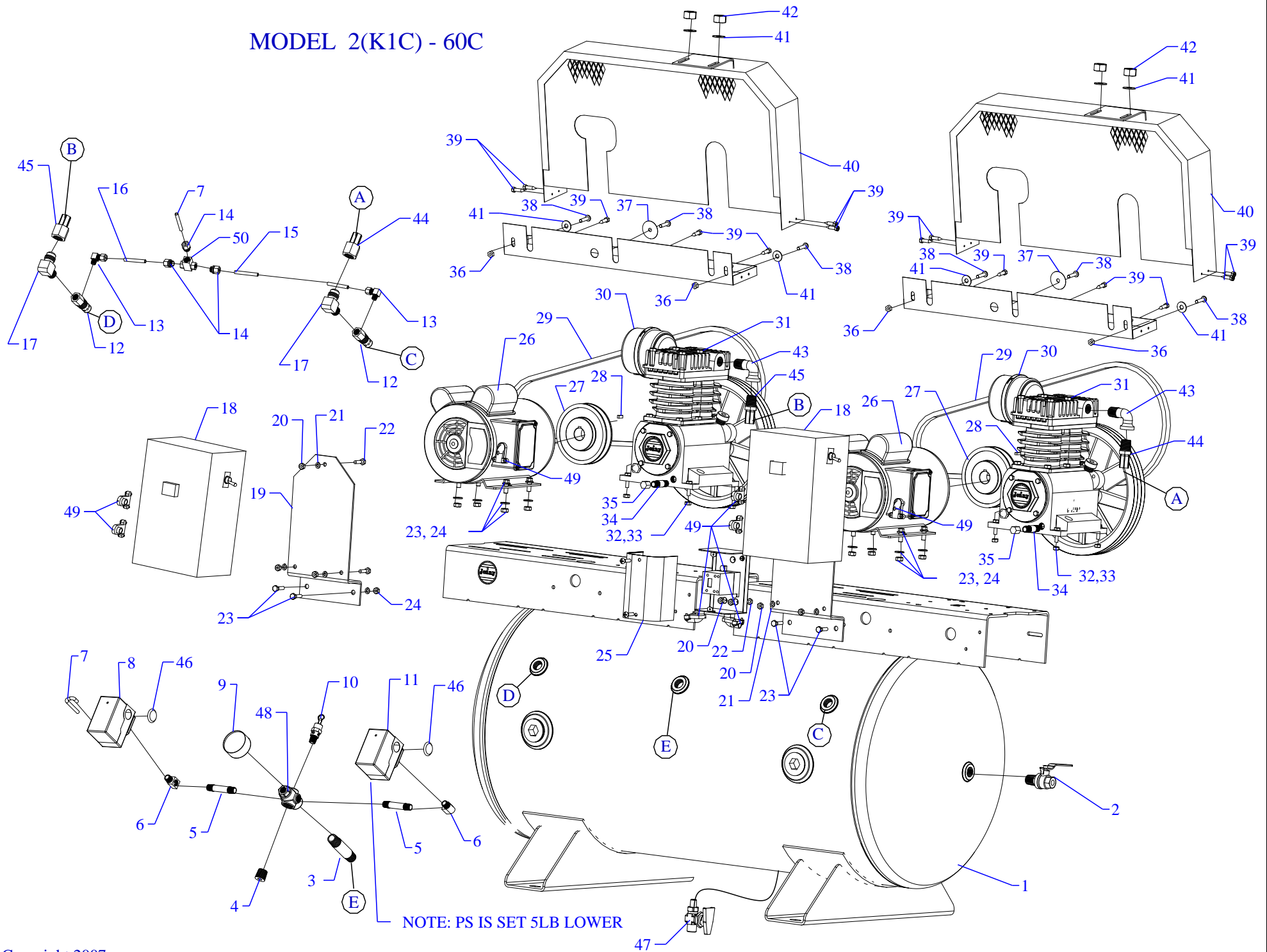


MODEL 2(K1C) - 60C



NOTE: PS IS SET 5LB LOWER

Parts List for Model 2(K1C)-60C Single & Three Phase

NOTE: The quantity number indicates the total number of pieces required for a complete unit repair.

When ordering parts give compressor model, serial number and part number. Order assemblies when possible.

<u>REF. NO.</u>	<u>PART NO.</u>	<u>DESCRIPTION</u>	<u>QTY.</u>
1	411-1069	TANK,DUPLEX,60G,UNB,F&K&GE,H60U-7	1
2	141-1078	VALVE,BALL,OUTLET,1/4 TURN,1/2"M X 1/2"F	1
3	122-1146	NIPPLE,STEEL,SCH 80,PLTD,1/2" X 2-1/2" L	1
4	122-1047	PLUG,SOCKET,HEX,ST,PLTD,1/2" NPT	1
5	122-1030	NIPPLE,STEEL,SCH 40,1/4" X 2" L	2
6	122-1118	ELBOW,STREET,MI,PLTD,90 DEG,1/4"NPT	2
7	610-1086	TUBE,CONTROL,COPPER,W/SLEEVE,1/4"X22"LG	1
8	140-1074-01	SWITCH,PSI,2HP,100-125#,UNLDR&LVR,PBVL	1
9	142-1000	GAUGE,PSI,200#,BK MT,JENNY,2",1/4NPT,PG2	1
10	141-1016	VALVE,SAFETY,ASME,1/4",125 PSI,SVU125	1
11	140-1072	SWITCH,PSI,2HP,115-175#,PB	1
12	141-1036	VALVE,CHECK,INSERT,3/4"M X1/2"F,W/1/8"PT	2
13	121-1032	ELBOW,MALE,COMPRESSION,BR,1/4TBX1/8"NPTM	2
14	121-1025	CONNECTOR,MALE,COMPRESSION,BR,1/4TBX1/8"	3
15	610-1089	TUBE,CONTROL,COPPER,W/SLEEVE,1/4"X27"LG	1
16	610-1086	TUBE,CONTROL,COPPER,W/SLEEVE,1/4"X22"LG	1
17	121-1015	ELBOW,MALE,BRASS,5/8-45SAEX1/2"NPTM	2
18	330-1020	STARTER,1P,25A,115V,ASSY,SVC,MGSA-1-115	2
19	320-1080	BRACKET MAG STARTER 6X12	2
20	120-1113	NUT,HEX,STEEL,PLATED,1/4-20	8
21	120-1069	WASHER,LOCK,SPLIT,STEEL,PLATED,1/4"	6
22	120-1003	SCREW,CAP,HEX HD,GR2,ST,BLK,1/4-20X3/4	6
23	120-1018	SCREW,FLANGE,HEX,SERR,ST,PLD,5/16-18X3/4	12
24	120-1119	NUT,LOCK,FLANGE,HEX,SERR,ST,PLTD,5/16-18	12

Parts List for Model 2(K1C)-60C Single & Three Phase

NOTE: The quantity number indicates the total number of pieces required for a complete unit repair.

When ordering parts give compressor model, serial number and part number. Order assemblies when possible.

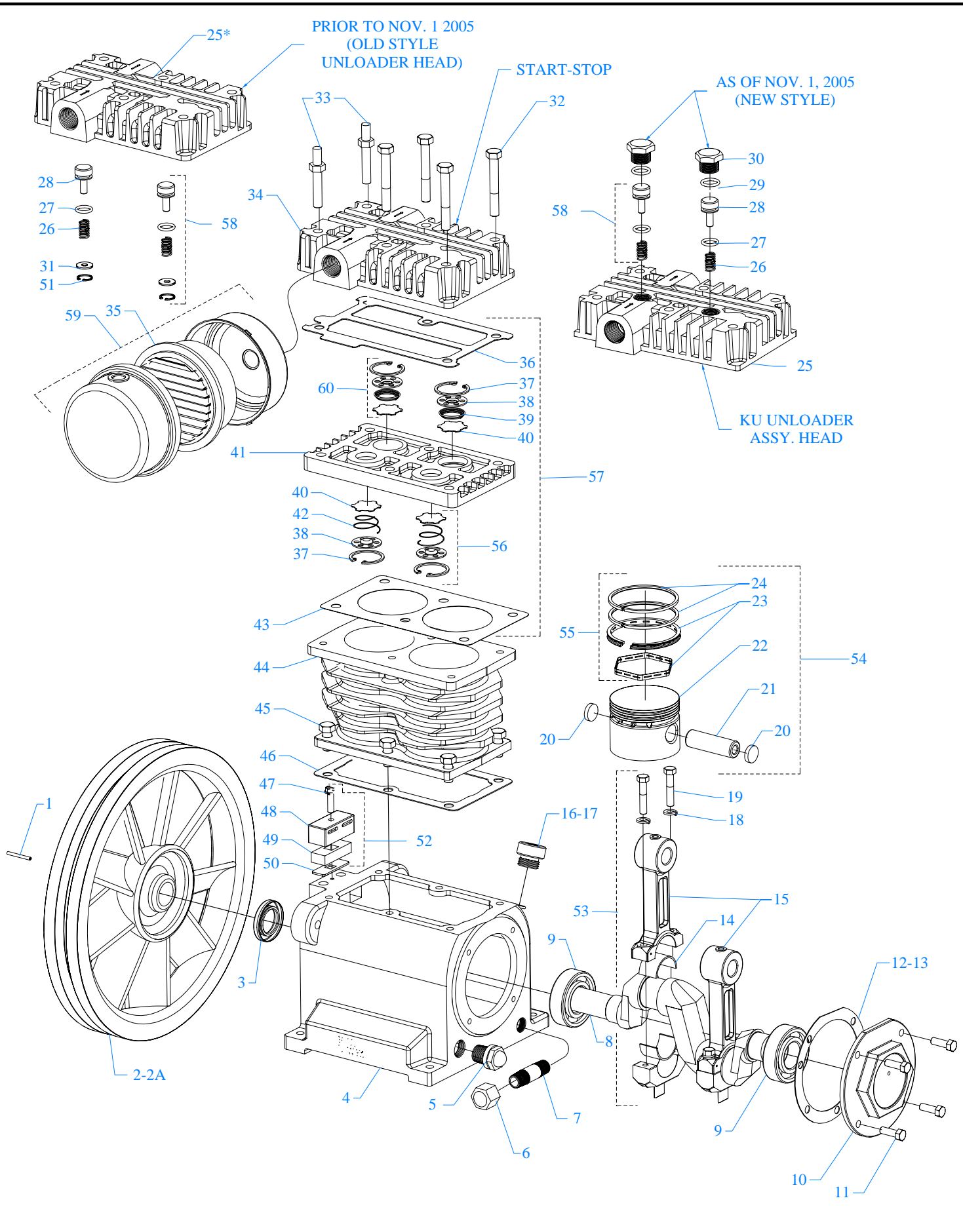
<u>REF. NO.</u>	<u>PART NO.</u>	<u>DESCRIPTION</u>	<u>QTY.</u>
25	140-1088-01	RELAY,ALTERNATING,AUTO,600V,12A,115VAC	1
25*	140-1088-02	RELAY,ALTERNATING,AUTO,600V,12A,230VAC	1
25**	140-1088-03	RELAY,ALTERNATING,AUTO,600V,12A,460VAC	1
26	130-1010	MOTOR,1HP,115-230/60/1,1725RPM,ODP	2
26*	130-1013	MOTOR,1HP,230-460/60/3,1725RPM,ODP	2
26**	130-1012	MOTOR,1HP,200-208/60/3,1725RPM,ODP	2
27	154-1206	PULLEY,CI,SG,3.2PDA,5/8ID,AK34X5/8	2
28	120-1108	KEY,STEEL,BLACK,3/16X3/16X 1-1/2" LENGTH	2
29	154-4L450	BELT,VEE,A52,4L-450	2
30	320-1121	FILTER,W/DECALS,ASSY,G154S	2
31	421-1101	PUMP,CMPRSR,PISTON,REPLCMT,BLUE,K	2
32	120-1116	NUT,LOCK,FLANGE,HEX,SERR,ST,PLTD,1/4-20	8
33	120-1220	SCREW,CAP,HEXHD,GR5,ST,PLD,1/4-20X1-3/4	8
34	122-1034	NIPPLE,STEEL,SCH 40,1/4" X 5" L	2
35	122-1126	CAP,HEX,MI,PLATED,1/4"NPT	2
36	120-1116	NUT,LOCK,FLANGE,HEX,SERR,ST,PLTD,1/4-20	4
37	120-1072	WASHER,FENDER,ST,PLATED,1/4"X1-1/2"OD	2
38	120-1267	SCREW,PAN HD,PHIL,STEEL,PLTD,1/4-20 X 1"	6
39	120-1177	SCREW,SELF DRILL,HEX,ST,PL,12 X 3/4	14
40	320-1177	BELTGUARD,F&K,W/PAN,3.4WX13.0HX23LG	2
41	120-1073	WASHER,LOCK,SPLIT,STEEL,PLATED,5/16"	8
42	120-1119	NUT,LOCK,FLANGE,HEX,SERR,ST,PLTD,5/16-18	4
43	122-1052	ELBOW,STREET,MI,PLTD,90 DEG,1/2"NPT	2

Parts List for Model 2(K1C)-60C Single & Three Phase

NOTE: The quantity number indicates the total number of pieces required for a complete unit repair.

When ordering parts give compressor model, serial number and part number. Order assemblies when possible.

<u>REF. NO.</u>	<u>PART NO.</u>	<u>DESCRIPTION</u>	<u>QTY.</u>
44	360-1176	AFTERCOOLER,HOSE,SS,TEFLON,5/8"ODX28"L	1
45	360-1173	AFTERCOOLER,HOSE,SS,TEFLON,5/8"ODX24-1/2	1
46	JD3856	PLUG,HOLE,PLASTIC,BLACK,7/8"	2
47	141-1077	VALVE,BALL,LEVER,1/4 TURN,1/4"M X 1/4"F	1
48	220-1122	BLOCK,MANIFOLD,ZINC,6 HOLE,TAPPED,MC-6	1
49	123-1032	CONNECTOR,CABLE,BX,90 DEG,3/8"	6
50	141-1061	VALVE,SHUTTLE,1/8" NPTF	1
NOT SHOWN	610-1225	KIT,ELEMENT,FILTER,G54E,PKG OF 4,G54EP	2
NOT SHOWN	105-1209	OIL,PUMP,SYNTHETIC,BLUE,1 QUART,ESQ	2
NOT SHOWN	330-1022	MAG STR,25A,3P,200/208/230V,MGSA-3-230	2
	140-1028-E39	OVERLOAD,HEATER,STARTER,MAGNETIC,E39	6
NOT SHOWN	330-1023	MAG STRT,25A 3P 460V,SVC RPLM,MGSA-3-460	2
	140-1028-E27	OVERLOAD,HEATER,STARTER,MAGNETIC,E27	6
NOT SHOWN	330-1021-01	MAG STR 25A 1P115/208/230 REP MGSA-1-230	2
	140-1028-E53	OVERLOAD,HEATER,STARTER,MAGNETIC,E53 120V	2
	140-1028-E42	OVERLOAD,HEATER,STARTER,MAGNETIC,E42 230V	2



MODEL K & KU
 Two Cylinder Single Stage
 2-1/2" Bore X 2" Stroke

Parts List for Model K & KU Pump Assembly

NOTE: The quantity number indicates the total number of pieces required for a complete unit repair.
When ordering parts give compressor model, serial number and part number. Order assemblies when possible.

<u>REF. NO.</u>	<u>PART NO.</u>	<u>DESCRIPTION</u>	<u>QTY.</u>
1	120-1163	PIN,ROLLED,COILED,STL,BLK,1/4ODX1L,K25	1
2	220-1093	FLYWHEEL,K PUMP,CI,10-3/8,1 GROOVE,K23A	1
2A	220-1090	FLYWHEEL,GT PUMP,CI,13-1/4,2 GROOVE,G23 (KC Pump)	1
3	150-1036	SEAL,OIL,LIP,SINGLE,0.875 DIA,K11E	1
4	220-1009	CRANKCASE,K PUMP,CI,W/SIGHT GLASS,K1	1
5	160-1076	GAUGE,SIGHT,LEVEL,OIL,3/8"NPT,LO-M49	1
6	122-1083	CAP,HEX,MI,1/4"NPT	1
7	122-1032	NIPPLE,STEEL,SCH 40,1/4" X 3" L	1
8	220-1010	CRANKSHAFT,K PUMP,CI,MACHINED,K20A	1
9	150-1000	BEARING,BALL,K9	2
10	220-1001	CAP,BEARING,K PUMP,CI,MACHINED,K2	1
11	120-1004	SCREW,CAP,HEXHD,GR5,ST,BLK,1/4-20X3/4 (10FT-LB)	4
12	104-1000-01	GASKET,CAP,BEARING,F&K&G PUMP,1/32THK,L3	1
13	104-1000-02	GASKET,CAP,BEARING,F&K&G PUMP,1/64THK,L4	1
14	150-1011	BEARING,ROD,CONNECTING,PUMP,F,K,G	4
15	310-1001-02	ROD,CONNECTING,WO/BRNG INSERT,L21L&L21K	2
16	610-1029	PLUG,CRANKCASE,FILL,OIL,W/O-RING,K14	1
17	104-1016	RING,O,BUNA-N,5/8"IDX13/16"ODX3/32"THK	1
18	120-1068	WASHER,LOCK,SPLIT,ST,BLK,HIGH CLLR,1/4"	4
19	120-1010	SCREW,CAP,HEXHD,GR5,ST,BLK,1/4-20X1-1/4 10 FT-LB	4
20	104-1103	BUMPER,WRIST PIN,PLASTIC,K36A	4
21	150-1005	PIN,PISTON,STEEL,HARDENED,K35	2
22	220-1005	PISTON,PUMP,ALUMINUM,MACHINED,K32	2

Parts List for Model K & KU Pump Assembly

NOTE: The quantity number indicates the total number of pieces required for a complete unit repair.
When ordering parts give compressor model, serial number and part number. Order assemblies when possible.

<u>REF. NO.</u>	<u>PART NO.</u>	<u>DESCRIPTION</u>	<u>QTY.</u>
23	610-1065	KIT,RING,OIL,W/EXPANDER,ASSY,K34	2
24	150-1003	RING,COMPRESSION,PISTON,STEEL,EBA 22,K33	4
25	220-1016	HEAD,UNLOADING,G PUMP,CI,6HOLES,LU80	1
26	150-1020	SPRING,VALVE,UNLOADER,INTAKE, KU83	2
27	104-1020	RING,O,SILICON,7/16"IDX5/8"ODX3/32"THK	2
28	150-1028	PISTON,UNLOADER,VALVE,BRASS,KU81	2
29	104-1015	RING,O,BUNA-N,1/2"IDX11/16"ODX3/32"THK	2
30	122-1051	PLUG,HEX ,BRASS,11/16-16 UN-2B X .550	2
31	150-1042	WASHER,BRASS,1/32X 0.605ODX1/4 ID,KU84	2
32	120-1028	SCREW,CAP,HEXHD,GR5,ST,BLK,5/16-18X2-1/4 (22 FT-LB)	4
33	120-1252	BOLT,STUD,HEX,ST,5/16-18X2-1/4X5/8,K52-1 (22 FT-LB)	2
34	310-1004	HEAD,START/STOP,G PUMP,REPLACEMNT,L50	1
35	150-1104	ELEMENT,FILTER,AIR,COMPRESSOR,JENNY,G54E	1
36	104-1008	GASKET,HEAD,K&G&W PUMP,1/32THK,L51	1
37	150-1041	RETAINER,VALVE,STEEL,PAS,0.062"THK,K43	4
38	109-1010	VALVE,BUMPER,STEEL,K44	4
39	150-1018	SPRING,CONE,SS,VALVE,DISCHARGE,K46	2
40	109-1011	VALVE,DISC,STAINLESS STEEL,K47	4
41	220-1013	PLATE,VALVE,L PUMP,CI,MACHINED,L40	1
42	150-1017	SPRING,CONE,SS,VALVE,INTAKE,K45	2
43	104-1007	GASKET,PLATE,VALVE,K&G&W PUMP,1/32TK,L41	1
44	360-1150	CYLINDER,K PUMP,CI,PAINTED,BLUE,K30	1
45	120-1017	SCREW,CAP,HEXHD,GR5,ST,BLK,5/16-18X3/4 (15FT-LB)	6

Parts List for Model K & KU Pump Assembly

NOTE: The quantity number indicates the total number of pieces required for a complete unit repair.
When ordering parts give compressor model, serial number and part number. Order assemblies when possible.

<u>REF. NO.</u>	<u>PART NO.</u>	<u>DESCRIPTION</u>	<u>QTY.</u>
46	104-1006	GASKET,CYLINDER,K&G&W PUMP,1/32THK,K31	1
47	132776	SCREW,MACH,RND HD,SLTD,ST,PL,#8-32X1"	1
48	104-1264	RETAINER,BREATHER,CRANKCASE,PLASTIC,BLUE	1
49	104-1265	FILTER,AIR,BREATHER,CRANKCASE,INSERT	1
50	104-1266	SEAL,BREATHER,CRANKCASE,FILTERED,RUBBER	1
51	120-1167	RETAINER,INTERNAL,ST,0.035X 0.665,KU85	2
Assemblies			
52	610-1410	BREATHER,CRANKCASE,W/HOUSING&FILTER&SEAL Includes 47, 48, 49, 50	1
53	610-1411	ROD,CONNECTING,W/BEARNG INSERT,L21L&L21K INCLUDES 14(2), 15, 18(2), 19(2)	2
54	610-1028	PISTON,W/RINGS&PIN,ASSY,K132 INCLUDES 20 (2), 21, 22, 23, 24 (2)	2
55	610-1020	KIT,PUMP,RING,PISTON,F&K&G&W PUMP,K133 INCLUDES 23 (2), 24 (4)	1
56	610-1031	VALVE,SUCTION,ASSY,K145 INCLUDES 37, 38, 40, 42	2
57	610-1045	PLATE,VALVE,W/VALVES,ASSY,L140 INCLUDES 36, 41, 43, 56(2), 60(2)	1
58	610-1042	VALVE,UNLOADER,HEAD,PUMP,ASSY,KU181 INCLUDES 26, 27, 28, 31, 51	2
59	320-1121	FILTER,W/DECALS,ASSY,G154S	1
60	610-1032	VALVE,DISCHARGE,ASSY,K146 INCLUDES 37, 38, 39, 40	2
61	610-1026	KIT,GASKET,K PUMP,ASSY,K100A INCLUDES 12,13,36,43,46	1
NOT SHOWN	610-1123	KIT,BASIC,REPAIR,KU PUMP,K101 W/G54E INCLUDES 35, 52, 55, 56(2), 60(2), 61	1
NOT SHOWN	610-1304	KIT,BASIC,REPAIR,KU PUMP,W/G54E,KU101G	1

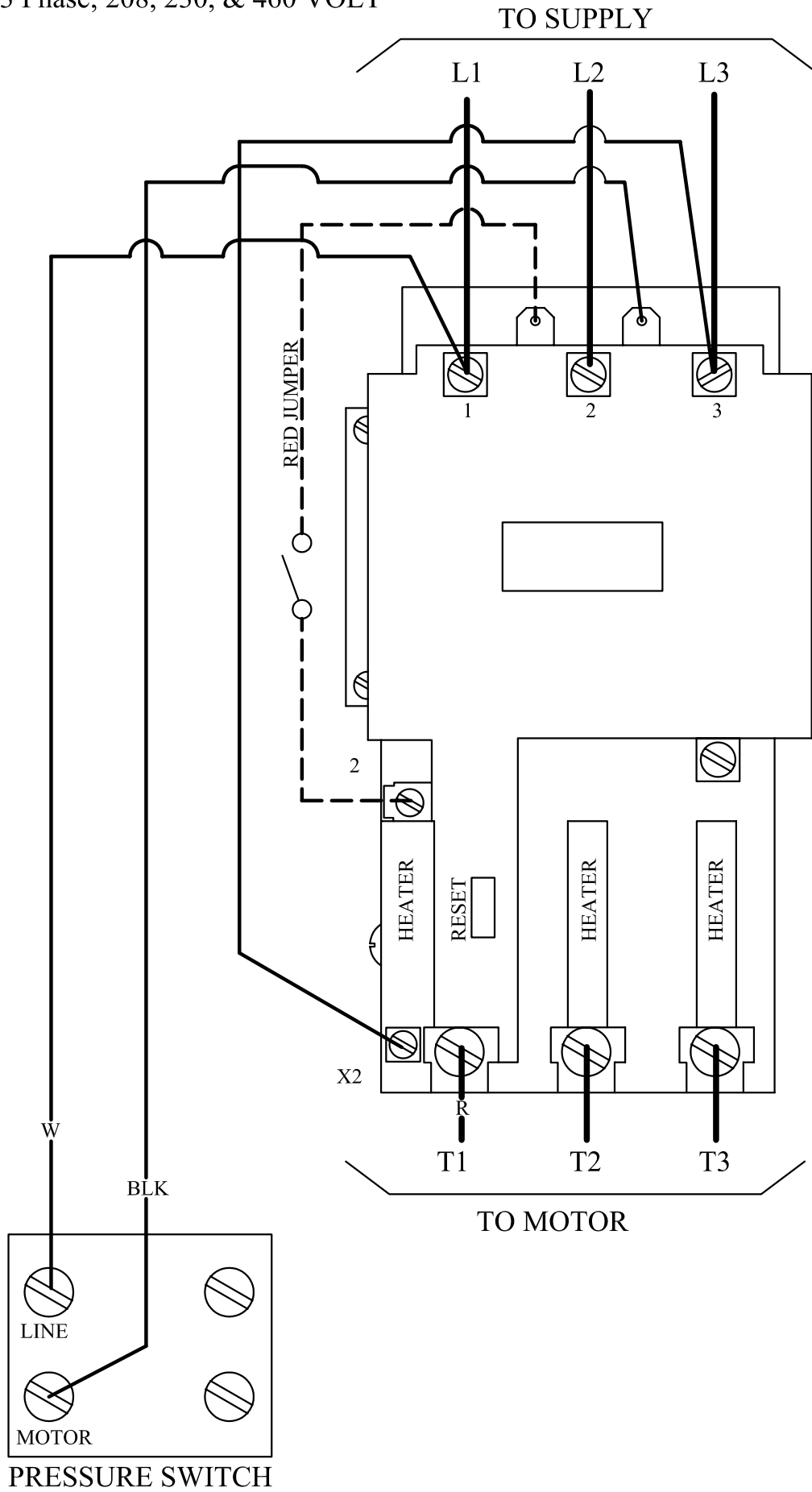
Parts List for Model K & KU Pump Assembly

NOTE: The quantity number indicates the total number of pieces required for a complete unit repair.
When ordering parts give compressor model, serial number and part number. Order assemblies when possible.

<u>REF. NO.</u>	<u>PART NO.</u>	<u>DESCRIPTION</u>	<u>QTY.</u>
		INCLUDES 35, 52, 55(2), 56(2), 58(2), 60(2), 61 W/G54E	
NOT SHOWN	105-1209	OIL,PUMP,SYNTHETIC,BLUE,1 QUART,ESQ	1
NOT SHOWN	610-1226	KIT,FILTER,ASSY,G154,PKG OF 4,G154P	1
NOT SHOWN	610-1186	KIT,ELEMENT,FILTER,L54E,PKG OF 4,L54EP	1
NOT SHOWN	150-1010	ELEMENT,FILTER,AIR,COMPRESSOR,JENNY,L54E	1

MAGNETIC STARTER WIRING DIAGRAM

3 Phase; 208, 230, & 460 VOLT



MAGNETIC STARTER WIRING DIAGRAM

1 Phase; 208 & 230 Volt

