



# SERVICE PARTS LIST

BUL. 54-42-0100

## SCREW DRIVER ATTACHMENT

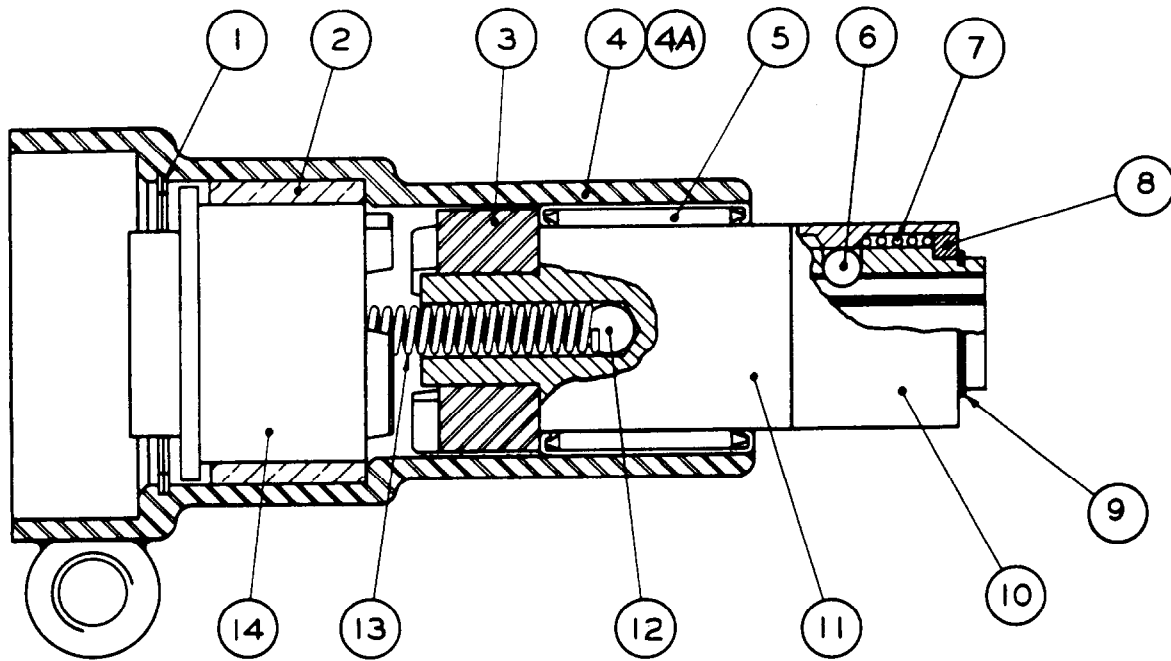
REVISED BUL 670-1 DATE May '68

Catalog No. 2930

Starting Serial No.

WIRING INSTR.

Both Model and Serial No. must be furnished to obtain correct parts.



### ILLUSTRATED PARTS

FIG.	PART NO.	DESCRIPTION OF PART	FIG.	PART NO.	DESCRIPTION OF PART
1	34-80-2800	Driving Jam Retaining Ring	8	45-88-0070	Collar Stop Washer
2	42-24-0080	Driving Jaw Bearing	9	34-60-1300	Collar Stop Washer Retaining Ring
3	43-90-0050	Chuck Jaw	10	42-76-0090	Bit Retaining Collar
4	45-22-0070	Sleeve	11	42-66-0165	Chuck Assembly
4a	14-75-0250	Sleeve Assy. (Incls. Items 2, 4 & Cap Scr.)	12	02-02-0250	1/4" Dia. Ball
5	02-50-6440	Needle Bearing	13	40-50-0900	Separating Spring
6	02-02-0180	3/16" Dia. Bit Retaining Ball	14	43-90-0060	Driving Jaw
7	40-50-1000	Collar Stop Spring			

### MISCELLANEOUS PARTS NOT SHOWN

PART NO.	DESCRIPTION OF PART	PART NO.	DESCRIPTION OF PART
48-30-3250	Bit and Finder	06-42-2000	Woodruff Key
48-30-3275	Bit and Finder	06-75-0500	3/8-16x1" Long Cap Screw
48-30-3300	Bit and Finder	49-96-4060	9/16" Open End Wrench
48-32-2070	Square Driver (For Sockets)	44-60-0190	Knock Out Pin
* 12-98-5910	Name Plate		