



SERVICE PARTS

BULLETIN NO.
54-05-0045

SPECIFY CATALOG NO. AND SERIAL NO. WHEN ORDERING PARTS		REVISED BULLETIN	DATE
M18™ HammerVAC™ Dust Extractor			Mar. 2021
CATALOG NO.	2912-DE	SERIAL NUMBER	L88A
			WIRING INSTRUCTION See Page 2

FIG.	PART NO.	DESCRIPTION OF PART	NO. REQ.
9-3	-----	Dust Box Cover	1
9-4	49-90-2306	Filter Assembly w/ Box	1
9-5	-----	Dust Box Support	1
9-6	-----	Dust Box Support Latch	1
9-7	06-82-1080	M3 Pan Hd. T-10 Screw	5
10	43-84-0026	Logo Panel	1
11	43-44-7085	Dust Box Gasket	1
12	-----	Elbow	1
13	42-38-0101	Rubber Bumper	1
15	42-92-0134	Latch Cover Support Side	1
16	-----	Steel Pin	2
17	-----	Latch Release Button	1
18	40-50-0127	Spring	1
19	45-88-2160	Washer	1
20	44-20-0086	Release Button	1
21-1	05-81-0542	M2.3 Pan Hd. Phillips Screw	2
21-2	-----	Filter Detector	1
21-3	40-50-8954	Spring	1
21-4	31-50-0122	Motor Housing Cover	1
21-5	45-30-0003	Rubber Isolator	8
21-6	-----	Solenoid Assembly	1
21-7	45-03-0012	Mesh Panel Assembly	1

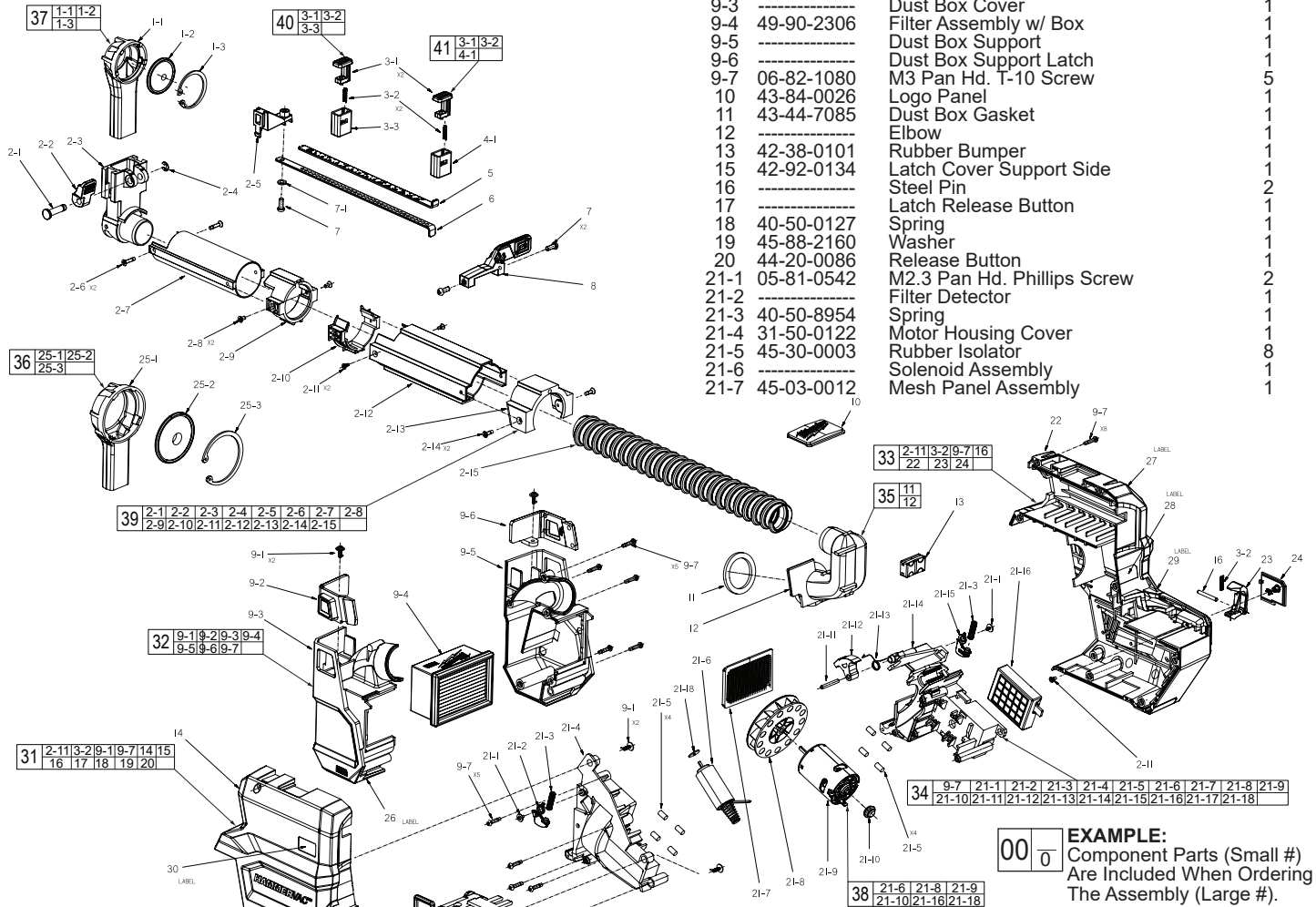


FIG.	PART NO.	DESCRIPTION OF PART	NO. REQ.
21-8	-----	Fan	1
21-9	-----	Motor	1
21-10	43-44-1500	Rubber Cap	1
21-11	44-60-5325	Pin	1
21-12	42-46-0030	Bell Crank	1
21-13	40-50-8951	Torsion Spring	1
21-14	31-50-0121	Motor Housing Support	1
21-15	-----	Filter Detector	1
21-16	-----	PCB Assembly	1
21-17	-----	Shrink Tube	1
21-18	-----	Cushion	1
22	-----	Housing Cover	1
23	-----	Latch Release Button	1
24	42-92-0132	Latch Cover	1
25-1	31-01-0212	Stop Bit Nozzle	1
25-2	43-31-0470	Hair Brush Stop	1
25-3	34-60-7080	Retaining Ring	1
26	10-20-5405	Warning Label Dust Box	1
27	12-20-0364	Service Nameplate	1
28	10-20-5404	Warning Label	1
29	10-20-5403	Warning Label	1
30	10-20-0209	OSHA Label	1
31	14-38-0138	Housing Support Assembly	1
32	49-90-2344	Dust Box Assembly	1
33	14-38-0141	Housing Cover Assembly	1
34	14-38-0136	Motor Housing and Electronics Assembly	1
35	31-05-0038	Dust Elbow Assembly	1
36	14-52-0110	Nozzle Assy. Stop bit (Accessory, Pack of 2)	1
37	14-52-0105	Nozzle Assy. Stan. (Accessory, Pack of 2)	1
38	14-20-0187	PCBA w/ Motor and Solenoid Assembly	1
39	45-76-0146	Tube Assembly	1
40	42-42-3077	Front Depth Stop Assembly	1
41	42-42-3078	Back Depth Stop Assembly	1

FIG.	PART NO.	DESCRIPTION OF PART	NO. REQ.
1-1	31-01-0213	Nozzle	1
1-2	43-31-0475	Hair Brush (Pack of 2)	1
1-3	34-60-0995	Retaining Ring	1
2-1	44-60-5320	Pin	1
2-2	31-52-0130	Carrier Lever	1
2-3	31-12-0201	Nozzle Base	1
2-4	34-60-0770	E-Ring	1
2-5	42-36-0068	Depth Stop Front Latch	1
2-6	06-82-1085	M3 FH Screw	2
2-7	-----	Front Tube	1
2-8	05-80-0025	M3 x 0.5 FH T-10 Screw	2
2-9	-----	Rear Bushing	1
2-10	-----	Front Bushing	1
2-11	05-88-0023	M2.6 FH Phillips Screw	2
2-12	-----	Rear Tube	1
2-13	-----	Rear Bushing for AL Tube	1
2-14	06-82-0010	M3 FH Screw	2
2-15	45-76-0068	Spring Tube	1
3-1	42-42-3076	Depth Button	1
3-2	40-50-8952	Compression Spring	1
3-3	42-30-0170	Front Depth Body	1
4-1	42-30-0155	Depth Body	1
5	44-66-0178	Ruler	1
6	44-66-0176	Depth Plate	1
7	06-82-0217	M4 x 10mm Pan Hd. Screw	3
7-1	05-90-0013	Washer	1
8	42-36-0066	Back Depth Stop	1
9-1	05-88-0030	M3 Pan Hd. T-10 Screw	2
9-2	-----	Dust Box Latch	1

EXAMPLE:
Component Parts (Small #)
Are Included When Ordering
The Assembly (Large #).

WIRING DIAGRAM

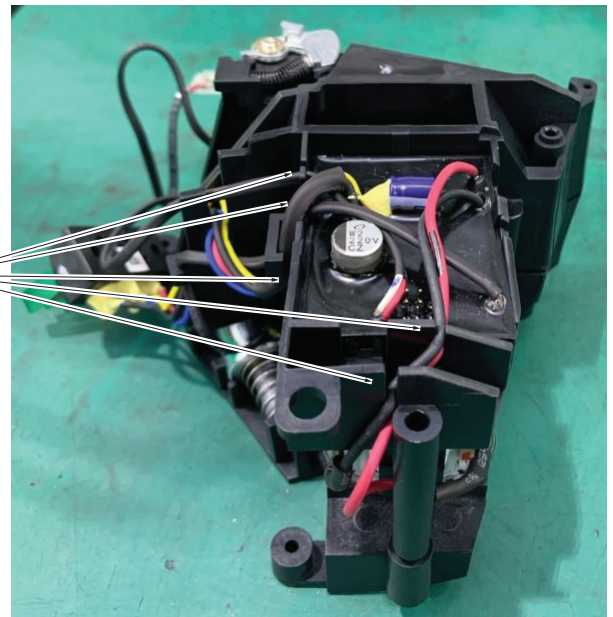
AS AN AID TO REASSEMBLY, TAKE NOTICE OF WIRE ROUTING AND POSITION IN WIRE GUIDES AND TRAPS WHILE DISMANTLING TOOL.

BE SURE THAT ALL COMPONENTS OF THE ELECTRONICS KIT ARE SEATED FIRMLY AND SQUARELY IN THE HOUSING RECESSES.

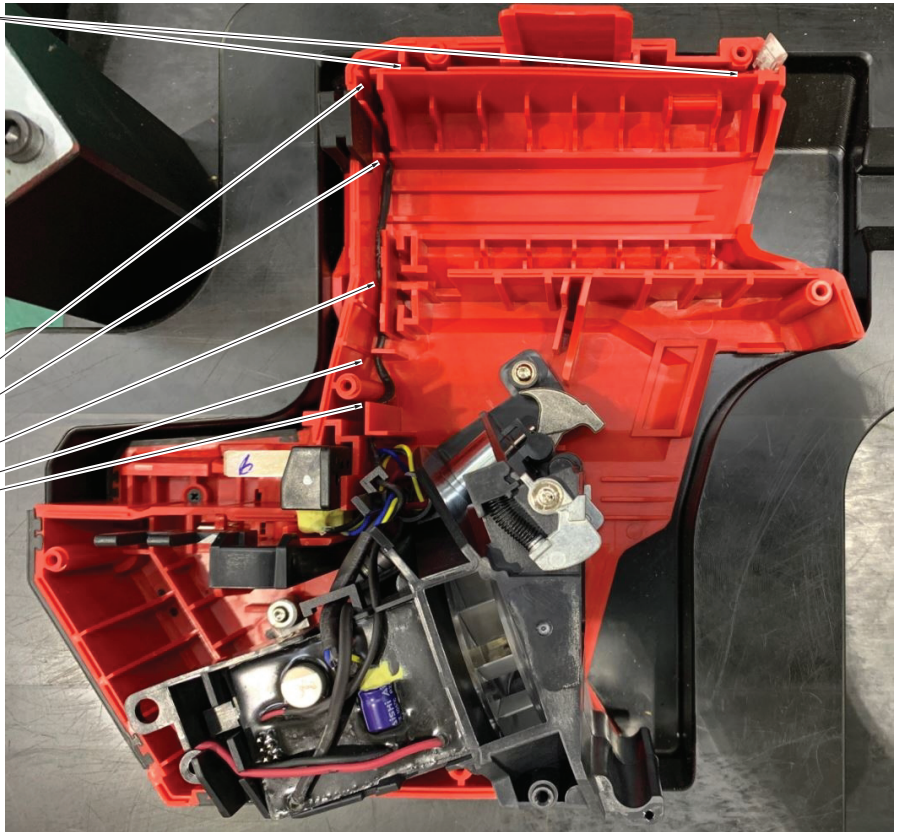
AVOID PINCHED WIRES, BE SURE THAT ALL WIRES AND SLEEVES ARE PRESSED COMPLETELY DOWN IN WIRE GUIDES AND TRAPS.

PRIOR TO INSTALLING THE HOUSING COVER ONTO THE HOUSING SUPPORT, BE SURE THAT THERE ARE NO INTERFERENCES.

Wire Traps or Channels



Wire Traps or Channels



Wire Traps or Channels

SCREW TORQUE SPECIFICATIONS

FIG.	PART NO.	WHERE USED	SEAT TORQUE	
			(KG/CM)	(IN/LBS)
2-6	06-82-1085	Front AI Tube	7	5
2-8	05-80-0025	Tube Assembly	3	2
2-11	05-88-0023	Rear AI Tube	2	1
2-14	06-82-0010	Tube Asseby	5	3
7	06-82-0217	Back Depth Stop	9	7
9-1	05-88-0030	Dust Box Assembly	5	3
9-1	05-88-0030	Dust Box Assembly	5	3
9-7	06-82-1080	Dust Box Assembly	9	7
21-1	05-81-0542	Motor Sub Assembly	2	1