



# SERVICE PARTS LIST

BULLETIN NO.  
54-24-5110

SPECIFY CATALOG NO. AND SERIAL NO. WHEN ORDERING PARTS		REVISED BULLETIN	DATE
<b>M18™ Mid-Range Brushless Hammer-Drill</b>			May 2018
CATALOG NO.	<b>2902-20</b>	WIRING INSTRUCTION <b>SEE PAGE 2</b>	
STARTING SERIAL NO.	<b>J91A</b>		

**EXAMPLE:**  

00	0
----	---

 Component Parts (Small #) Are Included When Ordering The Assembly (Large #).

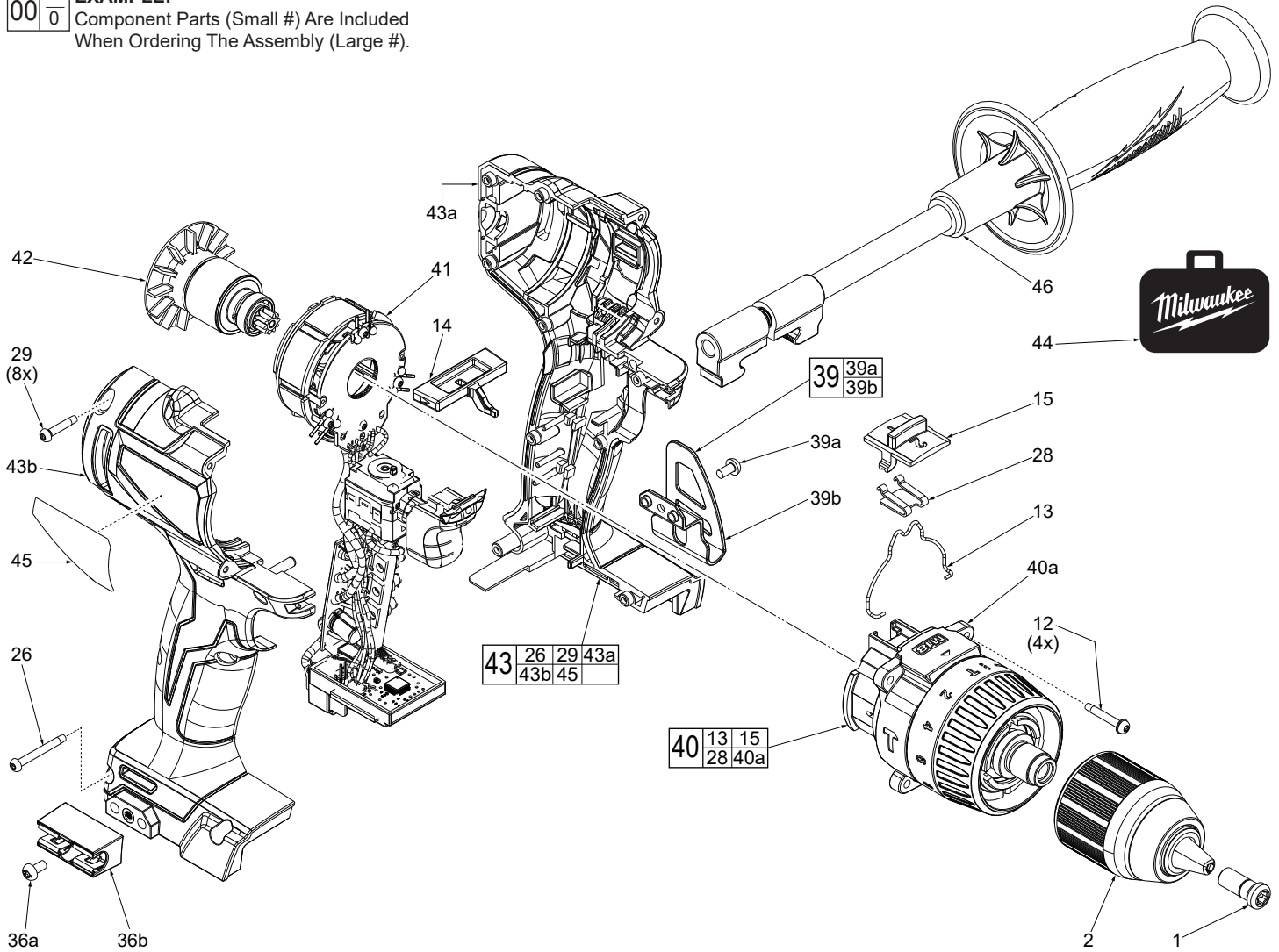
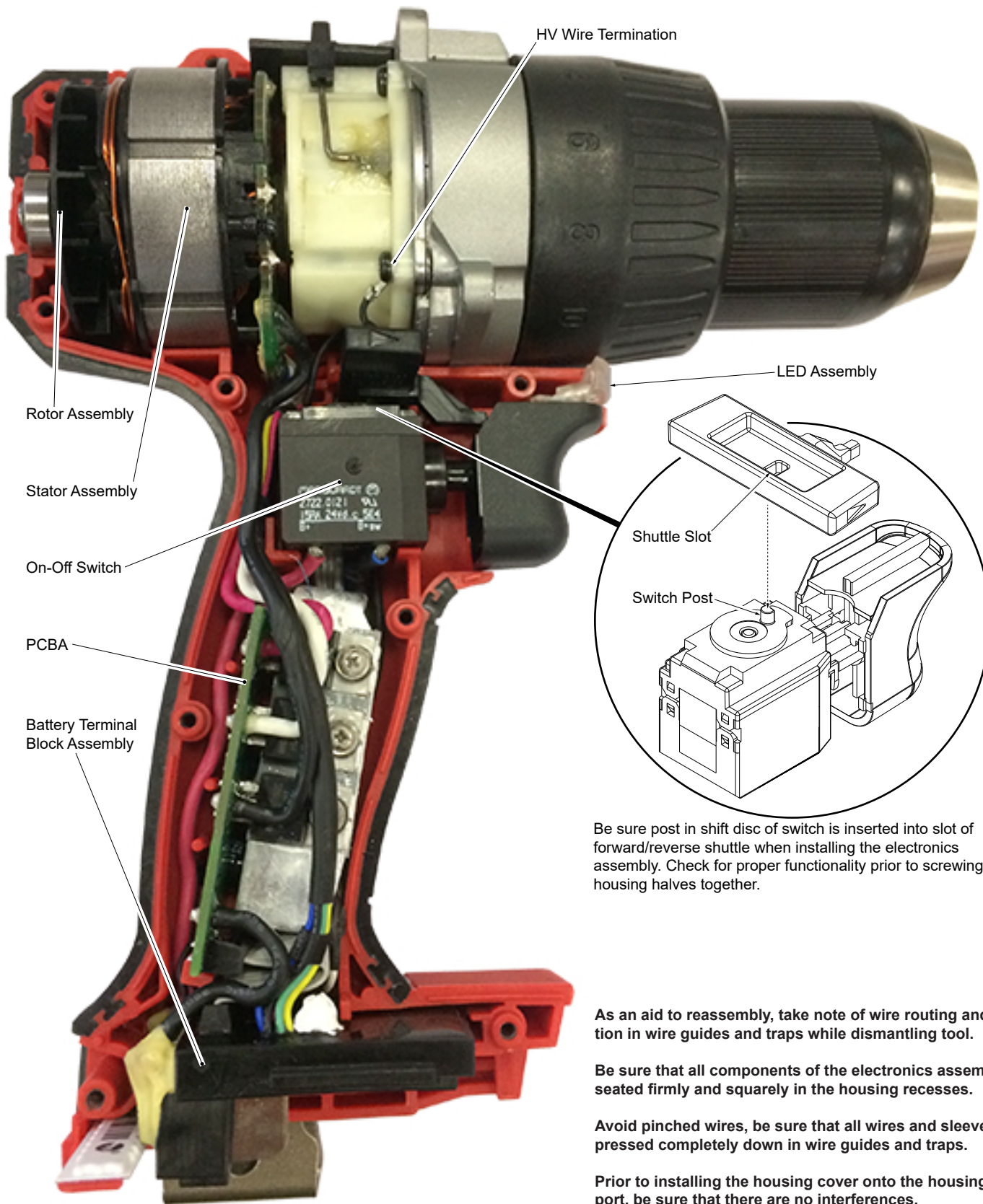


FIG.	PART NO.	DESCRIPTION OF PART	NO. REQ.
1	05-88-0019	M8.0 x 1 LH T-40 Chuck Screw	(1)
2	42-66-2900	1/2" Keyless Chuck	(1)
12	06-82-7337	M4 x 20mm Pan Hd. ST T-10 Scr. w/Washer	(4)
13	45-24-0012	Speed Change Lever	(1)
14	42-42-7001	Forward / Reverse Shuttle	(1)
15	44-10-4003	Speed Selector	(1)
26	06-82-5315	M3 x 26mm Pan Hd. ST T-10 Screw	(1)
28	40-50-0021	Speed Selector Detent Spring	(1)
29	06-82-6351	M3 x 16mm Pan Hd. ST T-10 Screw	(8)
36a	06-82-2500	6-32 x 7mm Pan Hd T-15 Screw (Optional)	(1)
36b	43-72-0550	Bit Holder (Optional)	(1)
39	42-70-0950	Belt Clip Kit	(1)
39a	06-82-2500	6-32 x 7mm Pan Hd T-15 Screw	(1)
39b	-----	Belt Clip	(1)
40	14-29-9001	Gearbox Assembly	(1)
40a	-----	Gearbox	(1)
41	14-20-2002	Electronics Assembly	(1)
42	16-07-1001	Rotor Assembly	(1)
43	31-44-2001	Handle Assembly	(1)
43a	-----	Housing Support - Left Halve	(1)
43b	-----	Housing Cover - Right Halve	(1)
44	42-55-5015	Blow Molded Carrying Case	(1)
45	12-20-0128	Service Nameplate	(1)
46	42-62-0012	Side Handle Assembly	(1)

SCREW TORQUE SPECIFICATIONS				
FIG.	PART NO.	WHERE USED	SEAT TORQUE	
			(KG/CM)	(IN/LBS)
1	05-88-0019	Gearbox Spindle	461±29	400±25
2	42-66-2900	Gearbox Spindle	1095±58	950±50
12	06-82-7337	Gearbox	10±1	8±1
26	06-82-5315	Right Housing Halve	10±1	8±1
29	06-82-6351	Right Housing Halve	10±1	8±1
36a	06-82-2500	Belt Clip	14±1	12±1
39a	06-82-2500	Belt Clip	14±1	12±1



Rotor Assembly

Stator Assembly

On-Off Switch

PCBA

Battery Terminal Block Assembly

HV Wire Termination

LED Assembly

Shuttle Slot

Switch Post

Be sure post in shift disc of switch is inserted into slot of forward/reverse shuttle when installing the electronics assembly. Check for proper functionality prior to screwing housing halves together.

As an aid to reassembly, take note of wire routing and position in wire guides and traps while dismantling tool.

Be sure that all components of the electronics assembly are seated firmly and squarely in the housing recesses.

Avoid pinched wires, be sure that all wires and sleeves are pressed completely down in wire guides and traps.

Prior to installing the housing cover onto the housing support, be sure that there are no interferences.